



US00D776634S

(12) **United States Design Patent**
Lee et al.

(10) **Patent No.:** **US D776,634 S**
(45) **Date of Patent:** **** Jan. 17, 2017**

- (54) **PORTABLE EARSET CASE**
- (71) Applicant: **LG ELECTRONICS INC.**, Seoul (KR)
- (72) Inventors: **Sungho Lee**, Seoul (KR); **Joonhyung Kim**, Seoul (KR); **Kyubong Choi**, Seoul (KR)
- (73) Assignee: **LG ELECTRONICS INC.**, Seoul (KR)
- (**) Term: **15 Years**
- (21) Appl. No.: **29/535,148**
- (22) Filed: **Aug. 4, 2015**
- (30) **Foreign Application Priority Data**
Feb. 5, 2015 (KR) 30-2015-0006447
- (51) **LOC (10) Cl.** **14-01**
- (52) **U.S. Cl.**
USPC **D14/205**; D14/217
- (58) **Field of Classification Search**
USPC D14/205, 223, 496, 217; D3/218, 303; 206/305, 320; 181/129, 130, 135; 379/430, 379/431; 381/380, 381; 455/90.1, 575.2
CPC H04R 1/10; H04R 25/00; B65D 85/00
See application file for complete search history.

- (56) **References Cited**
U.S. PATENT DOCUMENTS
2,727,241 A * 12/1955 Smith A41D 13/081 2/66
2,785,321 A * 3/1957 Imler H03H 9/0528 310/344
3,197,576 A * 7/1965 Martin H04R 25/65 381/322
3,312,789 A * 4/1967 Lewis H04R 25/456 381/322
D208,784 S * 10/1967 Sanzone D24/174

- D213,109 S * 1/1969 Young D24/174
- 3,977,516 A * 8/1976 Tilve A45C 11/04 206/5
- D301,771 S * 6/1989 Bakic D28/76
- D307,673 S * 5/1990 Brown 224/240
- 5,179,501 A * 1/1993 Ocken H05K 1/0278 174/254
- 5,410,608 A * 4/1995 Lucey H04R 1/083 381/360
- 5,511,704 A * 4/1996 Linderer A45F 5/02 224/240
- 5,568,006 A * 10/1996 Luff H03H 9/1021 310/340
- 5,748,743 A * 5/1998 Weeks H04R 25/654 381/312
- 5,781,638 A * 7/1998 Hosaka H04R 1/1016 381/322

(Continued)

Primary Examiner — Paula Greene
(74) *Attorney, Agent, or Firm* — Birch, Stewart, Kolasch & Birch, LLP

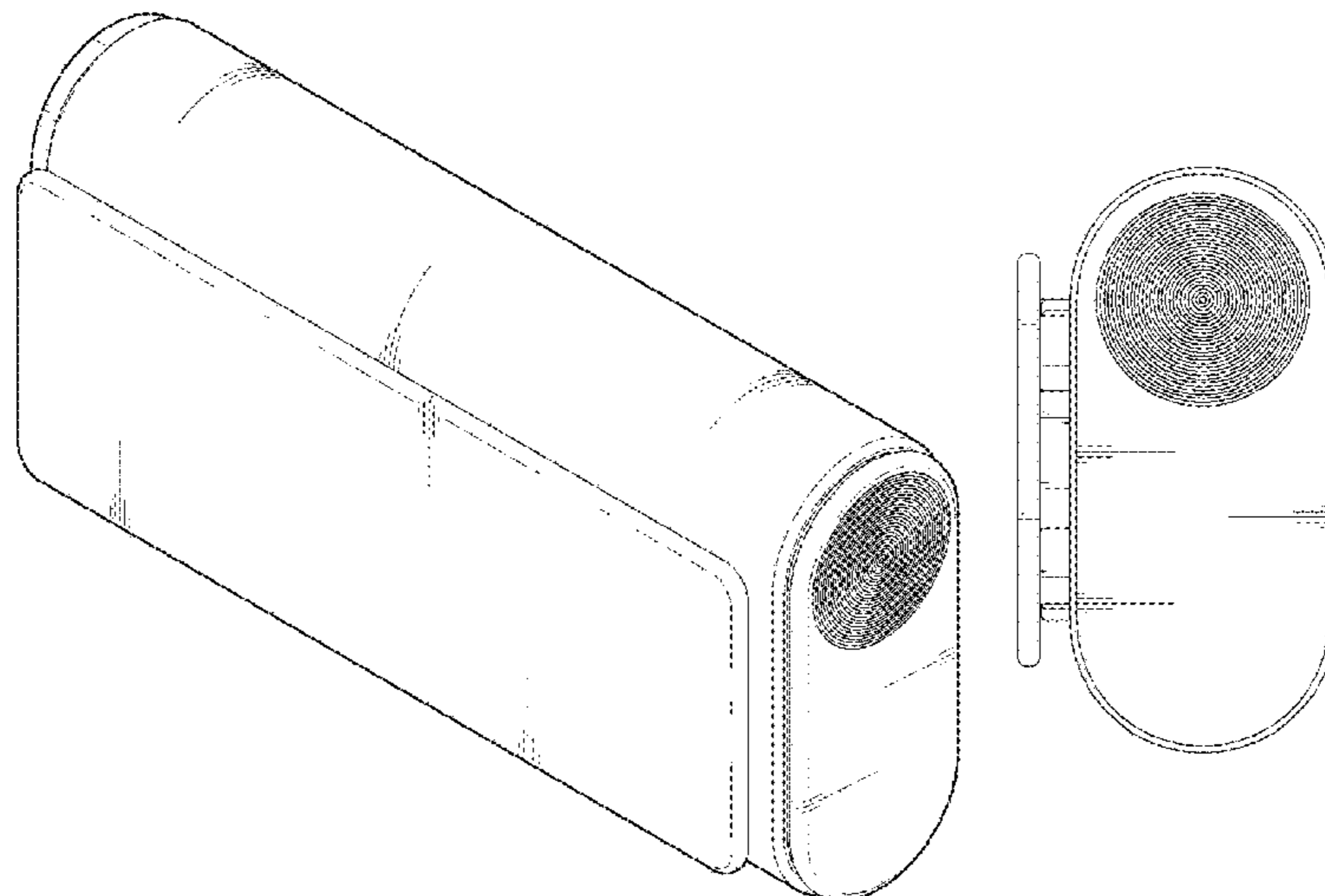
(57) **CLAIM**

The ornamental design for a portable earset ease, as shown and described.

DESCRIPTION

FIG. 1 is a perspective view of the portable earset case showing our new design;
FIG. 2 is a front view thereof;
FIG. 3 is a rear view thereof;
FIG. 4 is a left side view thereof;
FIG. 5 is a right side view thereof;
FIG. 6 is a top plan view thereof where the bottom plan view is a mirror image; and,
FIG. 7 is a perspective view showing the state that both earsets are detached from the subject design.
The broken lines in FIG. 7 show environmental structure only and form no part of the claimed design.

1 Claim, 5 Drawing Sheets



(56)

References Cited

U.S. PATENT DOCUMENTS

| | | | | | | | | | |
|--------------|------|---------|-------------|-------|--------------|---------|--|--|--|
| 6,084,976 | A * | 7/2000 | Lin | | H04R 1/1016 | | | | |
| | | | | | | 181/129 | | | |
| D430,146 | S * | 8/2000 | Lin | | D14/223 | | | | |
| 6,161,695 | A * | 12/2000 | Nicolais | | A61F 2/0095 | | | | |
| | | | | | | 206/438 | | | |
| D446,499 | S * | 8/2001 | Andre | | D13/110 | | | | |
| D455,835 | S * | 4/2002 | Anderson | | D24/174 | | | | |
| 6,396,769 | B1 * | 5/2002 | Polany | | H04R 1/44 | | | | |
| | | | | | | 367/131 | | | |
| D471,898 | S * | 3/2003 | Bae | | D14/205 | | | | |
| 6,574,345 | B1 * | 6/2003 | Huang | | H04R 1/1016 | | | | |
| | | | | | | 379/430 | | | |
| D479,834 | S * | 9/2003 | Salazar | | D14/205 | | | | |
| 6,668,064 | B1 * | 12/2003 | Lin | | H04R 1/1016 | | | | |
| | | | | | | 381/328 | | | |
| 6,669,017 | B2 * | 12/2003 | Linihan | | G07C 9/00944 | | | | |
| | | | | | | 206/305 | | | |
| D487,077 | S * | 2/2004 | Obata | | D14/223 | | | | |
| 6,760,459 | B2 * | 7/2004 | Bae | | H04R 1/1025 | | | | |
| | | | | | | 379/430 | | | |
| D506,744 | S * | 6/2005 | Andre | | D14/205 | | | | |
| D510,337 | S * | 10/2005 | Tages | | D14/205 | | | | |
| D512,049 | S * | 11/2005 | Yang | | D14/205 | | | | |
| D514,551 | S * | 2/2006 | Lee | | D14/205 | | | | |
| D516,058 | S * | 2/2006 | Garcia | | D14/205 | | | | |
| D517,054 | S * | 3/2006 | Yang | | D14/205 | | | | |
| 7,031,485 | B2 * | 4/2006 | Webber | | H04R 1/105 | | | | |
| | | | | | | 381/328 | | | |
| 7,079,664 | B2 * | 7/2006 | Nassimi | | H04R 25/558 | | | | |
| | | | | | | 381/328 | | | |
| D531,169 | S * | 10/2006 | Tokioka | | D14/223 | | | | |
| D538,271 | S * | 3/2007 | Kim | | D14/223 | | | | |
| D550,200 | S * | 9/2007 | Drambarean | | D14/205 | | | | |
| D550,657 | S * | 9/2007 | Gan | | D14/223 | | | | |
| D552,087 | S * | 10/2007 | Wei | | D14/223 | | | | |
| D552,603 | S * | 10/2007 | Tierney | | D14/155 | | | | |
| D554,109 | S * | 10/2007 | Ledbetter | | D14/223 | | | | |
| D555,151 | S * | 11/2007 | Eklund | | D14/223 | | | | |
| D555,152 | S * | 11/2007 | Wang | | D14/223 | | | | |
| D562,309 | S * | 2/2008 | Choi | | D14/223 | | | | |
| D566,099 | S * | 4/2008 | Komiyama | | D14/206 | | | | |
| D566,105 | S * | 4/2008 | Yang | | D14/223 | | | | |
| D581,396 | S * | 11/2008 | Wikel | | D14/206 | | | | |
| D583,804 | S * | 12/2008 | Mahler | | D14/223 | | | | |
| D603,377 | S * | 11/2009 | Chung | | D14/223 | | | | |
| D603,378 | S * | 11/2009 | Paradise | | D14/223 | | | | |
| 7,639,825 | B2 * | 12/2009 | Fukuda | | H04M 1/03 | | | | |
| | | | | | | 381/151 | | | |
| D608,766 | S * | 1/2010 | Brickstad | | D14/223 | | | | |
| D620,927 | S * | 8/2010 | Li | | D14/223 | | | | |
| D626,117 | S * | 10/2010 | Lowry | | D14/223 | | | | |
| D626,552 | S * | 11/2010 | Andre | | D14/341 | | | | |
| D635,763 | S * | 4/2011 | Fahrendorff | | D3/218 | | | | |
| D637,184 | S * | 5/2011 | March | | D14/223 | | | | |
| D641,738 | S * | 7/2011 | Perez | | D14/223 | | | | |
| D649,957 | S * | 12/2011 | Fahrendorff | | D14/223 | | | | |
| D651,216 | S * | 12/2011 | Pail | | D14/203.3 | | | | |
| D666,996 | S * | 9/2012 | Hardi | | D14/223 | | | | |
| D671,531 | S * | 11/2012 | Kim | | D14/223 | | | | |
| D673,140 | S * | 12/2012 | Kelly | | D14/223 | | | | |
| D687,417 | S * | 8/2013 | Koss | | D14/223 | | | | |
| D691,636 | S * | 10/2013 | Bunton | | D14/496 | | | | |
| D695,007 | S * | 12/2013 | Zhang | | D3/218 | | | | |
| D705,758 | S * | 5/2014 | Drambarean | | D14/223 | | | | |
| D705,760 | S * | 5/2014 | Drambarean | | D14/223 | | | | |
| D707,659 | S * | 6/2014 | Henning | | D14/223 | | | | |
| D711,858 | S * | 8/2014 | Yang | | D14/223 | | | | |
| D715,536 | S * | 10/2014 | Basmaji | | D3/218 | | | | |
| D725,635 | S * | 3/2015 | Burgett | | D14/223 | | | | |
| D747,702 | S * | 1/2016 | Breines | | D14/223 | | | | |
| D756,105 | S * | 5/2016 | Zhang | | D3/218 | | | | |
| D757,424 | S * | 5/2016 | Phillips | | D3/218 | | | | |
| 2006/0126882 | A1 * | 6/2006 | Deng | | H04R 1/1033 | | | | |
| | | | | | | 381/381 | | | |
| 2009/0304220 | A1 * | 12/2009 | Fujikura | | H04R 1/1091 | | | | |
| | | | | | | 381/380 | | | |
| 2012/0325701 | A1 * | 12/2012 | Debitzky | | H04R 1/1033 | | | | |
| | | | | | | 206/320 | | | |

* cited by examiner

FIG. 1

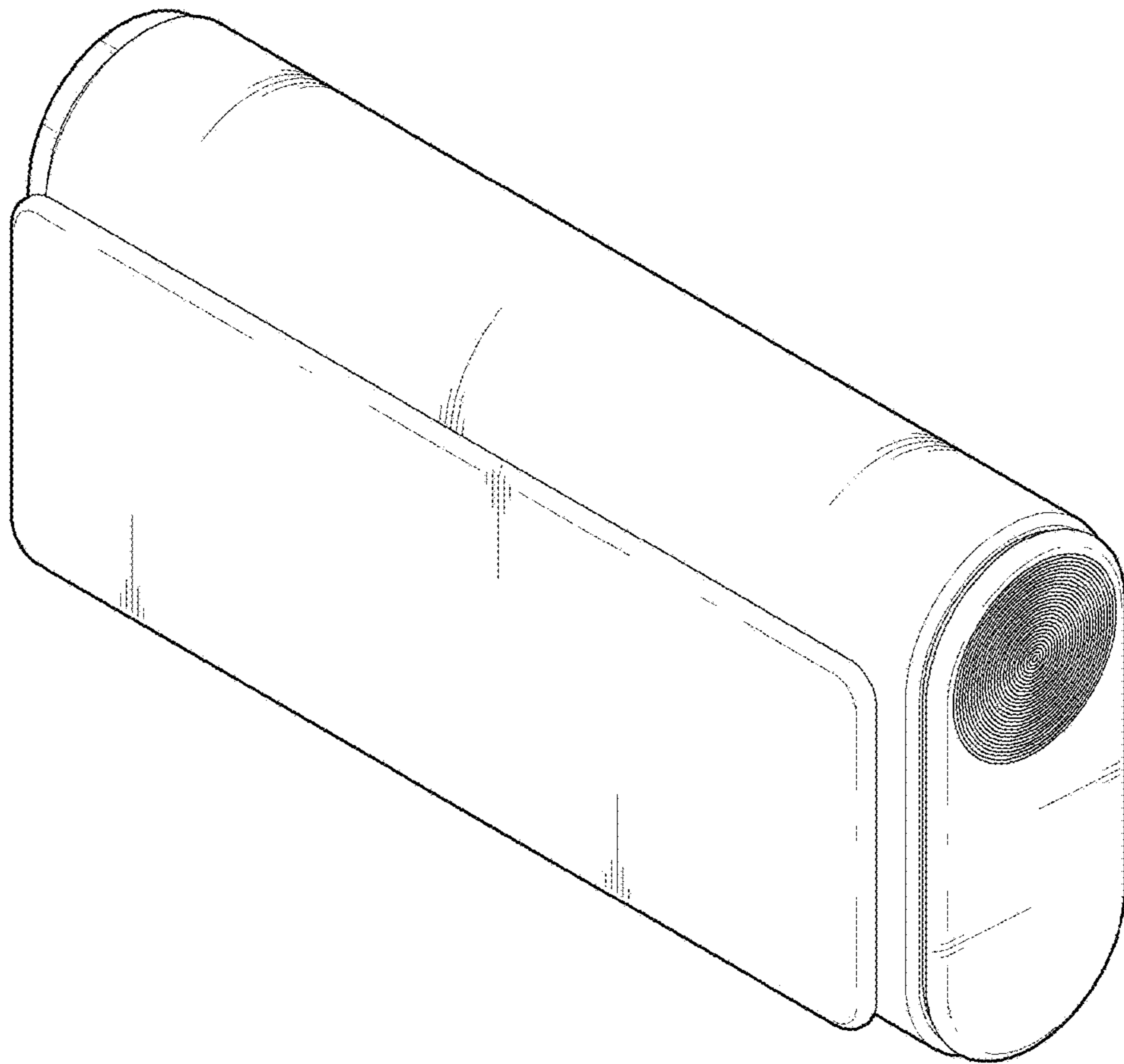


FIG. 2

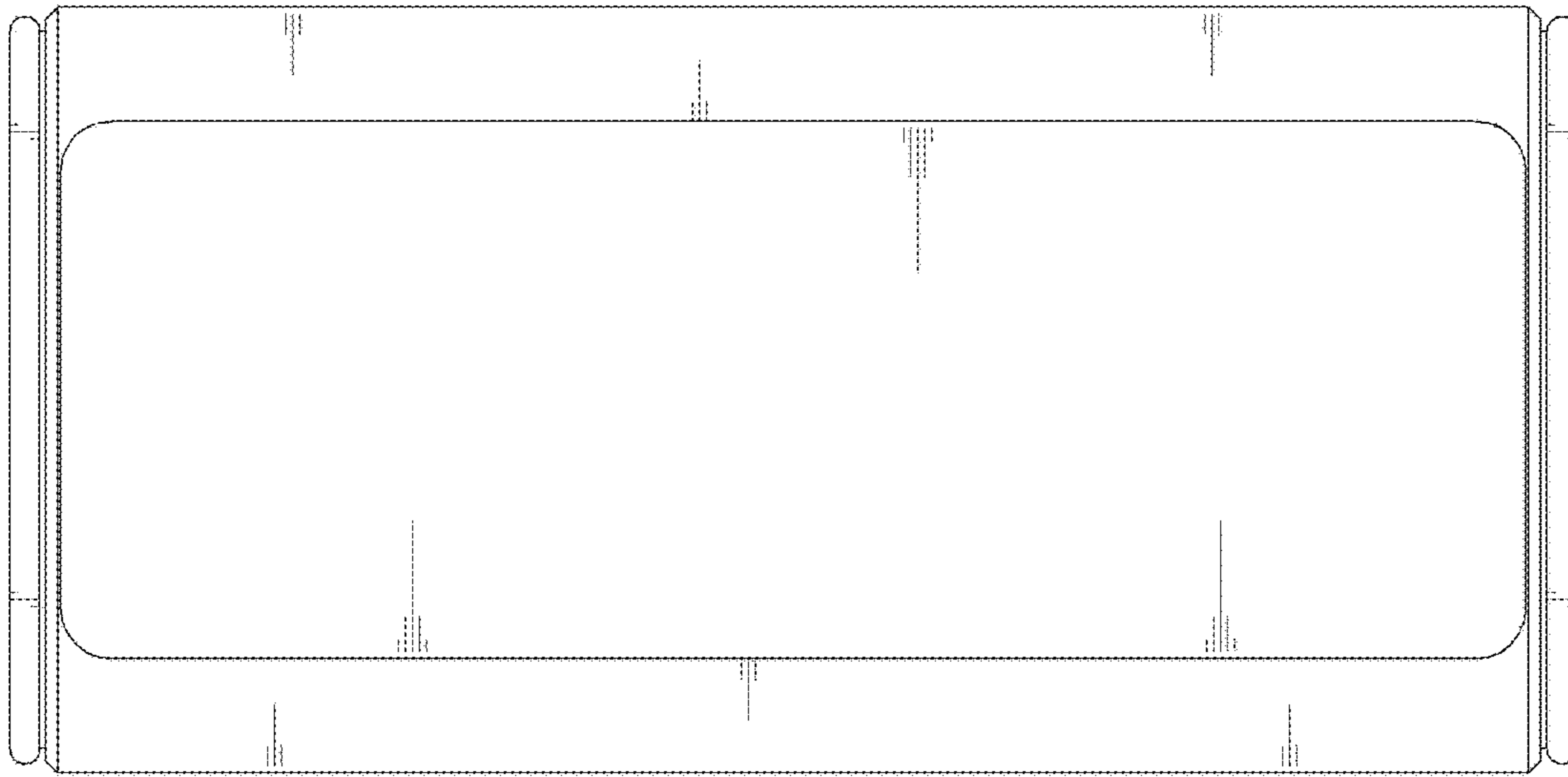


FIG. 3

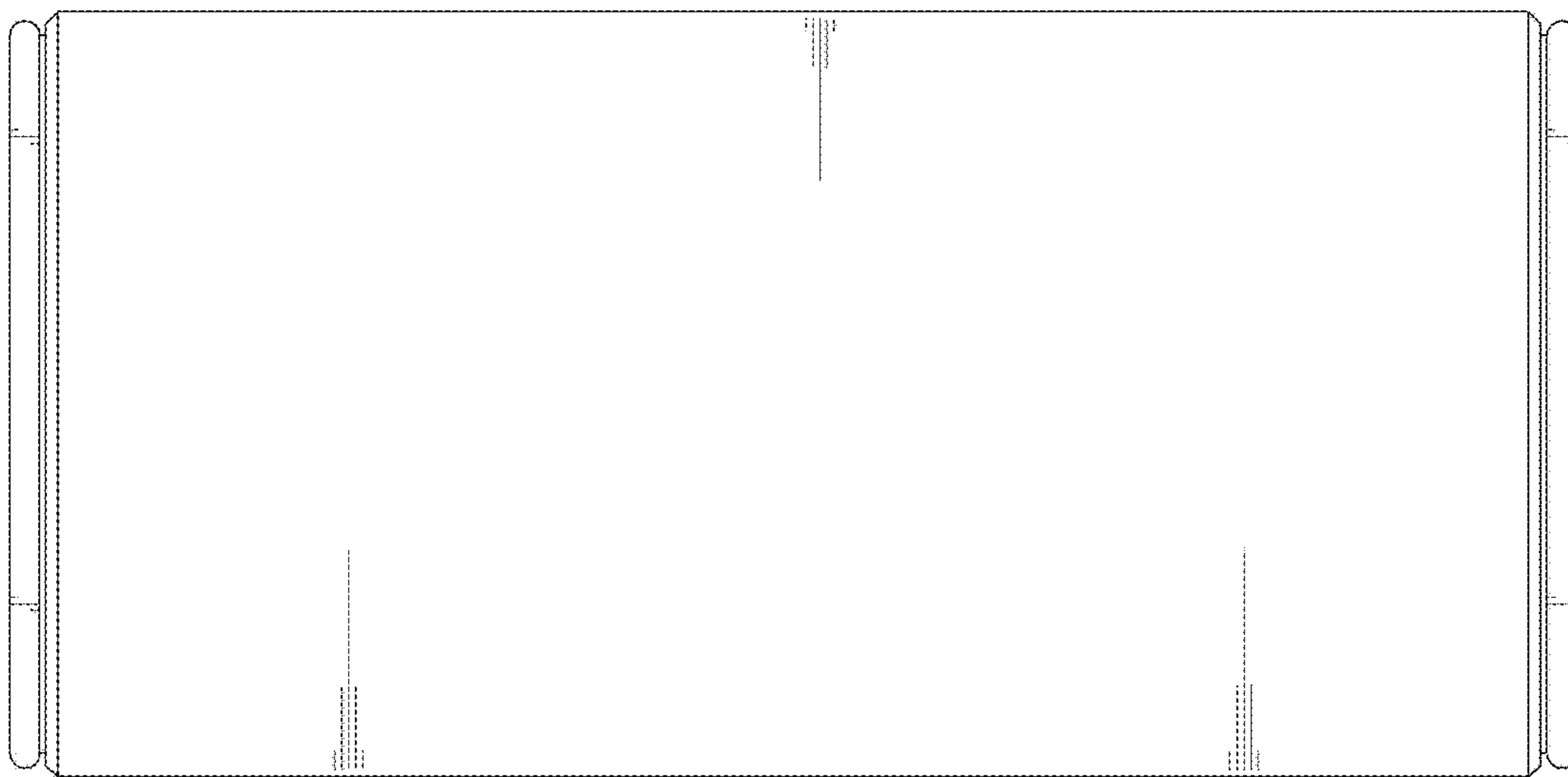


FIG. 4

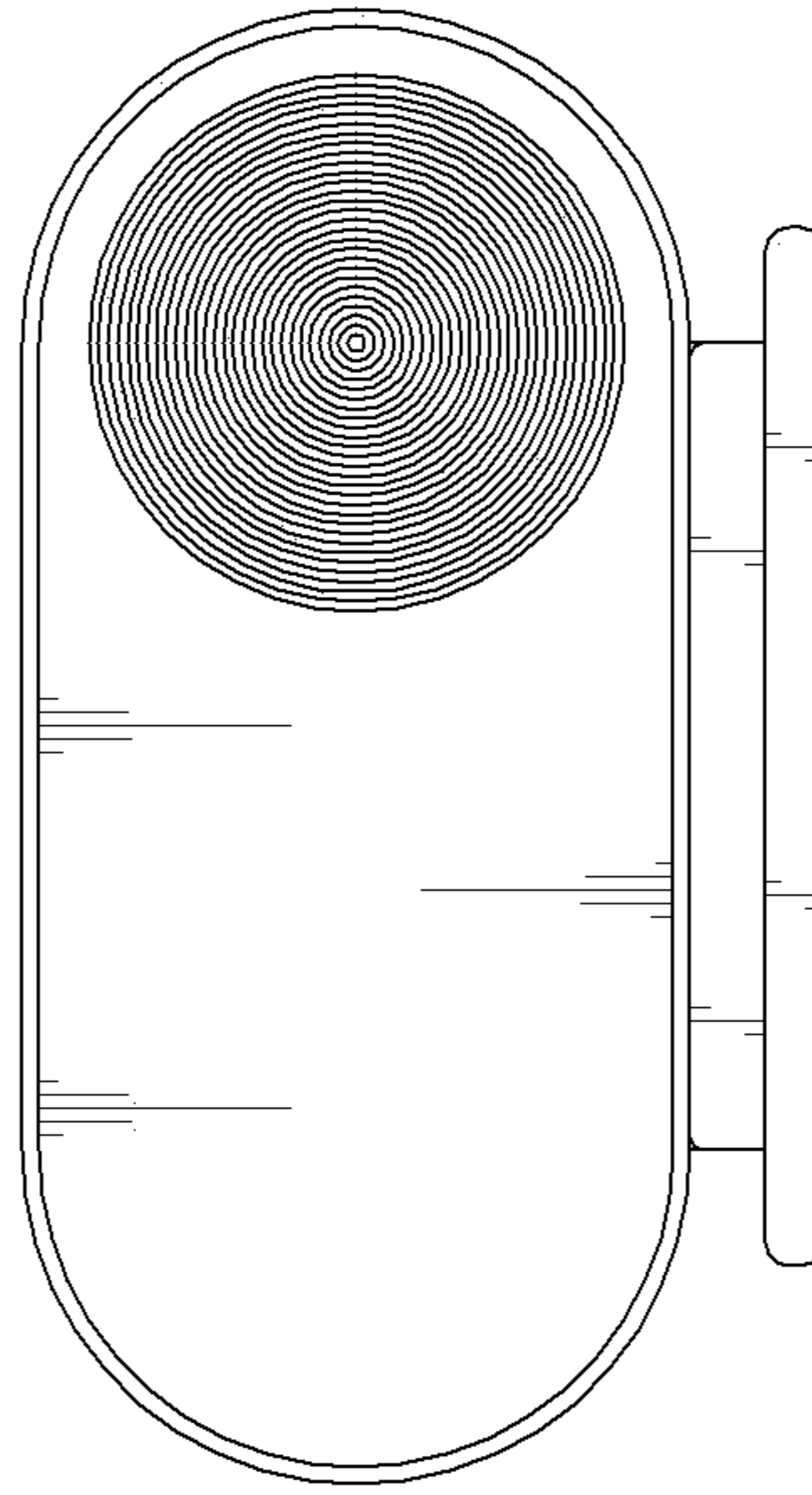


FIG. 5

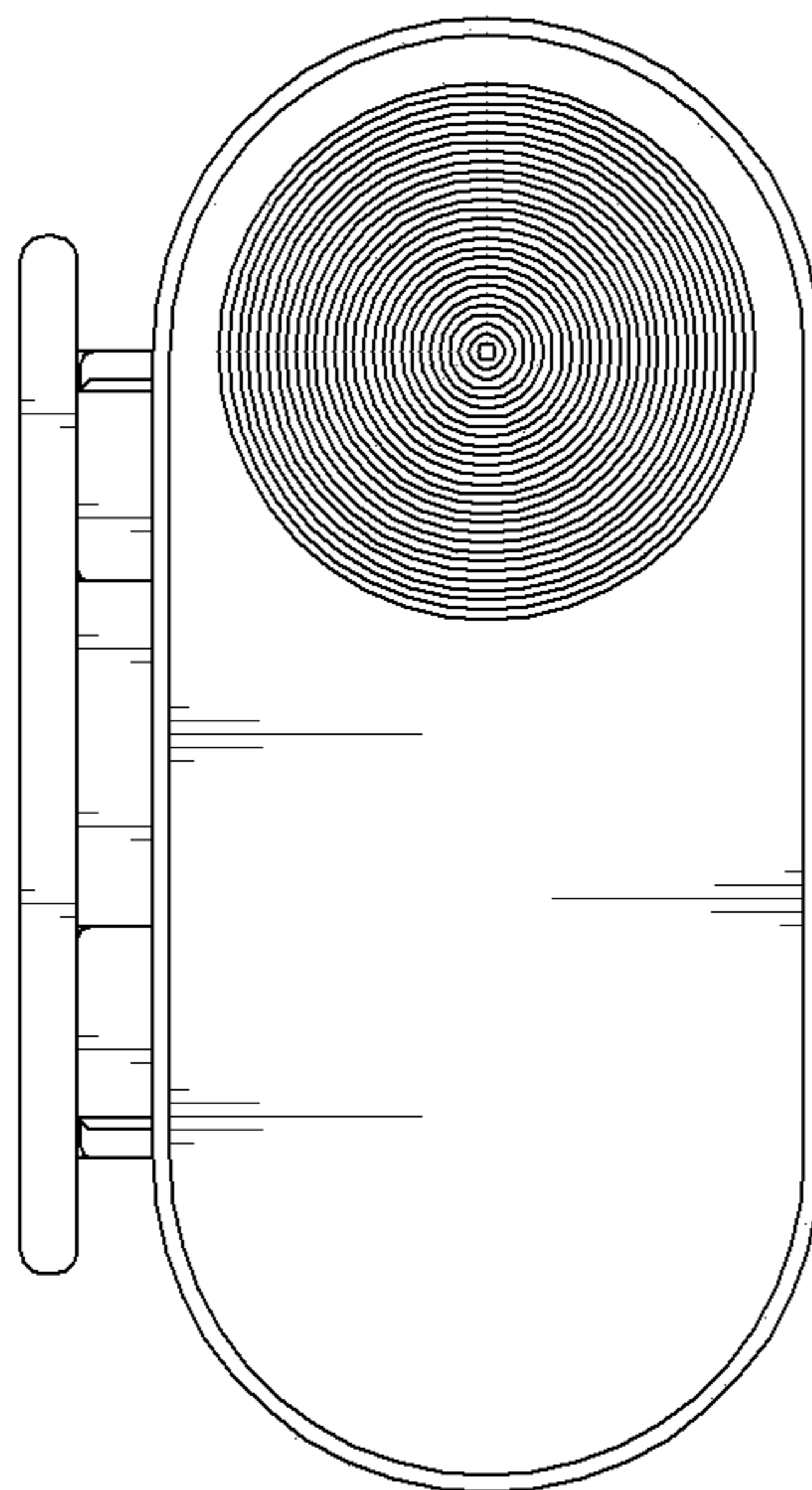


FIG. 6

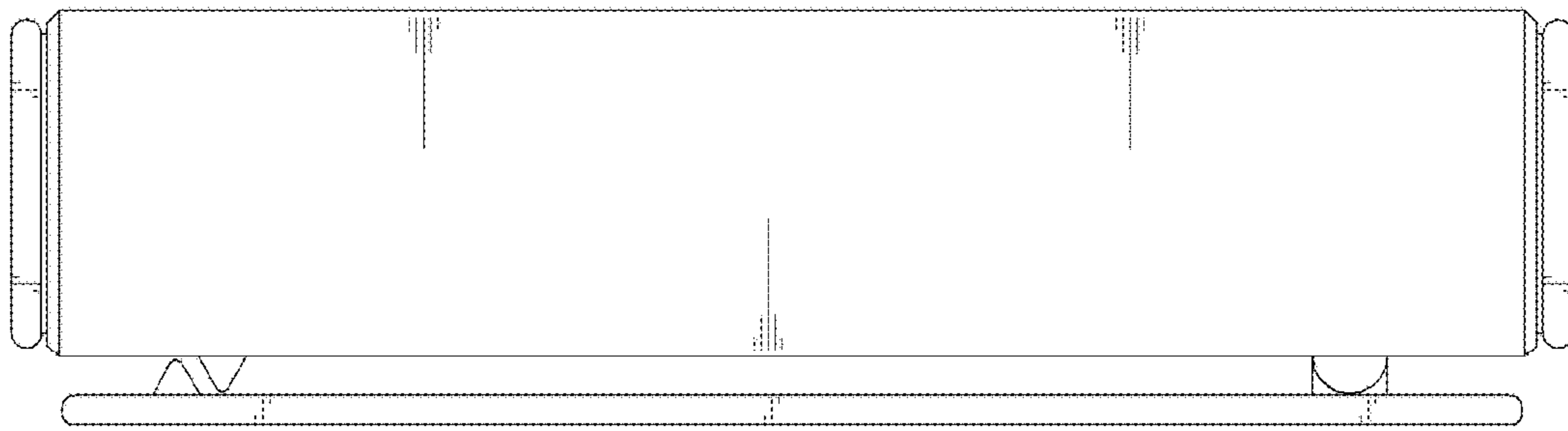


FIG. 7

