



US00D776632S

(12) **United States Design Patent**
Kwak et al.

(10) **Patent No.:** **US D776,632 S**
(45) **Date of Patent:** **** Jan. 17, 2017**

(54) **MOBILE TERMINAL**

(71) Applicant: **Samsung Electronics Co., Ltd.**,
Suwon-si (KR)

(72) Inventors: **Ji-Yeon Kwak**, Seoul (KR); **Hyun-Jin Kim**, Seoul (KR); **Hae-Yoon Park**, Seoul (KR); **Ki-O Lee**, Seoul (KR)

(73) Assignee: **Samsung Electronics Co., Ltd.**,
Suwon-si (KR)

(**) Term: **14 Years**

(21) Appl. No.: **29/506,221**

(22) Filed: **Oct. 14, 2014**

(30) **Foreign Application Priority Data**

Apr. 15, 2014 (KR) 30-2014-0018996

(51) **LOC (10) Cl.** **14-03**

(52) **U.S. Cl.**
USPC **D14/138 AB; D14/345**

(58) **Field of Classification Search**
USPC D14/138 AA, 138 AB, 138 AD, 138 G,
D14/138 R, 341, 345, 203.7, 248, 496,
D14/344; D10/65; 361/679.27; D27/186;
D3/218
CPC G06F 1/1652; G06F 1/1616; G06F 1/1618;
G06F 1/1624; H04M 1/0222; H04M
1/0254; H04M 1/0256
See application file for complete search history.

(56) **References Cited**

U.S. PATENT DOCUMENTS

D566,089 S * 4/2008 Kim D14/138 AD
D576,601 S * 9/2008 Yasuda D14/138 AB
D582,878 S * 12/2008 Kimura D14/138 AD
D603,821 S * 11/2009 Hansen D14/138 AD
D606,993 S * 12/2009 Watson D14/341
D619,990 S * 7/2010 Lai D14/138 AD
D626,930 S * 11/2010 Katsunuma D14/138 AD

D658,173 S * 4/2012 Kim D14/345
D665,807 S * 8/2012 Ferrari D14/248
D681,033 S * 4/2013 Chen D14/345
D713,811 S * 9/2014 Isaacs D14/138 AA
(Continued)

OTHER PUBLICATIONS

Samsung, Foldable Phone, as posted at Concept Phones [online],
posted on Sep. 18, 2015 [site visited Jul. 28, 2016] Available from
the Internet, <URL: <http://www.concept-phones.com/samsung/samsung-foldable-phone-coming-year-supposedly/>>.*

(Continued)

Primary Examiner — Jeffrey D Asch
Assistant Examiner — Rebekah A Caruso
(74) *Attorney, Agent, or Firm* — NSIP Law

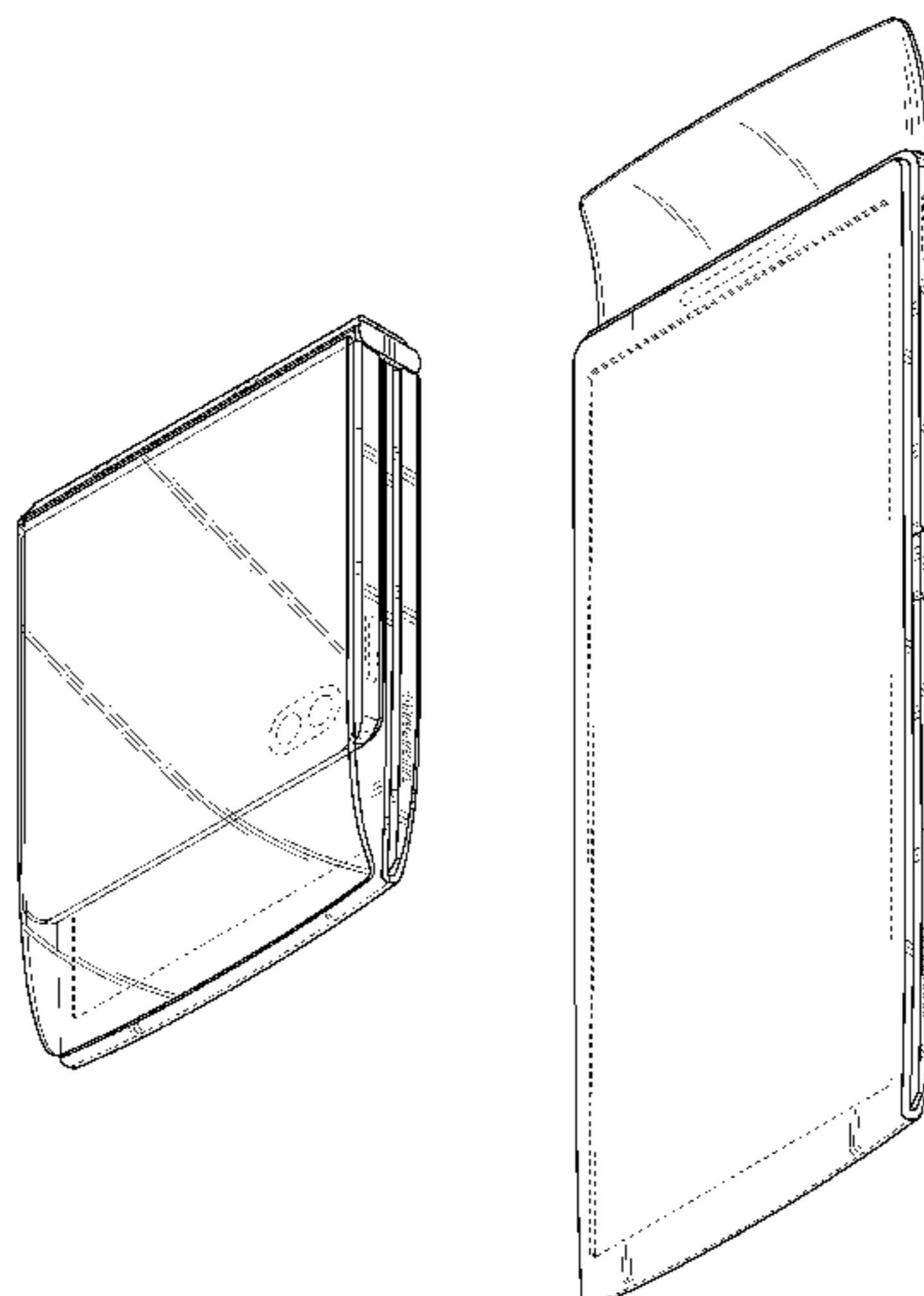
(57) **CLAIM**

We claim the ornamental design for a mobile terminal, as
shown and described.

DESCRIPTION

FIG. 1 is a front perspective view of a mobile terminal
showing our new design;
FIG. 2 is a front view thereof;
FIG. 3 is a rear view thereof;
FIG. 4 is a left-side view thereof;
FIG. 5 is a right-side view thereof;
FIG. 6 is a top view thereof;
FIG. 7 is a bottom view thereof; and,
FIG. 8 is a rear perspective view thereof, in which the
mobile terminal is shown in an open position.
The broken lines shown in the figures that are immediately
adjacent to the shaded areas and define unshaded regions
represent the bounds of the claim. All other broken lines,
including the features within broken line boundaries and the
line across the bottom of the rear flap, are directed to
environment. The broken lines form no part of the claimed
design.

1 Claim, 6 Drawing Sheets



(56)

References Cited

U.S. PATENT DOCUMENTS

D715,758 S * 10/2014 Yun D14/138 R
 D715,759 S * 10/2014 Choi D14/138 AB
 D716,247 S * 10/2014 Yun D10/32
 D717,261 S * 11/2014 Yun D14/138 R
 D736,751 S * 8/2015 Lee D14/248
 D736,756 S * 8/2015 Ju D14/248
 D749,576 S * 2/2016 Park D14/203.4
 9,250,733 B2 * 2/2016 Lee H04M 1/02
 9,298,221 B2 * 3/2016 Choi G06F 1/1677
 D754,657 S * 4/2016 Kim D14/345
 2014/0226275 A1 * 8/2014 Ko G06F 1/1626
 361/679.27
 2014/0362513 A1 * 12/2014 Nurmi G06F 1/1652
 361/679.27
 2015/0241925 A1 * 8/2015 Seo G06F 1/1652
 361/679.27
 2015/0241927 A1 * 8/2015 Ryu G06F 1/1616
 361/679.27

2016/0062412 A1 * 3/2016 Park G06F 1/1616
 361/679.27

OTHER PUBLICATIONS

Samsung, Flexible OLED Display Phone, as posted at PhoneArena [online], posting date not available [site visited Jul. 28, 2016] Available from the Internet, <URL: http://www.phonearena.com/news/Samsung-and-LG-both-racing-to-out-a-foldable-phone_id74741>.*
 Samsung, Flexible OLED Phone, as posted at Inhabit [online], posted on Nov. 7, 2011 [site visited Jul. 28, 2016] Available from the Internet, <URL: <http://inhabitat.com/samsung-to-launch-flexible-oled-cell-phone-next-year/>>.*

* cited by examiner

FIG. 1

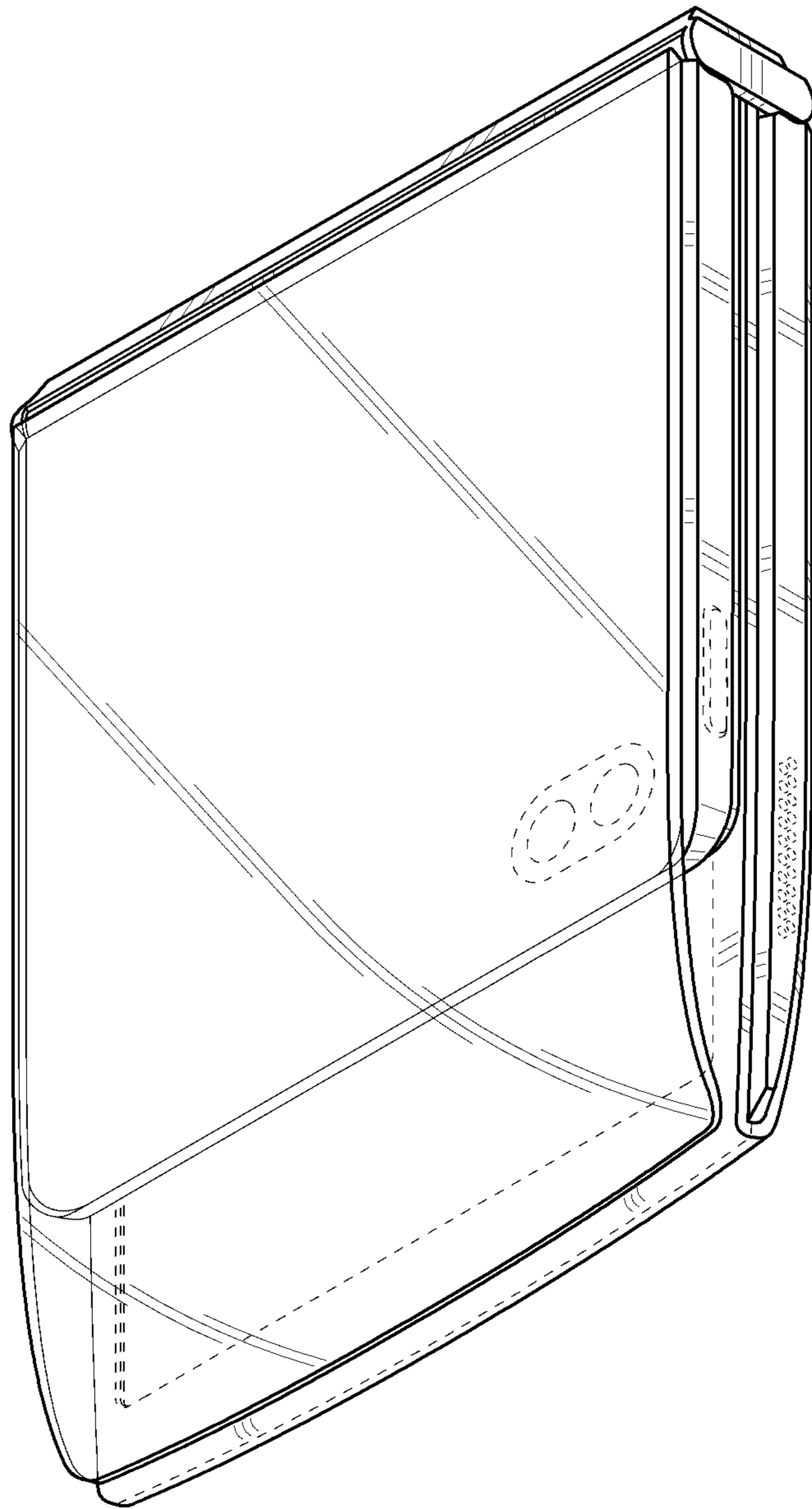


FIG. 2

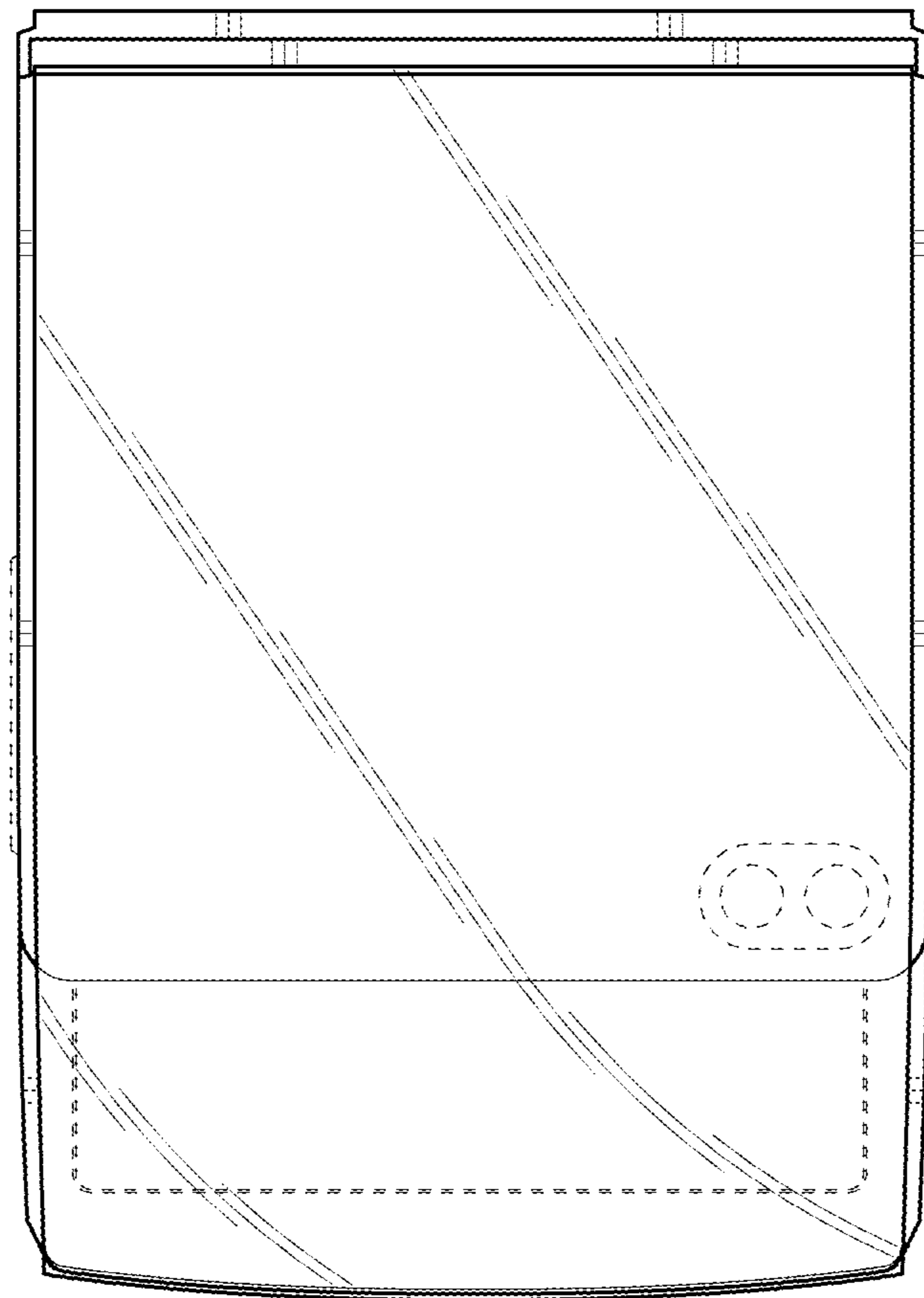


FIG. 3

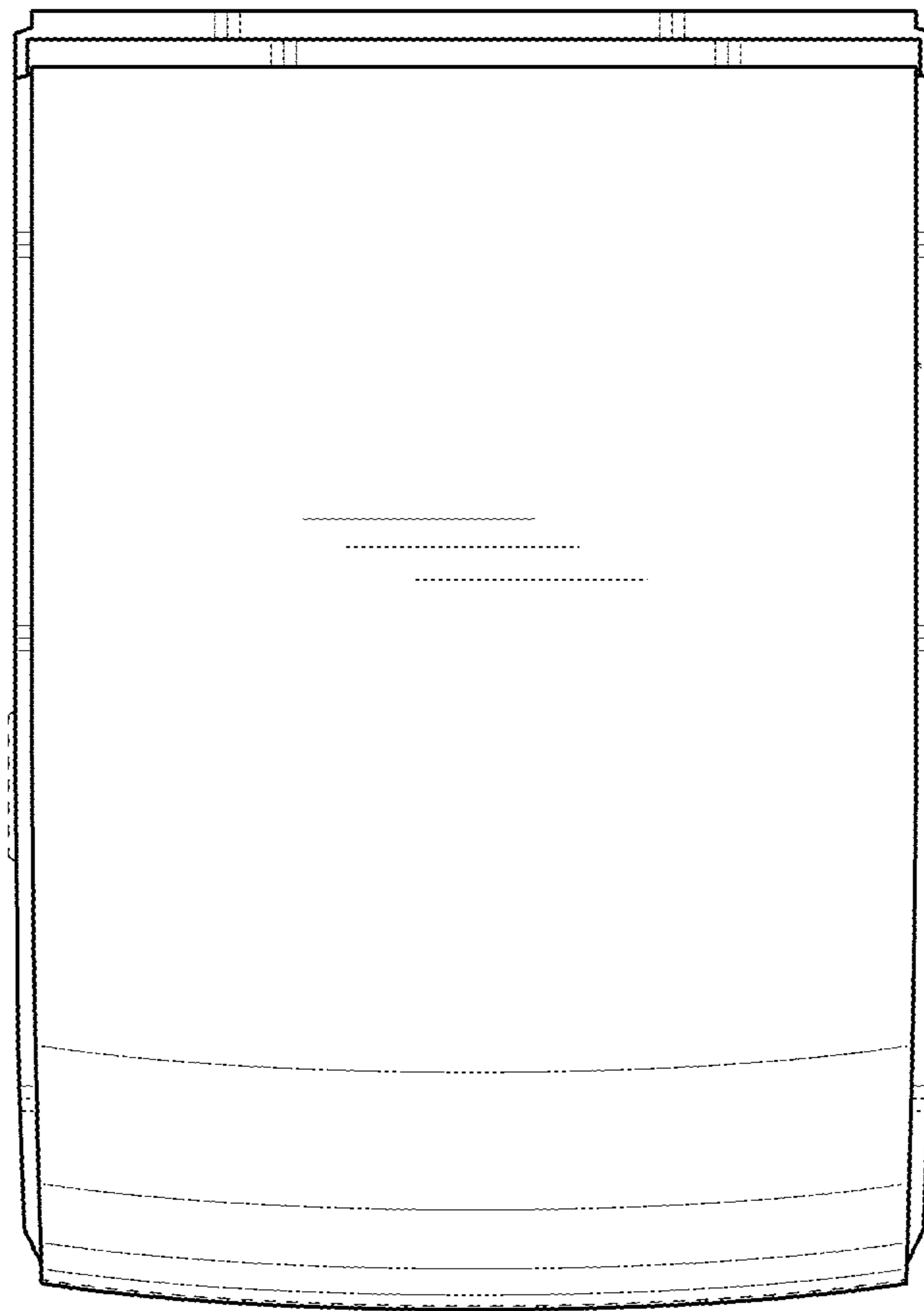


FIG. 4

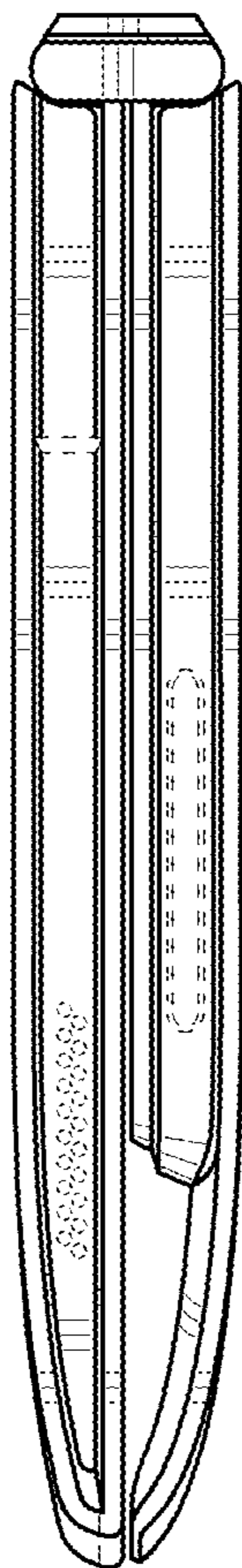


FIG. 5

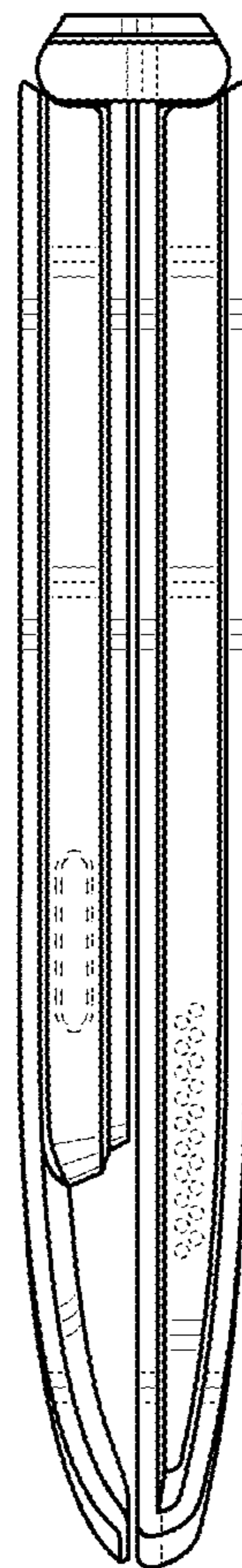


FIG. 6

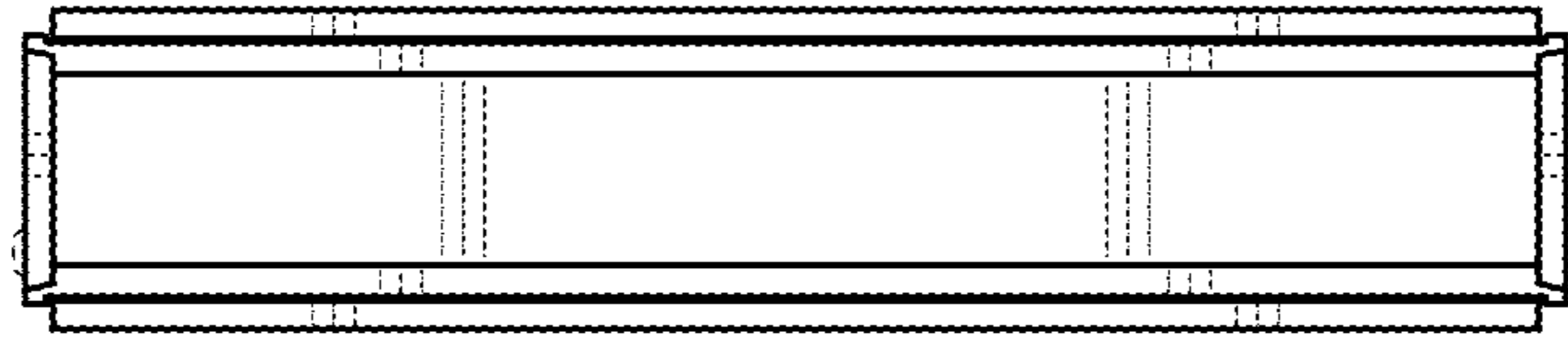


FIG. 7

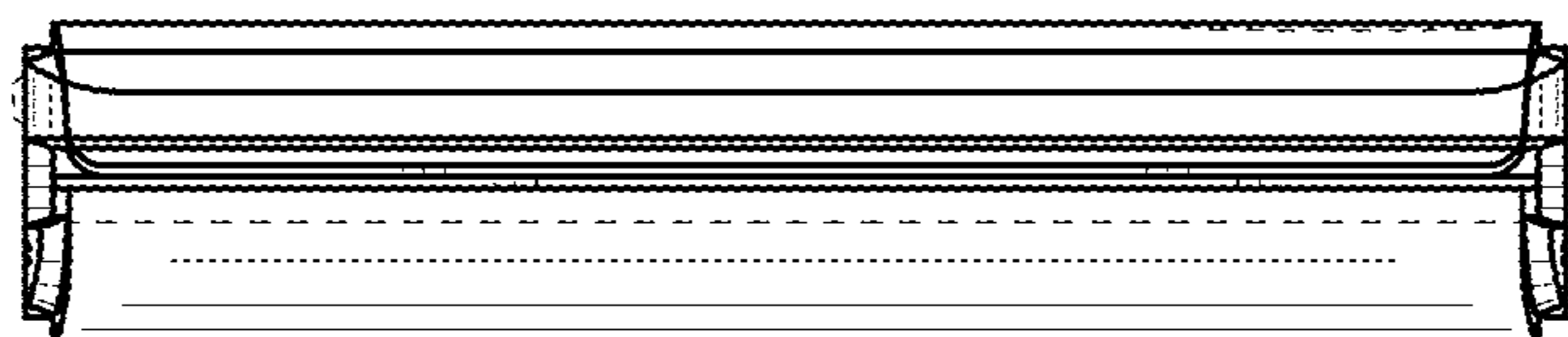


FIG. 8

