



US00D776631S

(12) **United States Design Patent**
Kim et al.

(10) **Patent No.:** **US D776,631 S**

(45) **Date of Patent:** **** Jan. 17, 2017**

(54) **TELEVISION RECEIVER**

(71) Applicant: **SAMSUNG ELECTRONICS CO., LTD.**, Suwon-si (KR)

(72) Inventors: **Jinwook Kim**, Yongin-si (KR); **Sangmin Hyun**, Seoul (KR); **Inshik Kim**, Seongnam-si (KR); **Daekyung Ahn**, Namyangju-si (KR)

(73) Assignee: **SAMSUNG ELECTRONICS CO., LTD.**, Gyeonggi-Do (KR)

(**) Term: **15 Years**

(21) Appl. No.: **29/537,578**

(22) Filed: **Aug. 27, 2015**

(30) **Foreign Application Priority Data**

Mar. 3, 2015 (KR) 30-2015-0010839

(51) **LOC (10) Cl.** **14-03**

(52) **U.S. Cl.**
USPC **D14/126**

(58) **Field of Classification Search**
USPC D14/125-134, 239, 371, 136, 374-377, D14/440, 450, 448, 336, 342, 159; 312/7.2; 348/836, 838, 180, 184, 325, 348/739; 248/917-924, 465; 345/104, 345/133, 156, 168, 87, 173; D21/329, D21/515, 577, 622, 333, 433, 448, 452, D21/450, 331, 505; D10/15, 26; 446/484, 446/175, 356; D6/477, 479, 300; D20/10, D20/19, 39; D16/203, 241; 160/24
CPC G06F 1/1601; G06F 1/1643; H05K 5/0004; H05K 5/0017; H05K 5/02; H05K 5/0217; H04N 13/0459

See application file for complete search history.

(56) **References Cited**

U.S. PATENT DOCUMENTS

D323,338 S * 1/1992 Court 160/24
D568,364 S * 5/2008 Jeoung D16/241

D578,574 S * 10/2008 Lundgren D20/99
7,489,444 B1 * 2/2009 Adams G03B 21/60
359/461
D594,894 S * 6/2009 Adams D16/241
D607,034 S * 12/2009 Adams D16/241
D607,916 S * 1/2010 Orion D16/241
D614,225 S * 4/2010 Adams D16/241
7,706,066 B2 * 4/2010 Adams G03B 21/56
359/443
D616,034 S * 5/2010 Carlsson D20/43
D616,501 S * 5/2010 Maier-Hunke D20/10

(Continued)

FOREIGN PATENT DOCUMENTS

KR 300620776 11/2011
KR 300637348 3/2012

OTHER PUBLICATIONS

Table top type screen, Copyright 2005, pp. 1-3, Retrieved from the Internet Nov. 12, 2014, <URL:http://www.allprojector.com/morningmall/m_mall_detail.php?ps_ctid=02030000&ps_goid=552>.

Primary Examiner — Raphael Barkai
(74) *Attorney, Agent, or Firm* — Cantor Colburn LLP

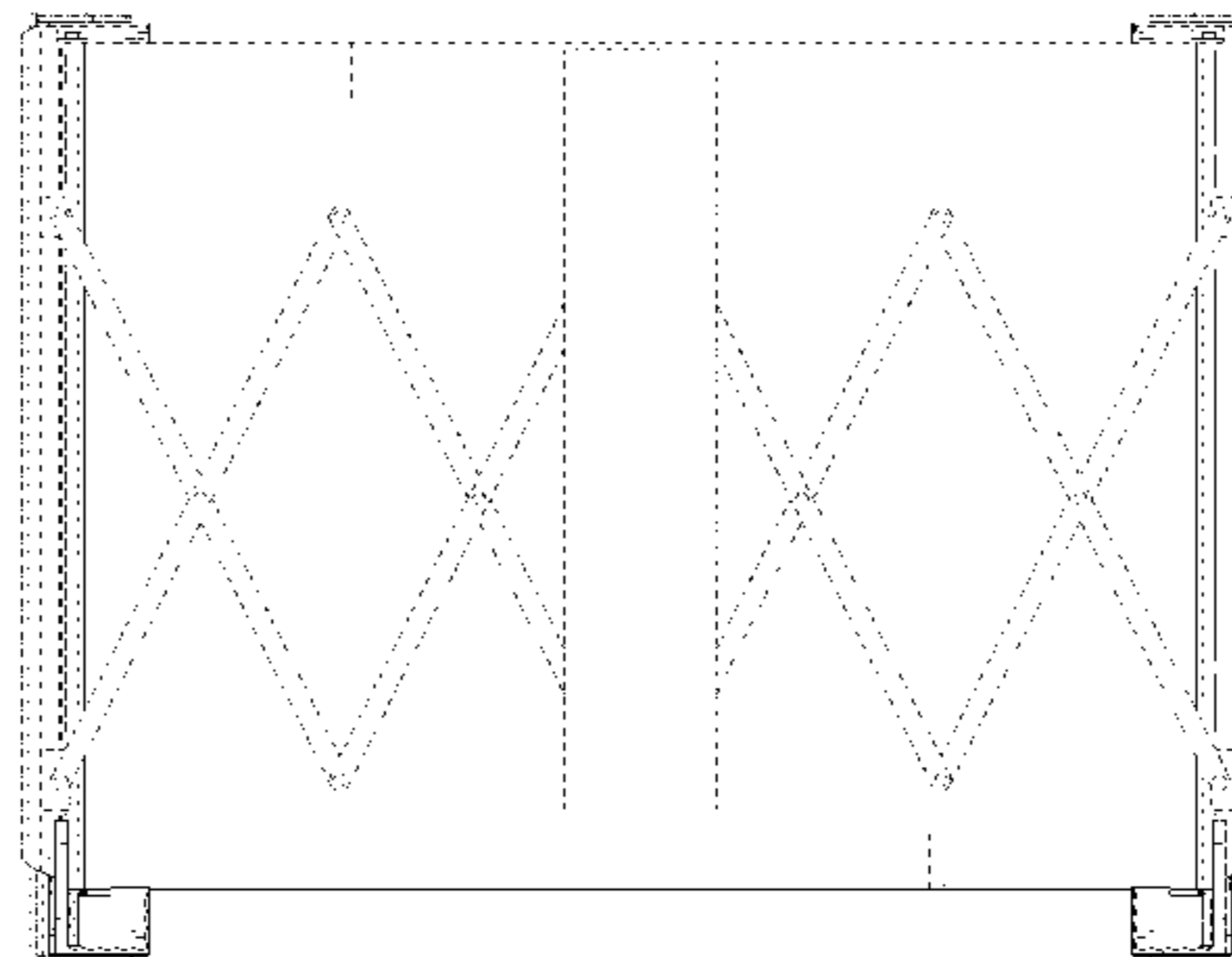
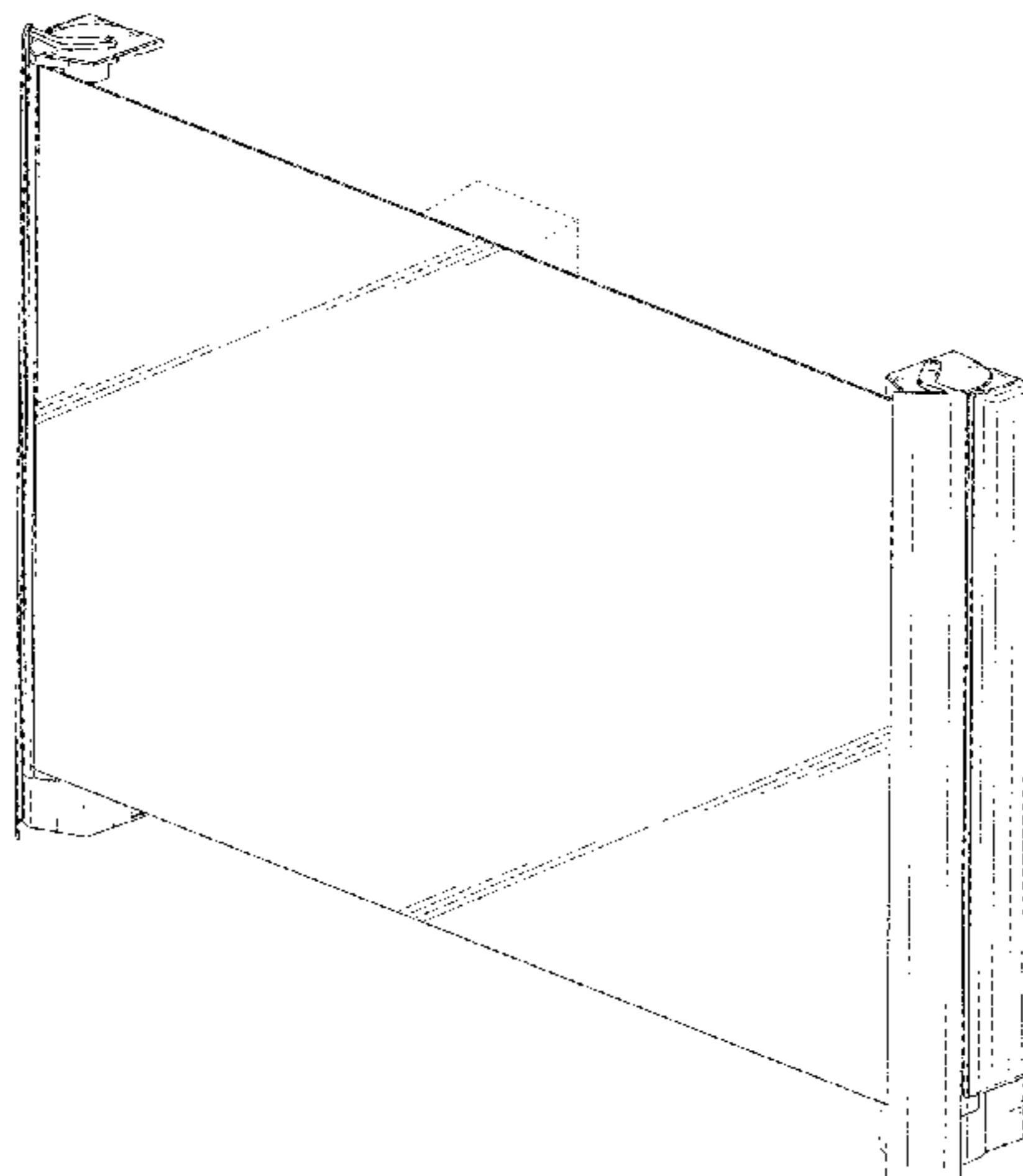
(57) **CLAIM**

The ornamental design for a television receiver, as shown and described.

DESCRIPTION

FIG. 1 is a front perspective view of a television receiver showing our new design;
FIG. 2 is a front elevational view thereof;
FIG. 3 is a rear elevational view thereof;
FIG. 4 is a left side elevational view thereof;
FIG. 5 is a right side elevational view thereof;
FIG. 6 is a top plan view thereof;
FIG. 7 is a bottom plan view thereof; and,
FIG. 8 is a perspective view thereof in an alternate configuration.

(Continued)



The broken lines in the figures show portions of the television receiver which form no part of the claimed design.

1 Claim, 8 Drawing Sheets

(56)

References Cited

U.S. PATENT DOCUMENTS

8,274,737	B2 *	9/2012	Wang	G03B 21/58 359/443
D713,808	S *	9/2014	Ryu	D14/126
D723,487	S *	3/2015	Lee	D14/126
D758,330	S *	6/2016	Lee	D14/126
2006/0279840	A1 *	12/2006	Yamauchi	G03B 21/56 359/461
2007/0121209	A1 *	5/2007	Liang	G03B 21/58 359/461
2014/0213324	A1 *	7/2014	Tan	H04M 1/0268 455/566
2015/0047796	A1 *	2/2015	Peng	E06B 9/42 160/323.1
2015/0153777	A1 *	6/2015	Liu	G06F 1/1652 345/173
2015/0220188	A1 *	8/2015	Zhao	G09G 3/36 345/174

* cited by examiner

FIG. 1

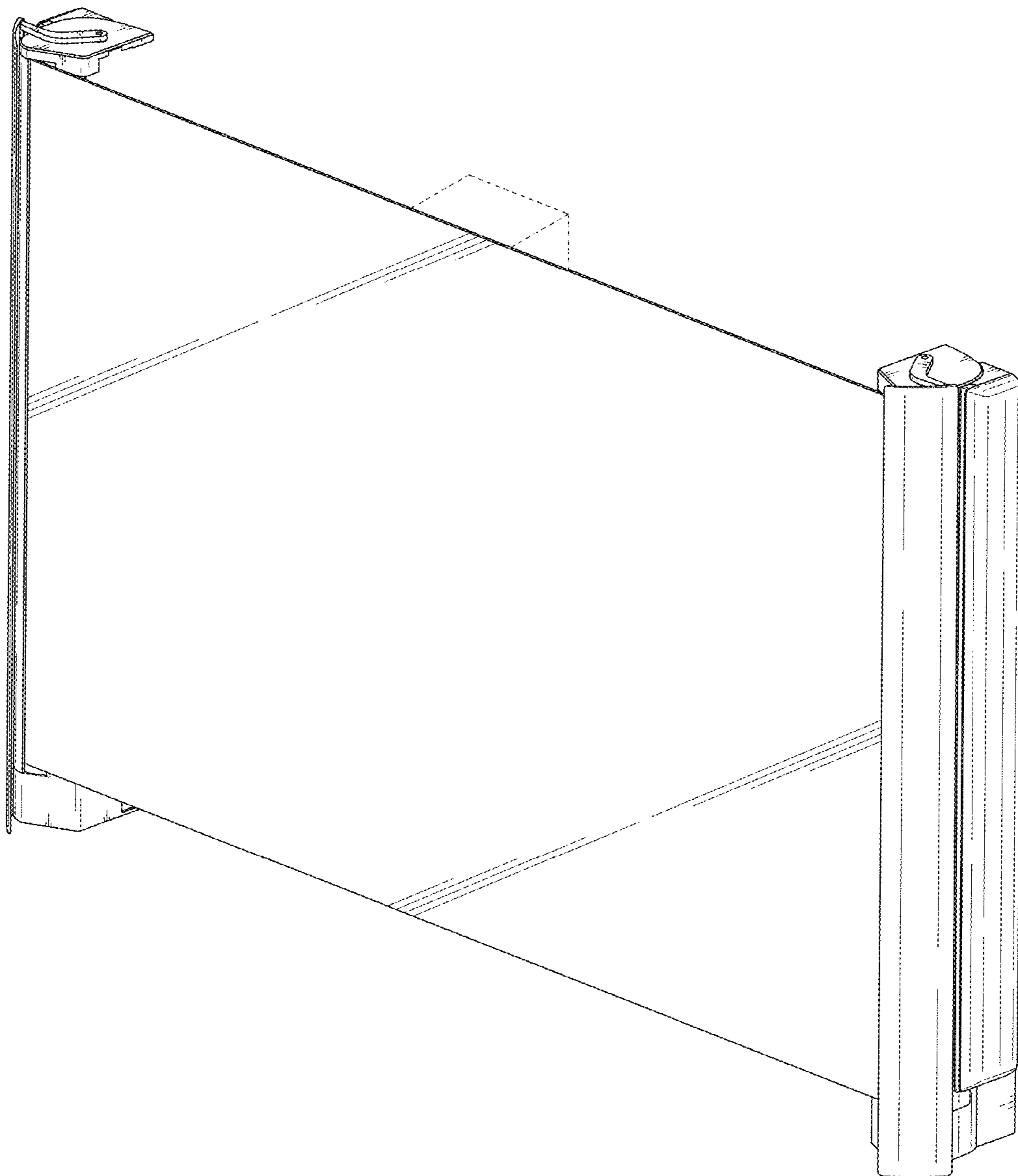


FIG. 2

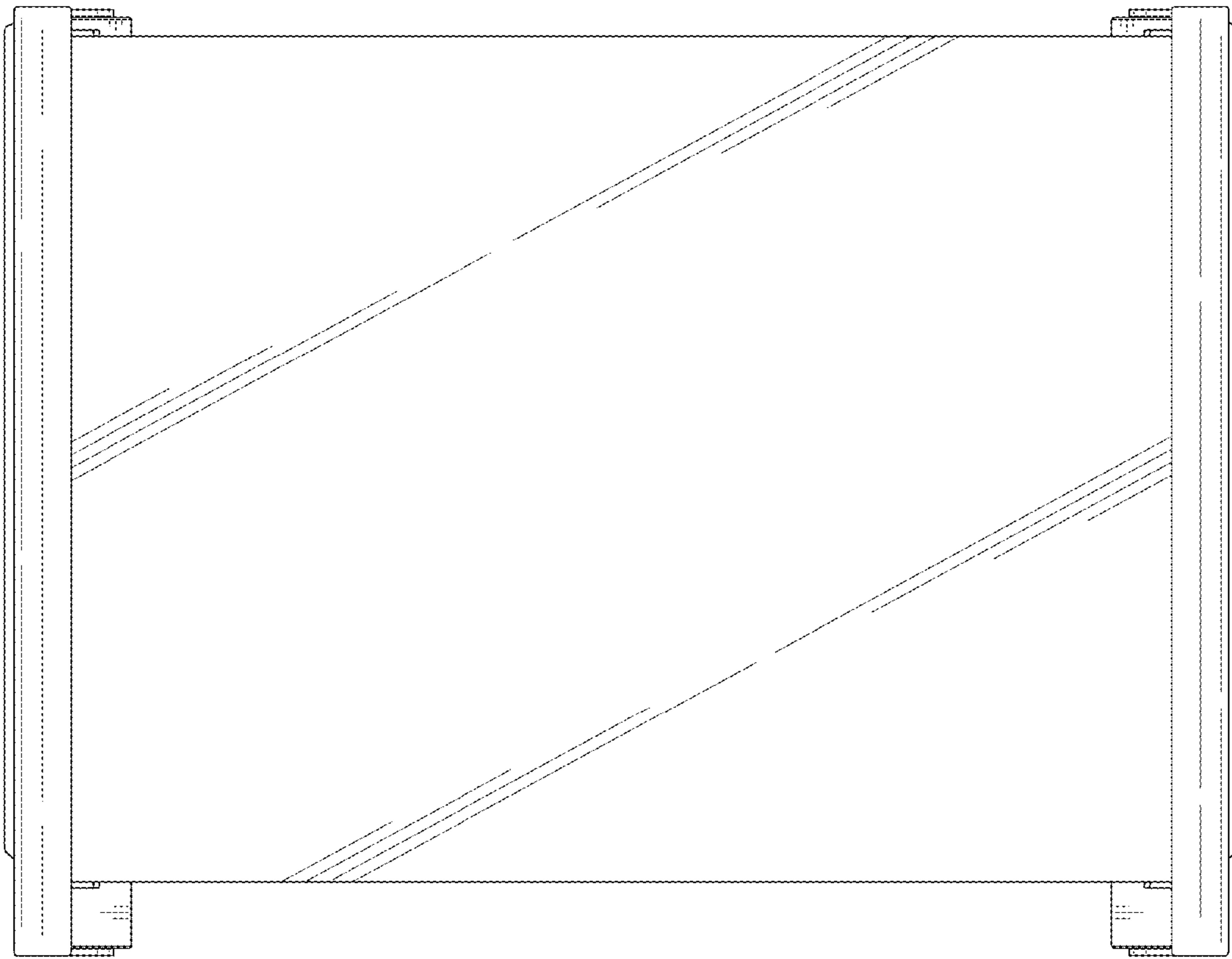


FIG. 3

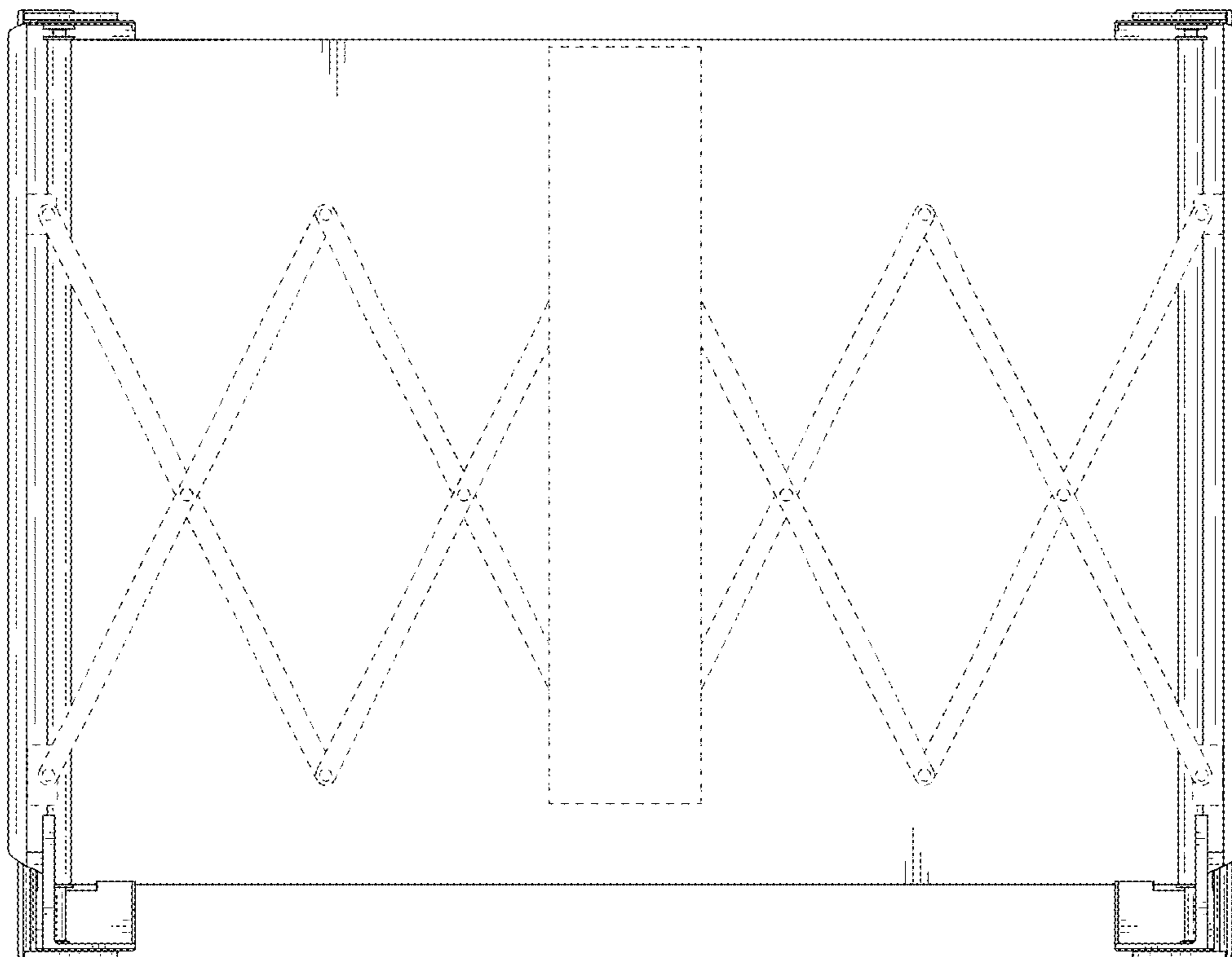


FIG. 4

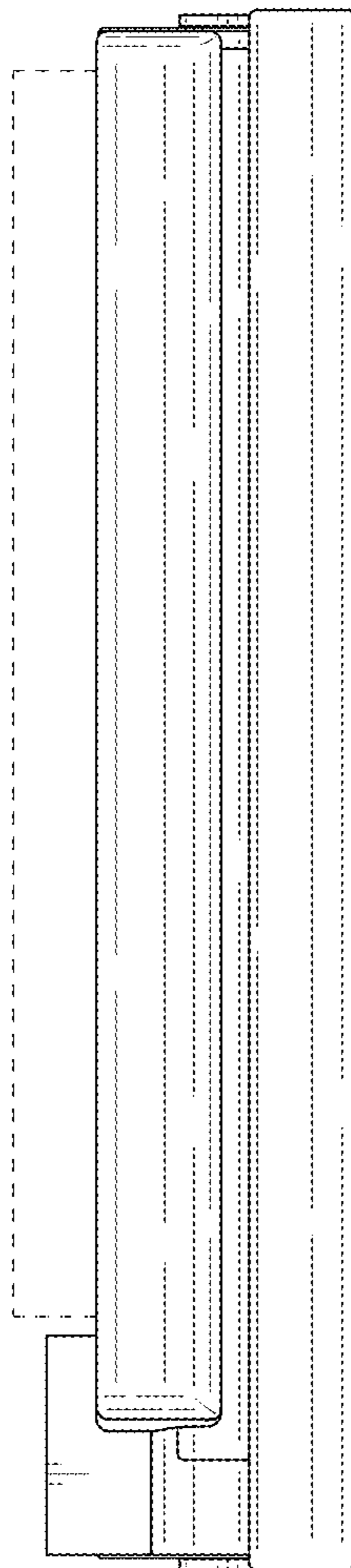


FIG. 5

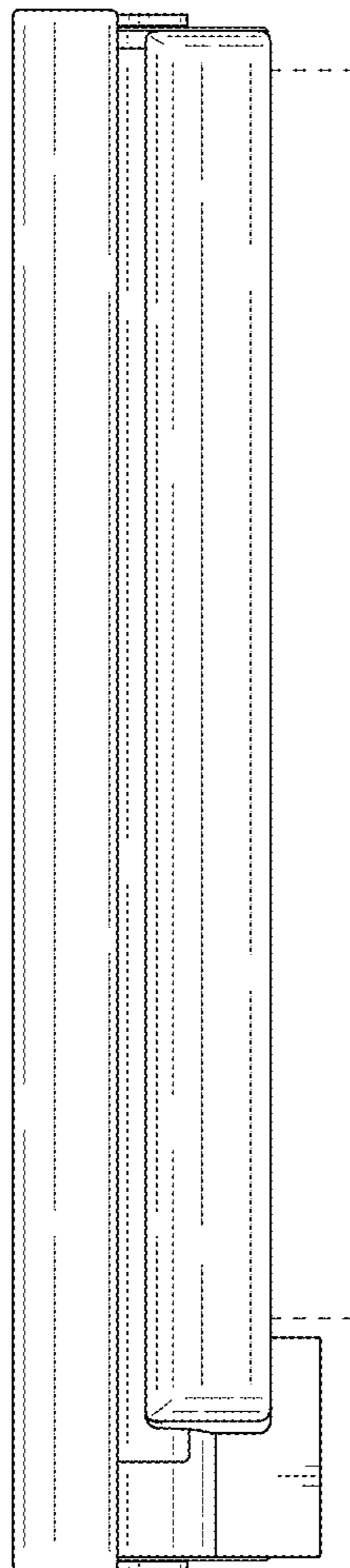


FIG. 6

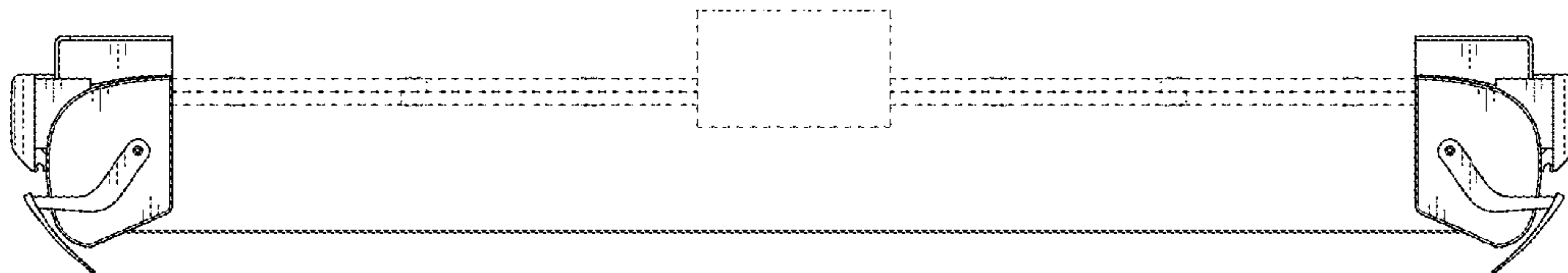


FIG. 7

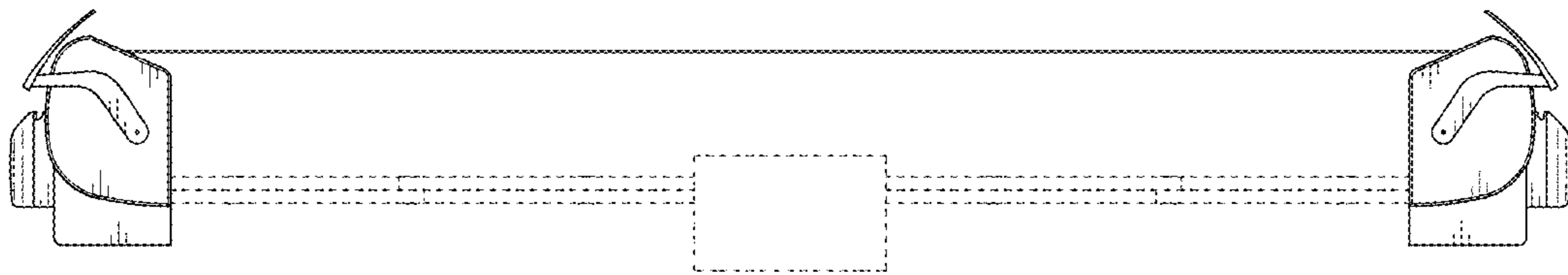


FIG. 8

