



US00D776629S

(12) **United States Design Patent**
Kim et al.

(10) **Patent No.:** **US D776,629 S**

(45) **Date of Patent:** **** *Jan. 17, 2017**

- (54) **LIGHT EMITTING DIODE**
- (71) Applicant: **Seoul Viosys Co., Ltd.**, Ansan-si (KR)
- (72) Inventors: **Jong Kyu Kim**, Ansan-si (KR); **Yeo Jin Yoon**, Ansan-si (KR)
- (73) Assignee: **SEOUL VIOSYS CO., LTD.**, Ansan-si (KR)
- (*) Notice: This patent is subject to a terminal disclaimer.
- (**) Term: **15 Years**
- (21) Appl. No.: **29/535,497**
- (22) Filed: **Aug. 6, 2015**
- (30) **Foreign Application Priority Data**

Feb. 6, 2015 (KR) 30-2015-0006488

- (51) **LOC (10) Cl.** **13-03**
- (52) **U.S. Cl.**
USPC **D13/180**

- (58) **Field of Classification Search**
USPC D13/180; D26/1
CPC H01L 25/167; H01L 25/0753; H01L 27/15;
H01L 27/156; H01L 31/02; H01L 33/00;
H01L 33/04; H01L 33/08; H01L 33/10;
H01L 33/20; H01L 33/38; H01L 33/42;
H01L 33/48; H01L 33/62; H01L 33/483;
H01L 33/486; F21K 9/00; F21K
9/30; F21K 9/54
See application file for complete search history.

- (56) **References Cited**
U.S. PATENT DOCUMENTS

6,534,799 B1 * 3/2003 Wang H01L 33/486
257/100

- D511,328 S * 11/2005 Wang D13/180
- D536,309 S * 2/2007 Muguruma D13/180
- D615,052 S * 5/2010 Imai D13/180
- D621,800 S * 8/2010 Hsieh D13/180
- D685,751 S * 7/2013 Wu D13/180
- 8,492,776 B2 * 7/2013 Nagai H01L 25/0753
257/88
- 2009/0242906 A1 * 10/2009 Tsukagoshi H01L 33/62
257/88
- 2010/0264430 A1 * 10/2010 Takamura H01L 51/5203
257/88
- 2011/0096045 A1 * 4/2011 Ito G09F 9/33
345/204
- 2011/0186874 A1 * 8/2011 Shum H01L 25/0753
257/88
- 2012/0037939 A1 * 2/2012 Urano H01L 33/486
257/98

(Continued)

Primary Examiner — Selina Sikder

(74) *Attorney, Agent, or Firm* — Perkins Coie LLP

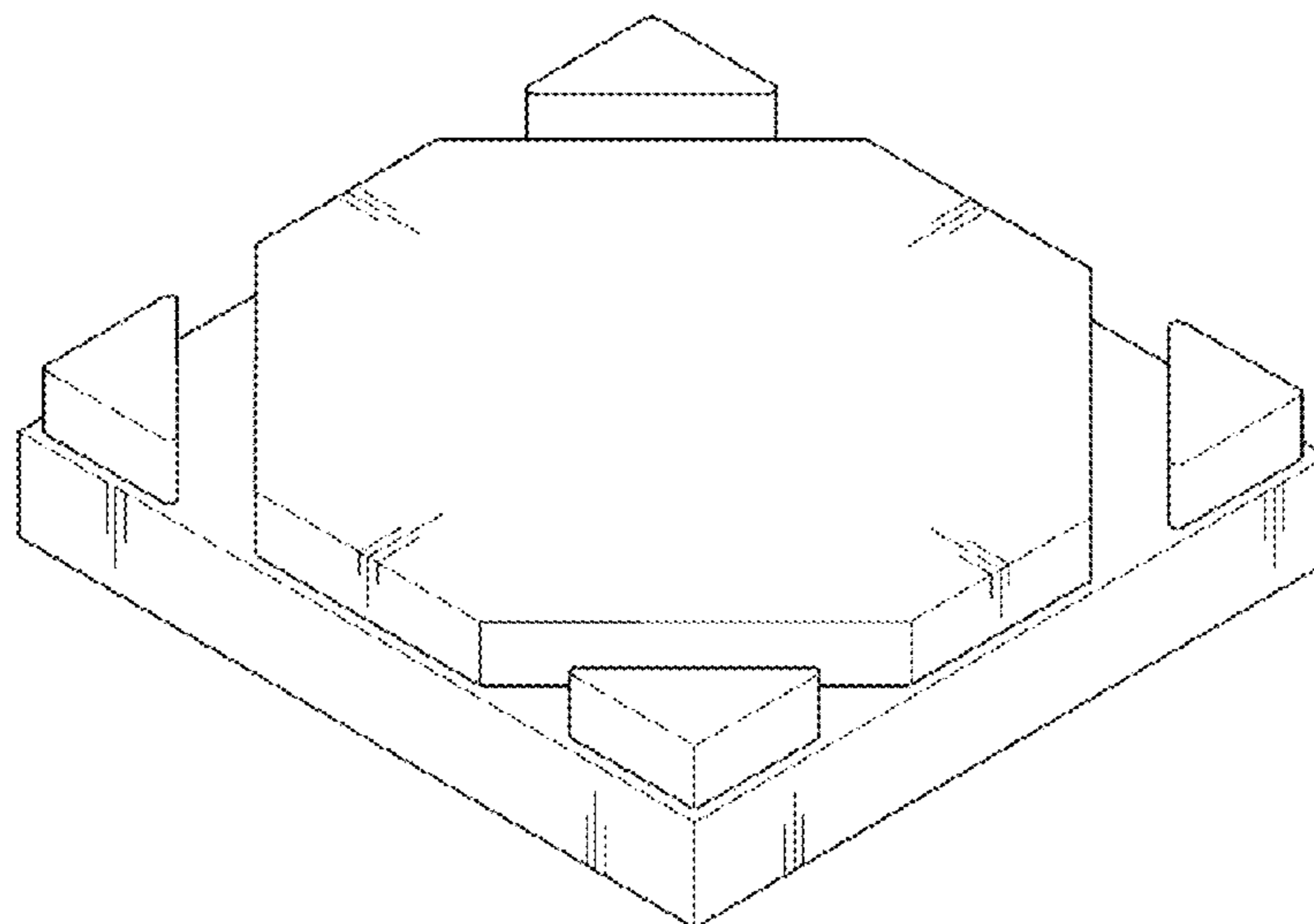
(57) **CLAIM**

The ornamental design for a light emitting diode, as shown and described.

DESCRIPTION

FIG. 1 is a perspective view of a light emitting diode showing a new design;
FIG. 2 is a front view of the light emitting diode;
FIG. 3 is a rear view of the light emitting diode;
FIG. 4 is a left side view of the light emitting diode;
FIG. 5 is a right side view of the light emitting diode;
FIG. 6 is a top plan view of the light emitting diode; and,
FIG. 7 is a bottom view of the light emitting diode.

1 Claim, 3 Drawing Sheets



(56)

References Cited

U.S. PATENT DOCUMENTS

2012/0161196 A1* 6/2012 Lowenthal H01L 25/048
257/100
2014/0346554 A1* 11/2014 Shum H01L 33/385
257/99
2016/0056356 A1* 2/2016 Oh H01L 33/62
257/98

* cited by examiner

FIG 1

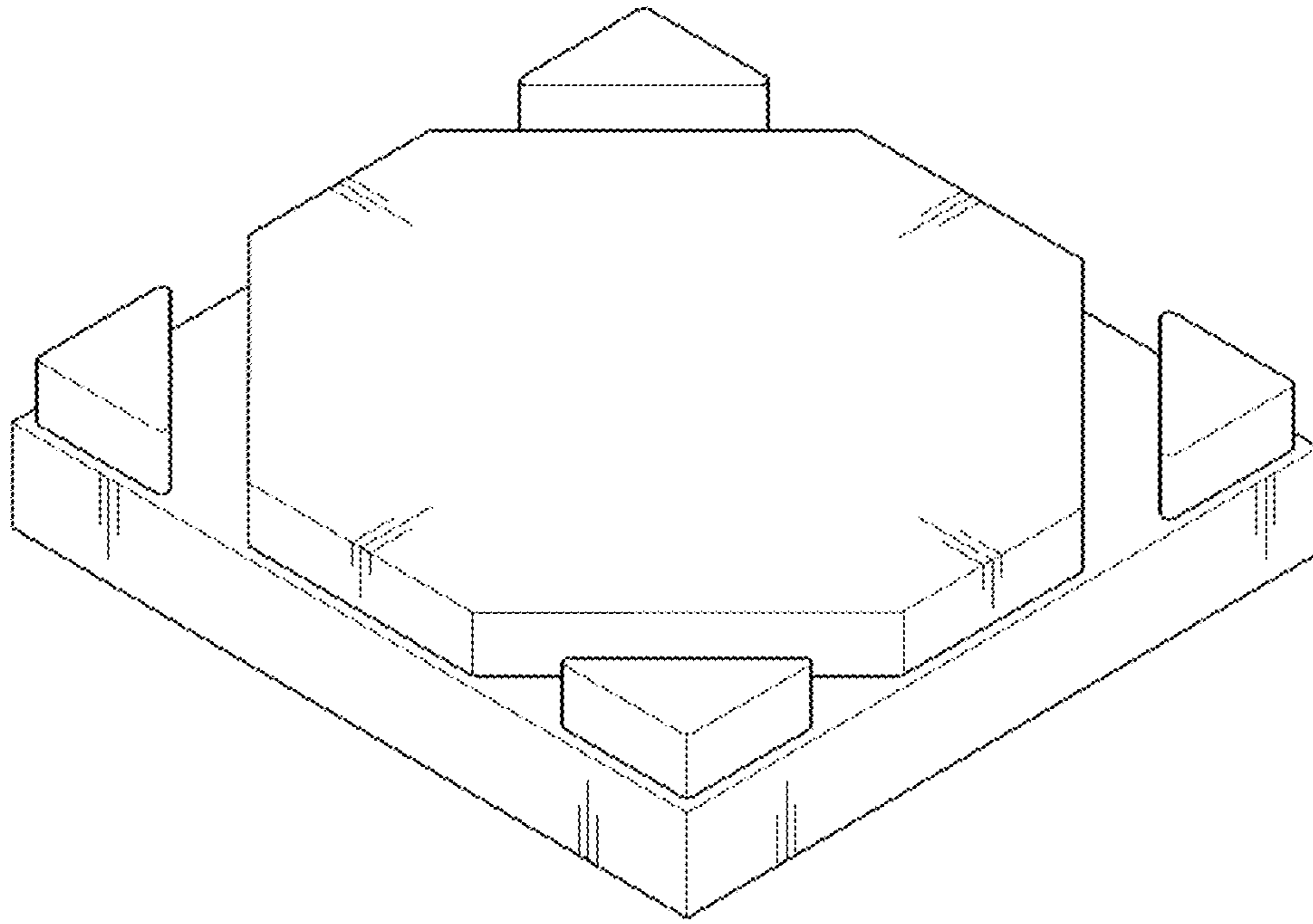


FIG 2

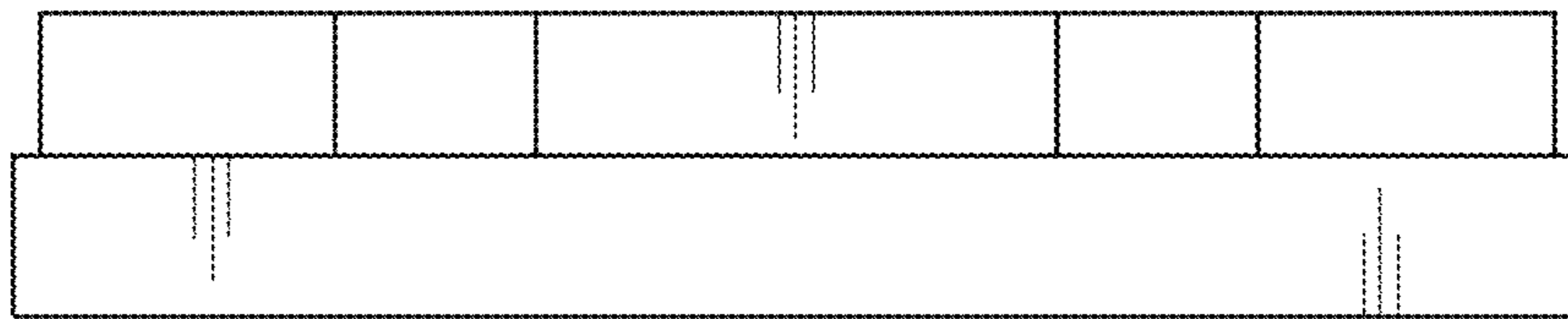


FIG 3

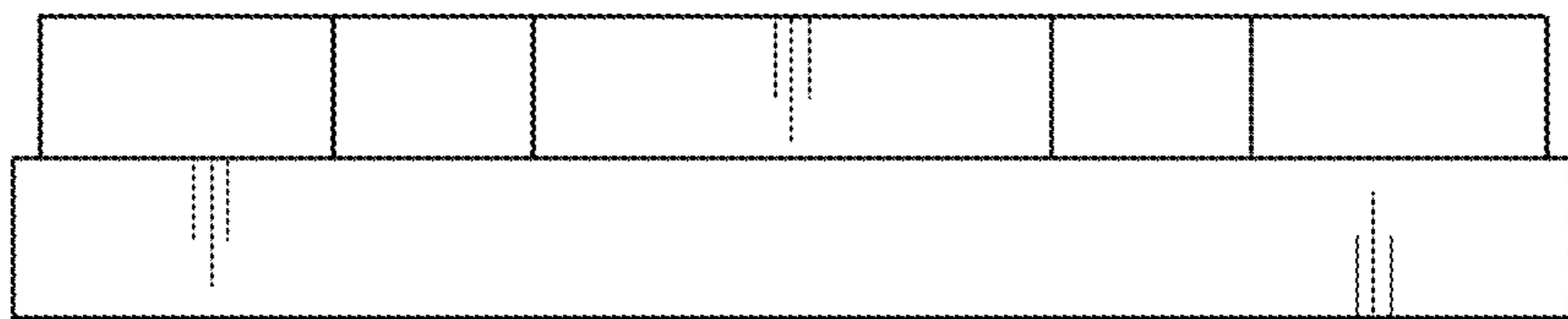


FIG 4

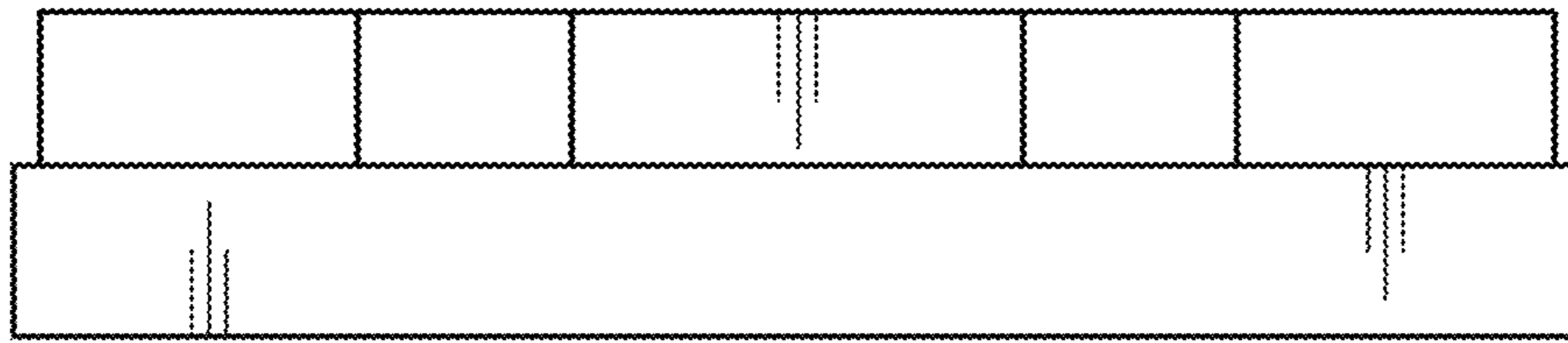


FIG 5

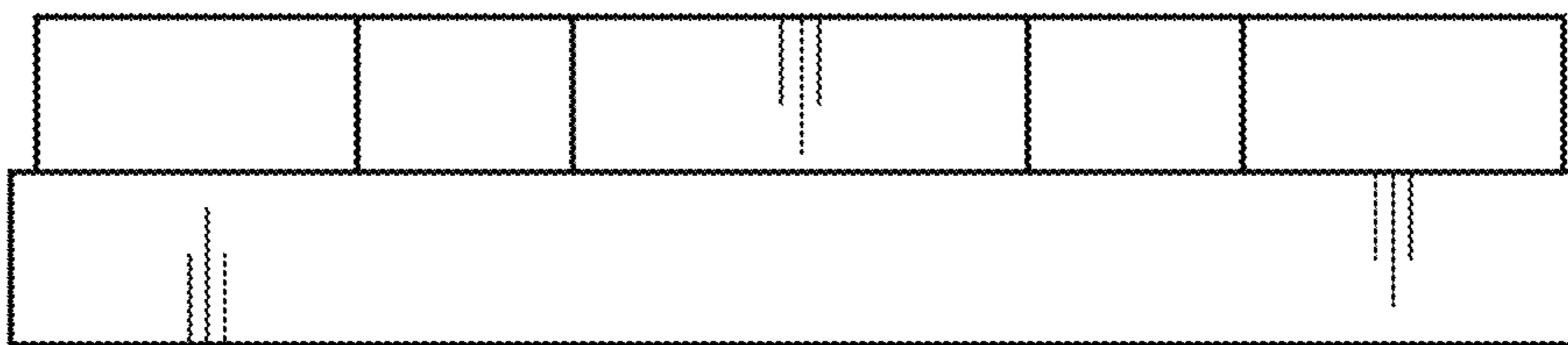


FIG 6

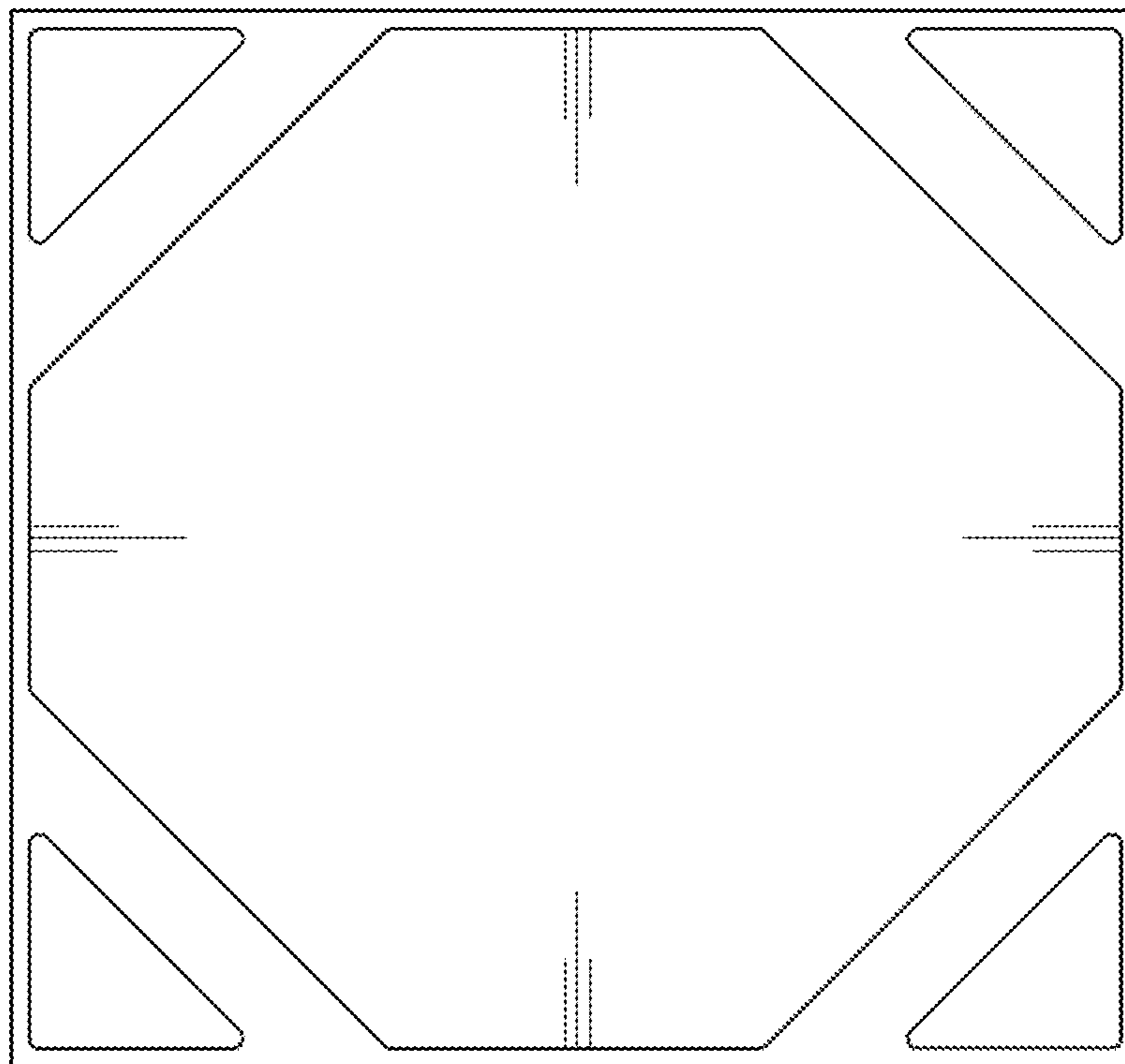


FIG 7

