



US00D776628S

(12) **United States Design Patent**
Minale et al.

(10) **Patent No.:** **US D776,628 S**
(45) **Date of Patent:** **** Jan. 17, 2017**

(54) **SWITCH PLATE**

(71) Applicant: **Buster and Punch Limited**, London (GB)

(72) Inventors: **Massimo Minale**, London (GB); **Iain Dulley**, London (GB)

(73) Assignee: **Buster and Punch Limited** (GB)

(**) Term: **15 Years**

(21) Appl. No.: **29/527,388**

(22) Filed: **May 19, 2015**

(30) **Foreign Application Priority Data**

Apr. 23, 2015	(EM)	002688093-0001
Apr. 23, 2015	(EM)	002688093-0002
Apr. 23, 2015	(EM)	002688093-0003
Apr. 23, 2015	(EM)	002688093-0004
Apr. 23, 2015	(EM)	002688093-0005
Apr. 23, 2015	(EM)	002688093-0006
Apr. 23, 2015	(EM)	002688093-0007

(Continued)

(51) **LOC (10) Cl.** **13-03**

(52) **U.S. Cl.**
USPC **D13/169**

(58) **Field of Classification Search**
USPC D13/162, 169, 173, 177
(Continued)

(56) **References Cited**

U.S. PATENT DOCUMENTS

1,857,379	A *	5/1932	Hubbell, Jr.	H01H 23/146 200/339
4,347,758	A *	9/1982	Geil	G05G 1/04 74/531

(Continued)

Primary Examiner — Selina Sikder

(74) *Attorney, Agent, or Firm* — Fleit Gibbons Gutman Bongini & Bianco PL

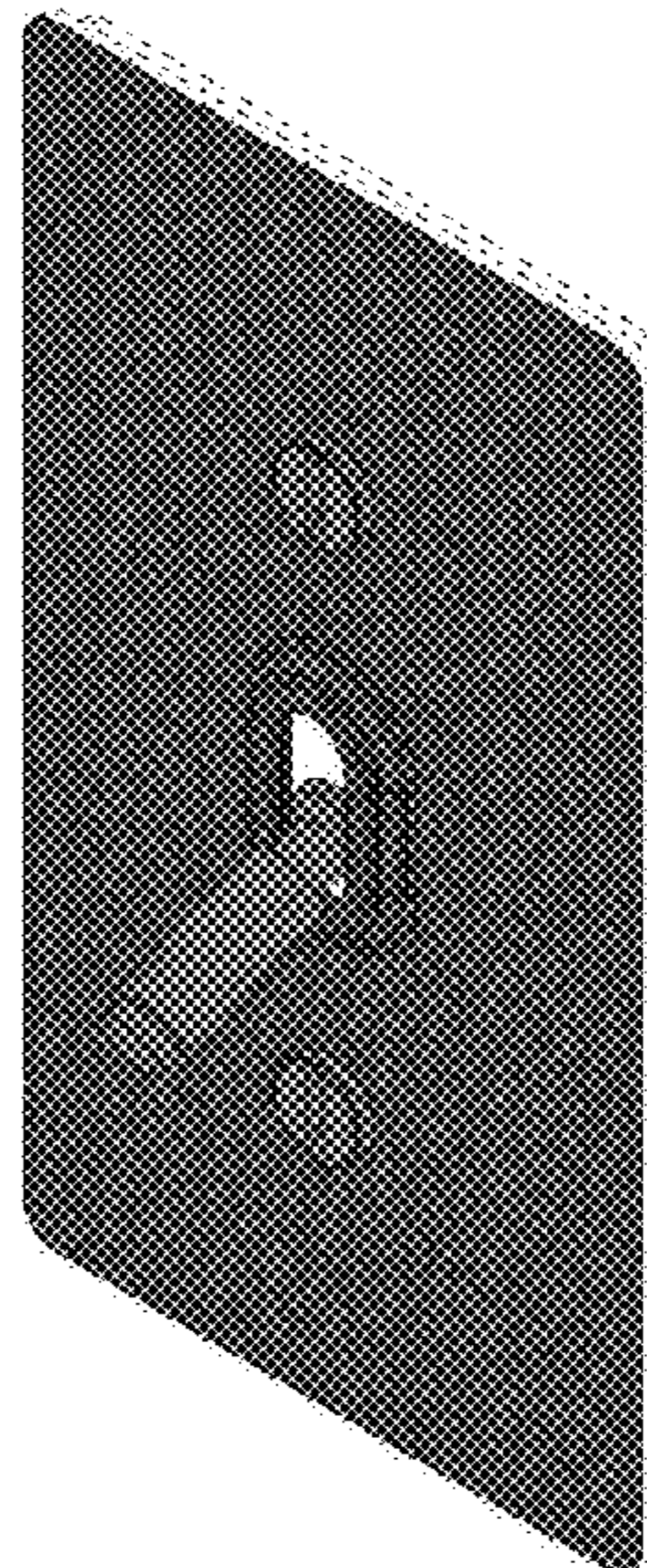
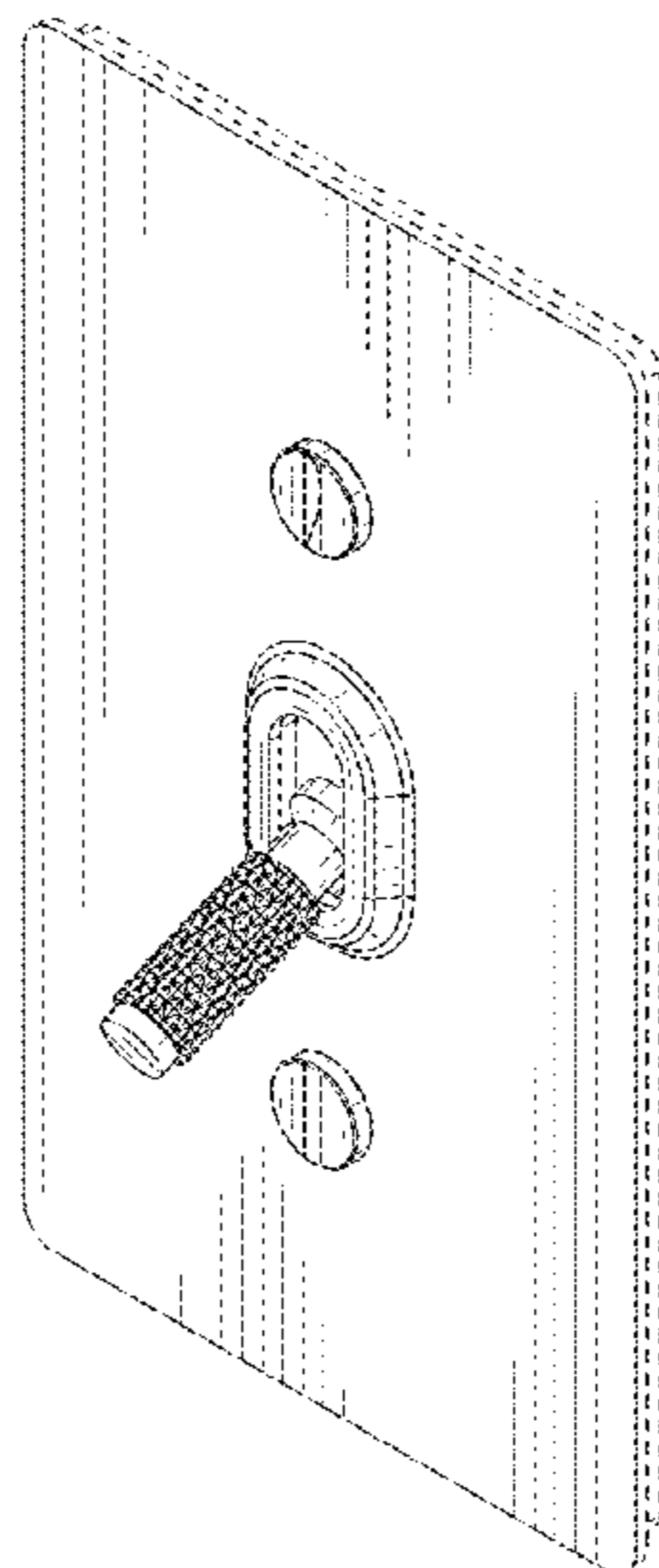
(57) **CLAIM**

The ornamental design for a switch plate, as shown and described.

DESCRIPTION

FIG. 1 is a perspective view of a first embodiment of a switch plate according to the present invention.
 FIG. 2 is a front view of the switch plate of FIG. 1.
 FIG. 3 is a top view of the switch plate of FIG. 1. The bottom view is identical to the top view.
 FIG. 4 is a first side view of the switch plate of FIG. 1. The opposite side view is identical.
 FIG. 5 is a perspective view of a second embodiment of a switch plate according to the present invention.
 FIG. 6 is a front view of the switch plate of FIG. 5.
 FIG. 7 is a top view of the switch plate of FIG. 5. The bottom view is identical to the top view.
 FIG. 8 is a first side view of the switch plate of FIG. 5. The opposite side view is identical.
 FIG. 9 is a perspective view of a third embodiment of a switch plate according to the present invention.
 FIG. 10 is a front view of the switch plate of FIG. 9.
 FIG. 11 is a top view of the switch plate of FIG. 9. The bottom view is identical to the top view; and,
 FIG. 12 is a first side view of the switch plate of FIG. 9. The opposite side view is identical.
 The broken lines in the drawings do not form part of the claimed design.

1 Claim, 6 Drawing Sheets



(30) **Foreign Application Priority Data**

Apr. 23, 2015 (EM) 002688093-0008
Apr. 23, 2015 (EM) 002688093-0009
Apr. 23, 2015 (EM) 002688093-0010
Apr. 23, 2015 (EM) 002688093-0011
Apr. 23, 2015 (EM) 002688093-0012

(58) **Field of Classification Search**

CPC H01H 3/04; H01H 21/36; H01H 25/00;
H01H 25/04; H01H 25/06; H01H 23/00;
H01H 23/02; H01H 23/04; H01H 23/08;
H01H 23/14; H01H 23/146; H01H
23/148; H01H 23/16; H01H
23/162; H01H 23/164; H01H
23/168; H01H 36/006; G05G 1/04

See application file for complete search history.

(56) **References Cited**

U.S. PATENT DOCUMENTS

6,392,170 B1 * 5/2002 Wechsler H01H 23/148
200/43.16
6,710,273 B1 * 3/2004 Skarlupka H01H 23/06
200/302.3
6,713,693 B1 * 3/2004 Sadowski H01H 25/00
200/17 R
D513,237 S * 12/2005 Langner D13/174
D633,875 S * 3/2011 Bauer D13/169
7,977,594 B1 * 7/2011 Miserendino H01H 21/08
200/330
9,331,688 B2 * 5/2016 Moreau H03K 17/51
2005/0045464 A1 * 3/2005 Eisenhower H01H 1/58
200/339

* cited by examiner

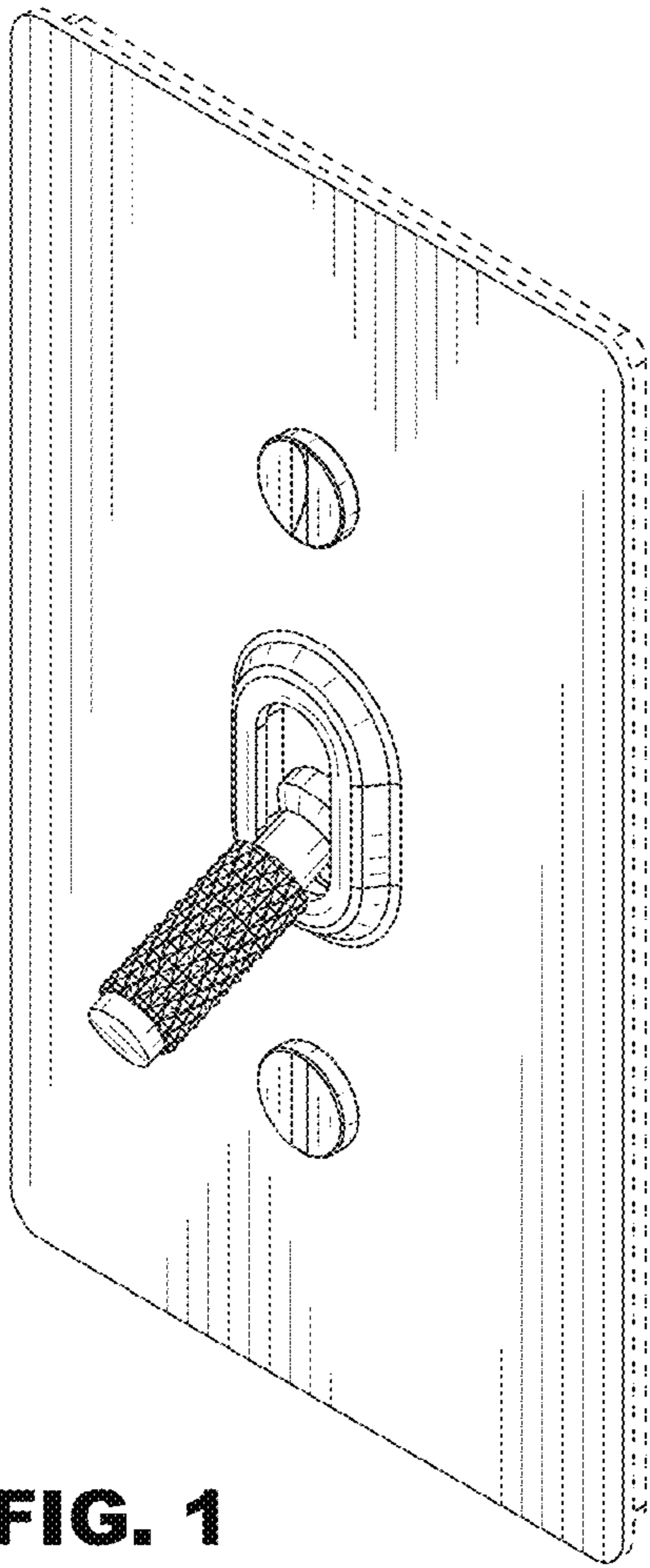


FIG. 1

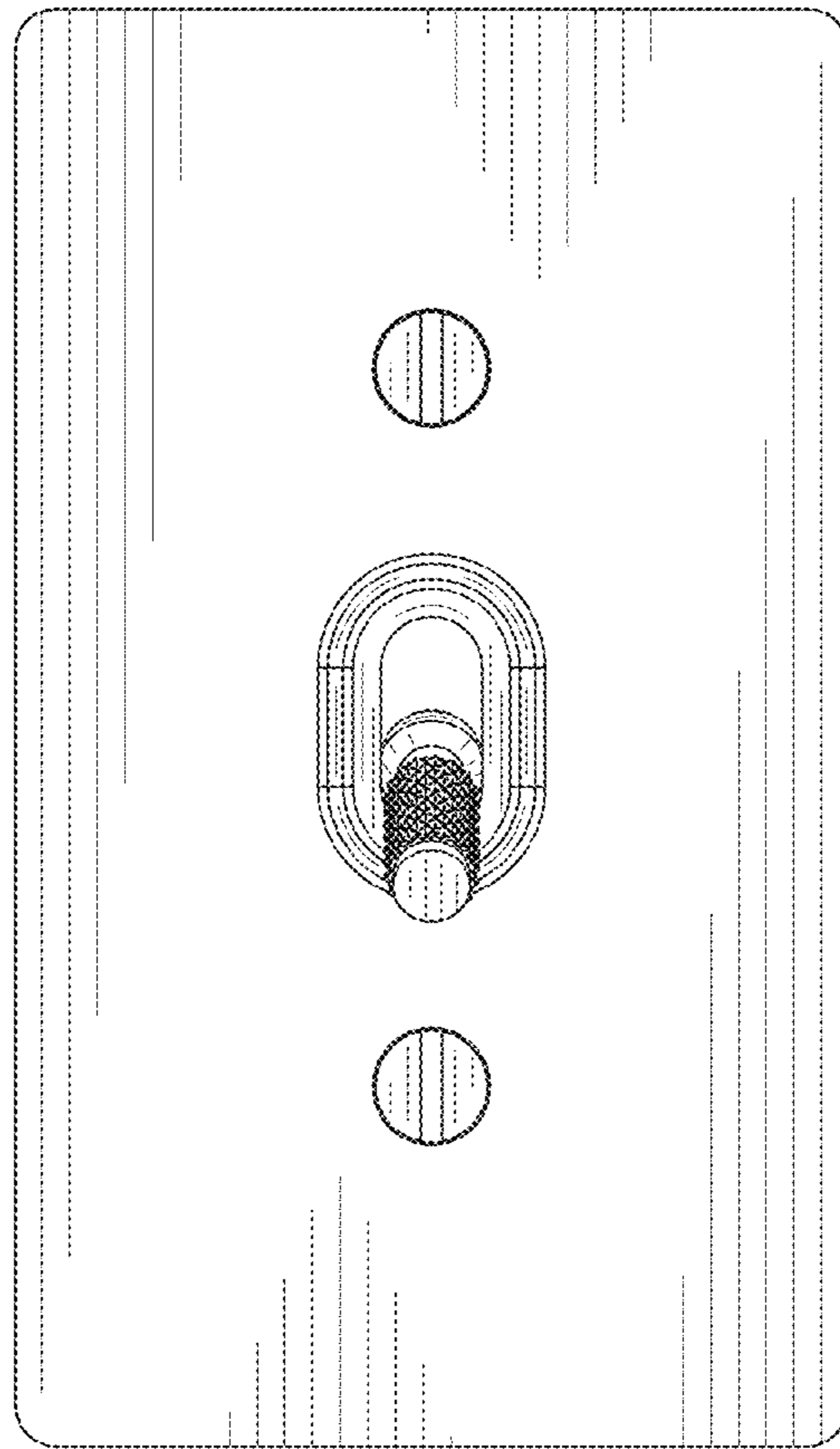


FIG. 2

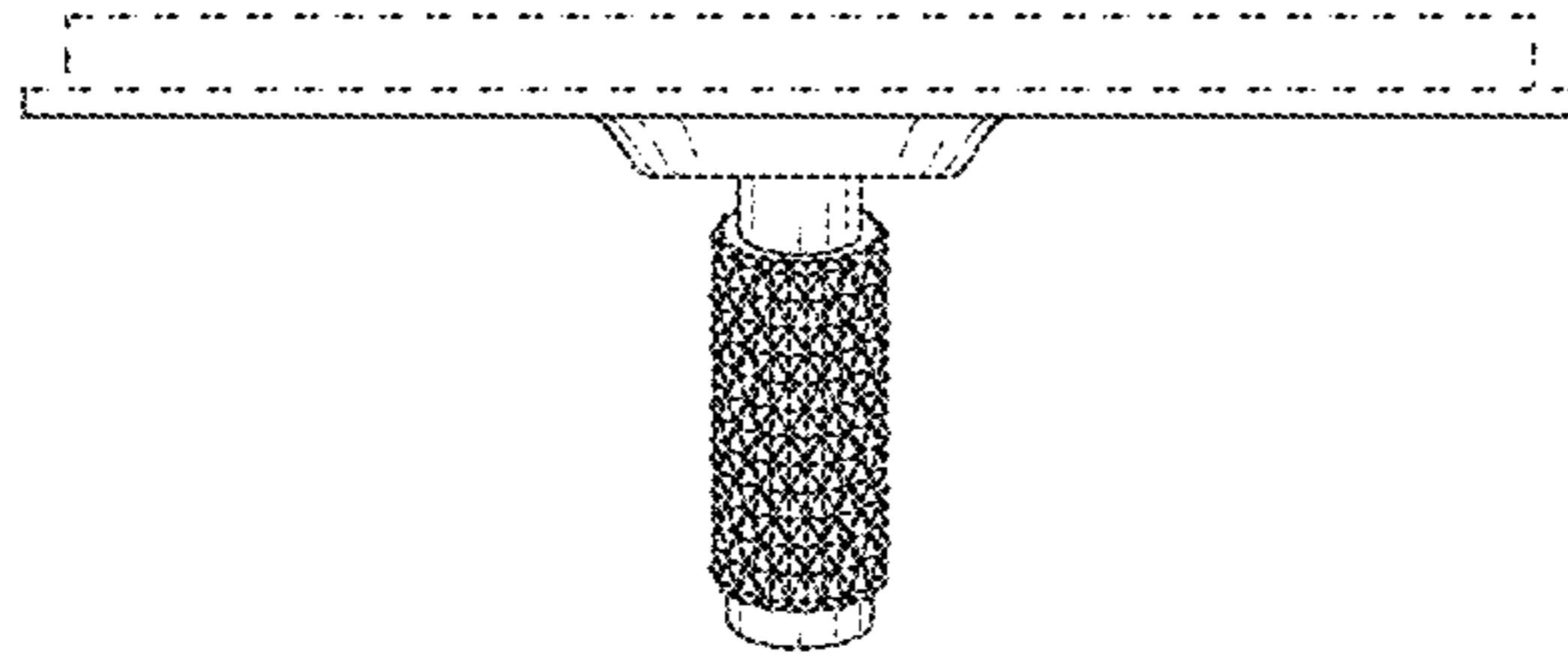


FIG. 3

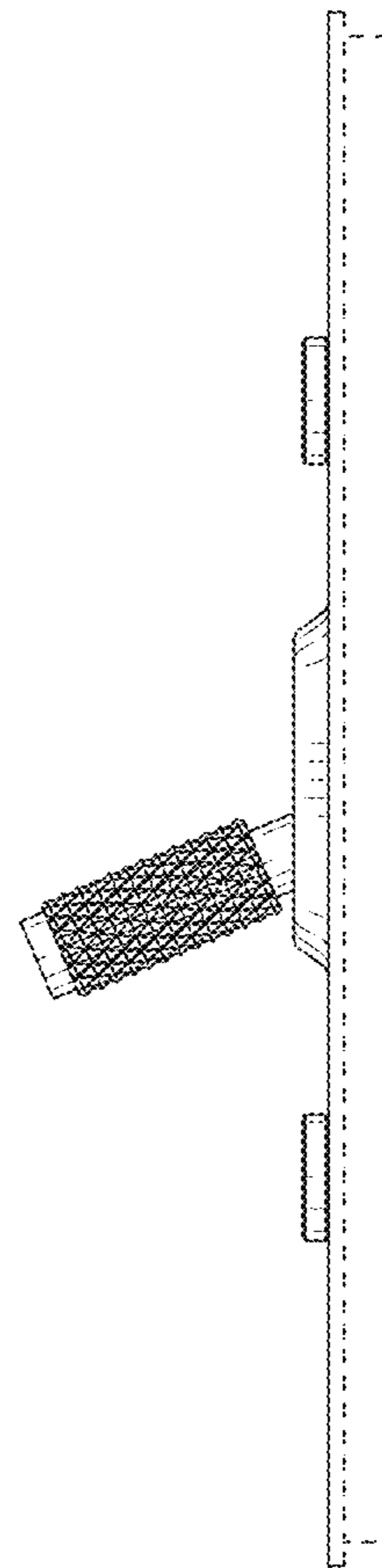


FIG. 4

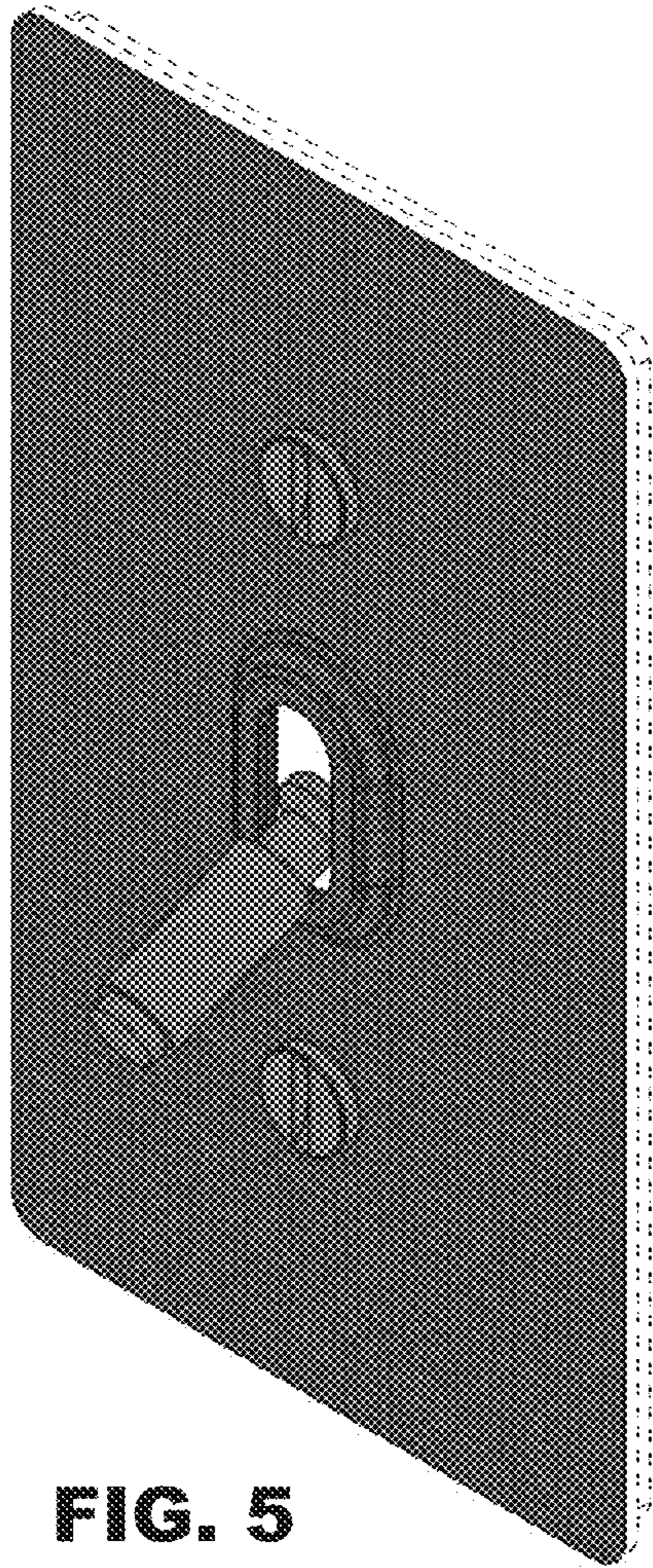


FIG. 5

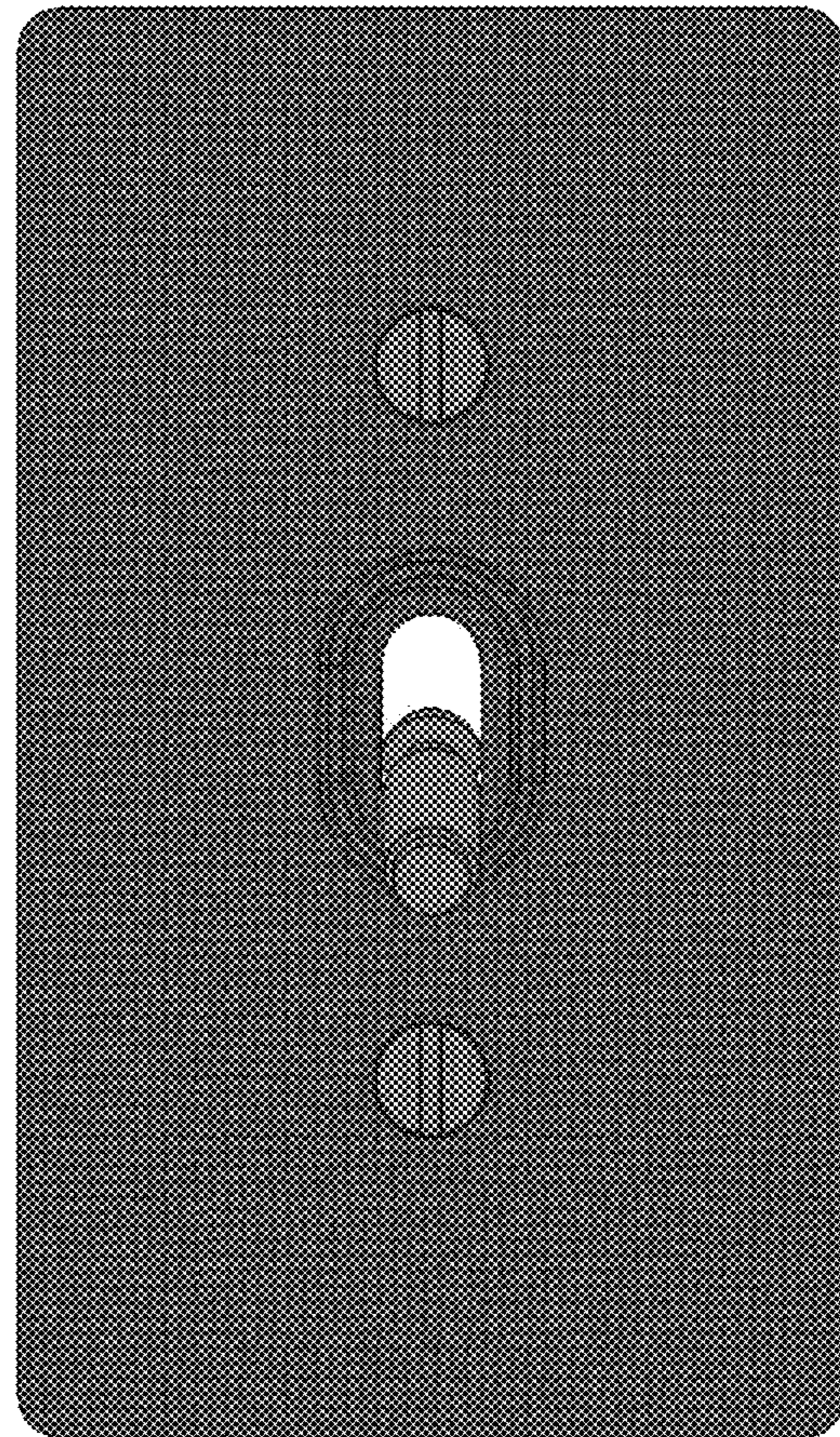


FIG. 6

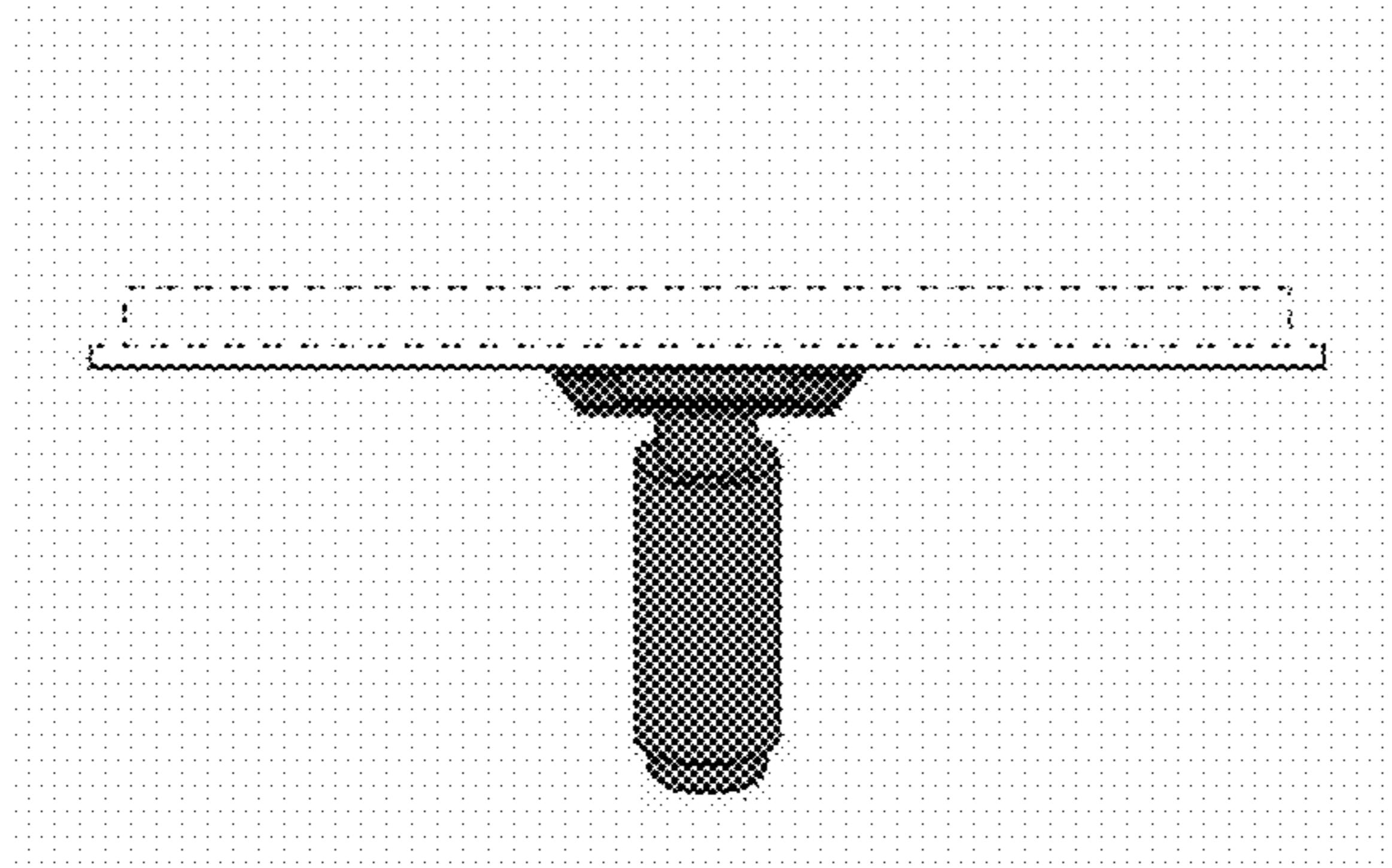


FIG. 7

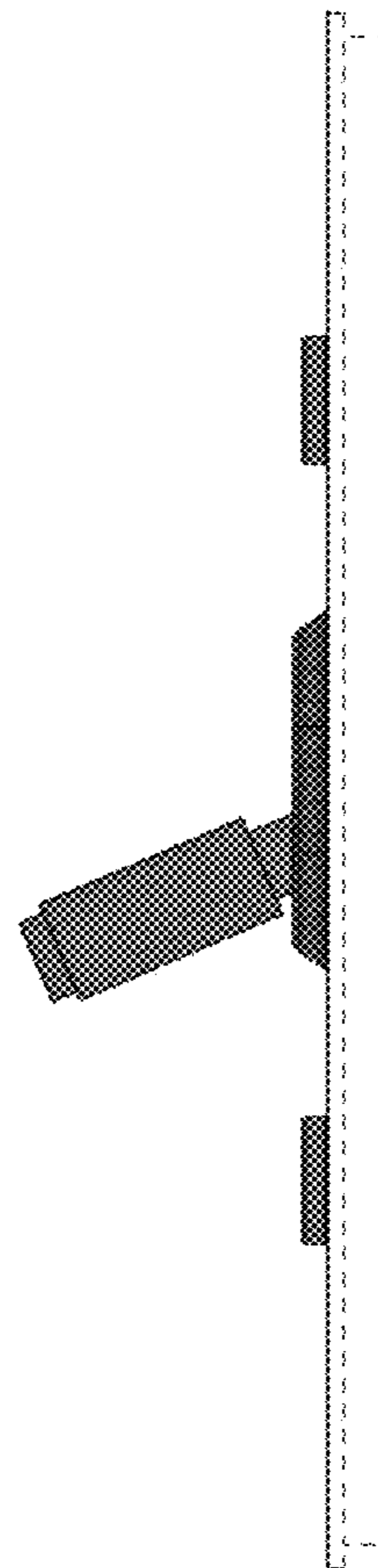


FIG. 8

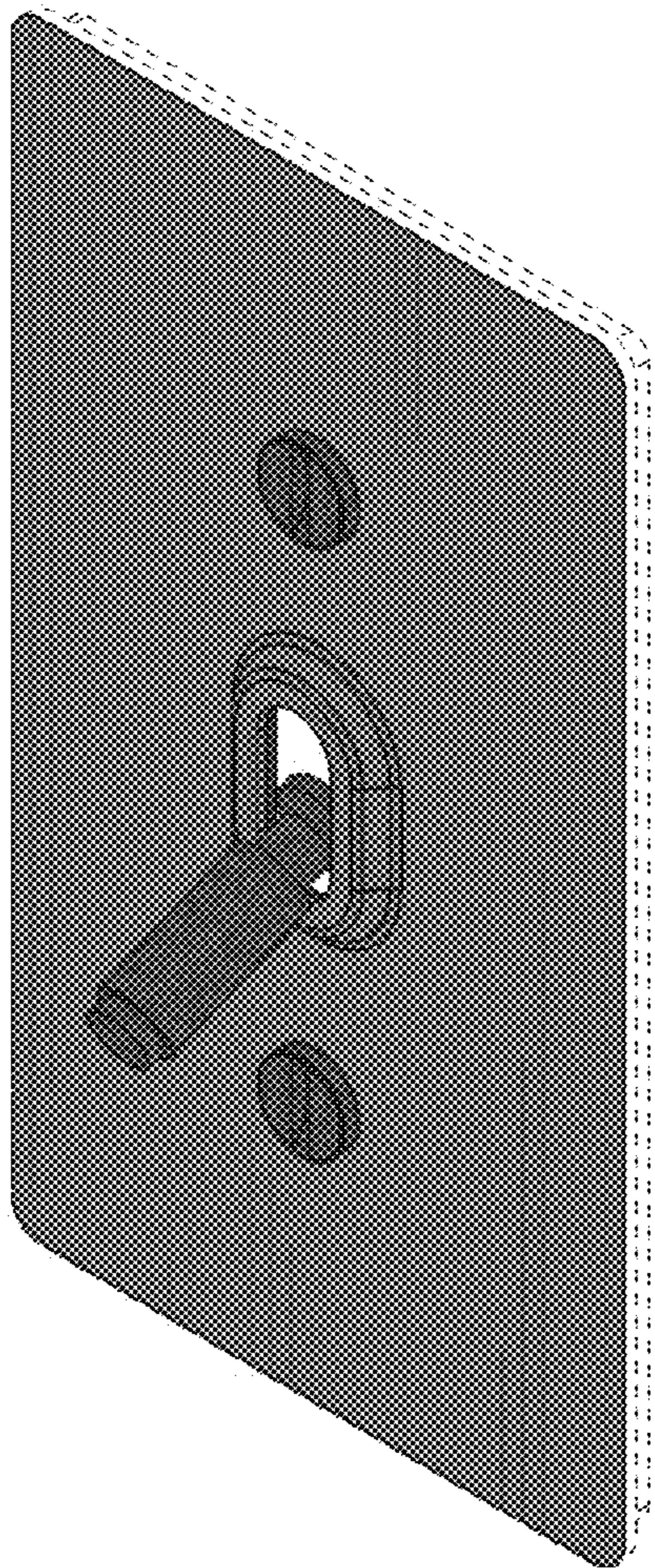


FIG. 9

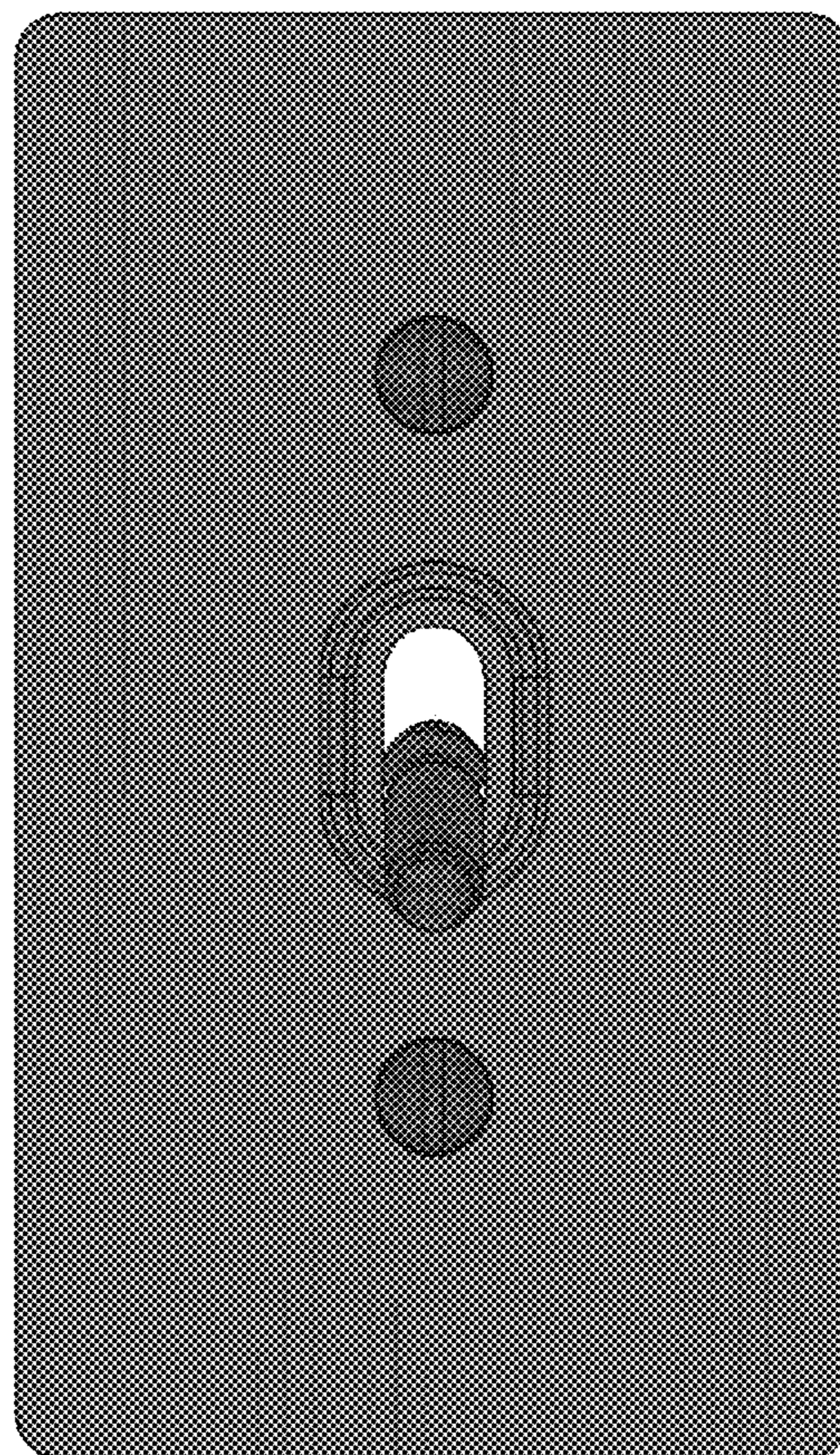


FIG. 10

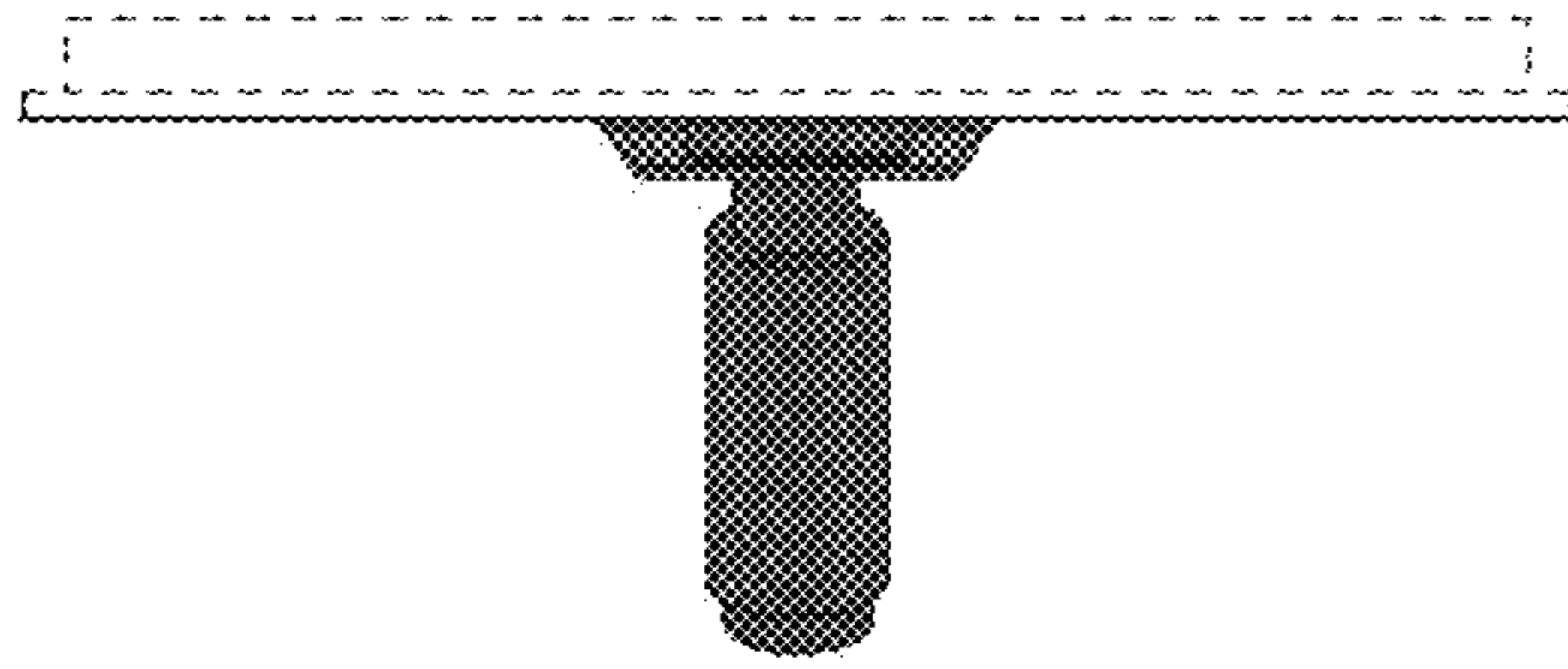


FIG. 11

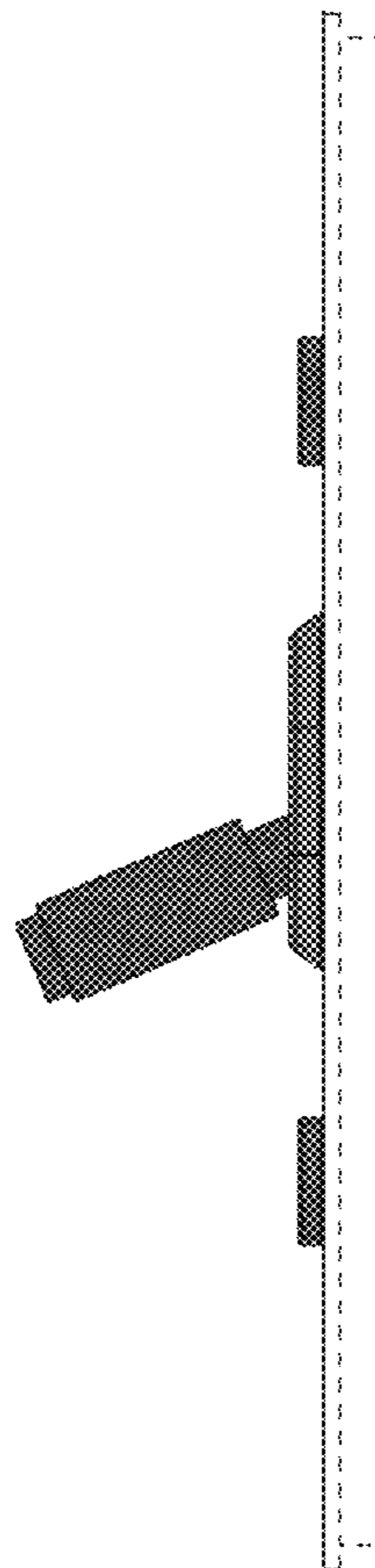


FIG. 12