



US00D776627S

(12) **United States Design Patent**
Shimohama et al.

(10) **Patent No.:** **US D776,627 S**
(45) **Date of Patent:** **** Jan. 17, 2017**

(54) **DATA ENTRY DEVICE FOR NUMERICAL CONTROLLER**

(71) Applicant: **Mitsubishi Electric Corporation,**
Tokyo (JP)

(72) Inventors: **Kayo Shimohama,** Tokyo (JP);
Shoichiro Hayashi, Tokyo (JP);
Takahisa Kato, Tokyo (JP); **Hirohisa Naguchi,** Tokyo (JP)

(73) Assignee: **Mitsubishi Electric Corporation,**
Tokyo (JP)

(**) Term: **14 Years**

(21) Appl. No.: **29/523,455**

(22) Filed: **Apr. 9, 2015**

(30) **Foreign Application Priority Data**

Dec. 22, 2014 (JP) 2014-028748
Dec. 22, 2014 (JP) 2014-028749
Dec. 22, 2014 (JP) 2014-028750

(51) **LOC (10) Cl.** **13-03**

(52) **U.S. Cl.**
USPC **D13/164**

(58) **Field of Classification Search**
USPC D13/162, 162.1, 164; D10/49, 50;
D14/336, 371
CPC . G05B 19/0425; G05B 19/0426; G05B 19/05;
G05B 19/409; G05B 19/4147; G06F
3/0484; G06F 3/0489; G06F 1/1601
See application file for complete search history.

(56) **References Cited**

U.S. PATENT DOCUMENTS

D275,851 S * 10/1984 Bambeck D13/164
4,524,414 A * 6/1985 Kiyokawa G05B 19/409
345/168

D280,406 S * 9/1985 Walker D13/164
4,916,639 A * 4/1990 Yoneda G05B 19/409
700/180
D334,542 S * 4/1993 Lowe D10/104.1
5,724,069 A * 3/1998 Chen G06F 3/0489
345/172
D406,830 S * 3/1999 Herbstritt D10/103
7,092,248 B2 * 8/2006 Shu G06F 1/1601
312/223.1
D559,792 S * 1/2008 Gemme D13/162
D573,108 S * 7/2008 Pan D13/164
7,499,029 B2 * 3/2009 Hara G06F 1/1616
345/168
7,978,465 B2 * 7/2011 Osaka G05B 19/05
248/917
D753,607 S * 4/2016 Lee D13/162
2003/0040884 A1 * 2/2003 Walther G05B 19/409
702/150
2010/0175012 A1 * 7/2010 Allstrom G05B 19/0428
715/771

(Continued)

Primary Examiner — Selina Sikder

(74) *Attorney, Agent, or Firm* — Studebaker & Brackett
PC

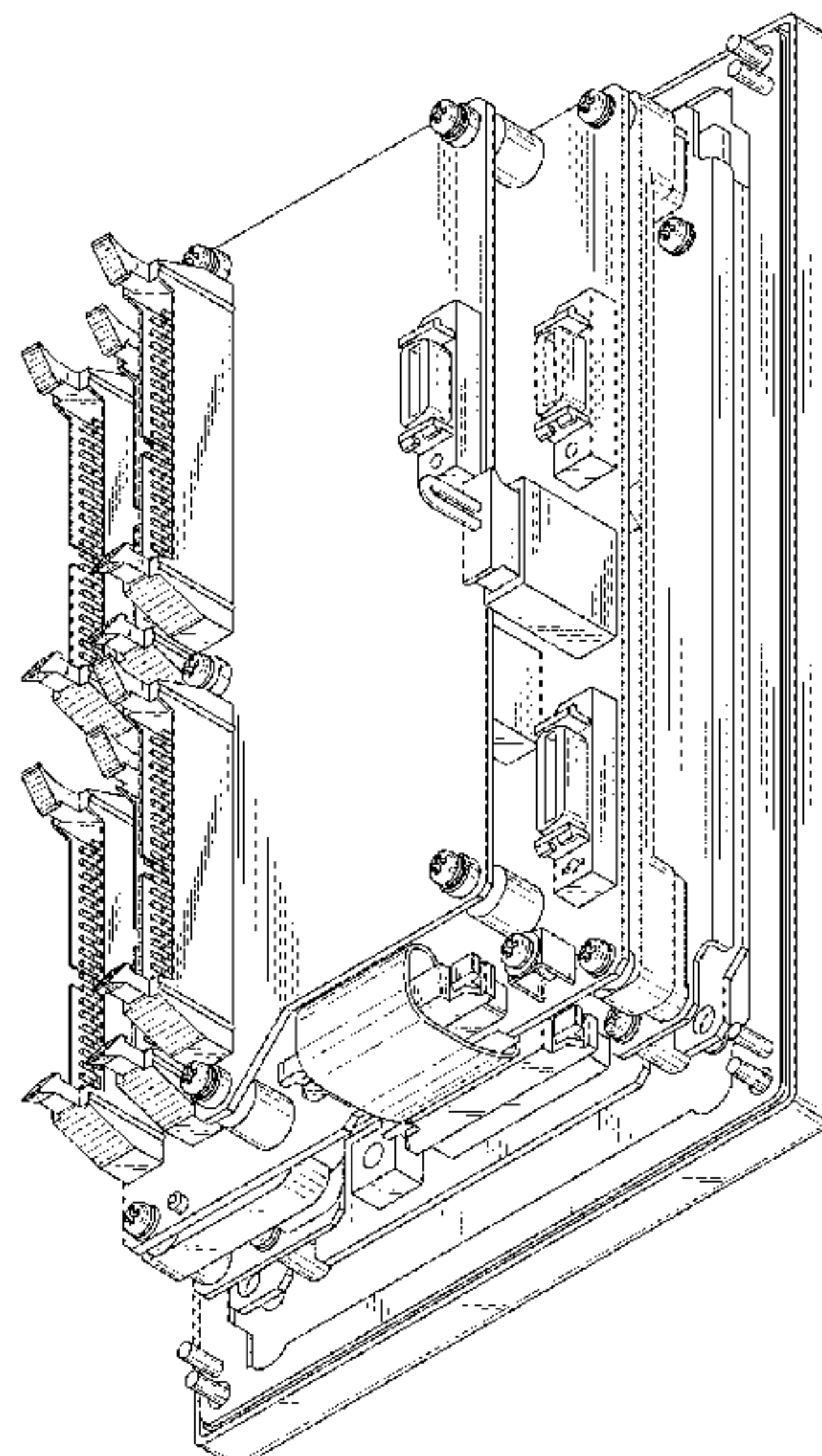
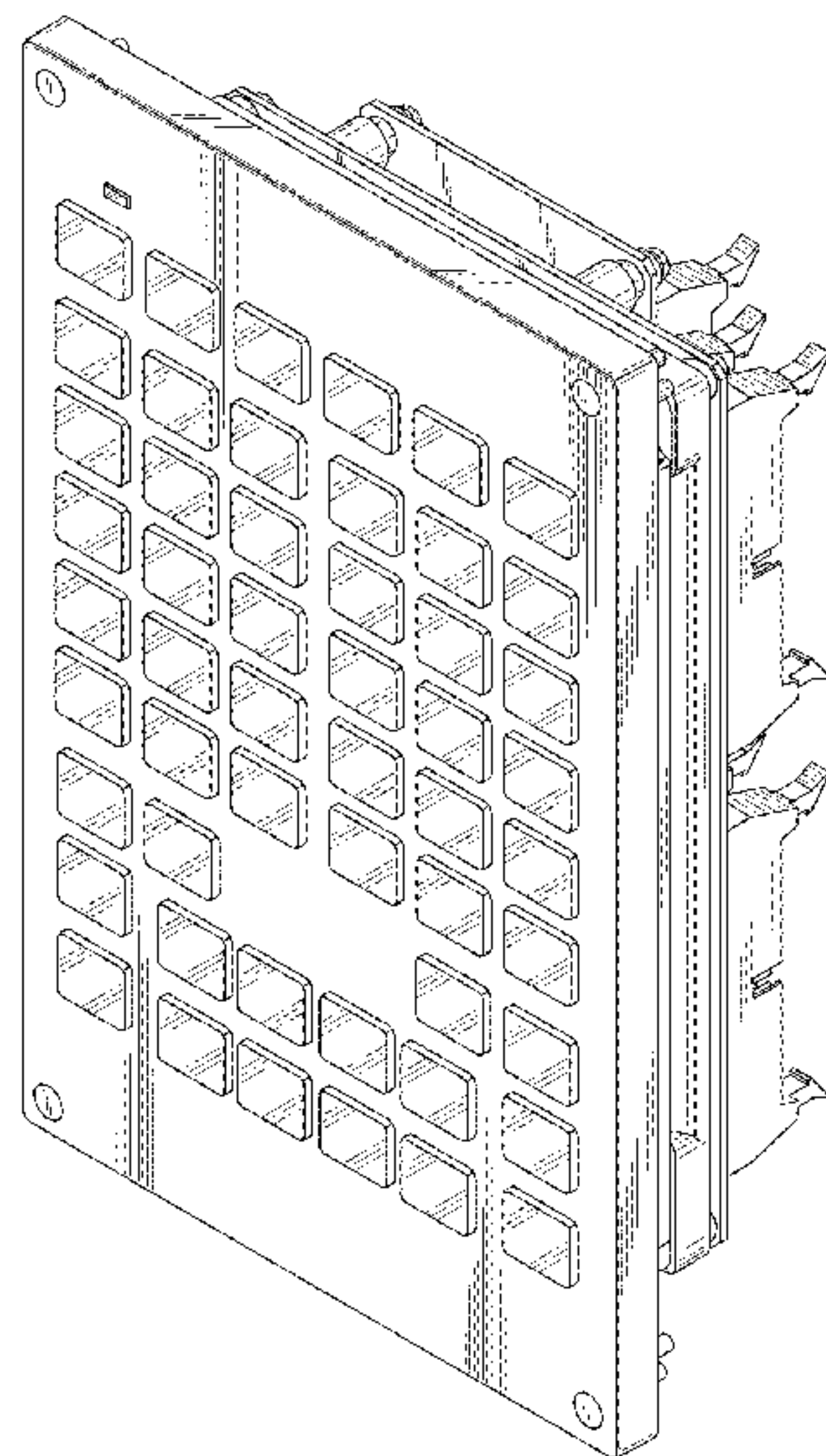
(57) **CLAIM**

The ornamental design for data entry device for numerical controller, as shown and described.

DESCRIPTION

FIG. 1 is a front perspective view of a data entry device for numerical controller, showing our new design; FIG. 2 is a rear perspective view thereof; FIG. 3 is a front elevational view thereof; FIG. 4 is a rear elevational view thereof; FIG. 5 is a left side elevational view thereof; FIG. 6 is a right side elevational view thereof; FIG. 7 is a top plan view thereof; and, FIG. 8 is a bottom plan view thereof.

1 Claim, 8 Drawing Sheets



(56)

References Cited

U.S. PATENT DOCUMENTS

2012/0109343	A1 *	5/2012	Shah	G05B 19/409 700/83
2012/0268240	A1 *	10/2012	Frerking	G05B 19/409 340/5.51
2015/0205287	A1 *	7/2015	Igarashi	B23Q 1/0045 318/591
2016/0048121	A1 *	2/2016	Shinohara	G05B 19/409 700/179
2016/0113130	A1 *	4/2016	Le	G02F 1/0105 361/679.01

* cited by examiner

FIG. 1

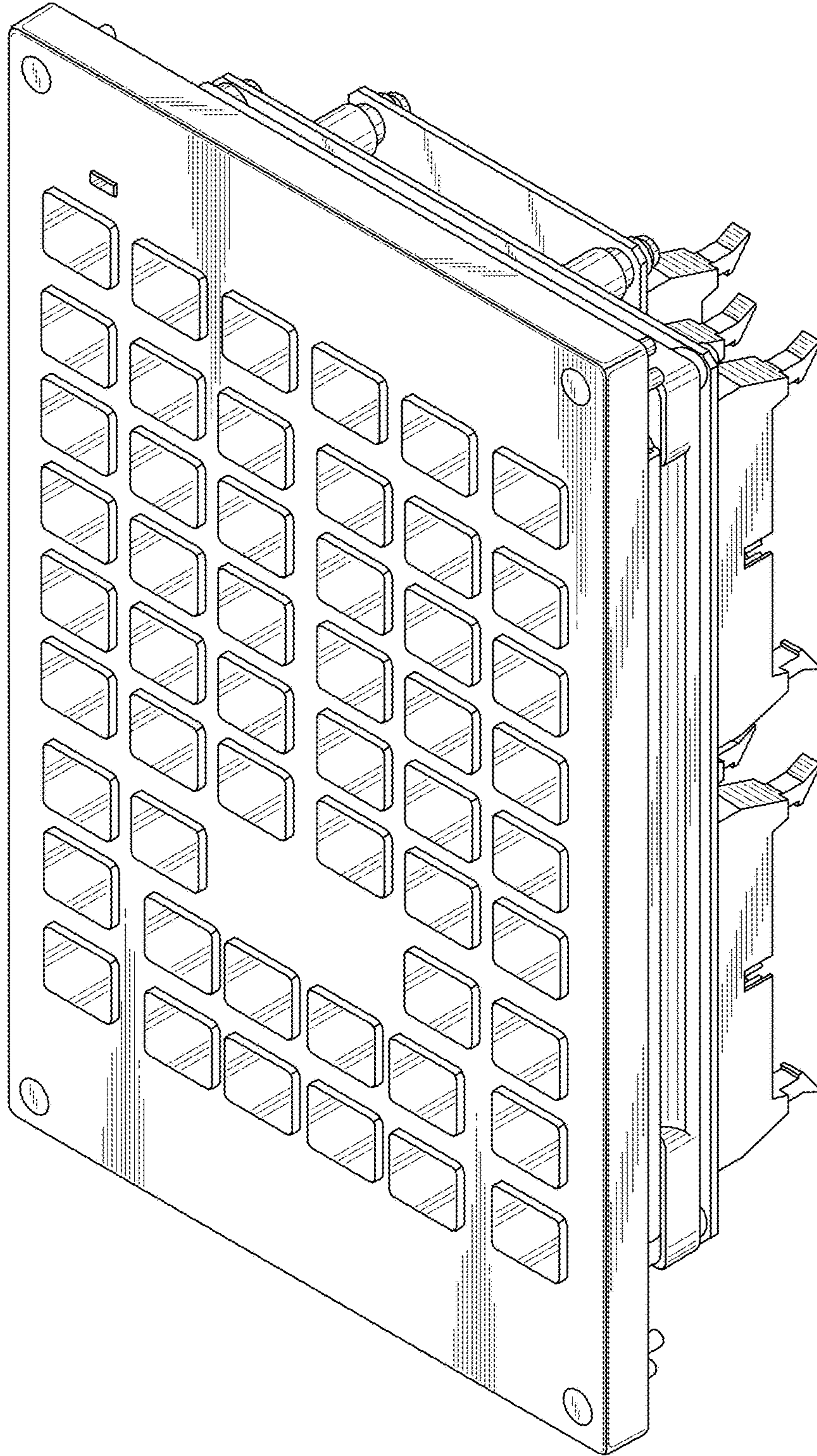


FIG. 2

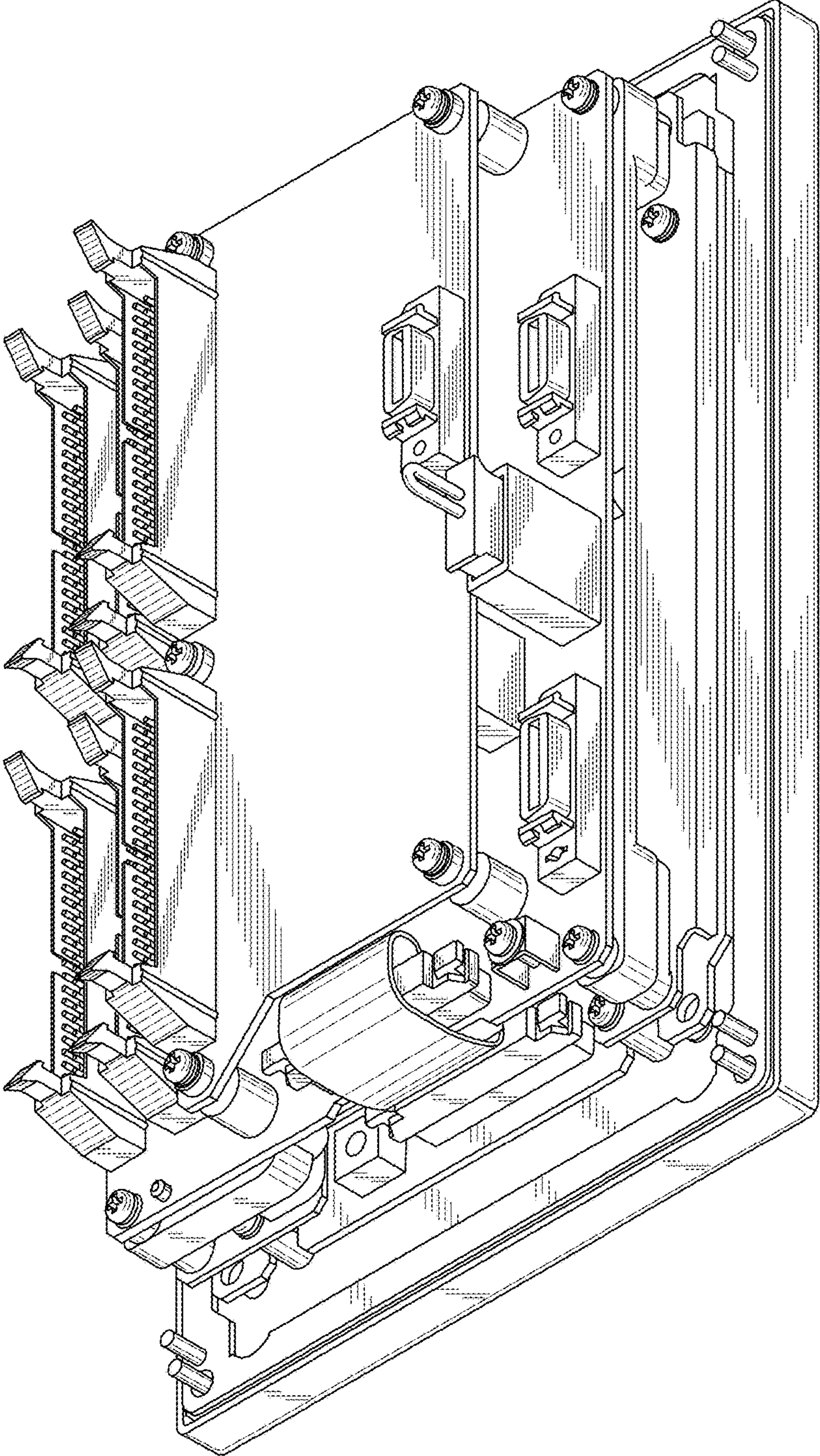


FIG. 3

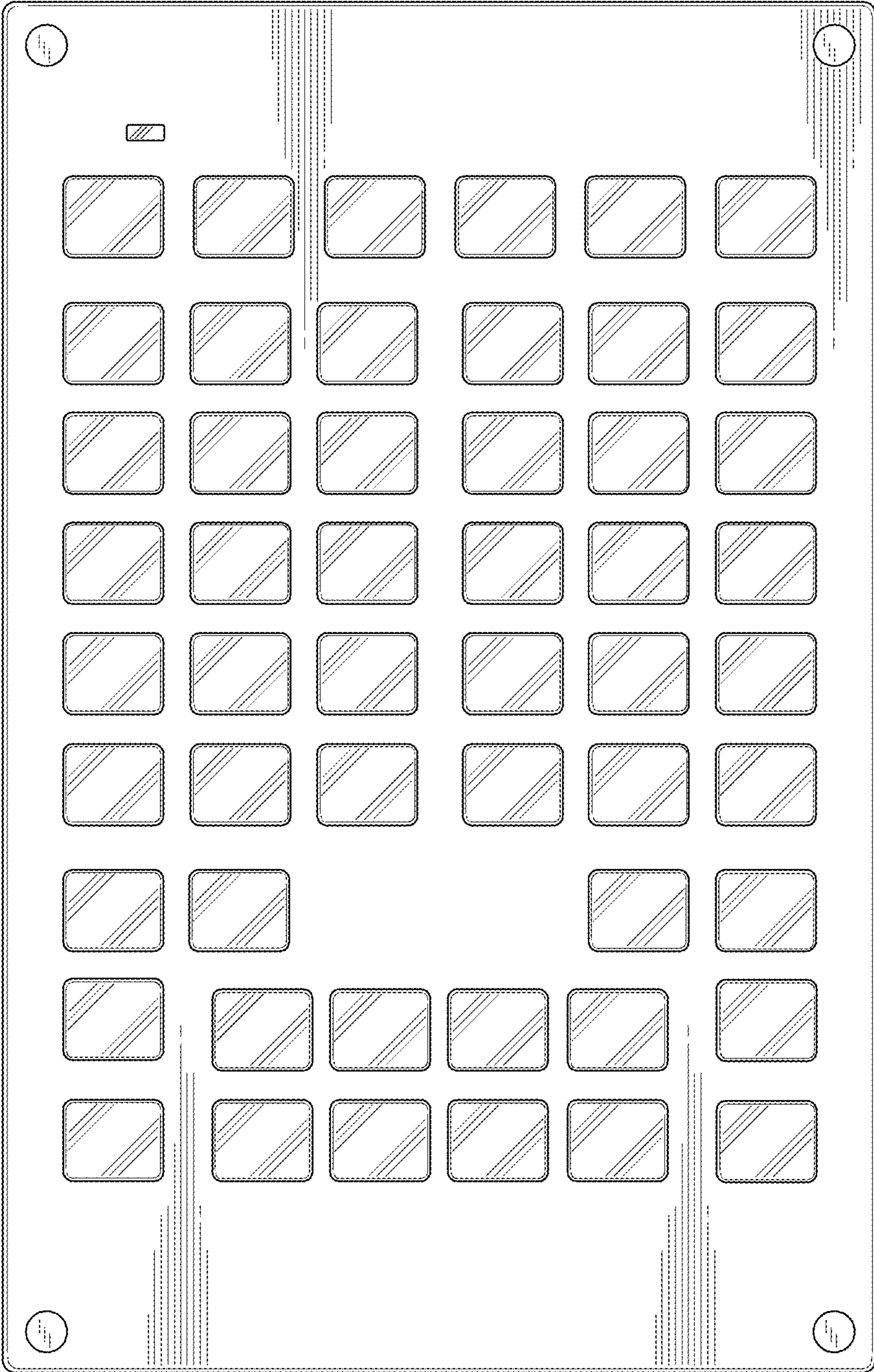


FIG. 4

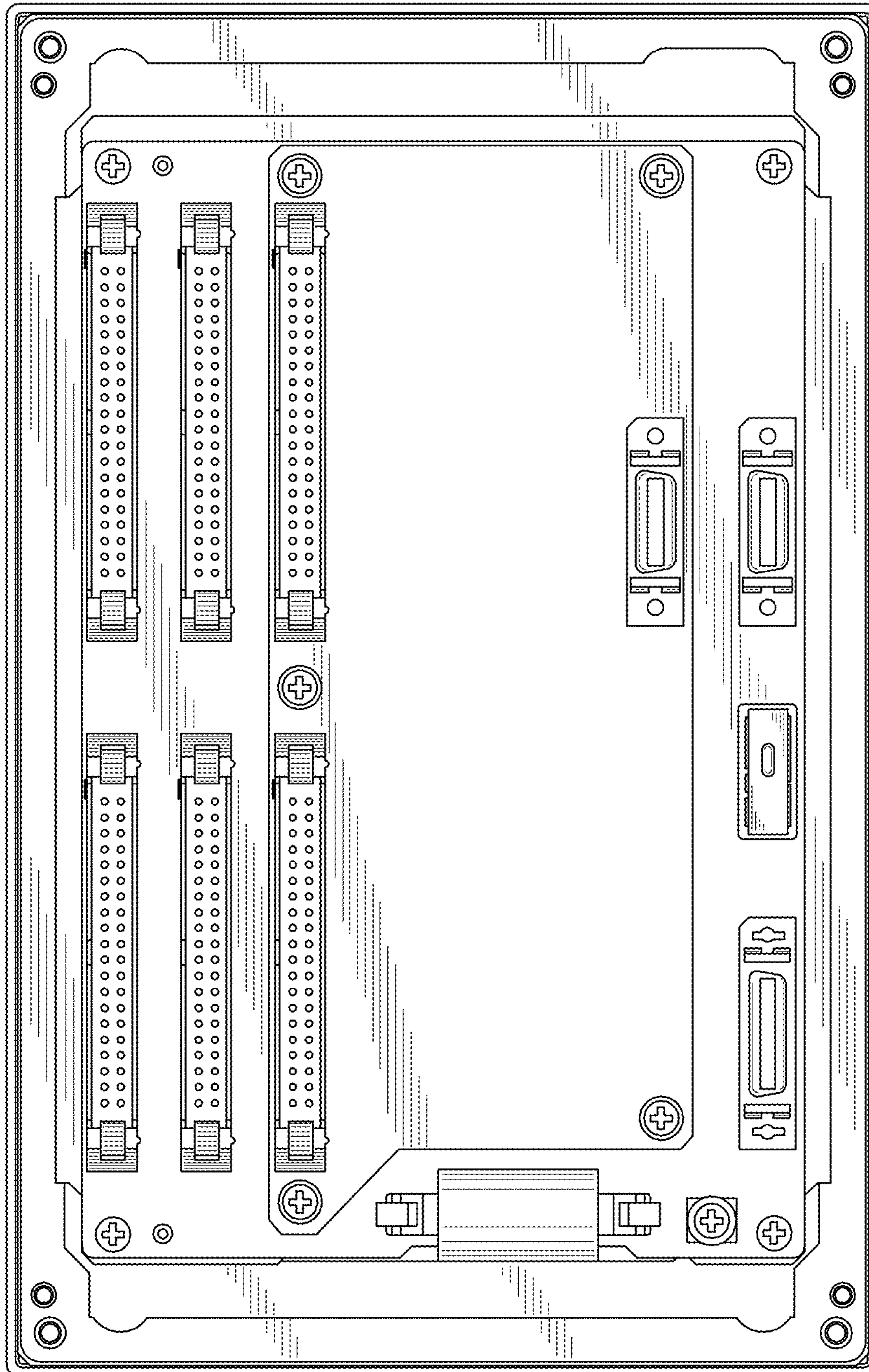


FIG. 5

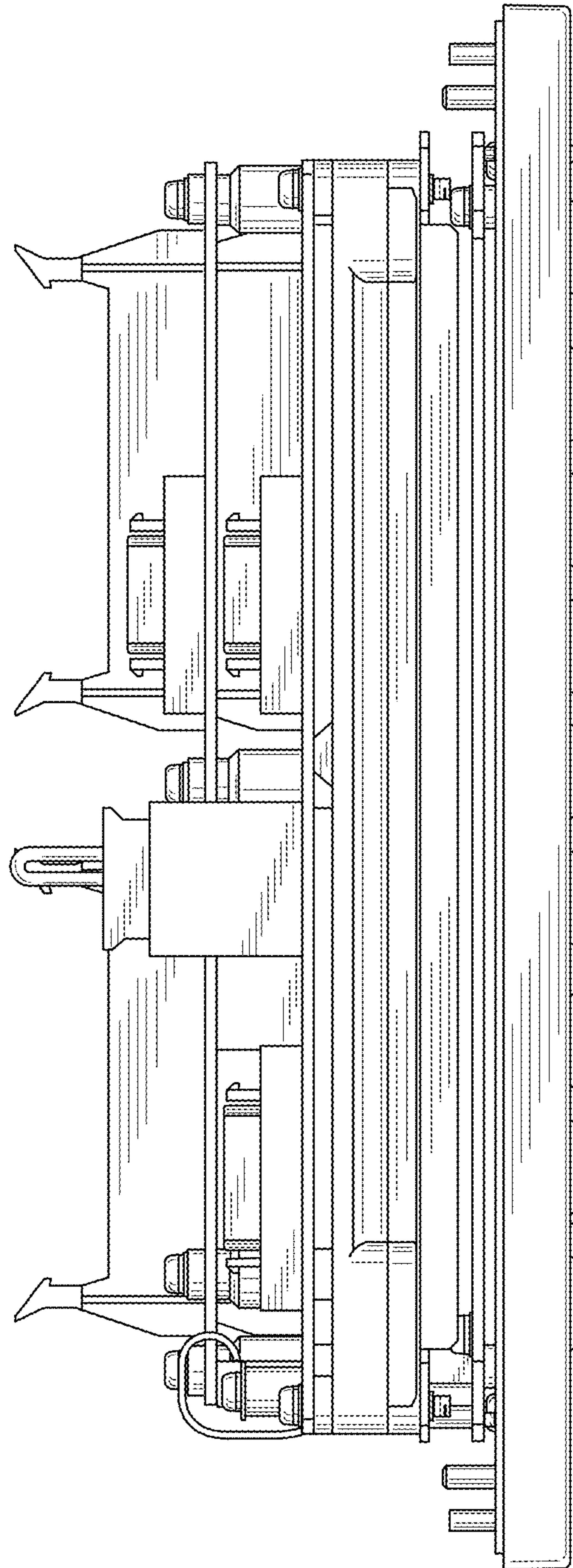


FIG. 6

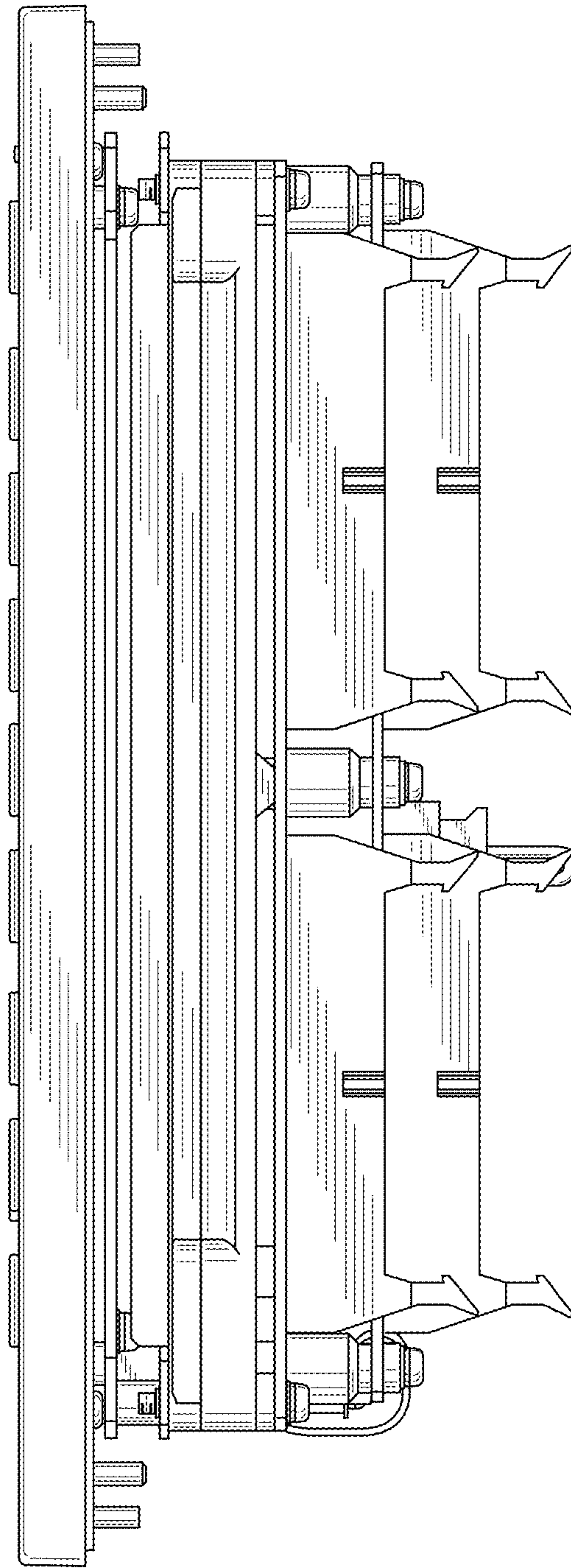


FIG. 7

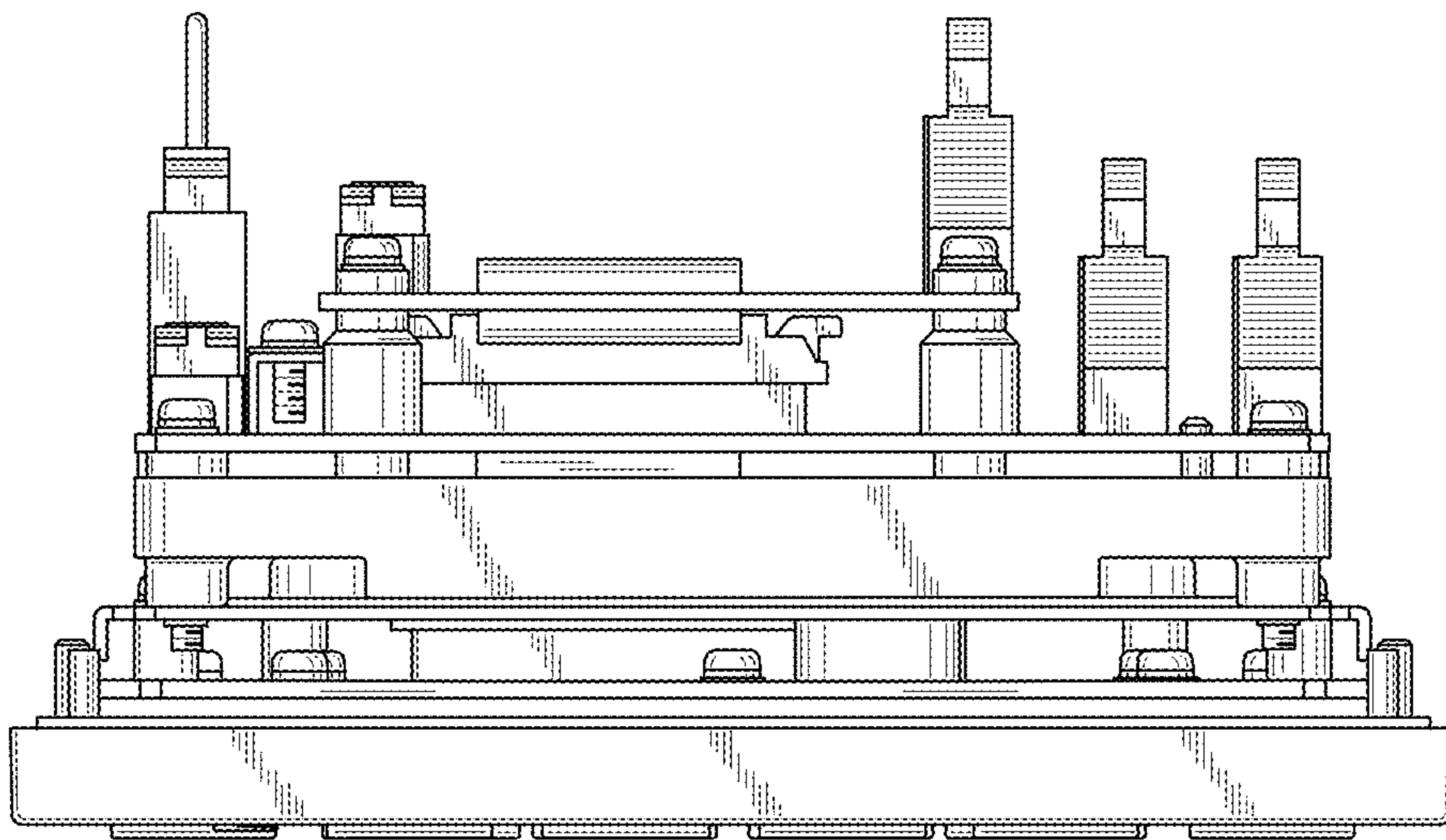


FIG. 8

