



US00D776624S

(12) **United States Design Patent** (10) **Patent No.:** **US D776,624 S**
Broere (45) **Date of Patent:** **** Jan. 17, 2017**

- (54) **ANGLE HOOD**
- (71) Applicant: **A.C. Dandy Products Ltd.,** Wetaskiwin (CA)
- (72) Inventor: **Hans Broere,** Wetaskiwin (CA)
- (73) Assignee: **A.C. Dandy Products Ltd.,** Wetaskiwin, AB (CA)
- (**) Term: **15 Years**
- (21) Appl. No.: **29/541,530**
- (22) Filed: **Oct. 5, 2015**
- (51) **LOC (10) Cl.** **13-03**
- (52) **U.S. Cl.**
USPC **D13/156**
- (58) **Field of Classification Search**
USPC D13/110, 123, 133, 137.1, 139.1, 139.4, D13/152, 154, 155, 156, 158, 162, 164, D13/173, 177, 184; D8/349-351, 353; 174/67, 66; D10/49; 439/147-149, 373, 439/391, 535, 536, 538; 220/241, 242; 361/600, 707, 752; D14/240, 358, 480.5; D26/85
CPC H05K 5/0013; H05K 5/006; H05K 5/0073; H05K 7/1417; H02G 3/14
See application file for complete search history.

- 3,594,693 A * 7/1971 Robbins H01R 13/447
174/67
- 3,686,425 A * 8/1972 Zerwes H02B 1/44
174/53
- 4,553,000 A * 11/1985 Appleton H01R 13/629
200/50.29
- D288,281 S * 2/1987 Spicer D6/553
- D304,367 S * 10/1989 Saas D23/373
- D324,853 S * 3/1992 Johnson D13/154
- D332,139 S * 12/1992 Courchesne D23/385
- 5,298,701 A * 3/1994 Sandor H01R 13/707
200/50.31
- 5,317,108 A * 5/1994 Prairie, Jr. H02G 3/14
174/67
- D379,797 S * 6/1997 Arnett D13/156
- D397,431 S * 8/1998 Meyer D23/371
- D401,561 S * 11/1998 Brownell D13/156
- D440,358 S * 4/2001 Stewart D30/108
- D540,656 S * 4/2007 Corbin D8/353
- D553,475 S * 10/2007 Gorin D8/353

(Continued)

Primary Examiner — Derrick Holland
Assistant Examiner — Jennifer O King
 (74) *Attorney, Agent, or Firm* — Miller Thompson LLP;
 Tai W. Nahm

(57) **CLAIM**

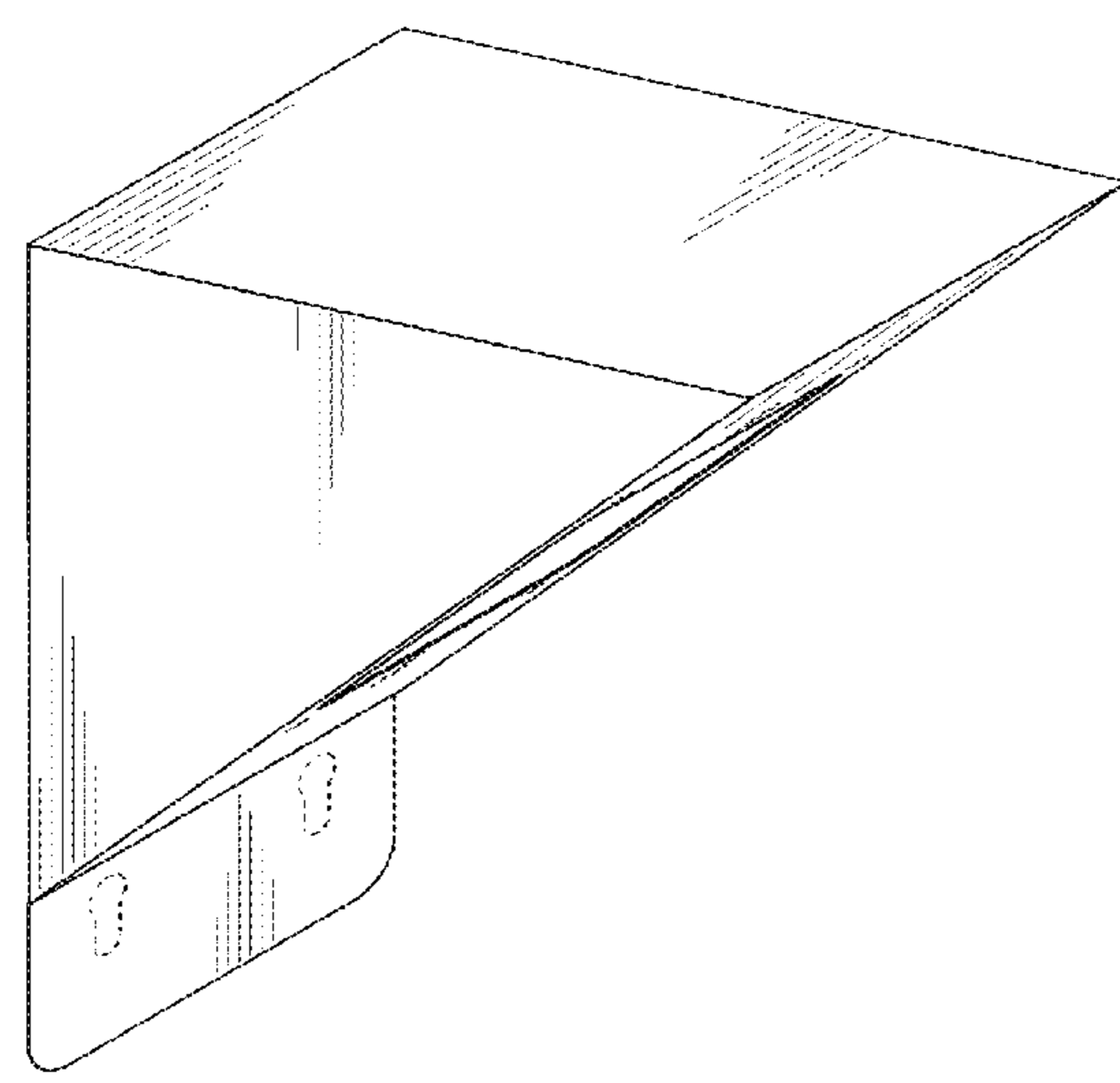
The ornamental design for an angle hood, as shown and described.

DESCRIPTION

FIG. 1 illustrates a top, front, left perspective view of an angle hood in accordance with the new design.
 FIG. 2 is a front view thereof;
 FIG. 3 is a rear view thereof;
 FIG. 4 is a right side view thereof;
 FIG. 5 is a left side view thereof;
 FIG. 6 is a top view thereof; and,
 FIG. 7 is a bottom view thereof.
 The broken lines shown represent unclaimed subject matter and form no part of the claimed design.

1 Claim, 4 Drawing Sheets

- (56) **References Cited**
- U.S. PATENT DOCUMENTS
- D30,059 S * 1/1899 Tracy D23/387
- D131,009 S * 1/1942 Leslie D23/373
- D131,010 S * 1/1942 Leslie D23/373
- D132,821 S * 6/1942 Leslie D23/373
- D134,477 S * 12/1942 Leslie D23/373
- 3,156,213 A * 11/1964 Patten A01K 1/0236
119/497
- 3,439,108 A * 4/1969 Zerwes H01R 13/5213
174/53
- 3,561,757 A * 2/1971 Schillig A63B 9/00
434/403



(56)

References Cited

U.S. PATENT DOCUMENTS

7,399,920 B2 * 7/2008 Gorin H02G 3/14
174/53
D579,096 S * 10/2008 Guzorek D23/370
7,834,267 B1 * 11/2010 Gretz H02G 3/083
174/53
8,316,592 B2 * 11/2012 Lanza E04D 1/30
248/237
D696,392 S * 12/2013 Funnell, II D23/371
2015/0111423 A1 * 4/2015 Broere B60L 11/1825
439/527

* cited by examiner

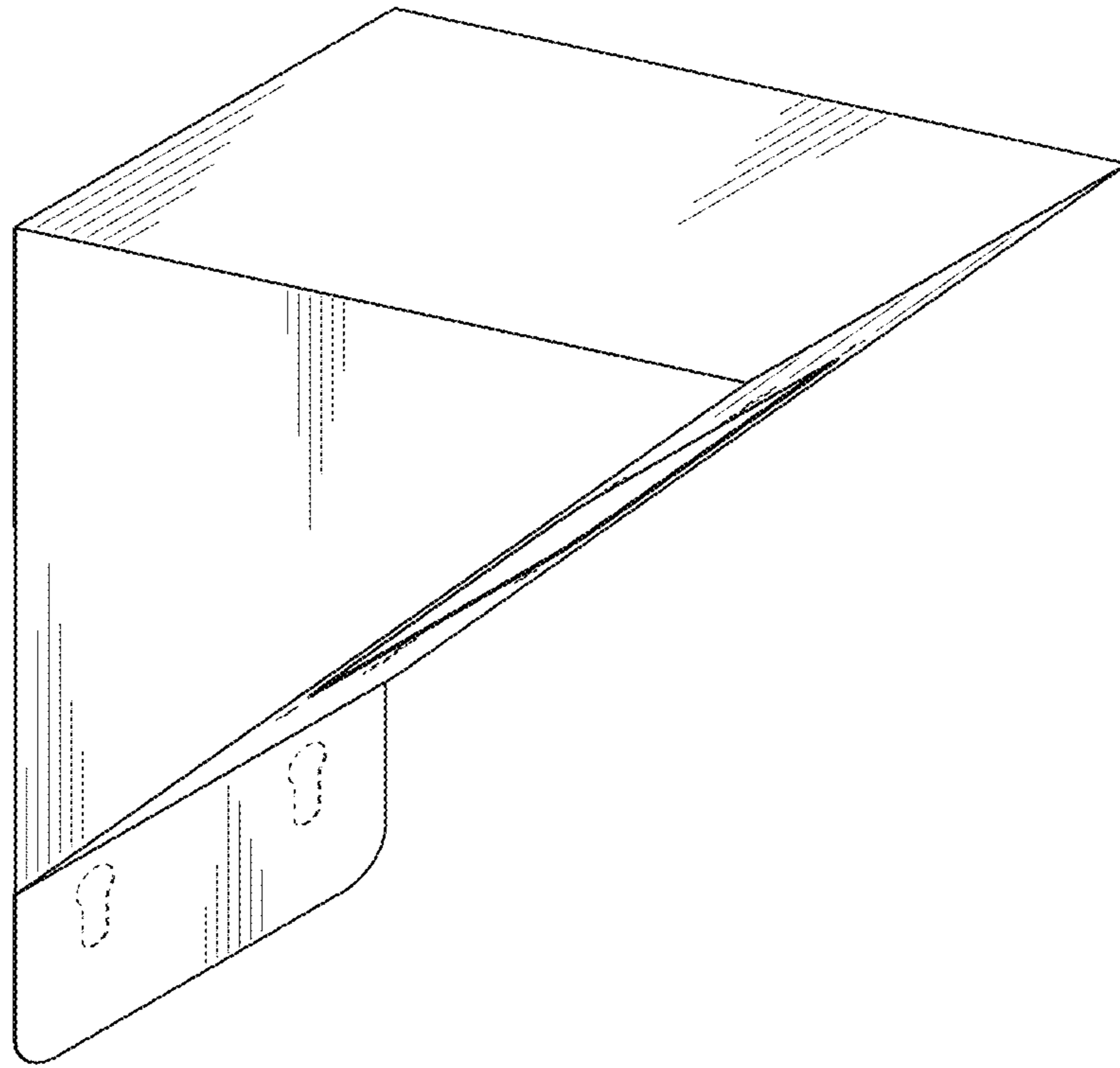


FIG. 1

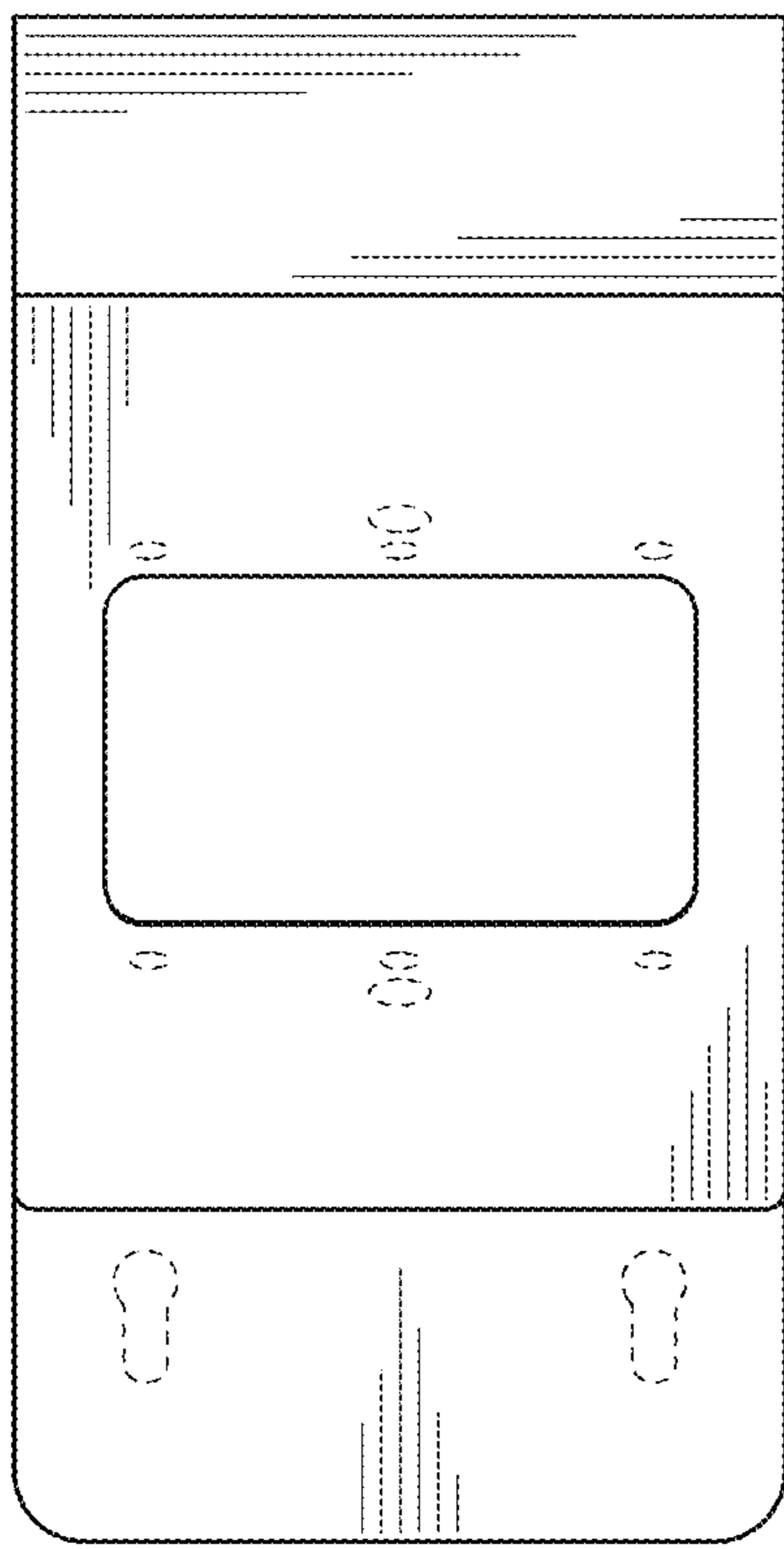


FIG. 2

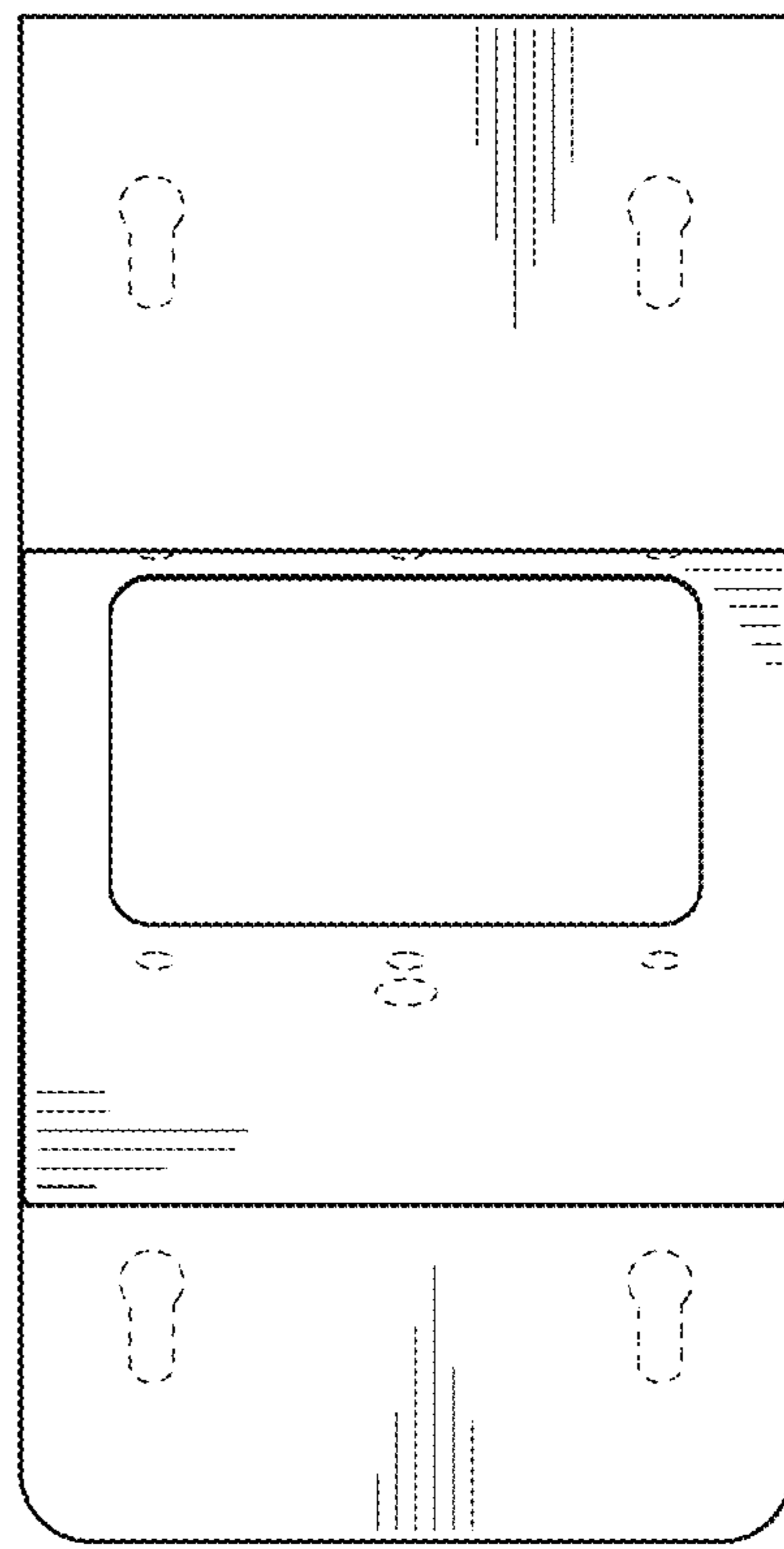


FIG. 3

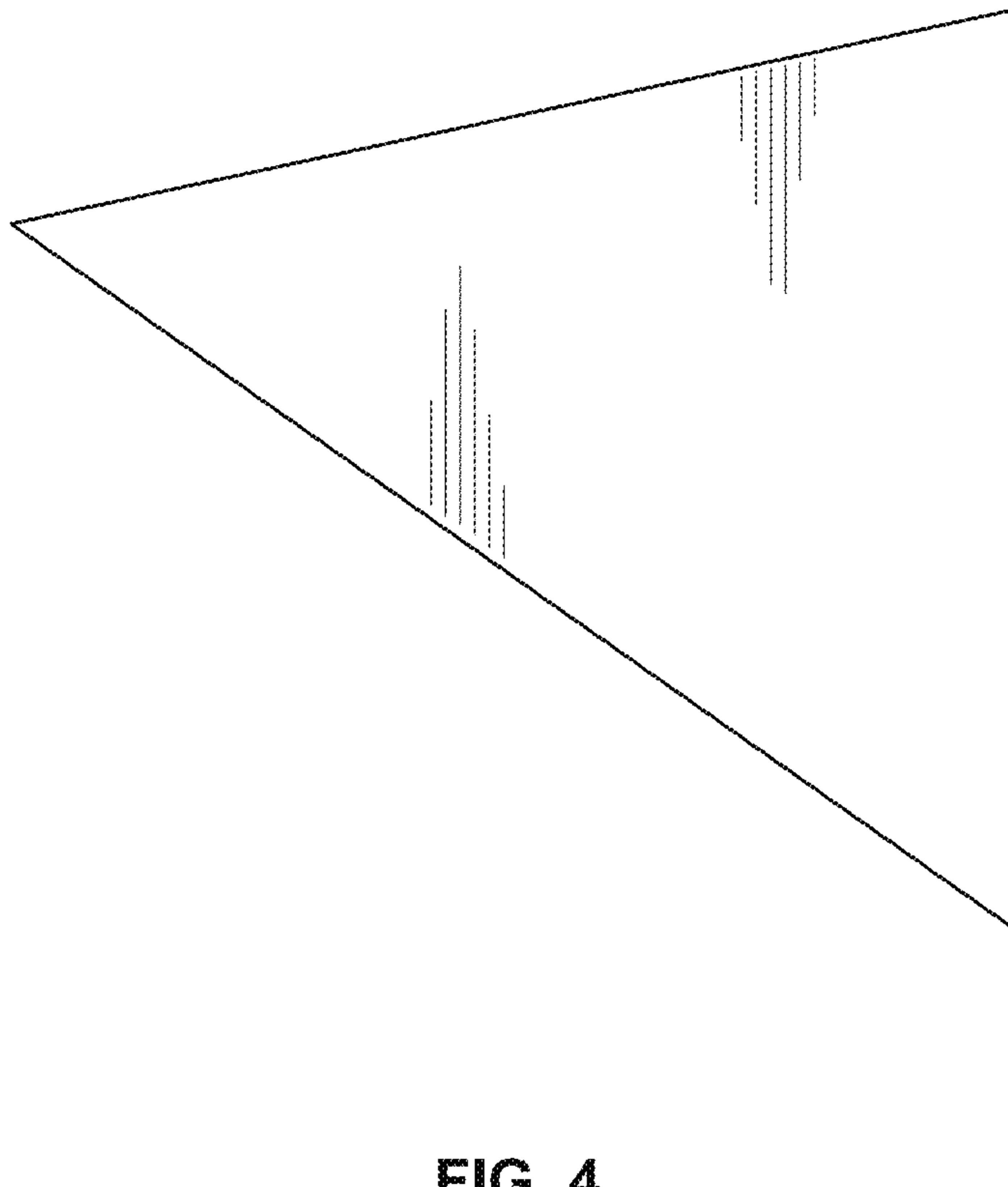


FIG. 4

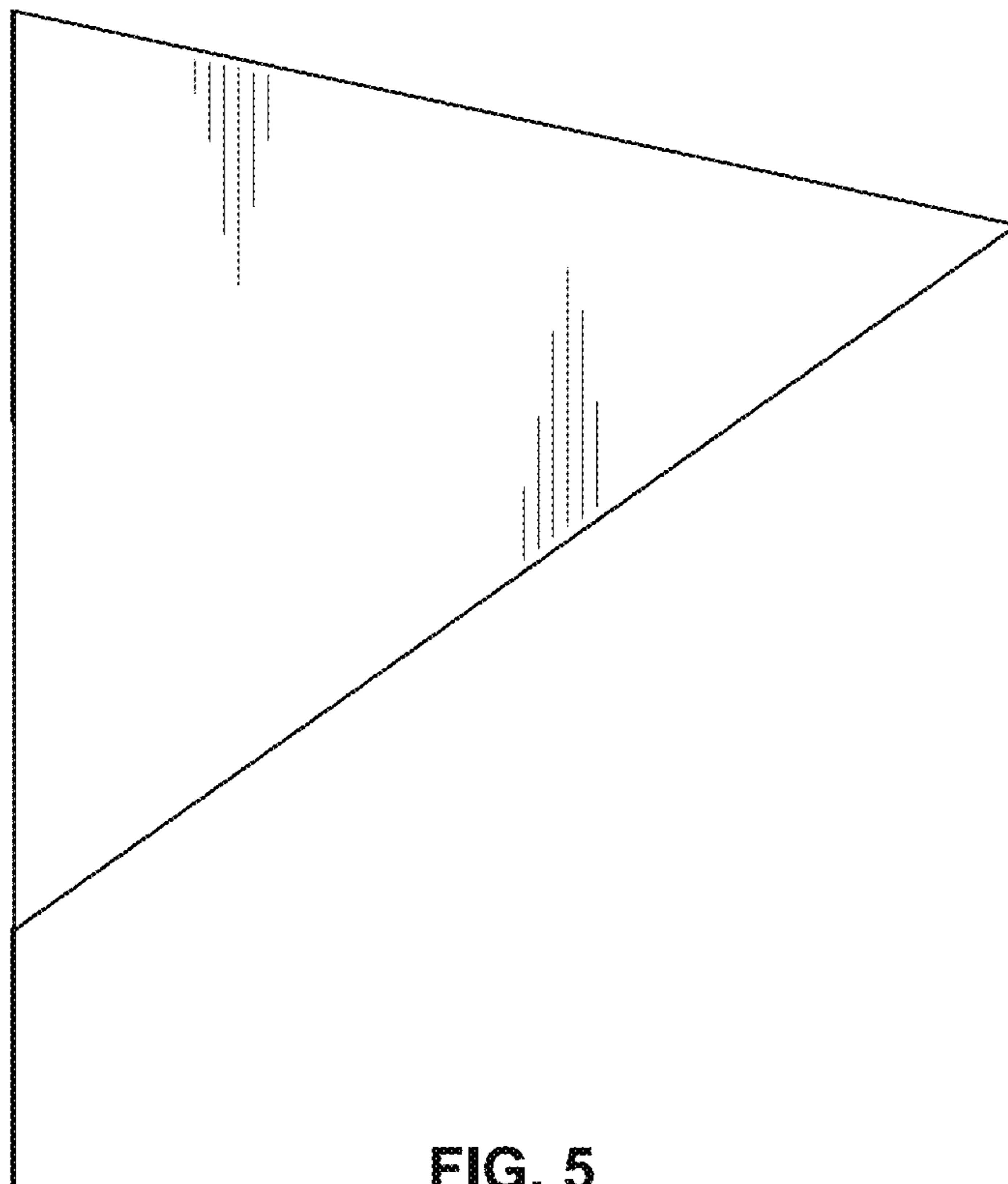


FIG. 5

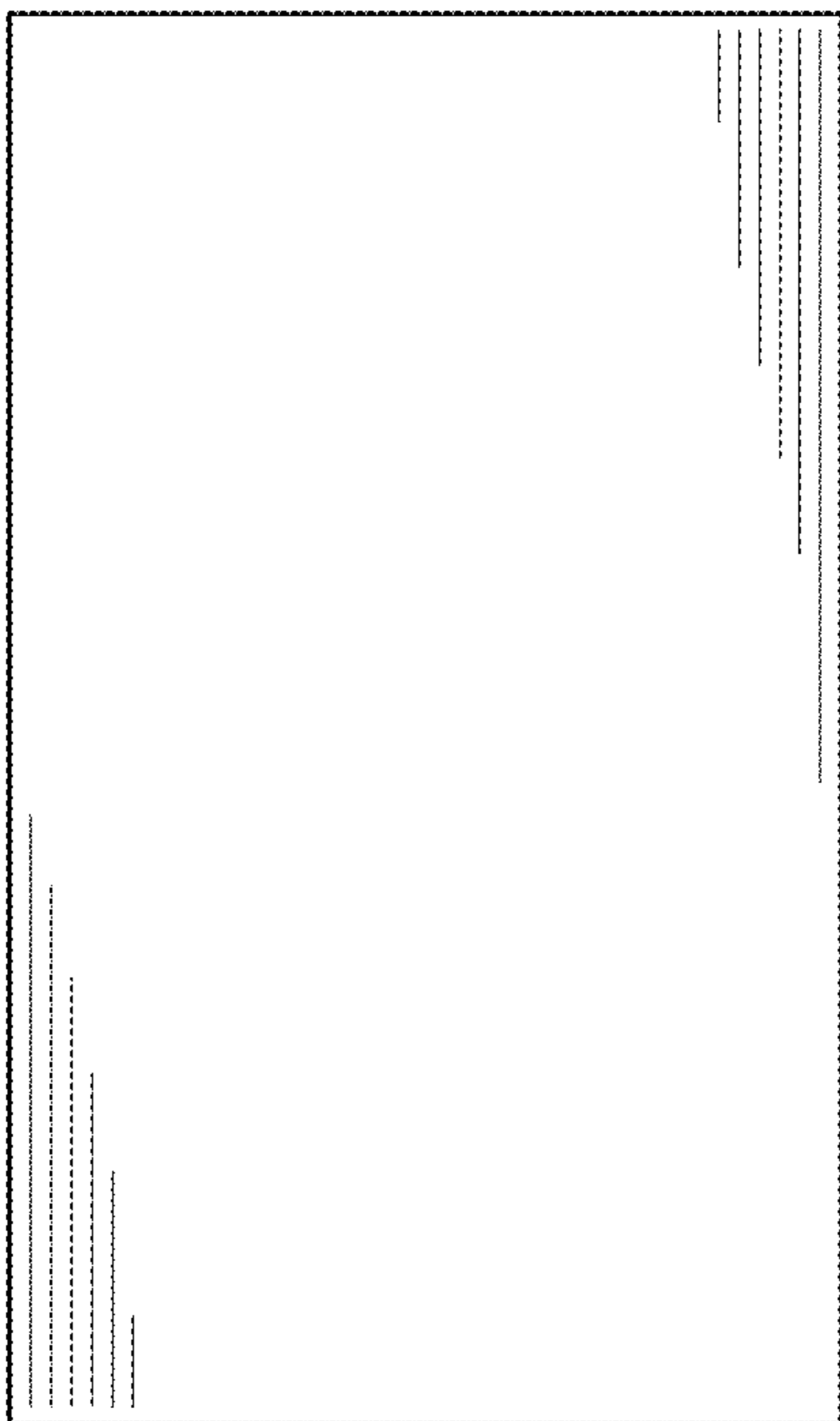


FIG. 6

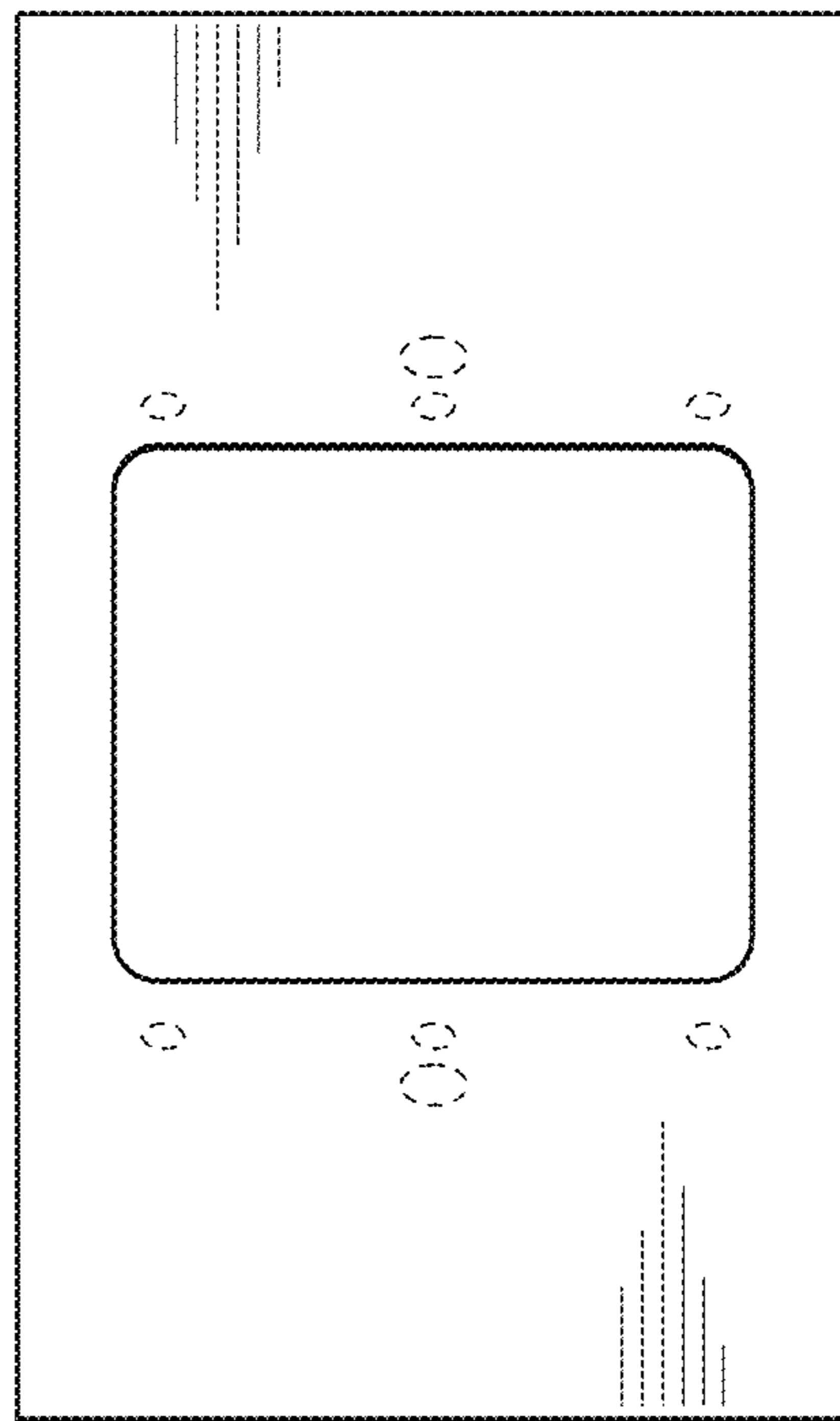


FIG. 7