



US00D776623S

(12) **United States Design Patent**
Jenkins

(10) **Patent No.:** **US D776,623 S**
(45) **Date of Patent:** **** Jan. 17, 2017**

- (54) **EXTENSION CORD COVER**
- (71) Applicant: **Sam Jenkins**, Pflugerville, TX (US)
- (72) Inventor: **Sam Jenkins**, Pflugerville, TX (US)
- (**) Term: **14 Years**
- (21) Appl. No.: **29/525,191**
- (22) Filed: **Apr. 28, 2015**
- (51) **LOC (10) Cl.** **13-03**
- (52) **U.S. Cl.**
USPC **D13/156**
- (58) **Field of Classification Search**
USPC D13/120-121, 123, 133, 154, 156,
D13/158, 160, 173, 178, 184, 199;
174/50, 520, 67, 92, 93; 361/600;
439/723, 752, 135, 149, 367
CPC . H01R 13/6392; H01R 13/424; H01R 13/426;
H01R 13/4362; H01R 13/5213
See application file for complete search history.

D464,325 S * 10/2002 Peters D13/156
7,189,100 B1 * 3/2007 Colbourne H01R 13/6392
439/367
7,285,725 B1 10/2007 Saman
D586,757 S * 2/2009 Minnick D13/156
7,553,181 B1 * 6/2009 Van Dalinda,
III H01R 13/6392
174/92
D607,412 S 1/2010 Palomaki
8,129,631 B1 * 3/2012 Shemtov H02G 3/14
174/480
2004/0175983 A1 9/2004 Davis

FOREIGN PATENT DOCUMENTS

WO WO2013033161 A1 3/2013
* cited by examiner

Primary Examiner — Derrick Holland
Assistant Examiner — Jennifer O King

(57) **CLAIM**

I claim the ornamental design for an extension cord cover, as shown and described.

(56) **References Cited**

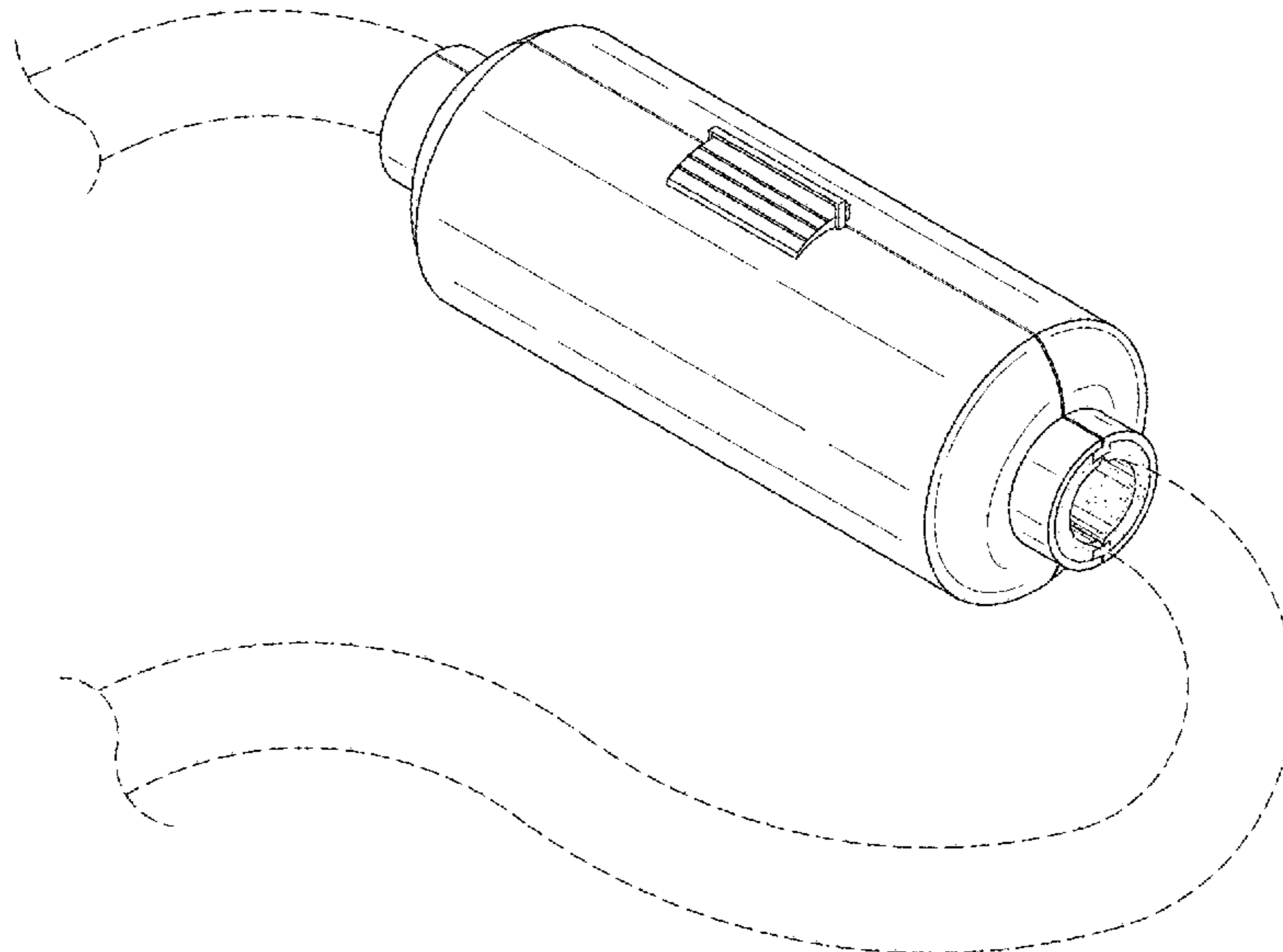
U.S. PATENT DOCUMENTS

- 1,627,286 A * 5/1927 Ile H01R 13/447
439/686
- 1,895,791 A * 1/1933 Garford H02G 3/14
220/3.8
- D207,535 S * 5/1967 Wahl D13/156
- 4,031,312 A 6/1977 Coleman
- 4,643,505 A 2/1987 House
- D296,779 S * 7/1988 Watson D13/156
- 5,139,429 A 8/1992 Herman
- 5,217,387 A 6/1993 Hull
- 5,259,782 A * 11/1993 Giffin H01R 13/6392
439/314
- 5,584,720 A 12/1996 Elswick
- 6,220,893 B1 * 4/2001 Stephan H01R 4/30
439/519

DESCRIPTION

FIG. 1 is a front view of an extension cord cover shown in an open configuration.
FIG. 2 is a rear view thereof.
FIG. 3 is a side view thereof.
FIG. 4 is a top view thereof.
FIG. 5 is a bottom view thereof; and,
FIG. 6 is a perspective view thereof shown in use and in a closed configuration.
The broken lines shown in FIG. 6 represent an electrical cord and form no part of the claimed design.

1 Claim, 5 Drawing Sheets



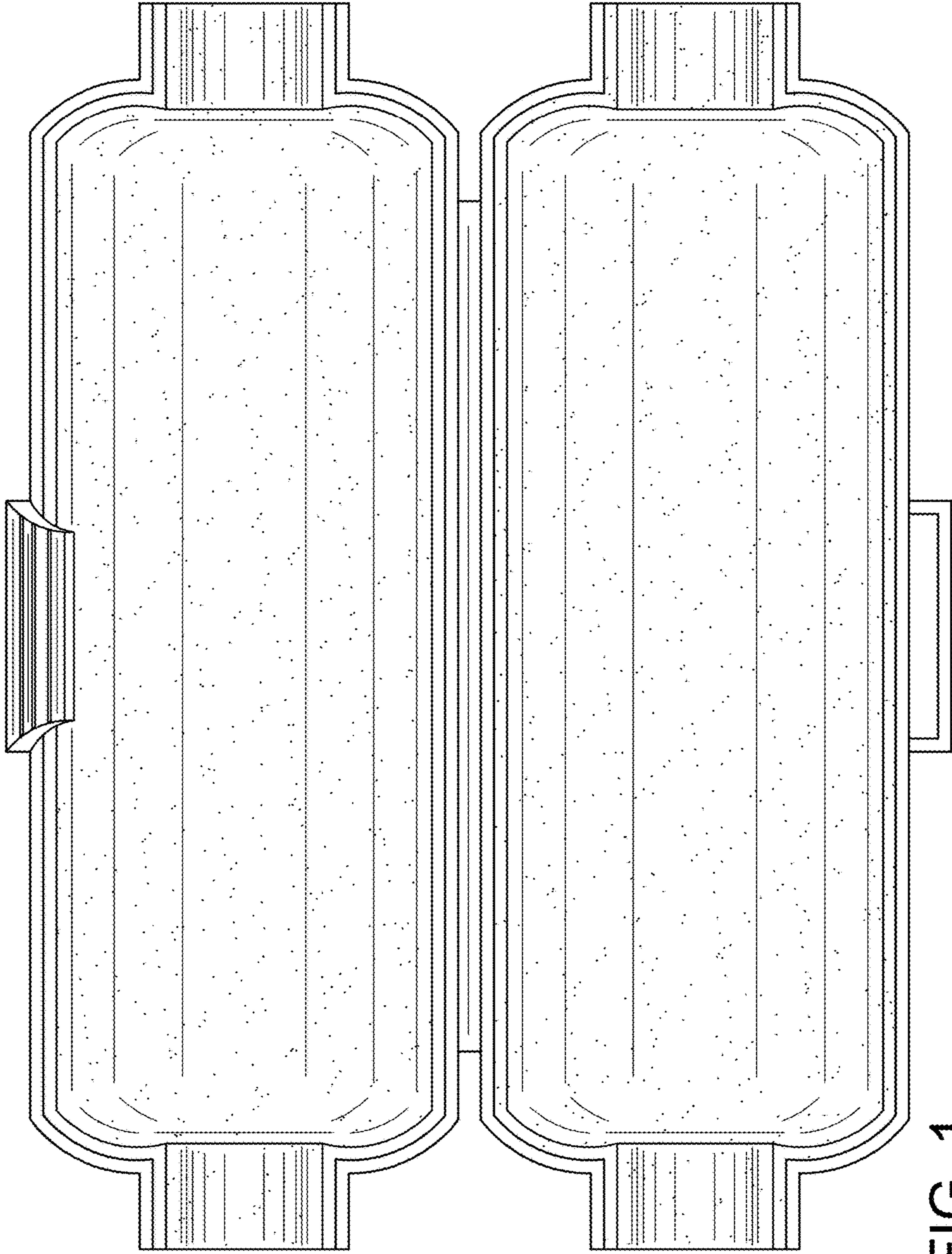


FIG. 1

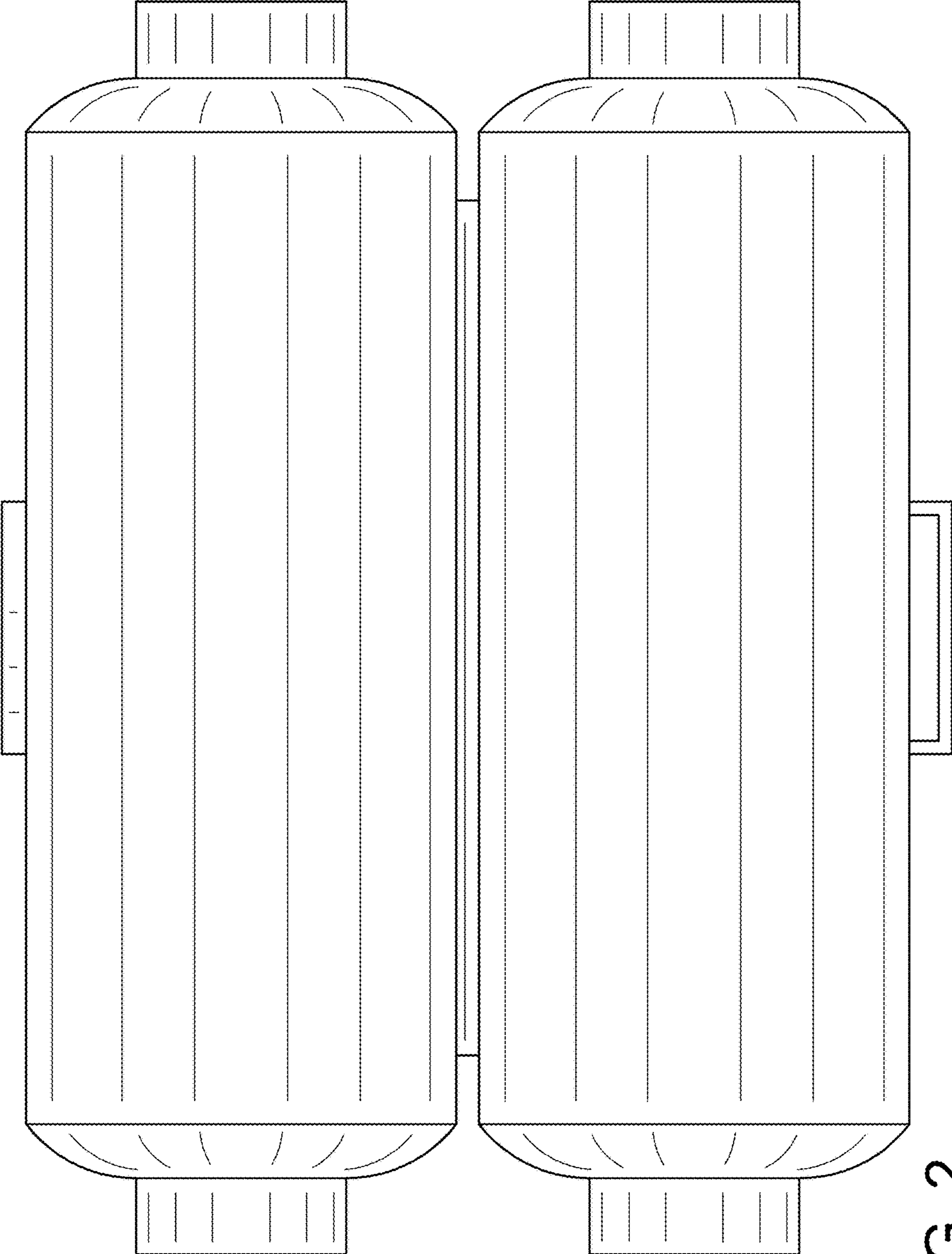


FIG. 2

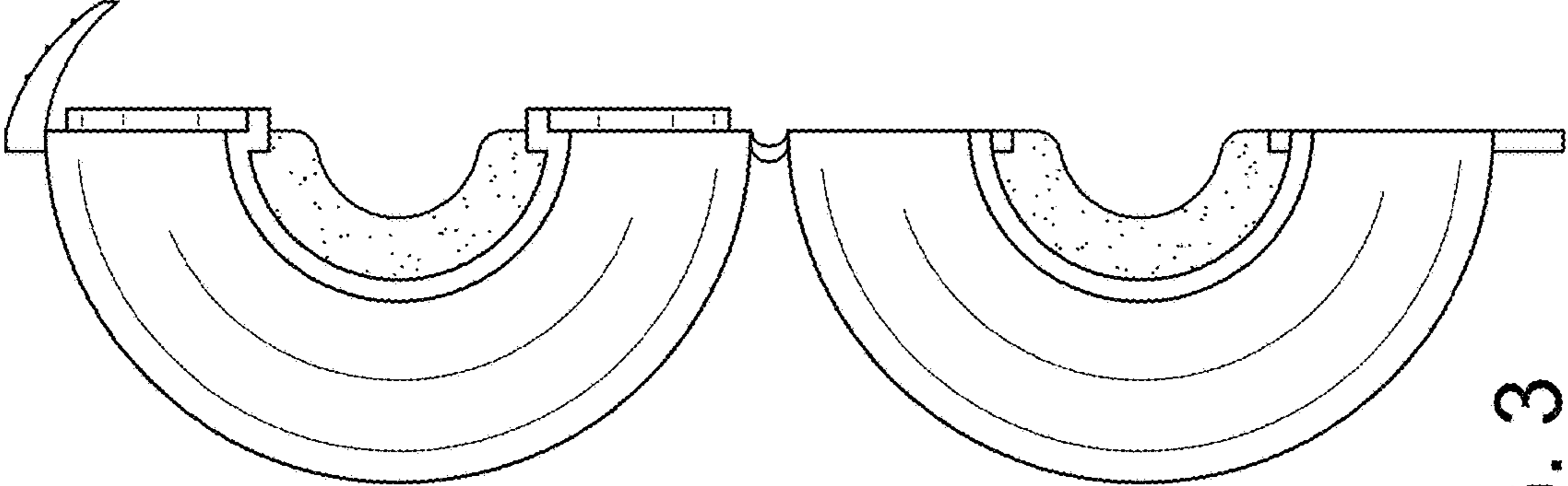


FIG. 3

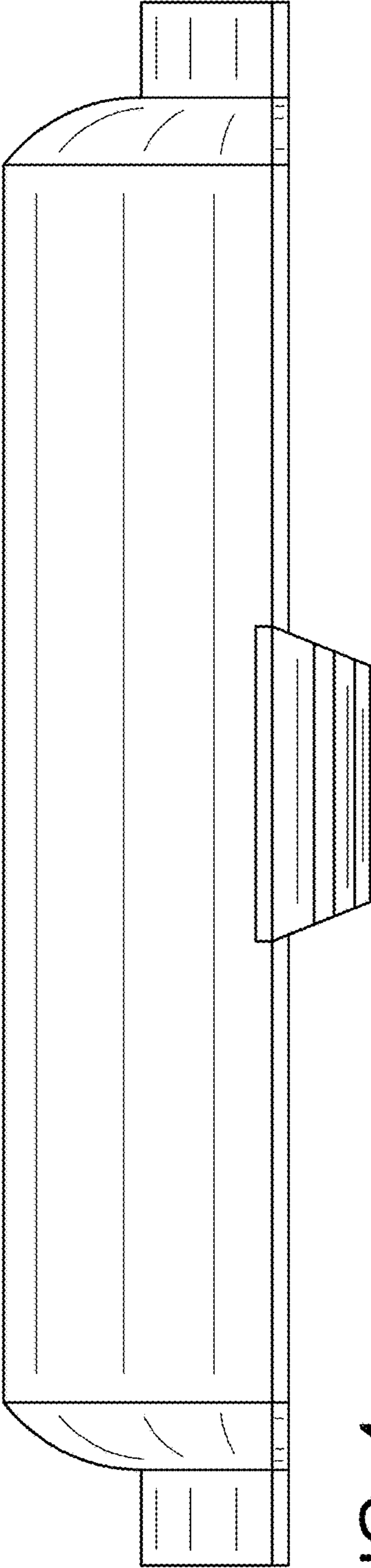


FIG. 4

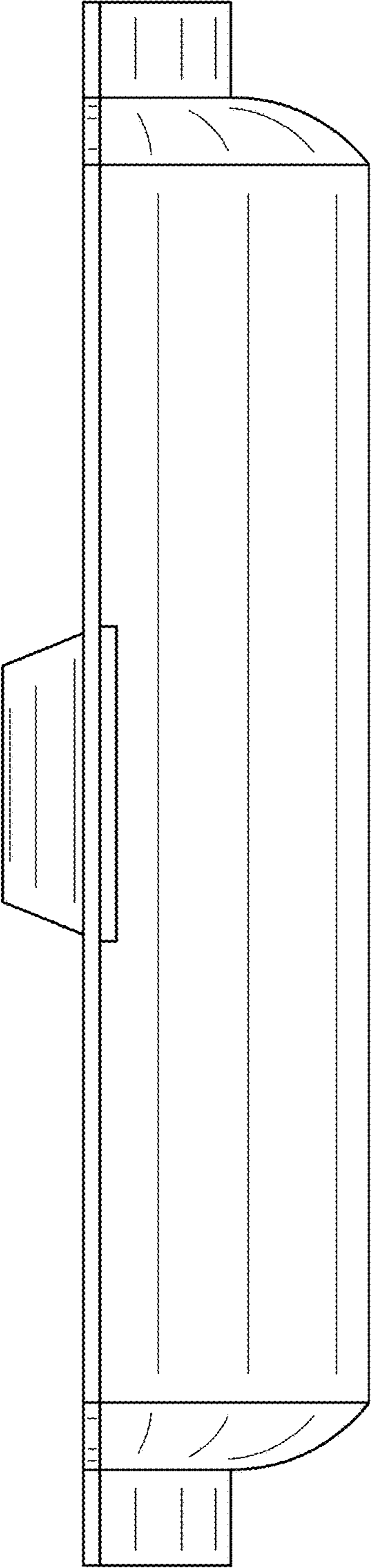


FIG. 5

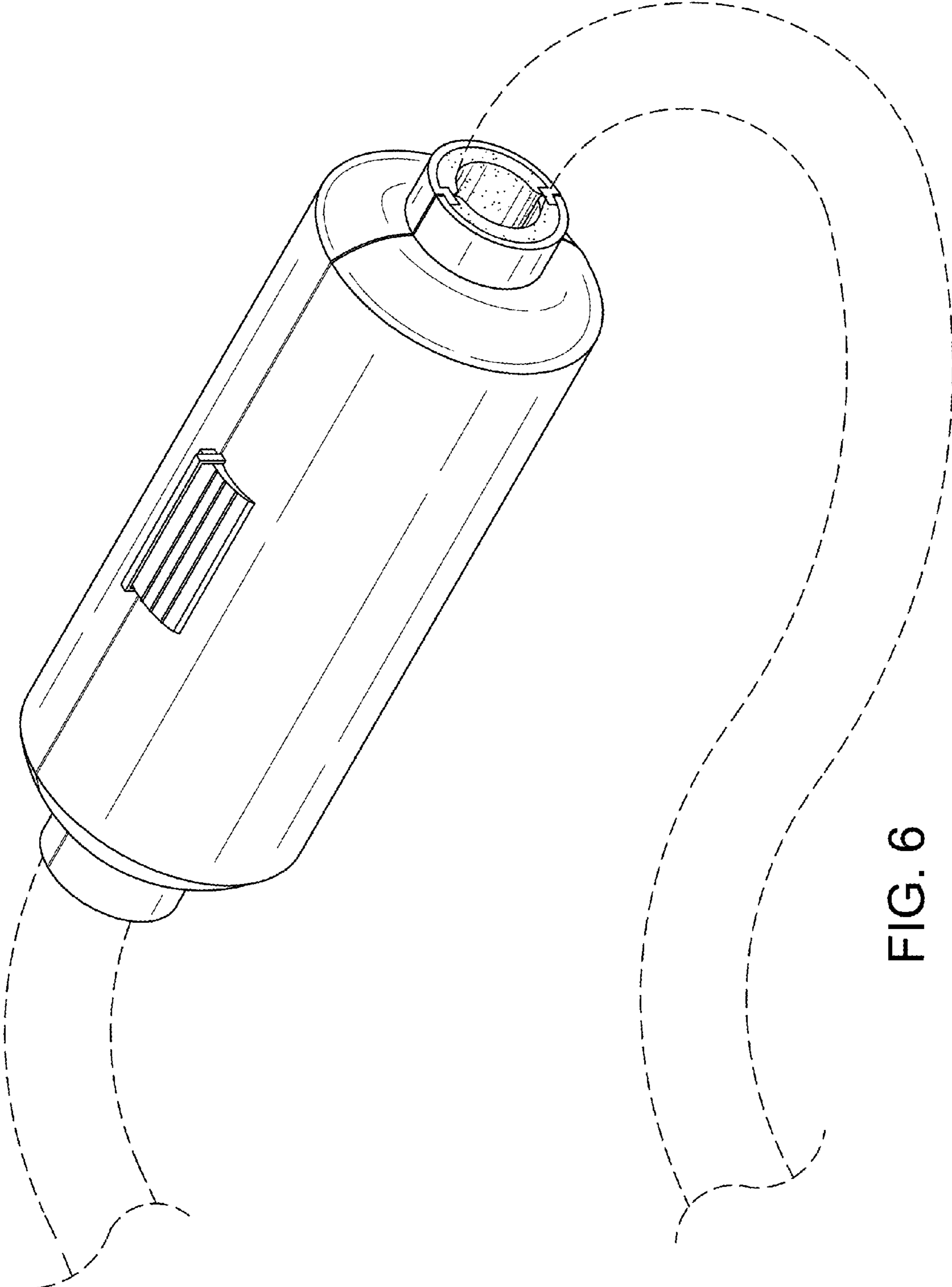


FIG. 6