



US00D776622S

(12) **United States Design Patent**  
**Dejanovic et al.**

(10) **Patent No.:** **US D776,622 S**  
(45) **Date of Patent:** **\*\* Jan. 17, 2017**

(54) **COVER**

(71) Applicant: **Layer Zero Power Systems, Inc.**,  
Aurora, OH (US)

(72) Inventors: **Mijo Dejanovic**, Windham, OH (US);  
**Milind Bhanoo**, Chagrin Falls, OH  
(US); **James M Galm**, Chagrin Falls,  
OH (US)

(73) Assignee: **LayerZero Power Systems, Inc.**,  
Aurora, OH (US)

(\*\*) Term: **14 Years**

(21) Appl. No.: **29/517,517**

(22) Filed: **Feb. 13, 2015**

(51) **LOC (10) Cl.** ..... **13-03**

(52) **U.S. Cl.**  
USPC ..... **D13/156**

(58) **Field of Classification Search**  
USPC ..... D13/120, 121, 123, 133, 154, 156, 158,  
D13/160, 173, 178, 184, 199; 174/50,  
174/520, 67, 92, 93; 439/723, 752, 135,  
439/149, 367; 335/202, 201; 200/304,  
200/303, 306; 218/157  
CPC . H01R 13/424; H01R 13/436; H01R 13/4362;  
H01R 13/5213; H01R 13/6392; H01H  
9/0264; H01H 9/342; H01H 7/108  
See application file for complete search history.

(56) **References Cited**

**U.S. PATENT DOCUMENTS**

D204,386 S *	4/1966	Davis	.....	D13/160
3,831,120 A *	8/1974	Powell	.....	H01H 71/74
				200/286
D246,851 S *	1/1978	Tarchalski	.....	D13/160
D254,667 S *	4/1980	Sare	.....	D13/160
D318,268 S *	7/1991	Oikawa	.....	D13/156
5,241,289 A *	8/1993	Markowski	.....	H01H 9/342
				335/201

D354,272 S *	1/1995	Reed	.....	D13/156
5,811,749 A *	9/1998	Bausch	.....	H01H 9/342
				200/306
D411,984 S *	7/1999	Wu	.....	D13/156
6,087,609 A *	7/2000	Thilker	.....	H01H 1/2041
				200/303
6,191,377 B1 *	2/2001	Roesner	.....	H01H 9/345
				218/149
6,762,389 B1 *	7/2004	Crooks	.....	H01H 9/342
				218/157

(Continued)

*Primary Examiner* — Derrick Holland  
*Assistant Examiner* — Jennifer O King

(74) *Attorney, Agent, or Firm* — Calfee, Halter &  
Griswold LLP

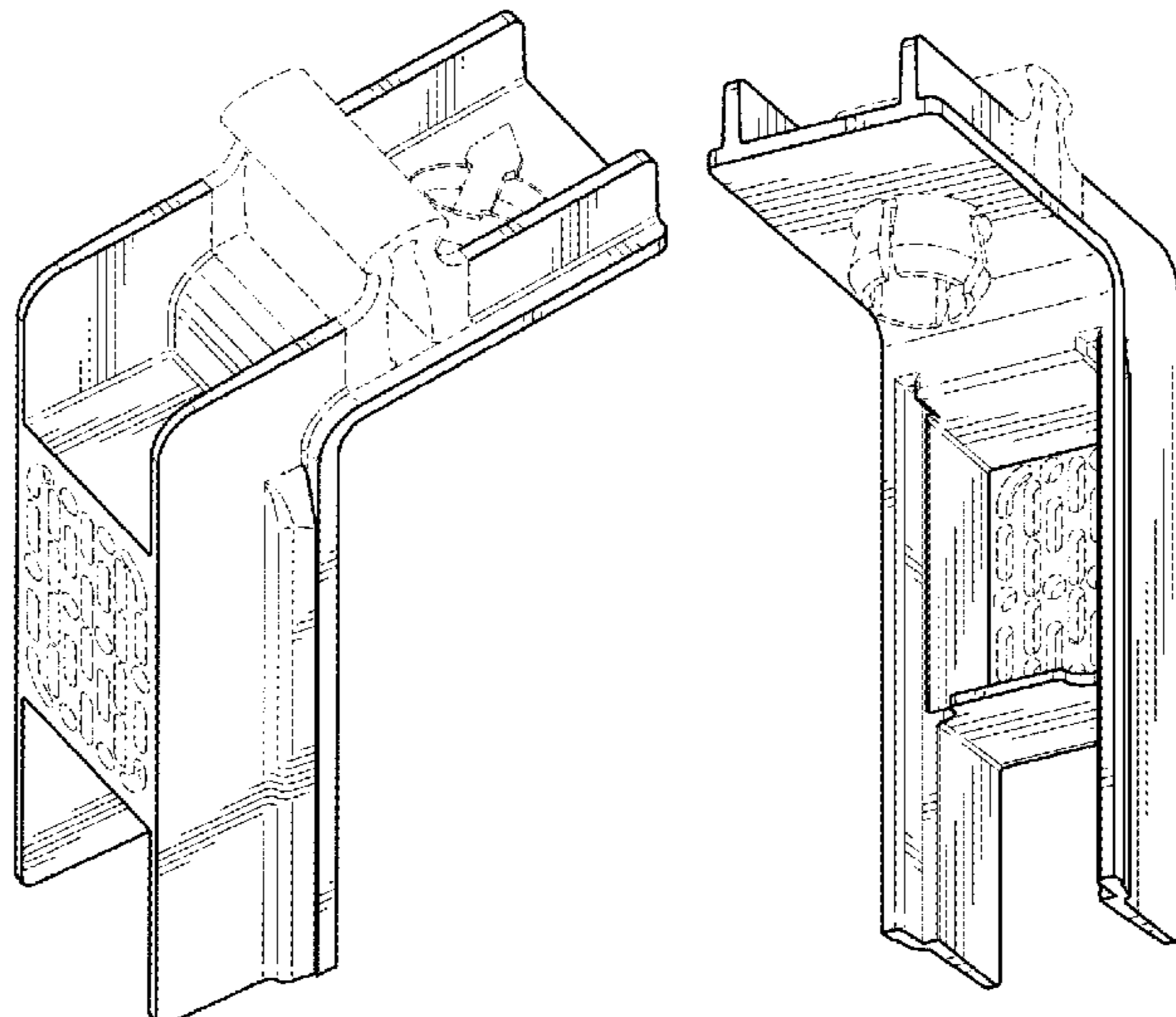
(57) **CLAIM**

We claim the ornamental design for a cover, as shown and described.

**DESCRIPTION**

FIG. 1 is a front/left/top perspective view of a cover (front/right/top perspective view would be a mirror image thereof); FIG. 2 is a rear/right/bottom perspective view thereof (bottom/left/top perspective view would be a mirror image thereof); FIG. 3 is a front elevational view thereof; FIG. 4 is a rear elevational view thereof; FIG. 5 is a right side elevational view thereof (a left side elevational view would be a mirror image thereof); and FIG. 6 is a top plan view thereof; and, FIG. 7 is a bottom plan view thereof. The broken lines shown represent unclaimed subject matter only and form no part of the claimed design. Where the broken lines abut the shaded surface it is understood that those broken lines represent an unclaimed boundary between claimed and unclaimed surfaces. None of the broken lines form any part of the claimed design.

**1 Claim, 3 Drawing Sheets**



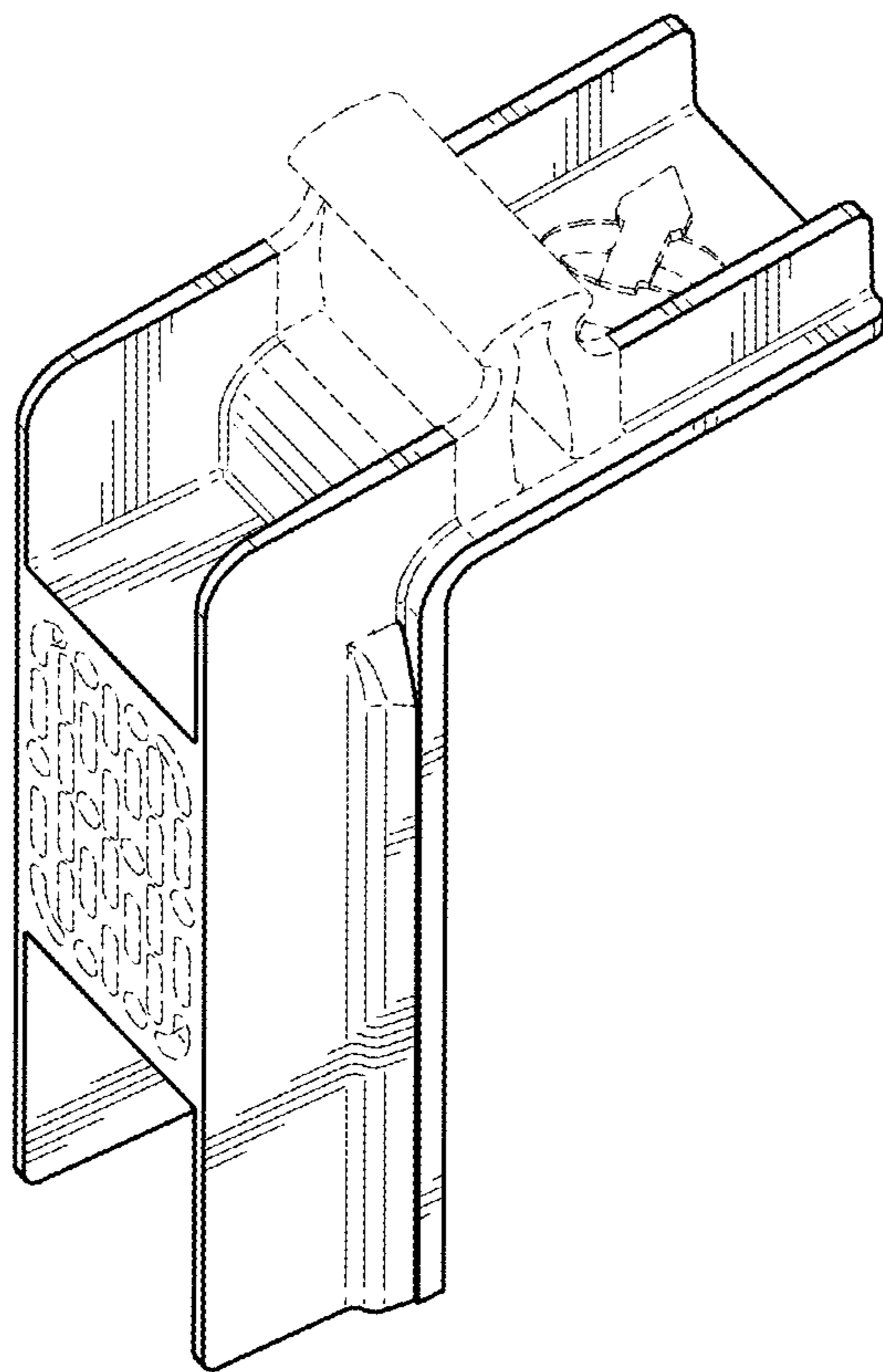
(56)

**References Cited**

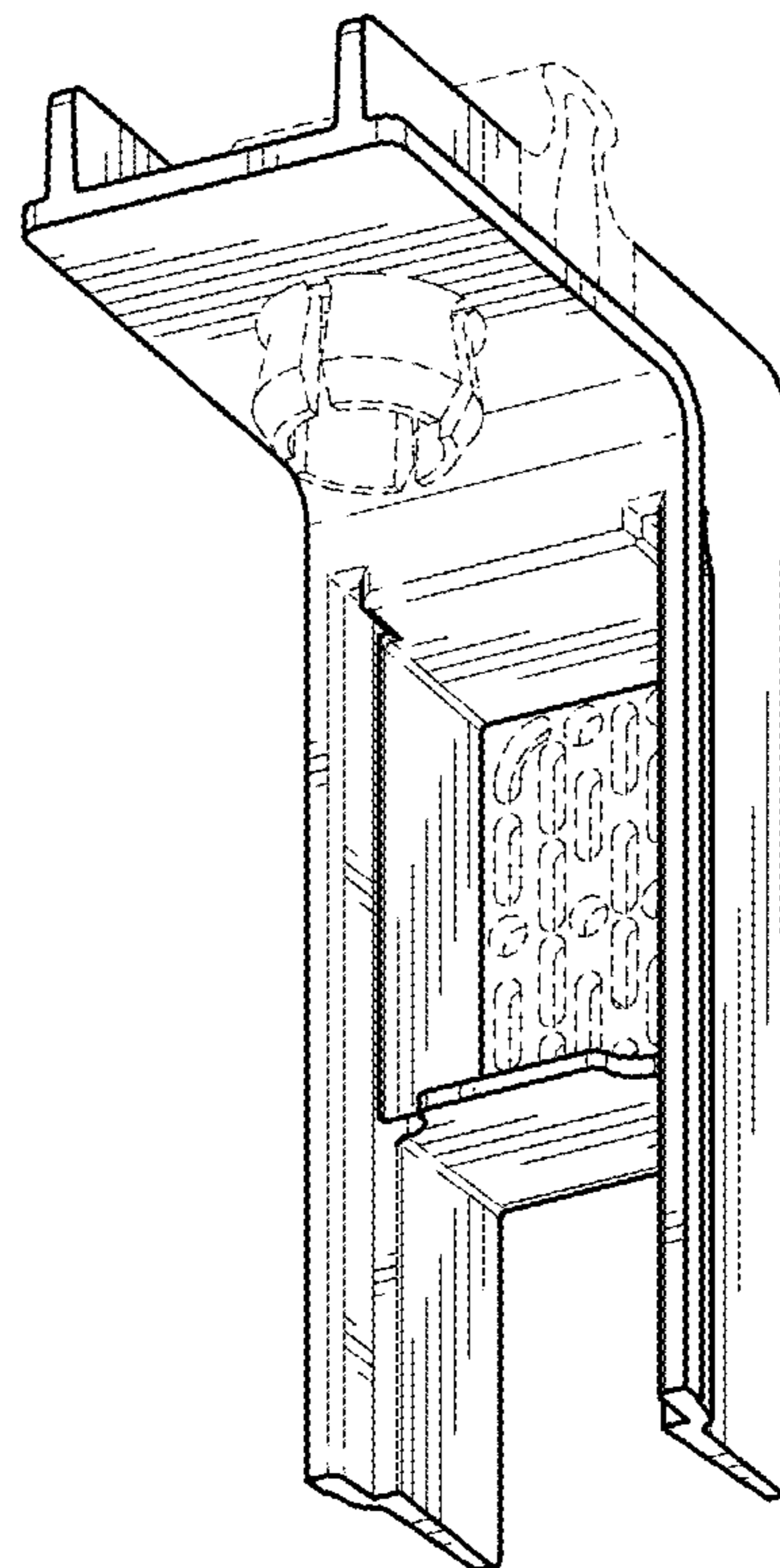
U.S. PATENT DOCUMENTS

8,698,023 B2 \* 4/2014 Grunwald ..... H01H 71/08  
200/303  
2003/0048586 A1 \* 3/2003 Faber ..... H01H 9/342  
361/1  
2003/0076204 A1 \* 4/2003 Whipple ..... H01H 11/0031  
335/202  
2005/0280973 A1 \* 12/2005 Kawata ..... H01H 9/0264  
361/115  
2011/0176287 A1 \* 7/2011 Coomer ..... H01H 71/56  
361/819

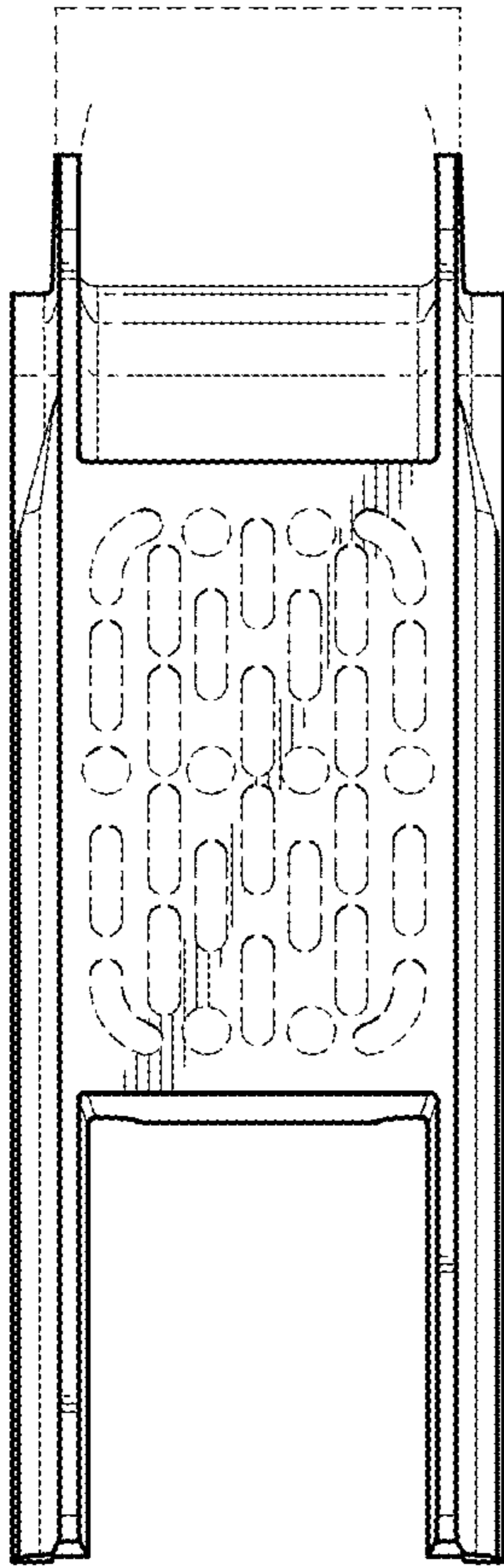
\* cited by examiner



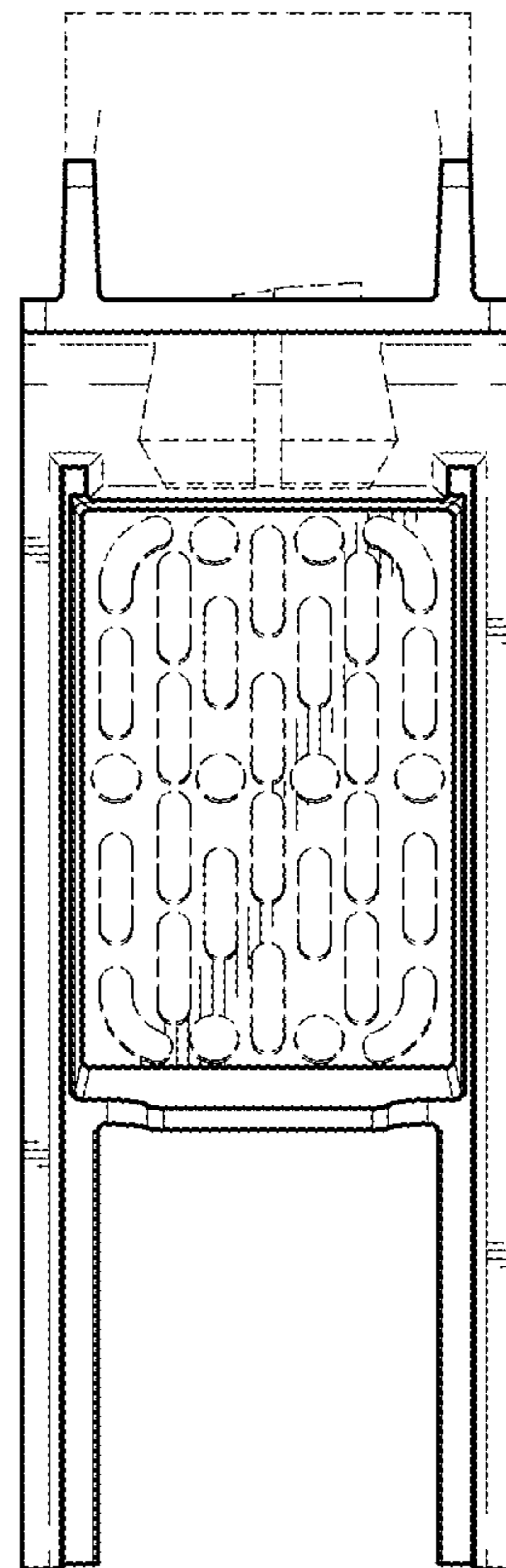
**FIG. 1**



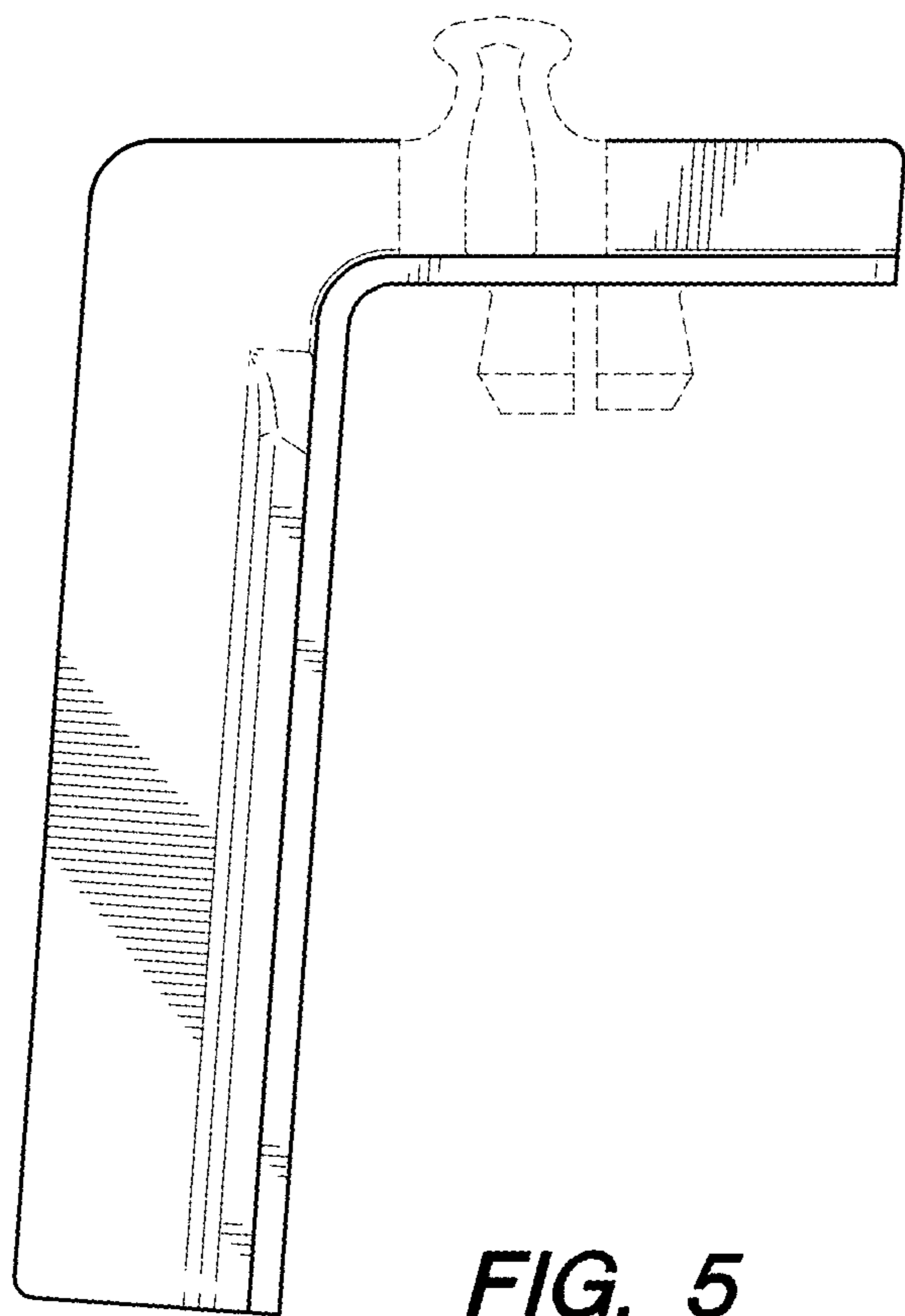
**FIG. 2**



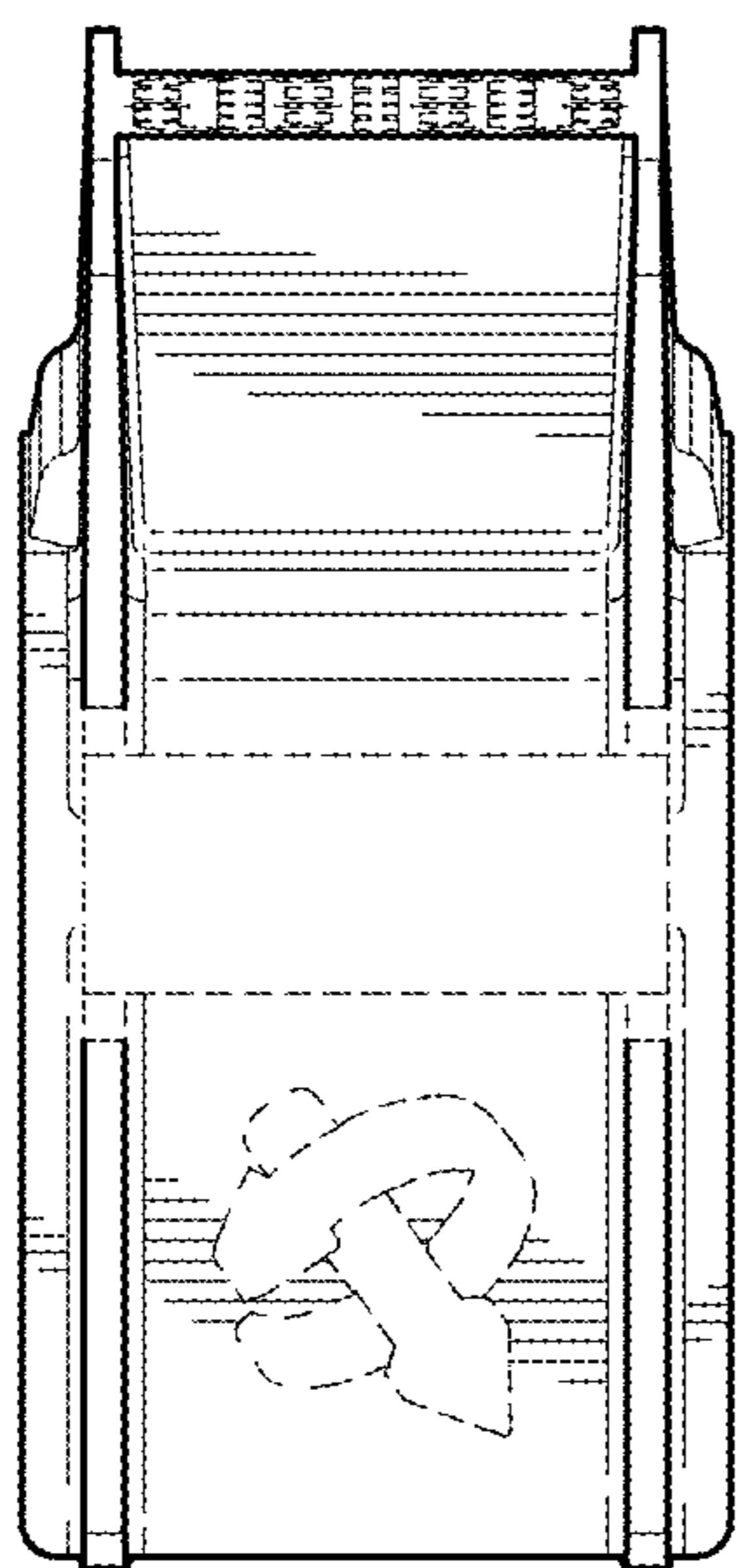
**FIG. 3**



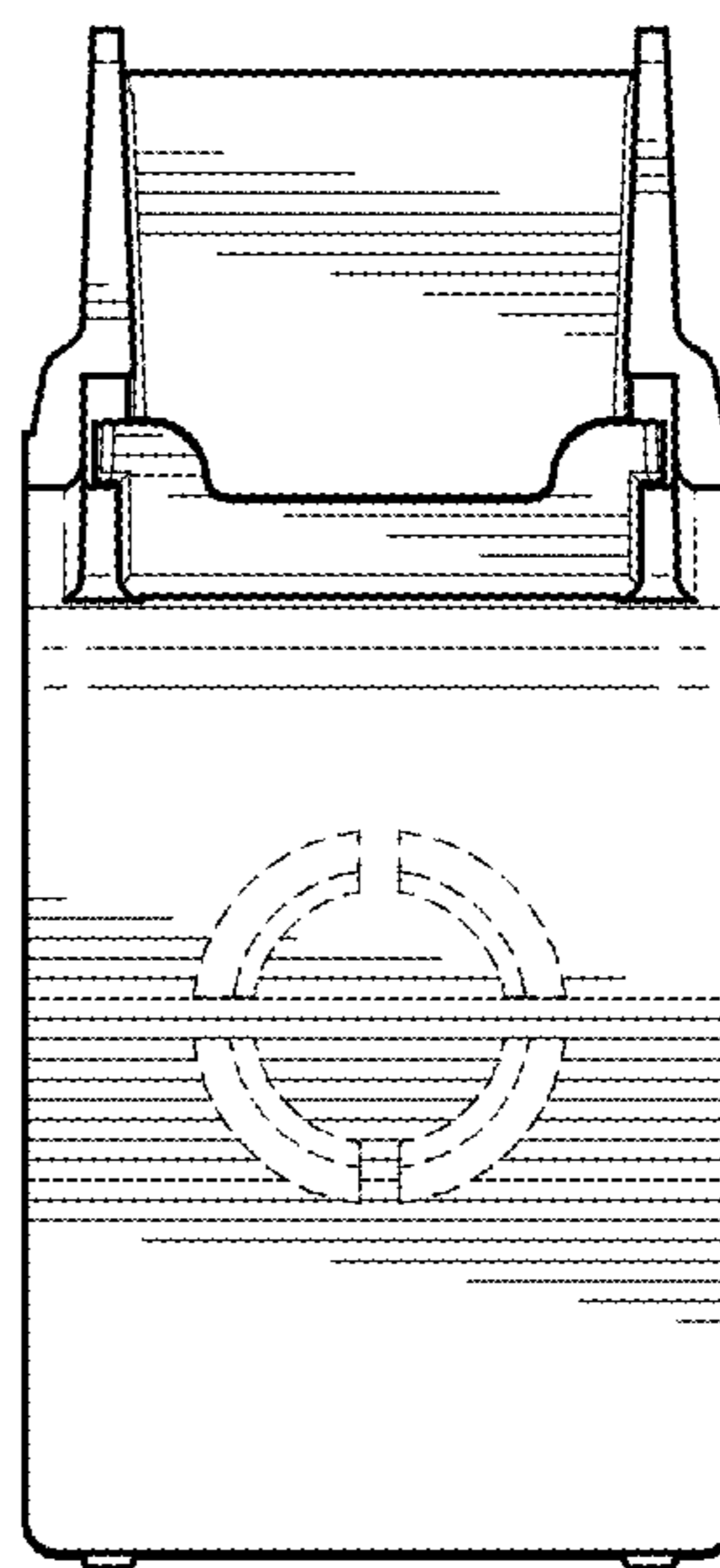
**FIG. 4**



**FIG. 5**



**FIG. 6**



**FIG. 7**