



US00D776621S

(12) **United States Design Patent**
Miyamoto

(10) **Patent No.:** **US D776,621 S**

(45) **Date of Patent:** **** Jan. 17, 2017**

(54) **ELECTRICAL CONTACT**

(71) Applicant: **EBARA CORPORATION**, Tokyo (JP)

(72) Inventor: **Matsutaro Miyamoto**, Tokyo (JP)

(73) Assignee: **EBARA CORPORATION**, Tokyo (JP)

(**) Term: **15 Years**

(21) Appl. No.: **29/533,477**

(22) Filed: **Jul. 17, 2015**

(30) **Foreign Application Priority Data**

Jan. 22, 2015 (JP) 2015-001098

(51) **LOC (10) Cl.** **13-03**

(52) **U.S. Cl.**
USPC **D13/154**

(58) **Field of Classification Search**
USPC D13/110, 133, 146, 147, 154, 184, 199
CPC H01R 12/55; H01R 12/58; H01R 12/592;
H01R 12/65; H01R 12/675; H01R 12/77;
H01R 12/777
See application file for complete search history.

(56) **References Cited**

U.S. PATENT DOCUMENTS

D325,564 S * 4/1992 Lemke D13/154
D340,226 S * 10/1993 Sachs D13/154

D555,595 S 11/2007 Yahagi et al.
D606,499 S * 12/2009 Mo D13/154
D725,599 S * 3/2015 Sakae D13/154
2013/0005163 A1* 1/2013 Holste H05K 3/3405
439/83

* cited by examiner

Primary Examiner — Daniel Bui

(74) *Attorney, Agent, or Firm* — Pearne & Gordon LLP

(57) **CLAIM**

The ornamental design for an electrical contact, as shown and described.

DESCRIPTION

FIG. 1 is a front, top and right side perspective view of an electrical contact showing our new design;
FIG. 2 is a front, bottom and right side perspective view thereof;
FIG. 3 is a front elevation view thereof;
FIG. 4 is a rear elevation view thereof;
FIG. 5 is a right side elevation view thereof;
FIG. 6 is a top plan view thereof; and,
FIG. 7 is a bottom plan view thereof.

1 Claim, 3 Drawing Sheets

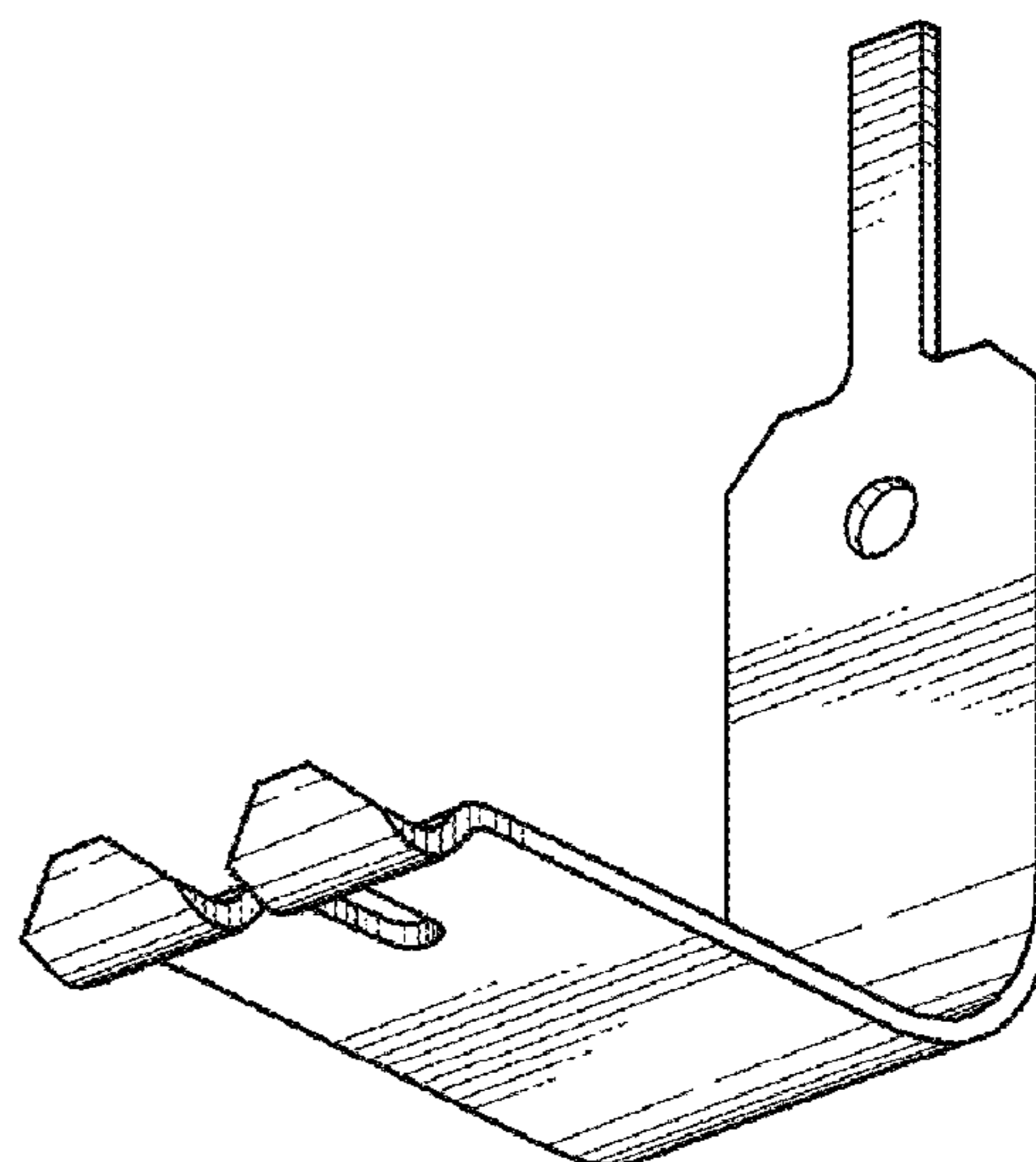
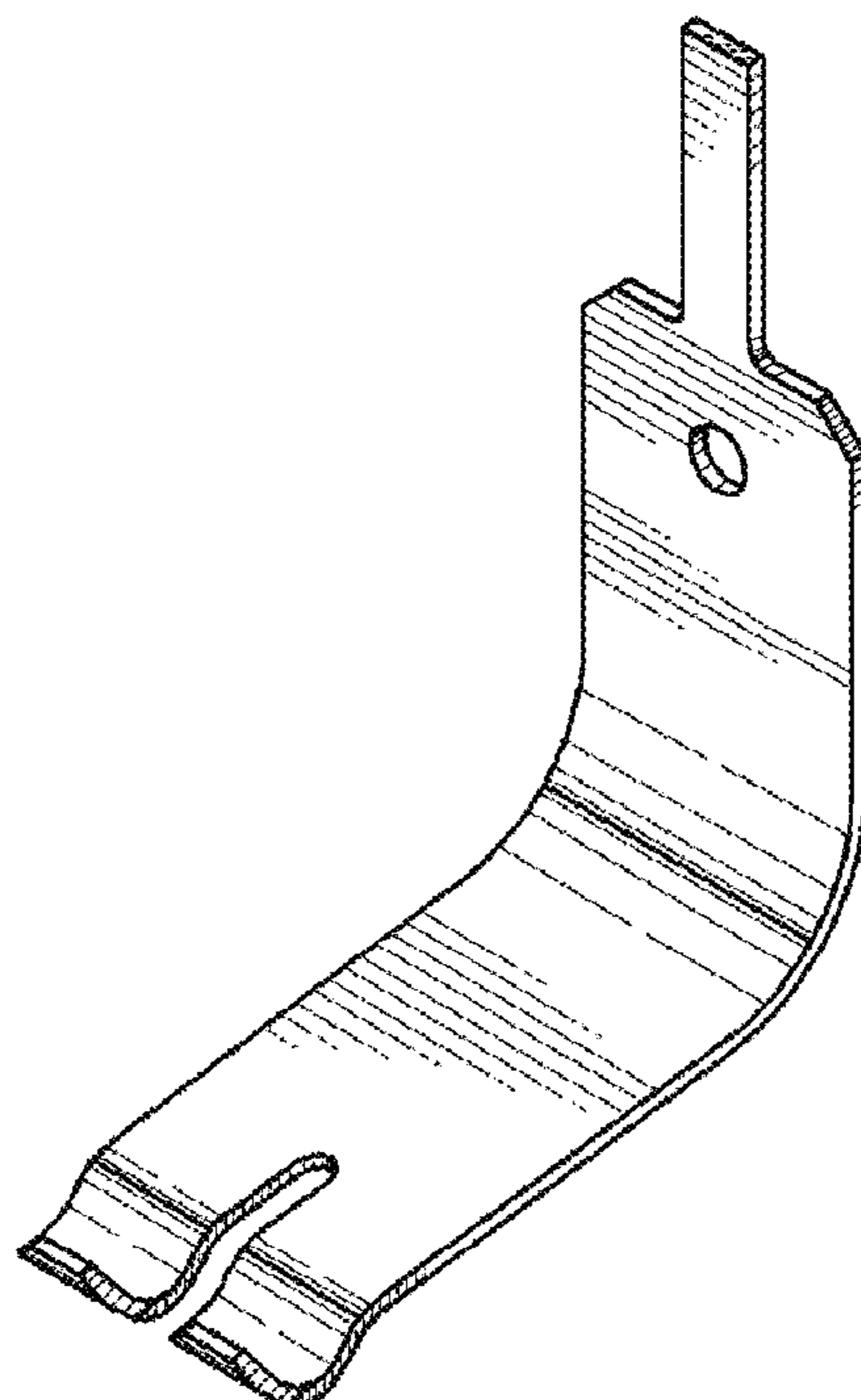


FIG. 1

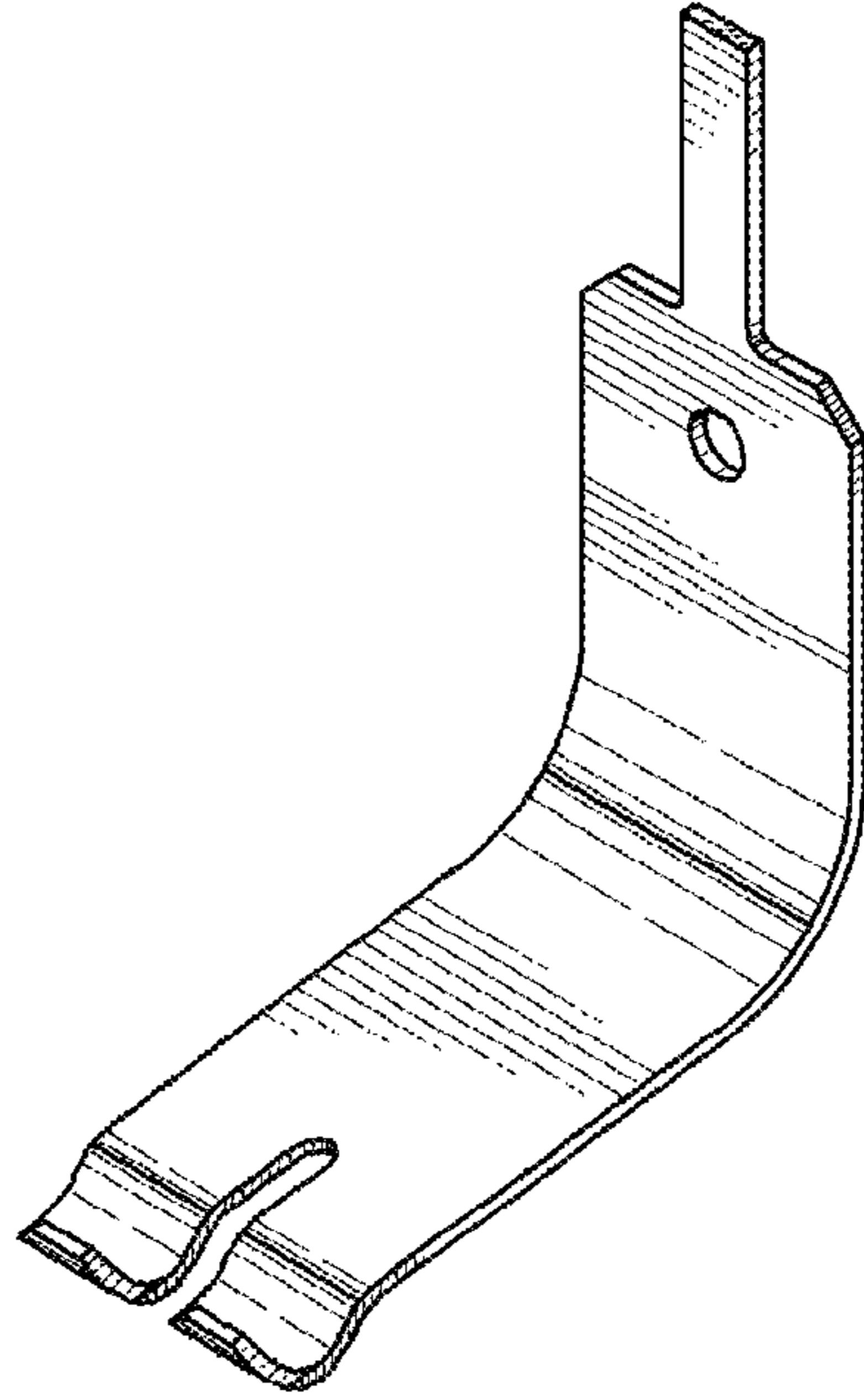


FIG. 2

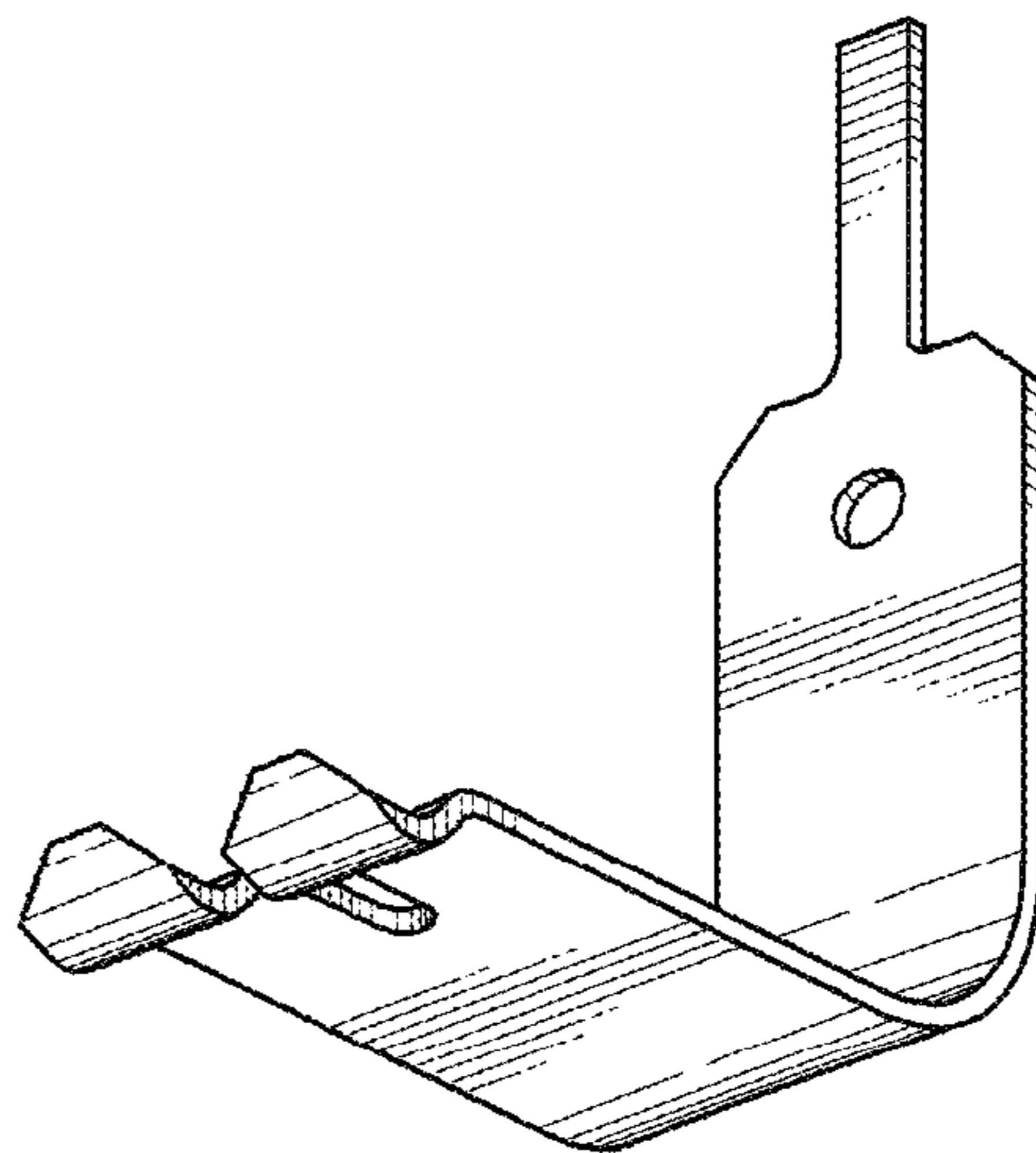


FIG. 3

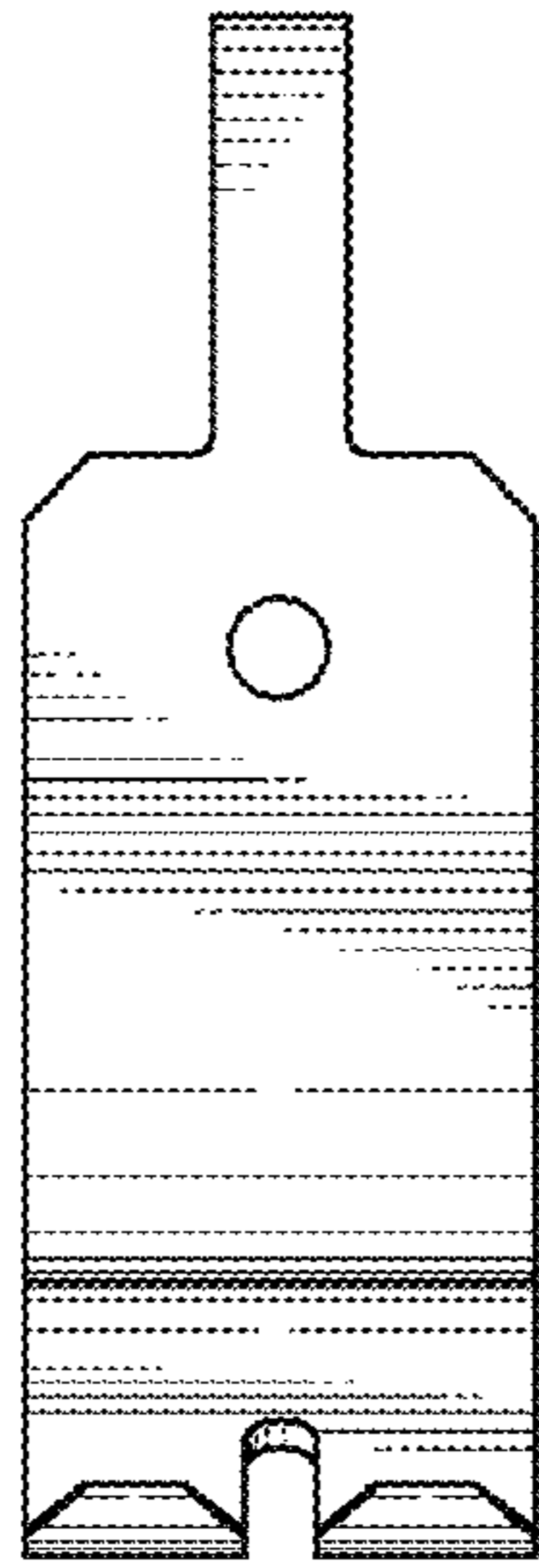


FIG. 4

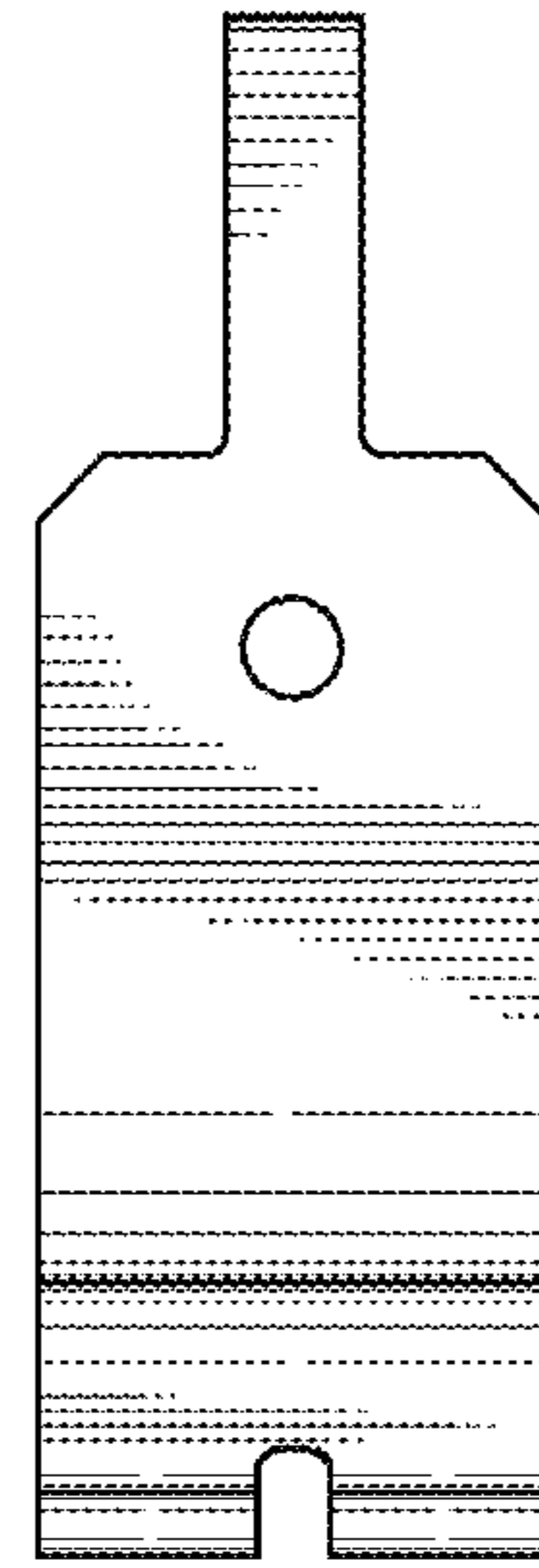


FIG. 5

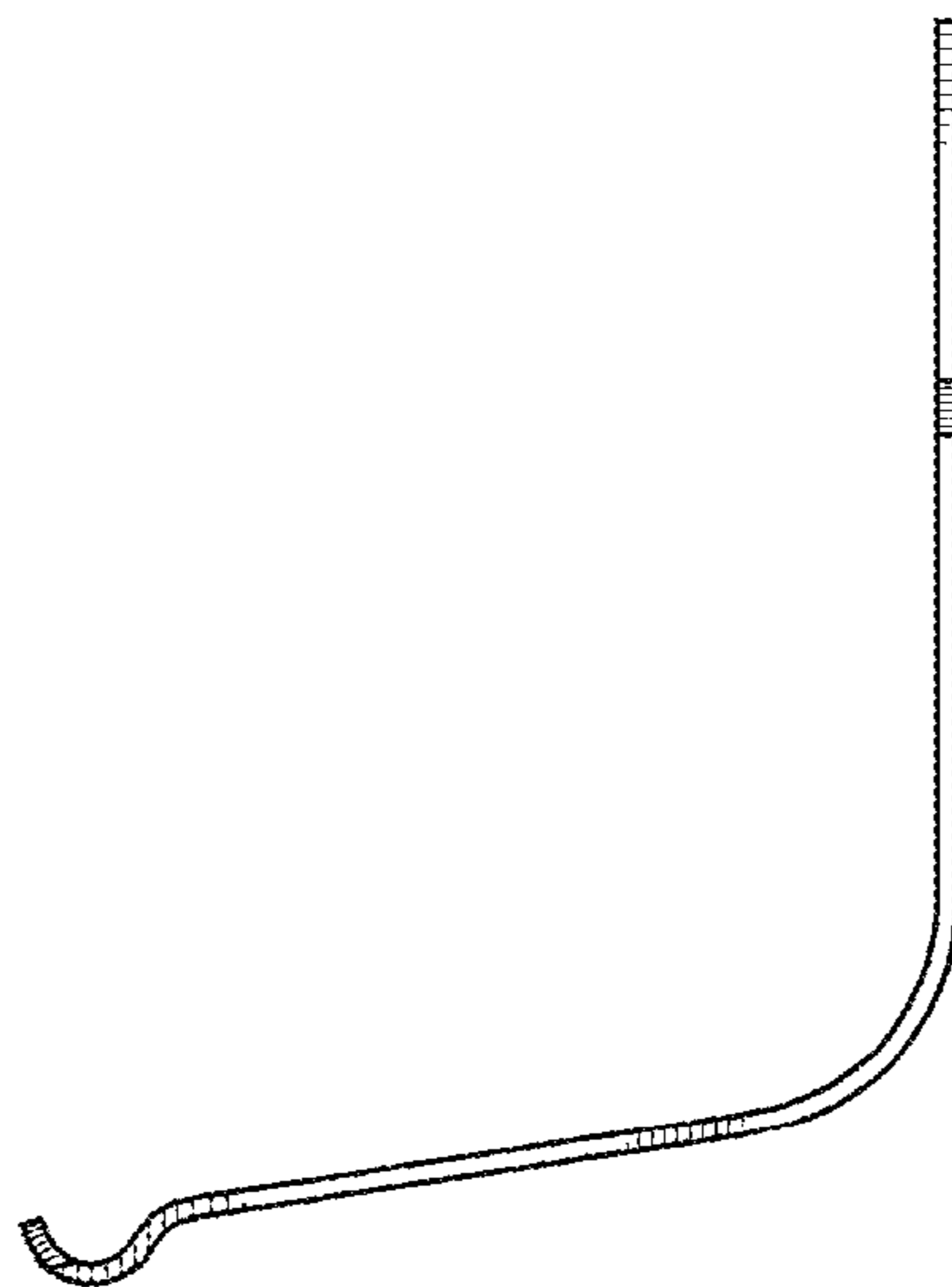


FIG. 6

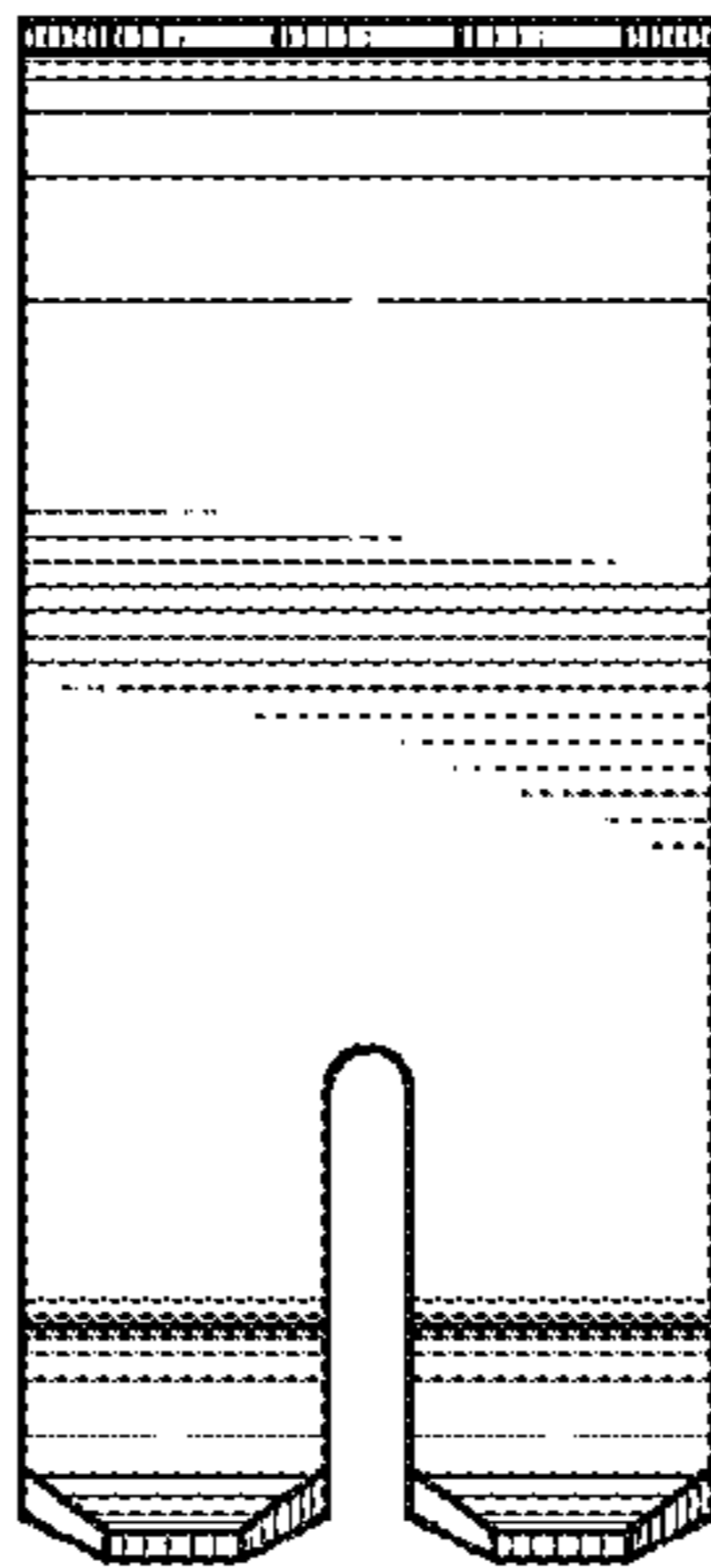


FIG. 7

