



US00D776619S

(12) **United States Design Patent** (10) **Patent No.:** **US D776,619 S**
Gretz (45) **Date of Patent:** **** *Jan. 17, 2017**

- (54) **ELECTRICAL BOX EXTENDER WITH BREAKAWAY FLANGE**
 - D245,905 S * 9/1977 Taylor D13/152
 - D245,906 S * 9/1977 Taylor D13/152
 - 5,959,246 A * 9/1999 Gretz H02G 3/121
- (71) Applicant: **Thomas J. Gretz**, Port St. Lucie, FL (US)
 - 6,307,154 B1 * 10/2001 Gretz H02G 3/121
 - 174/50
- (72) Inventor: **Thomas J. Gretz**, Port St. Lucie, FL (US)
 - D466,085 S * 11/2002 Heggem D13/152
 - D478,553 S * 8/2003 Heggem D13/152
 - D531,128 S * 10/2006 Elberson D13/152
 - D601,096 S * 9/2009 Vigorito D13/152
 - D640,982 S * 7/2011 Dixon D13/152
 - D693,763 S * 11/2013 Ray D13/108
 - 9,048,646 B2 * 6/2015 Maccarone H02G 3/086
 - D744,431 S * 12/2015 Hagarty D13/152
 - D745,465 S * 12/2015 Hagarty D13/152
 - D745,850 S * 12/2015 Gretz D13/152
- (*) Notice: This patent is subject to a terminal disclaimer.

(**) Term: **14 Years**

* cited by examiner

(21) Appl. No.: **29/511,000**

Primary Examiner — Lakiya Rogers

(22) Filed: **Dec. 5, 2014**

Assistant Examiner — Harold Blackwell, II

(51) **LOC (10) Cl.** **13-03**

(57) **CLAIM**

(52) **U.S. Cl.**

The ornamental design for an electrical box extender with breakaway flange, as shown and described.

USPC **D13/152**; D13/184

(58) **Field of Classification Search**

DESCRIPTION

USPC D13/152, 156, 154, 162, 184, 199,
 D13/118, 155; 174/480, 659, 50, 53, 67,
 174/66; D8/354, 349, 350; 709/250
 CPC H02G 3/0608; H02G 3/065; H02G 3/088;
 H02G 3/14; H01J 2893/0035; H04L 29/06
 See application file for complete search history.

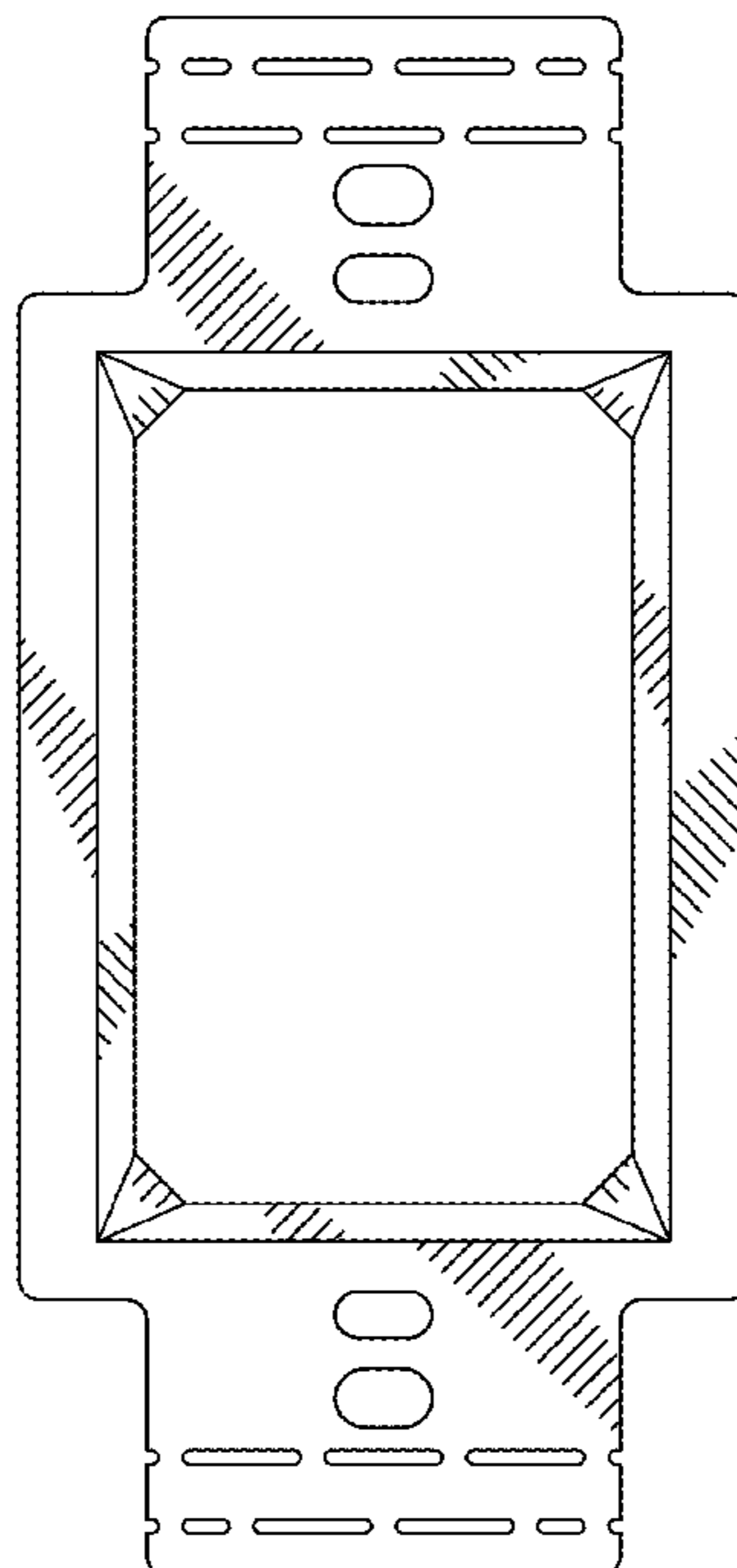
FIG. 1 is a front view of an electrical box extender with breakaway flange showing my new design;
 FIG. 2 is a rear view thereof;
 FIG. 3 is a left side elevation view thereof, with the right side elevation view being a mirror image thereof;
 FIG. 4 is a bottom end elevation view thereof, with the top end elevation view being a mirror image thereof;
 FIG. 5 is a front perspective view thereof; and,
 FIG. 6 is a rear perspective view thereof.

(56) **References Cited**

U.S. PATENT DOCUMENTS

1 Claim, 5 Drawing Sheets

- 2,378,861 A * 6/1945 Peevey H02G 3/121
220/3.4
- 4,039,900 A * 8/1977 Roback H05K 7/209
323/280



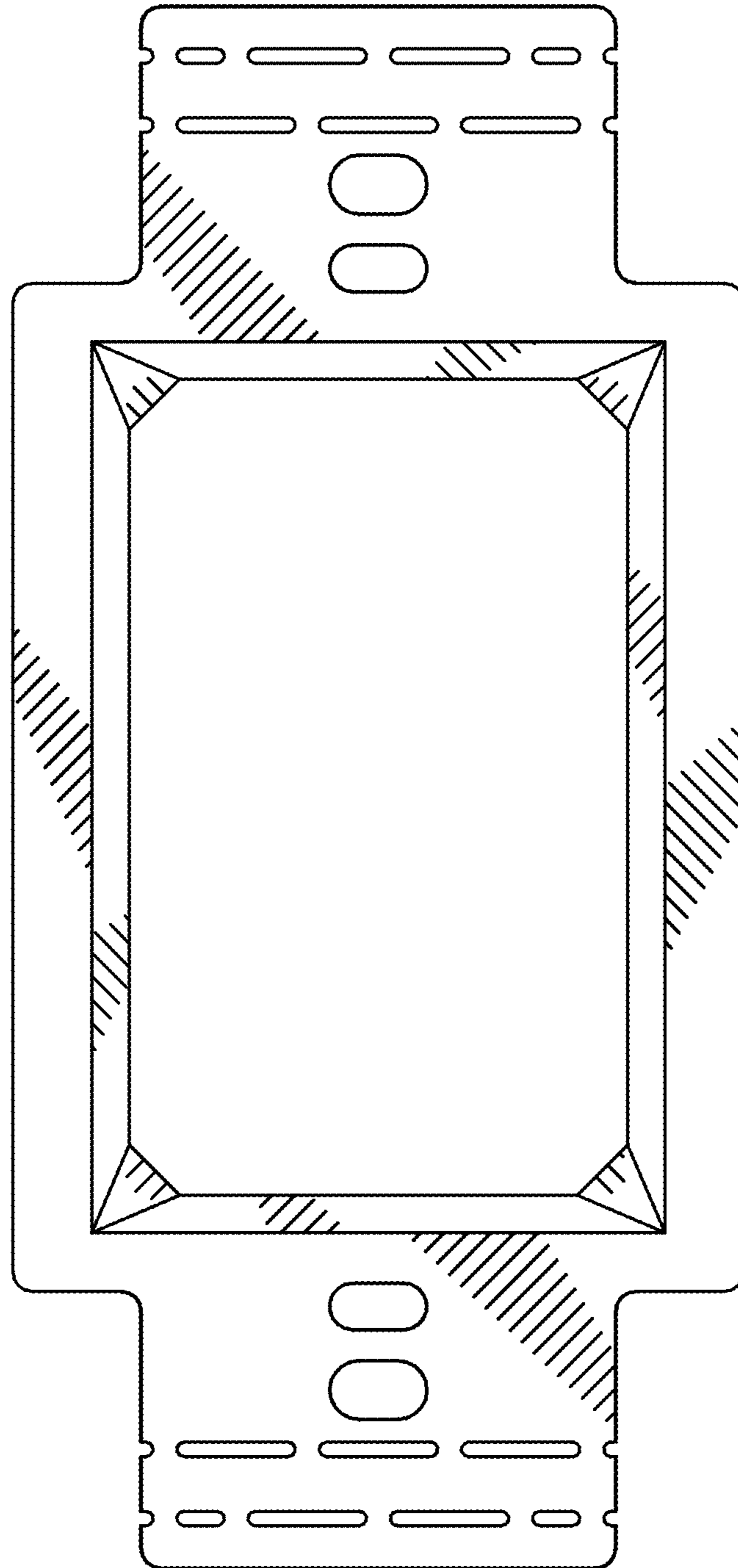


Fig. 1

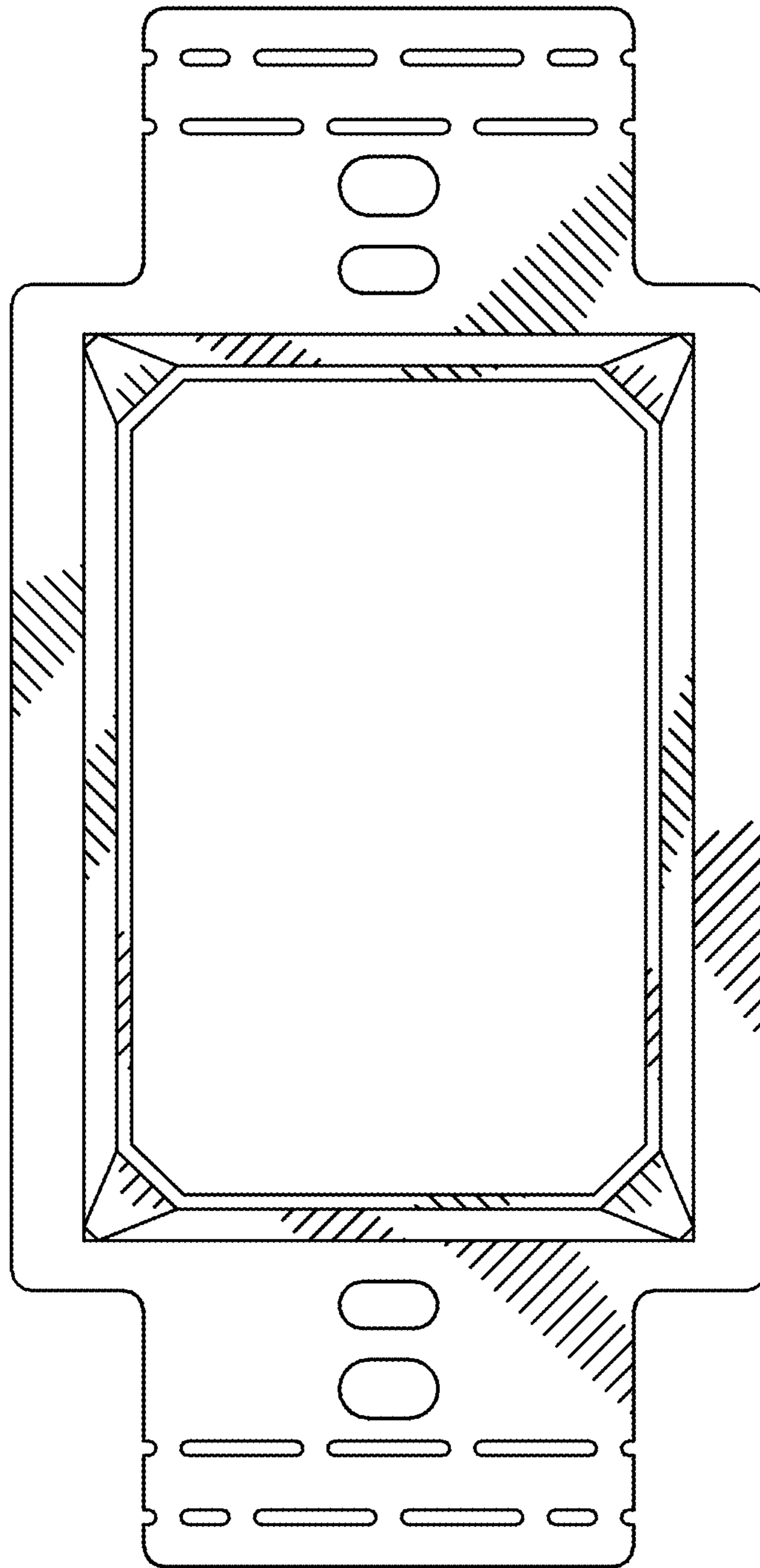


Fig. 2

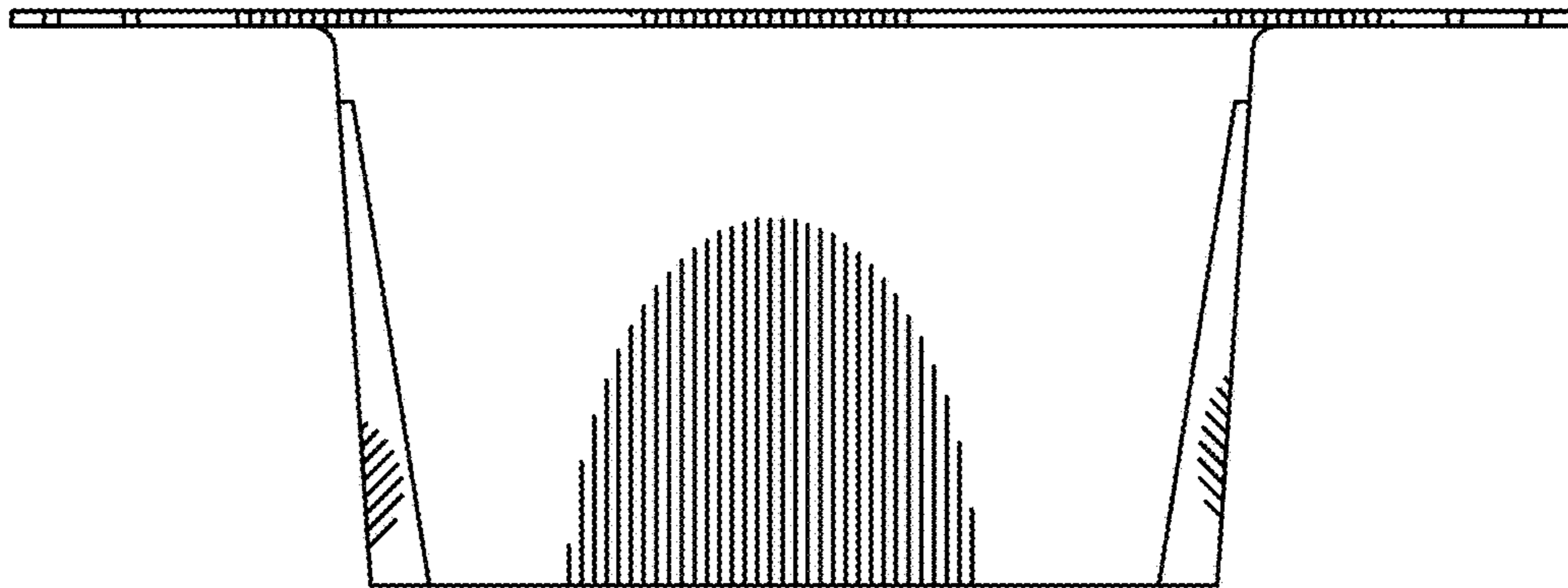


Fig. 3

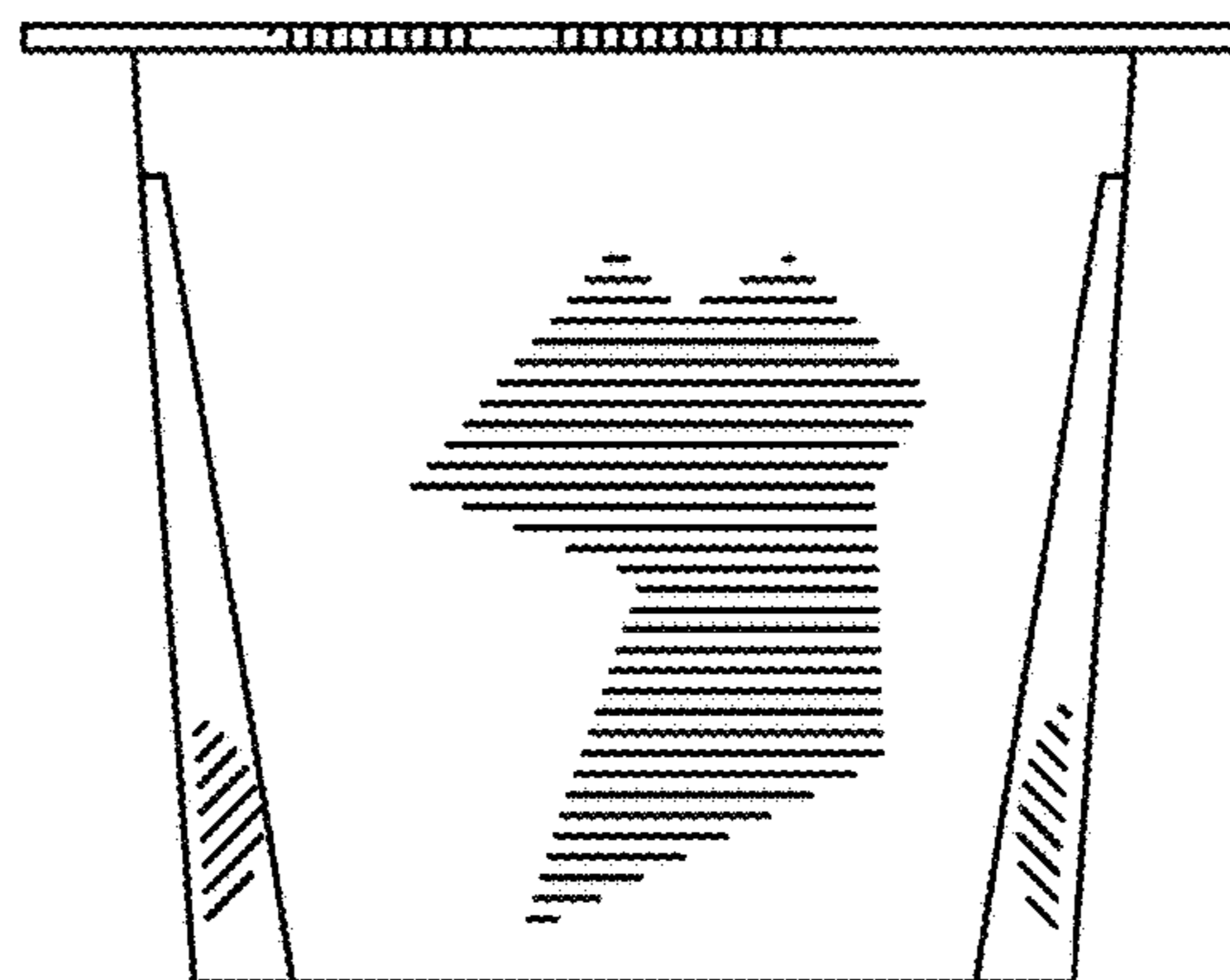


Fig. 4

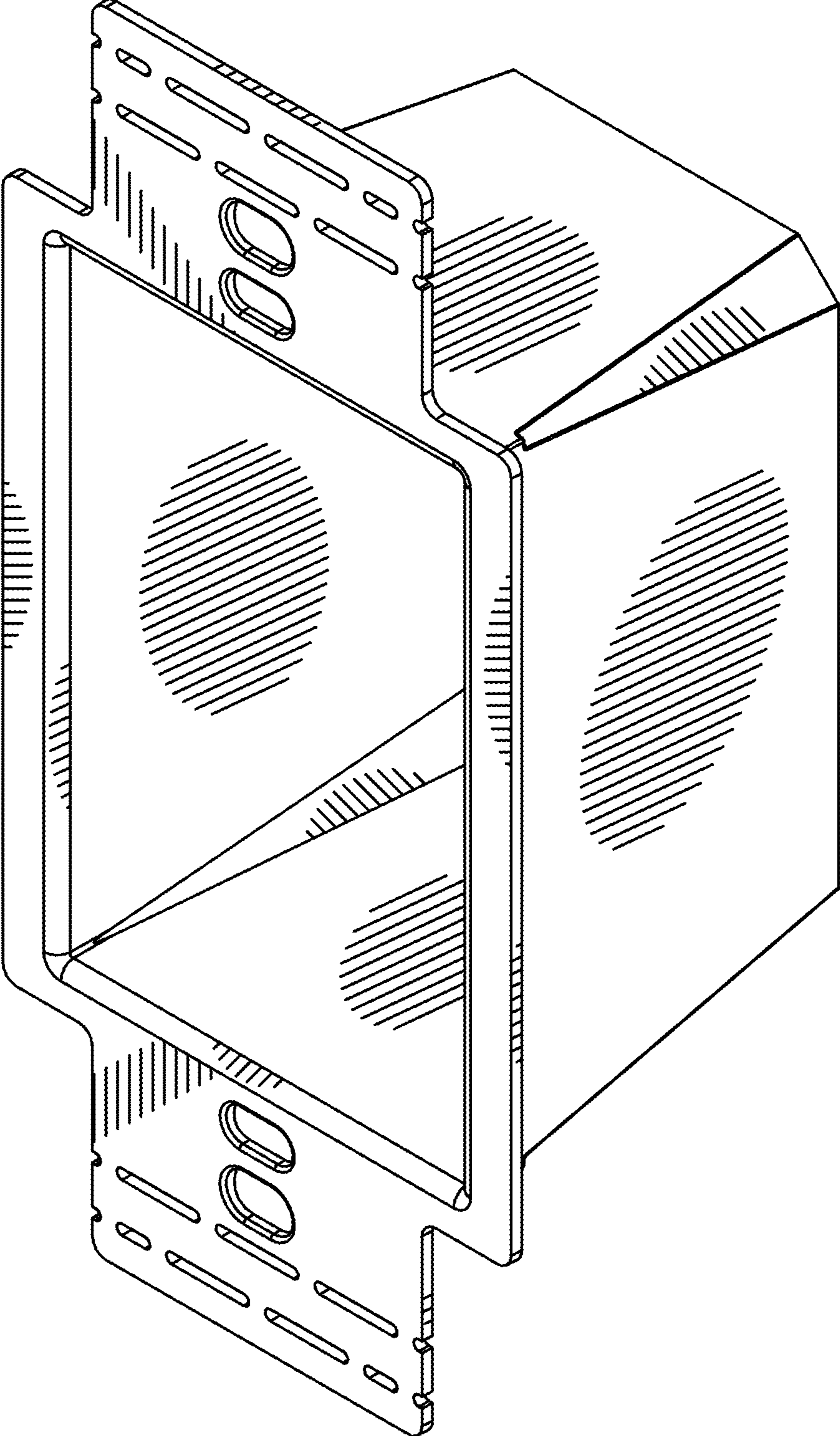


Fig. 5

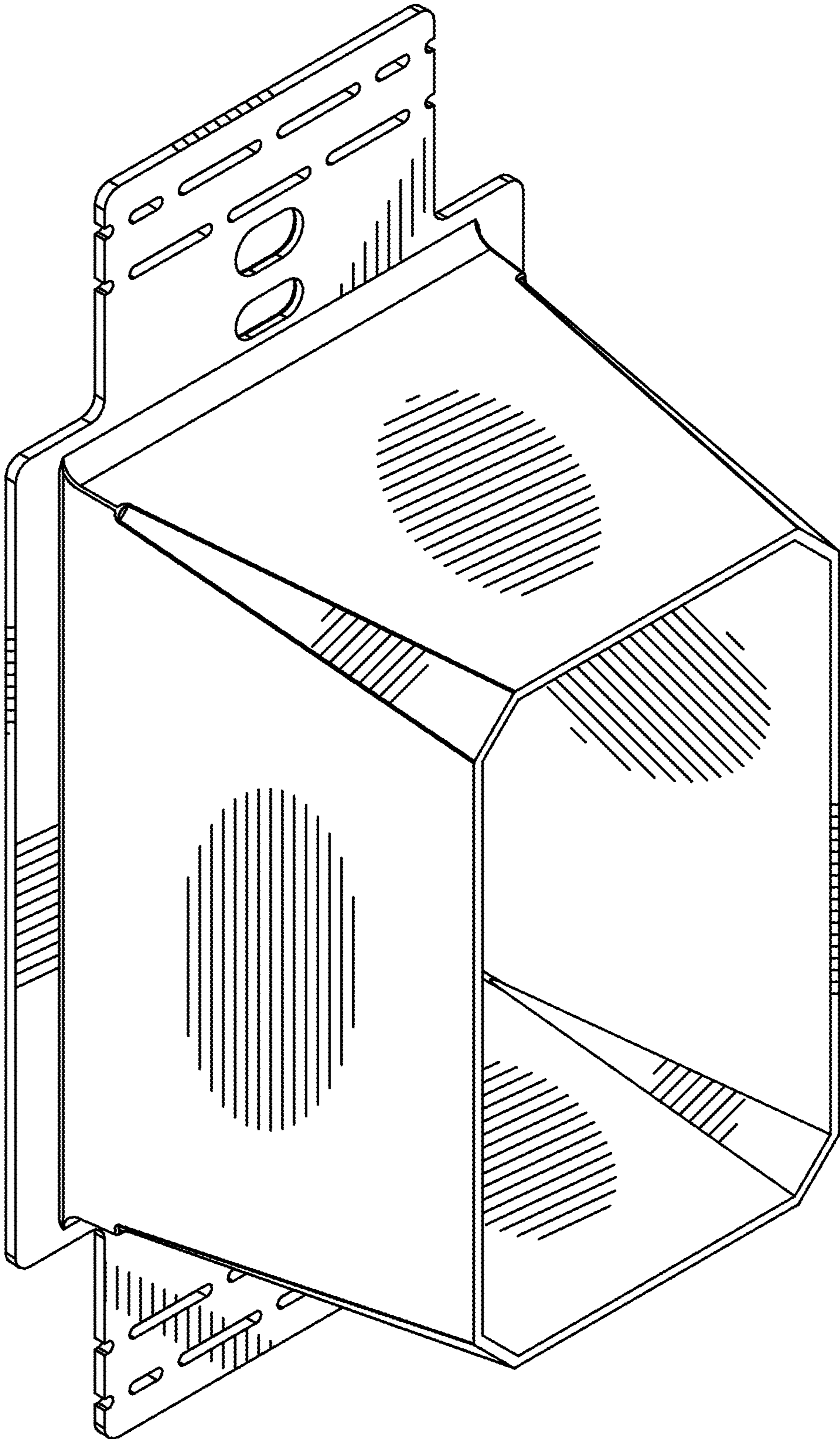


Fig. 6