

US00D776617S

(12) **United States Design Patent**
Lagerstedt et al.

(10) **Patent No.:** **US D776,617 S**
(45) **Date of Patent:** **** Jan. 17, 2017**

(54) **LAMP MODULE FOR LIGHTING CONTROL**

(71) Applicant: **Savant Systems, LLC**, Hyannis, MA (US)

(72) Inventors: **Jonas Lagerstedt**, San Francisco, CA (US); **Robert Brunner**, San Francisco, CA (US)

(73) Assignee: **Savant Systems, LLC**, Hyannis, MA (US)

(**) Term: **15 Years**

(21) Appl. No.: **29/541,407**

(22) Filed: **Oct. 2, 2015**

(51) **LOC (10) Cl.** **13-03**

(52) **U.S. Cl.**
USPC **D13/138.2**

(58) **Field of Classification Search**
USPC D13/137.1-137.4, 138.1-138.2,
D13/139.1-139.8, 108, 110, 180, 103,
D13/162, 171, 134; 439/535; 320/107;
361/730
CPC H02J 7/0045; H02H 73/30; H01R 13/60
See application file for complete search history.

(56) **References Cited**

U.S. PATENT DOCUMENTS

D26,840 S *	3/1897	Höchster	D13/103
D307,742 S	5/1990	Serr et al.		
D324,029 S	2/1992	Luu		
5,736,271 A *	4/1998	Cisar	H02J 7/0045 361/730
5,903,423 A *	5/1999	Okano	H01H 73/30 320/107
D443,584 S *	6/2001	Breyton	D13/103
D459,298 S *	6/2002	Locke	D13/103
D489,337 S *	5/2004	Murray	D13/162
D489,679 S *	5/2004	Wong	D13/103
D515,031 S	2/2006	Woolley et al.		

D552,081 S *	10/2007	Yano	D13/110
D555,085 S *	11/2007	Kim	D13/103
D555,605 S *	11/2007	Parnell	D13/171
D567,185 S	4/2008	Mayo et al.		
7,488,203 B2 *	2/2009	Ledduresire	H01R 13/60 439/535
D610,990 S *	3/2010	Biery	D13/134
D620,889 S *	8/2010	Smith	D13/108
D646,640 S	10/2011	Clymer et al.		
D693,305 S *	11/2013	Kuo	D13/137.2
D704,632 S *	5/2014	On	D13/108
D712,829 S *	9/2014	Huang	D13/110
D718,890 S *	12/2014	Shibata	D13/180
D719,091 S *	12/2014	Ledduresire	D13/110

(Continued)

OTHER PUBLICATIONS

Design U.S. Appl. No. 29/471,640, filed Nov. 4, 2013 by Richard C. Hedderich for Lamp Module for a Lighting Control System, pp. 1-9.

Primary Examiner — Rhea Shields

(74) *Attorney, Agent, or Firm* — Cesari and McKenna, LLP; James A. Blanchette

(57) **CLAIM**

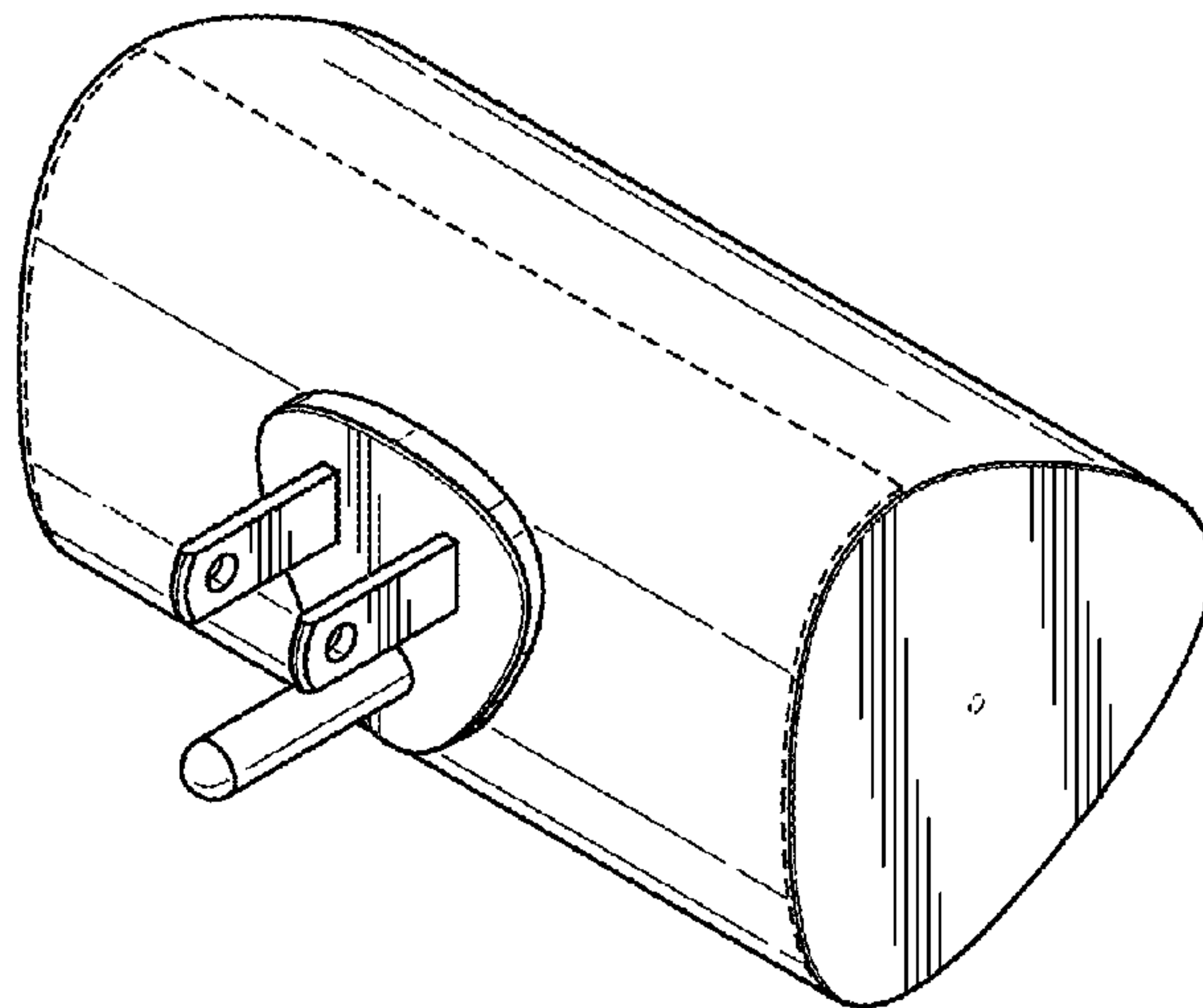
We claim the ornamental design for a lamp module for lighting control, as shown and described.

DESCRIPTION

FIG. 1 is a perspective view showing the new design; FIG. 2 is a top plan view thereof; FIG. 3 is a left side elevational view thereof; FIG. 4 is a front elevational view thereof; FIG. 5 is a right side elevational view thereof; FIG. 6 is a back elevational view thereof; and, FIG. 7 is a bottom plan view thereof.

In the drawings, the broken lines are for the purpose of illustrating environment only and form no part of the claimed design.

1 Claim, 2 Drawing Sheets



(56)

References Cited

U.S. PATENT DOCUMENTS

D735,147 S	7/2015	Willcocks et al.	
D749,509 S *	2/2016	Blau	D13/108
D750,563 S *	3/2016	Hedderich	D13/137.1
D763,796 S *	8/2016	Xu	D13/137.1

* cited by examiner

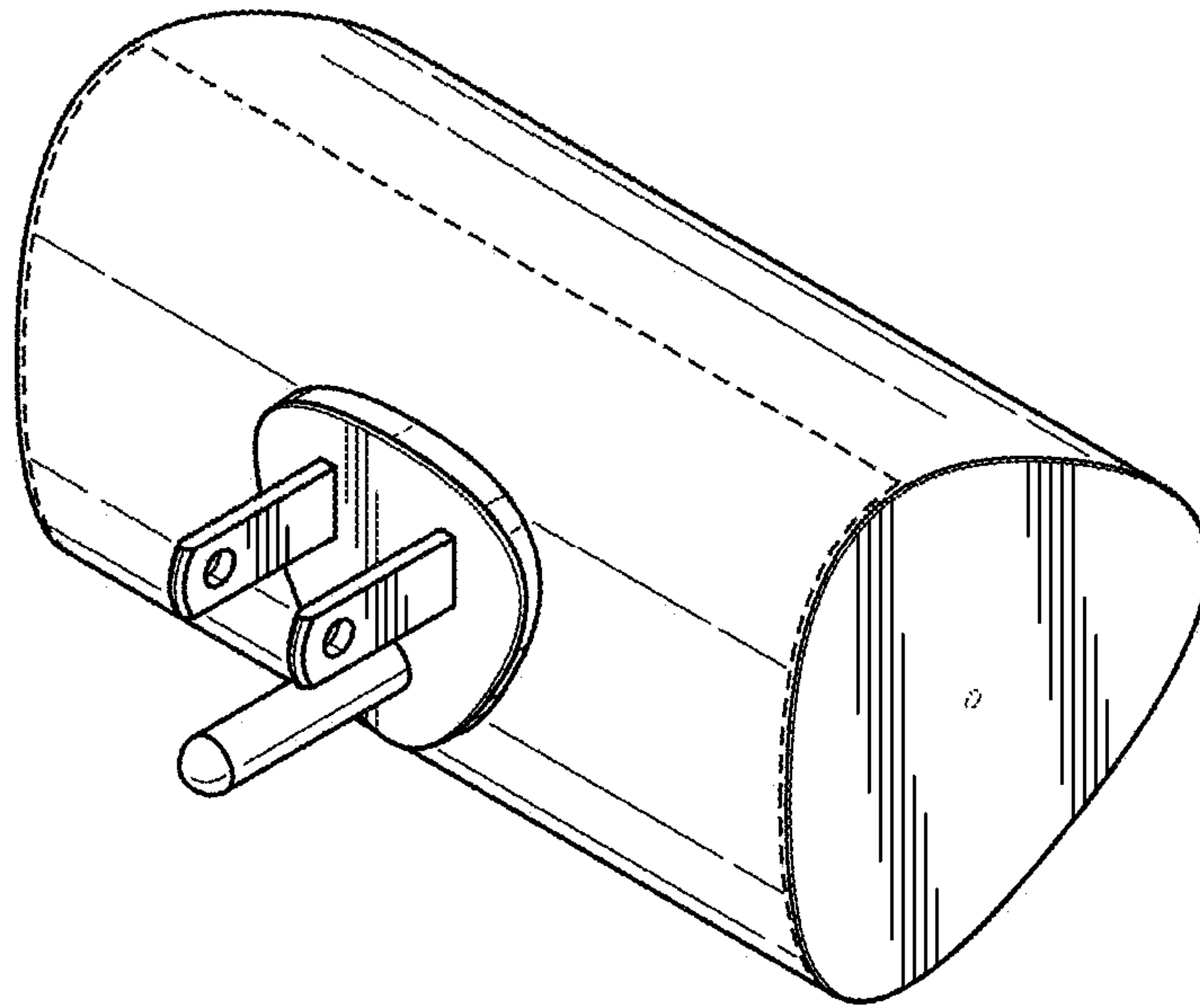


FIG. 1

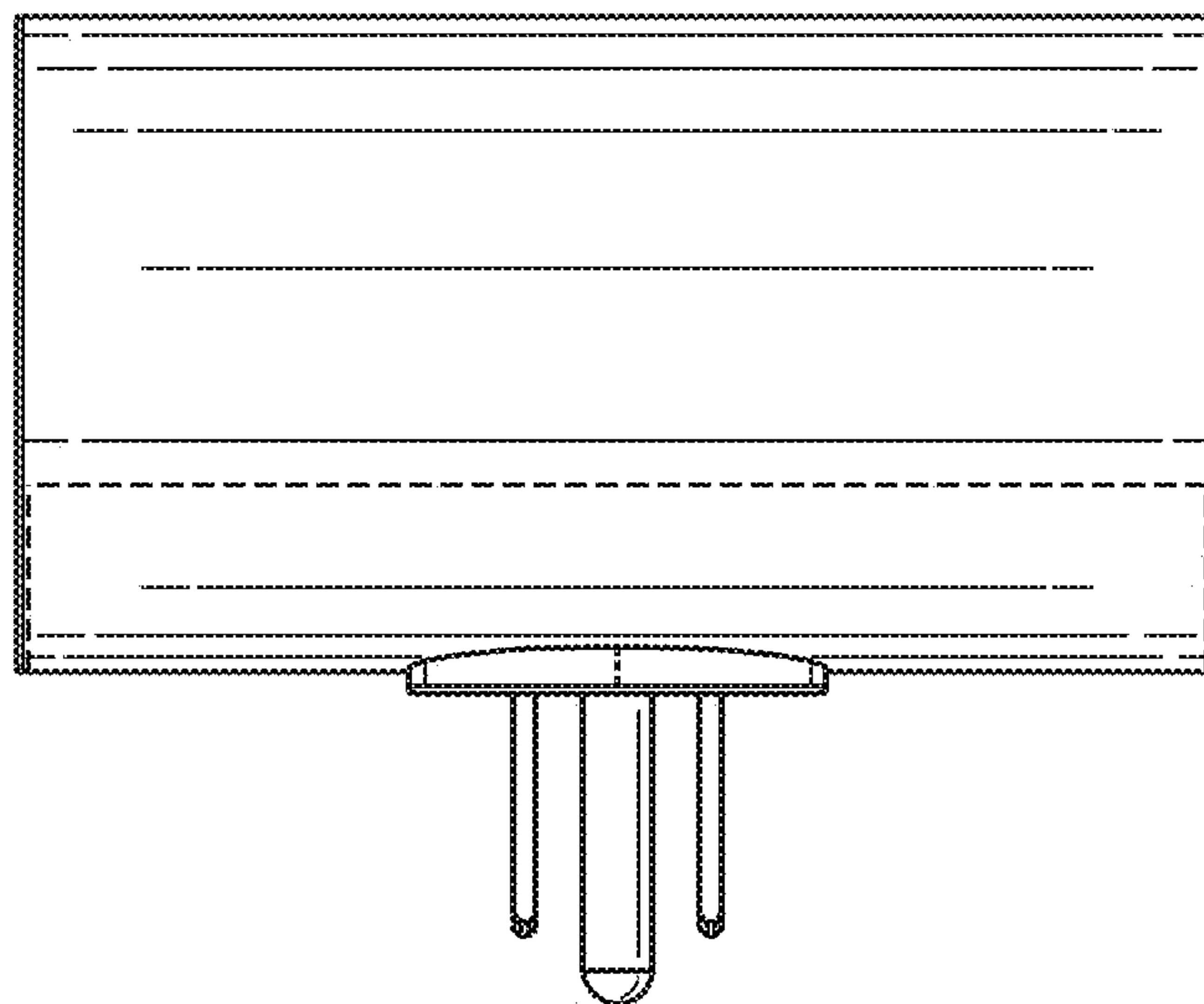


FIG. 2

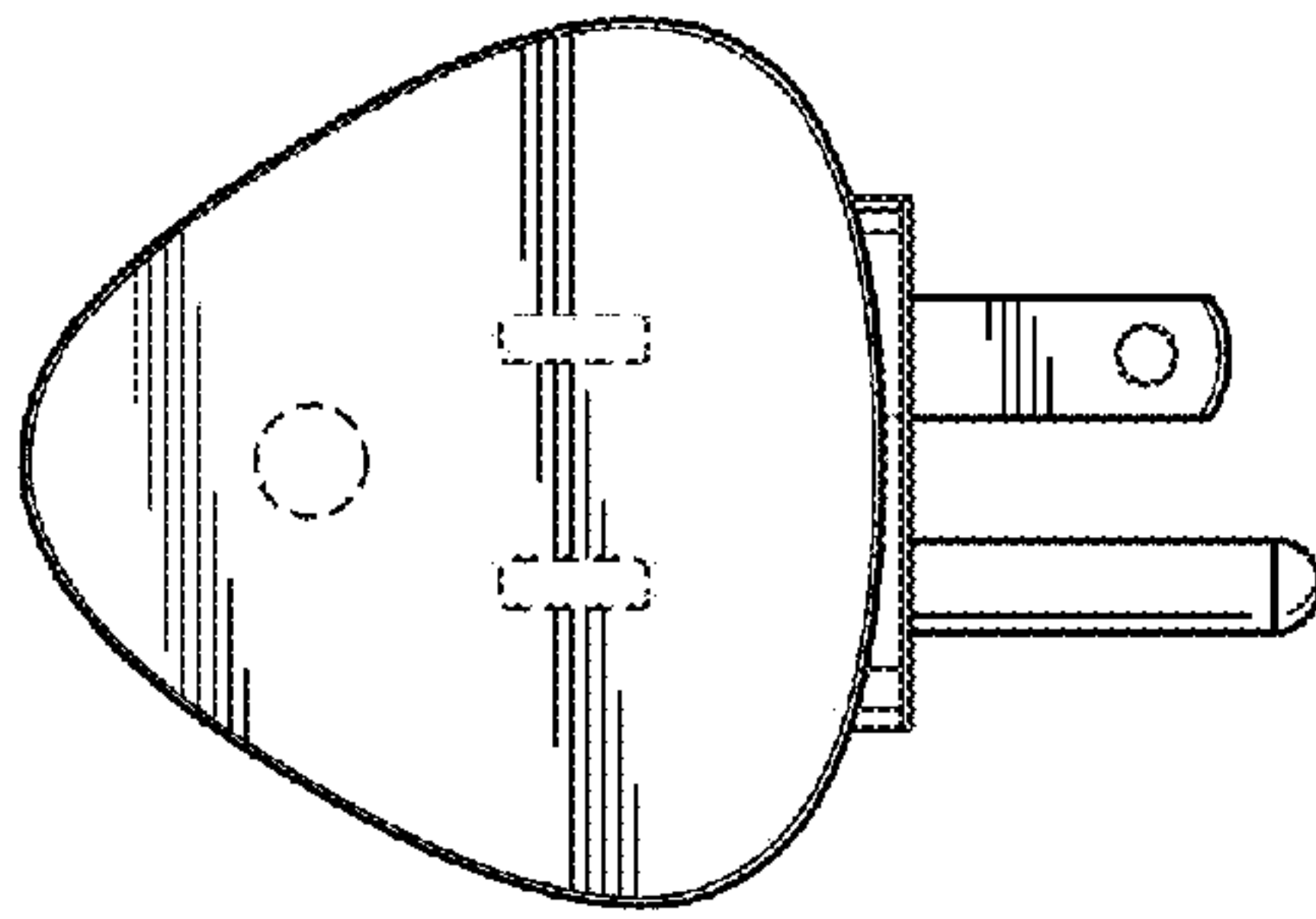


FIG. 3

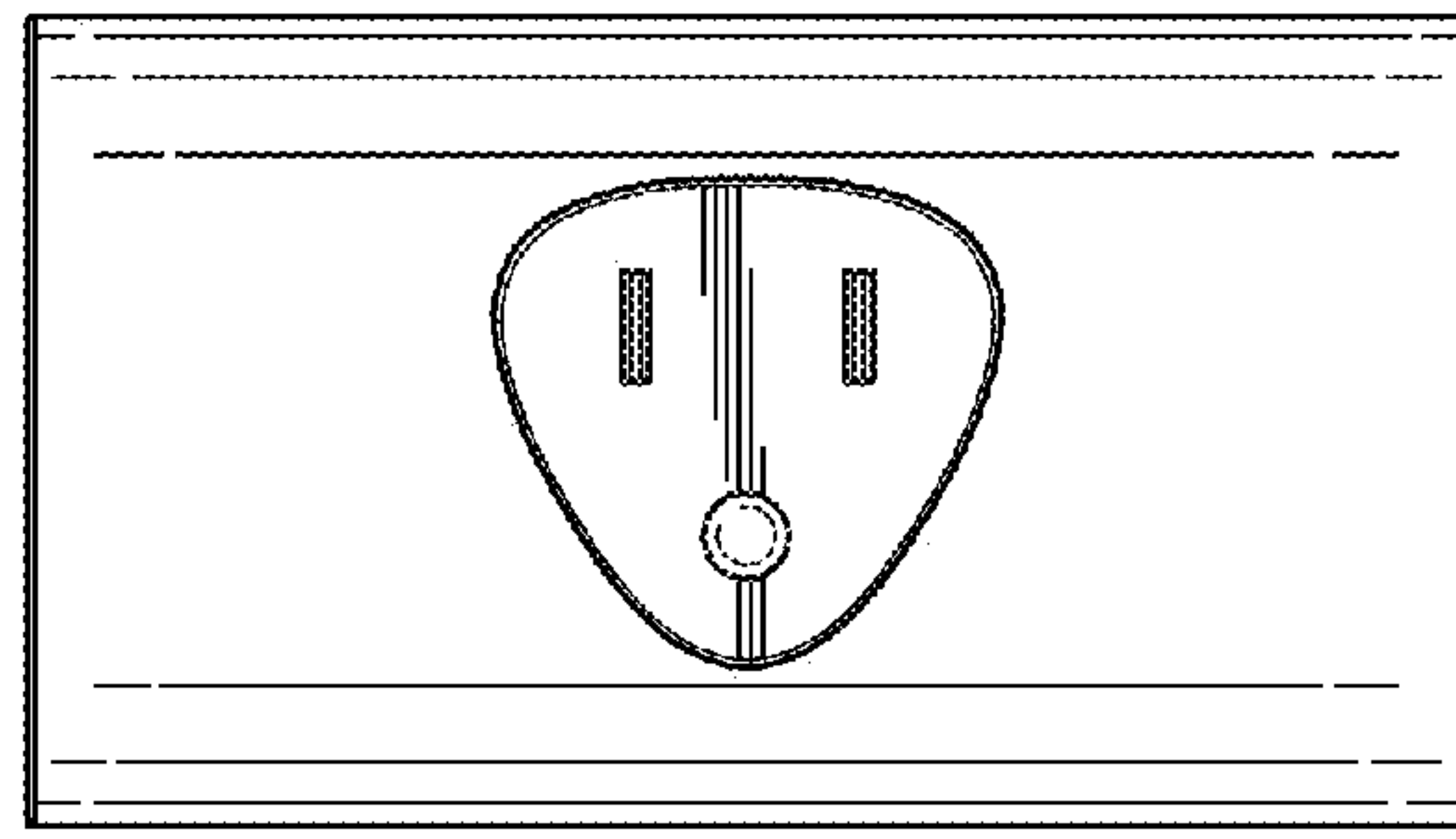


FIG. 4

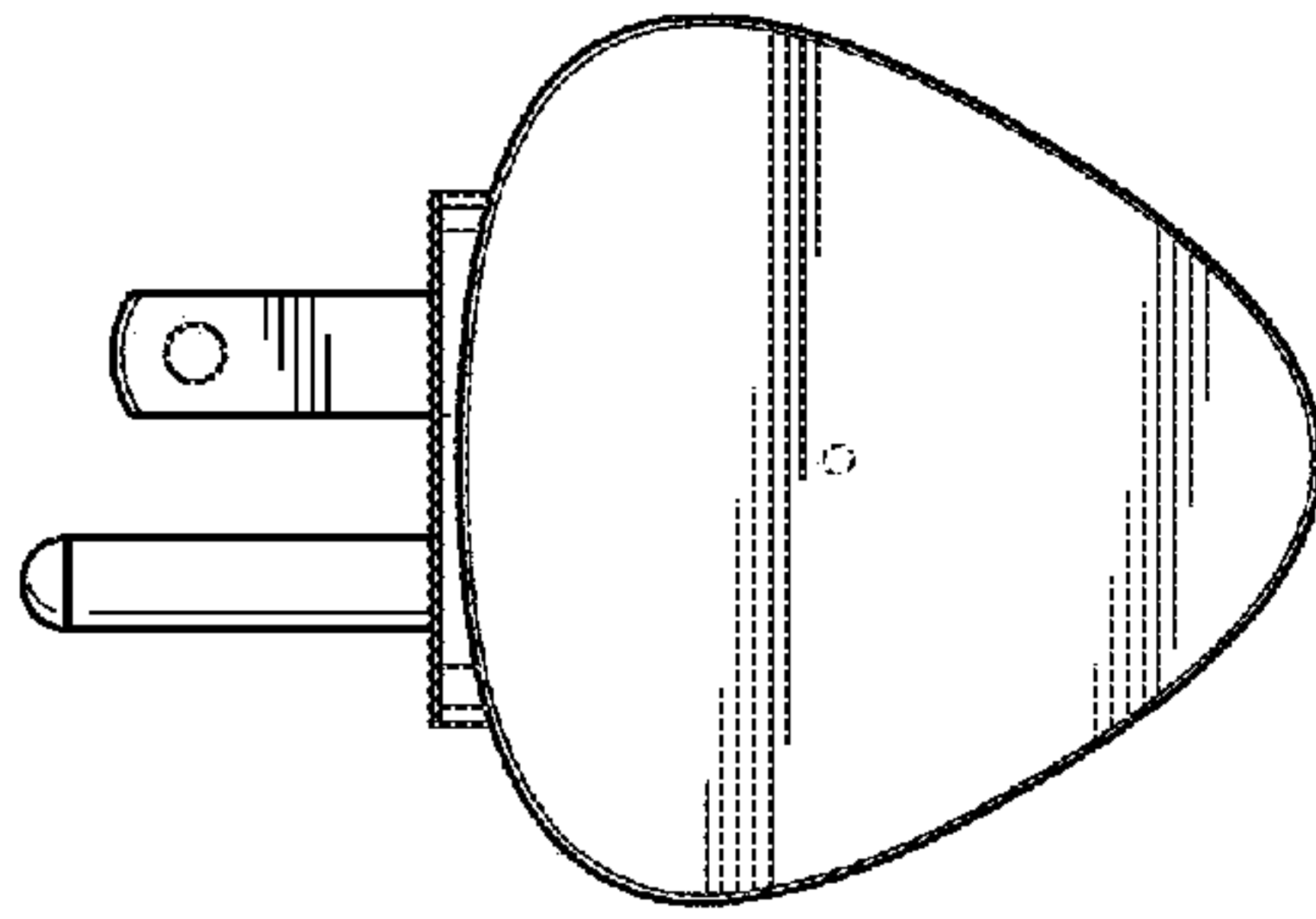


FIG. 5

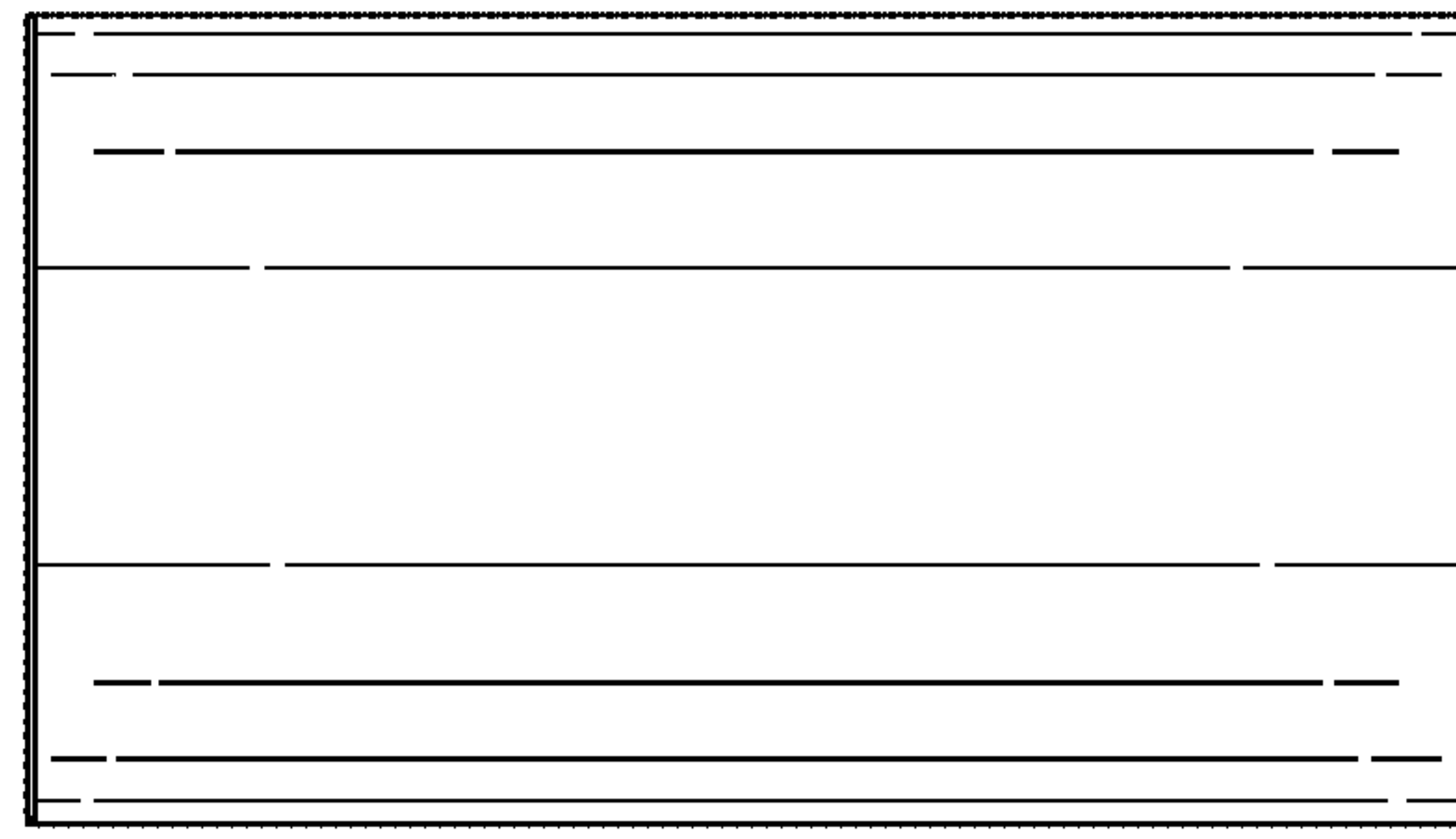


FIG. 6

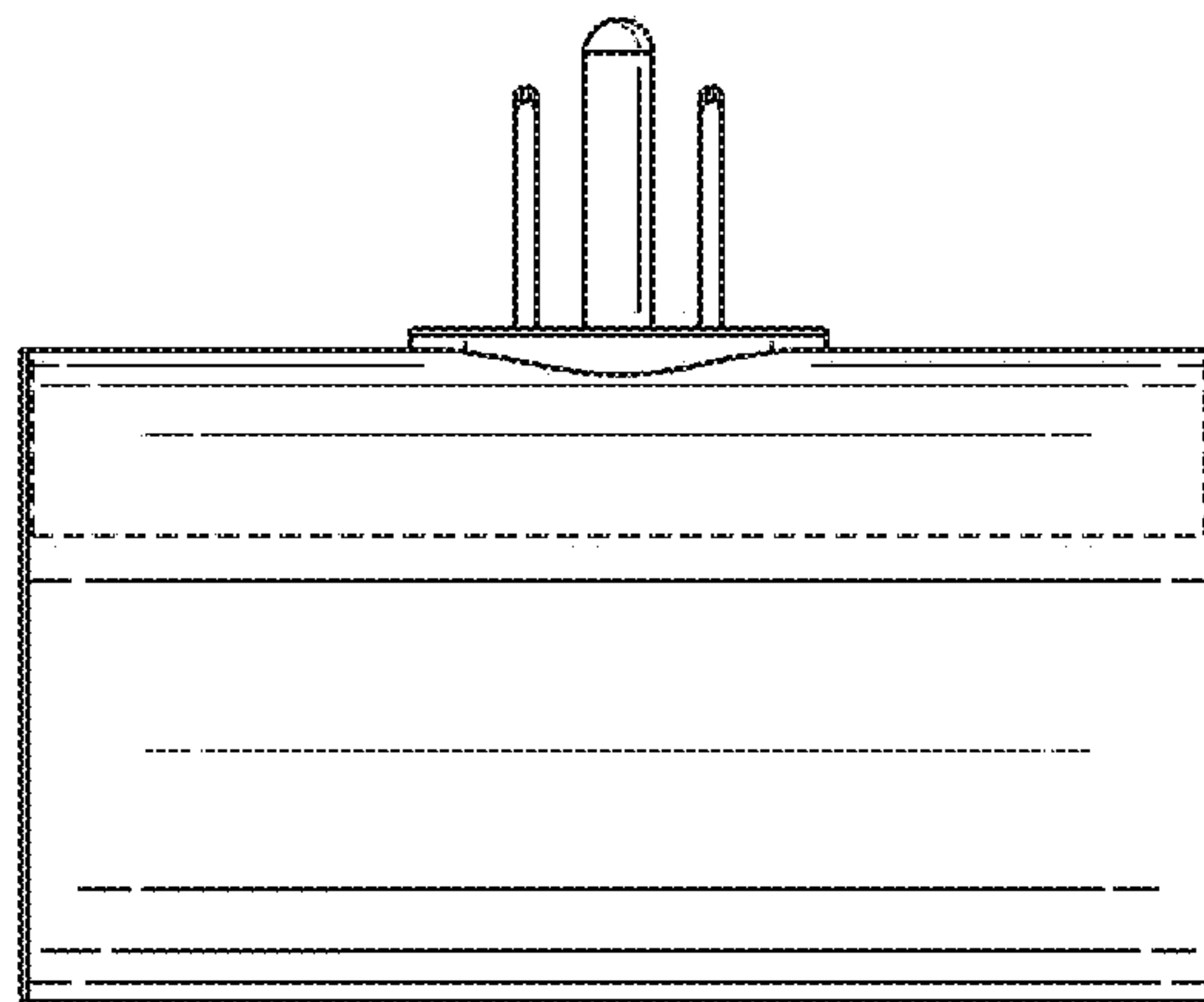


FIG. 7