



US00D776614S

(12) **United States Design Patent** (10) **Patent No.:** **US D776,614 S**  
**Söhnholz** (45) **Date of Patent:** **\*\* Jan. 17, 2017**

- (54) **ACCUMULATOR UNIT**
- (71) Applicant: **Sennheiser electronic GmbH & Co. KG, Wedemark (DE)**
- (72) Inventor: **Gerd Söhnholz, Essel (DE)**
- (73) Assignee: **Sennheiser electronic GmbH & Co. KG, Wedemark (DE)**
- (\*\*) Term: **14 Years**
- (21) Appl. No.: **29/496,241**
- (22) Filed: **Jul. 10, 2014**
- (30) **Foreign Application Priority Data**

Apr. 7, 2014 (DE) ..... 40 2014 000 927

- (51) **LOC (10) Cl.** ..... **13-02**
- (52) **U.S. Cl.**  
USPC ..... **D13/110**
- (58) **Field of Classification Search**  
USPC ..... D13/103, 104, 107, 108, 110, 118,  
119, D13/184, 199; 361/679.55, 679.56;  
429/96, 98, 429/99, 100, 163, 176;  
D14/433, 434  
CPC H01M 2/0434; H01M 2/0456; H01M 2/1005;  
H01M 2/1055; H01M 2/1066  
See application file for complete search history.

(56) **References Cited**  
U.S. PATENT DOCUMENTS

D331,566 S \* 12/1992 Seymour ..... D13/103  
5,259,786 A \* 11/1993 Huang ..... 439/500  
D358,127 S \* 5/1995 Berry ..... D13/103  
D366,238 S \* 1/1996 Zydek et al. .... D13/110  
5,508,123 A \* 4/1996 Fan ..... 429/96  
D389,116 S \* 1/1998 Nuovo et al. .... D13/103  
D401,550 S \* 11/1998 Chambers et al. .... D13/103  
D406,097 S \* 2/1999 Lindahl ..... D13/103

D407,368 S \* 3/1999 Mason ..... D13/119  
D410,892 S \* 6/1999 Prior ..... D13/103  
D410,893 S \* 6/1999 Chintala et al. .... D13/103  
D421,957 S \* 3/2000 Waldner ..... D13/103  
D427,563 S \* 7/2000 Waldner ..... D13/103  
D439,217 S \* 3/2001 Melnicoff ..... D13/103  
D456,001 S \* 4/2002 Arbisi et al. .... D13/103  
D482,683 S \* 11/2003 Burns et al. .... D14/248  
D521,445 S \* 5/2006 Liu ..... D13/103  
D521,447 S \* 5/2006 Ono et al. .... D13/103  
7,582,379 B2 \* 9/2009 Yoon et al. .... 429/163  
D716,731 S \* 11/2014 Johnson ..... D13/118  
D729,731 S \* 5/2015 Dasbach ..... D13/110  
D731,419 S \* 6/2015 Kao ..... D13/108  
D736,755 S \* 8/2015 Kwak ..... D14/248  
D737,758 S \* 9/2015 Takeshita ..... D13/103  
D743,335 S \* 11/2015 Chang ..... D13/110  
D744,470 S \* 12/2015 Stevinson ..... D14/250  
D752,513 S \* 3/2016 Willard ..... D13/110

(Continued)

*Primary Examiner* — Derrick Holland  
*Assistant Examiner* — Jennifer O King  
(74) *Attorney, Agent, or Firm* — Frommer Lawrence & Haug LLP

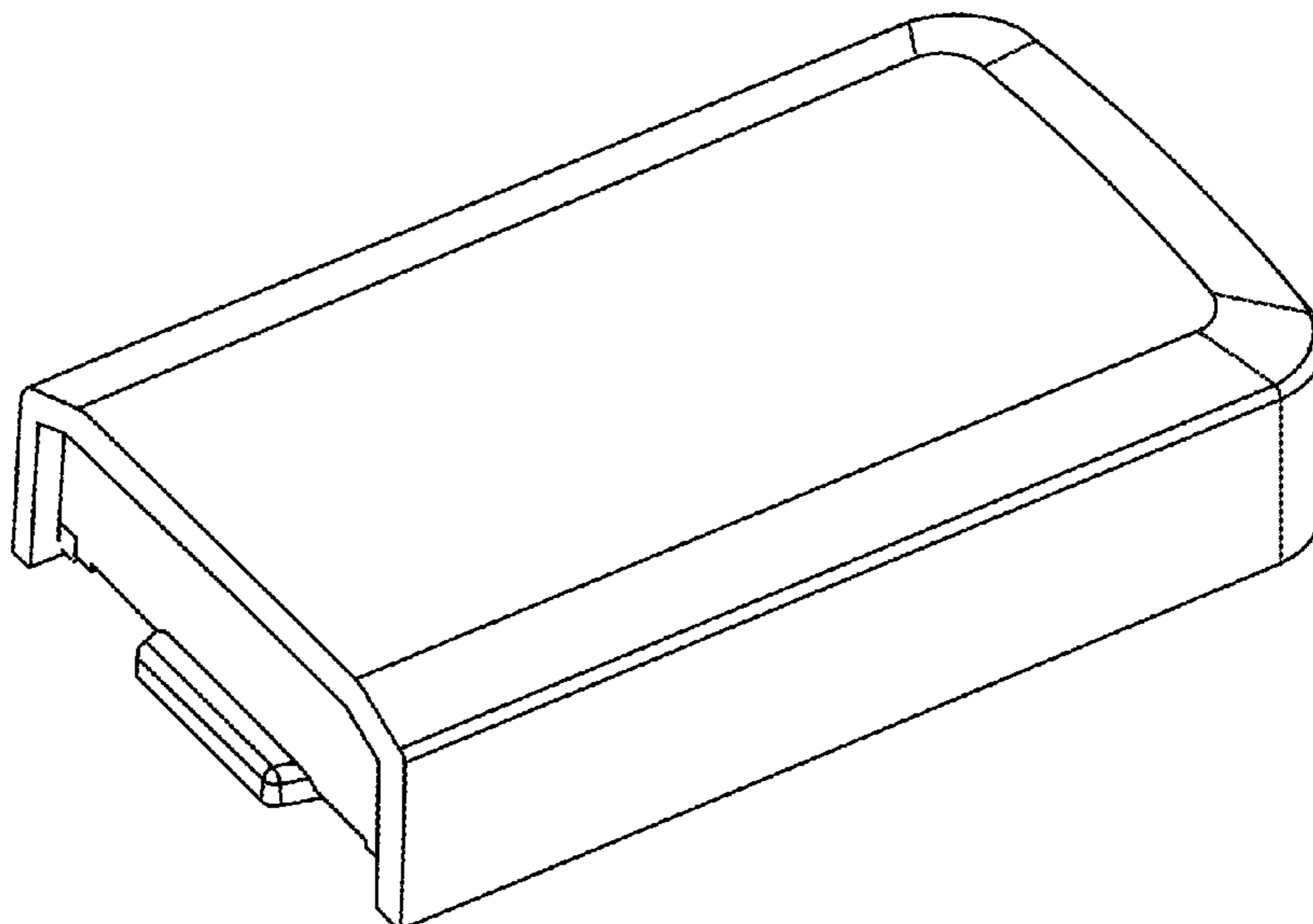
(57) **CLAIM**

The ornamental design for an accumulator unit, as shown and described.

**DESCRIPTION**

FIG. 1 is a right side view of an accumulator unit in accordance with the invention;  
FIG. 2 is a front view thereof;  
FIG. 3 is a top view thereof;  
FIG. 4 is a rear view thereof;  
FIG. 5 is a left side view thereof;  
FIG. 6 is a bottom view thereof; and,  
FIG. 7 is a perspective view thereof.  
The broken lines shown in the drawings represent unclaimed subject matter and form no part of the claimed design.

**1 Claim, 7 Drawing Sheets**



(56)

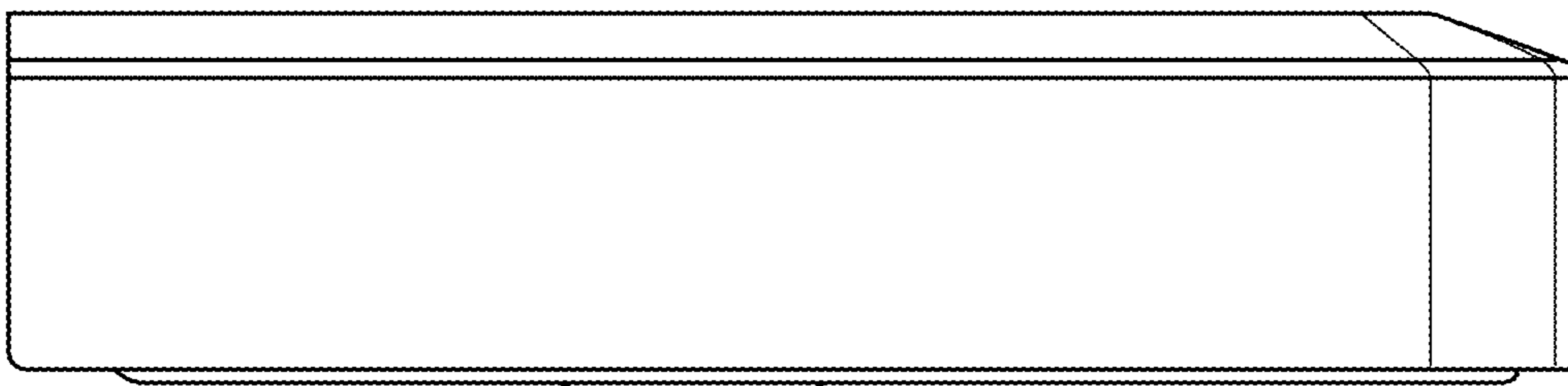
**References Cited**

U.S. PATENT DOCUMENTS

D754,603 S *	4/2016	Takano .....	D13/123
D762,565 S *	8/2016	Akana .....	D13/103
2003/0175584 A1 *	9/2003	Shrim et al. ....	429/96
2005/0208345 A1 *	9/2005	Yoon et al. ....	429/7
2010/0320968 A1 *	12/2010	Sip et al. ....	320/114
2013/0004799 A1 *	1/2013	Bang et al. ....	429/7

\* cited by examiner

Fig. 1



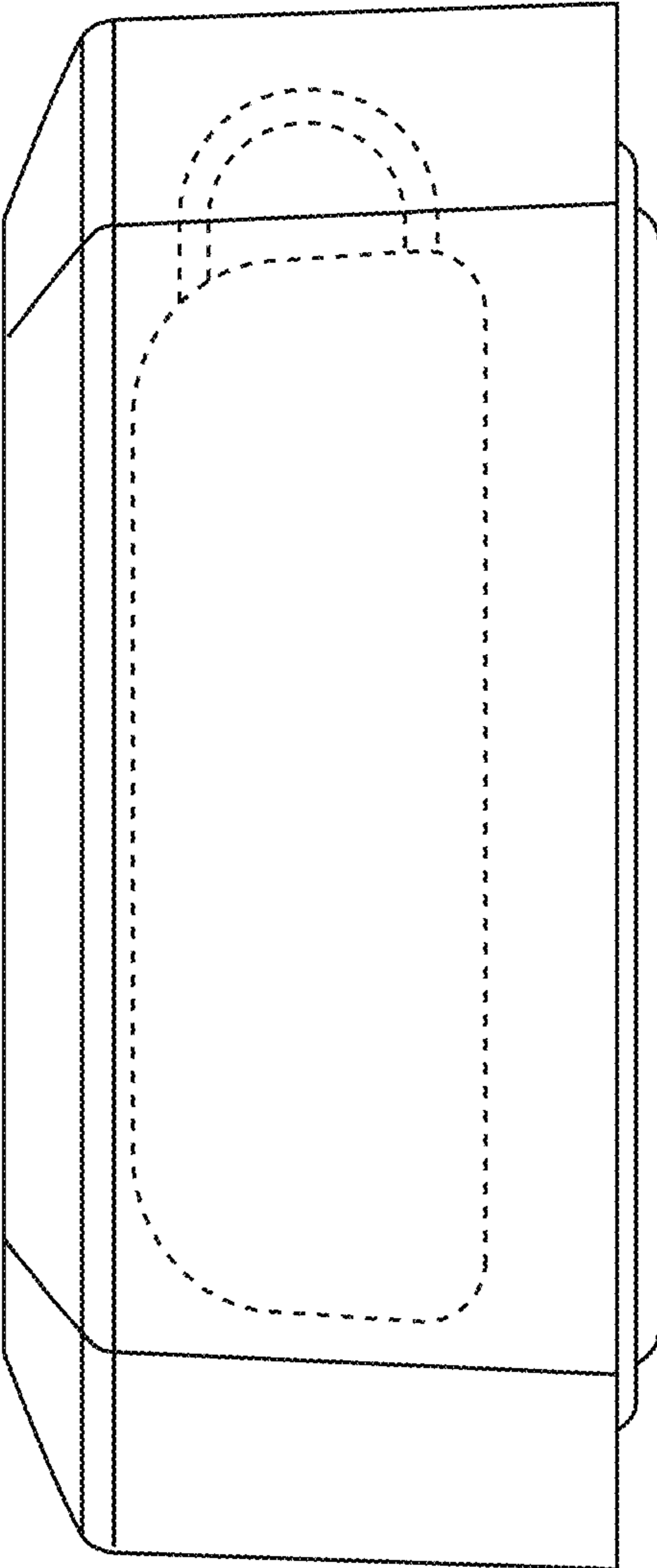
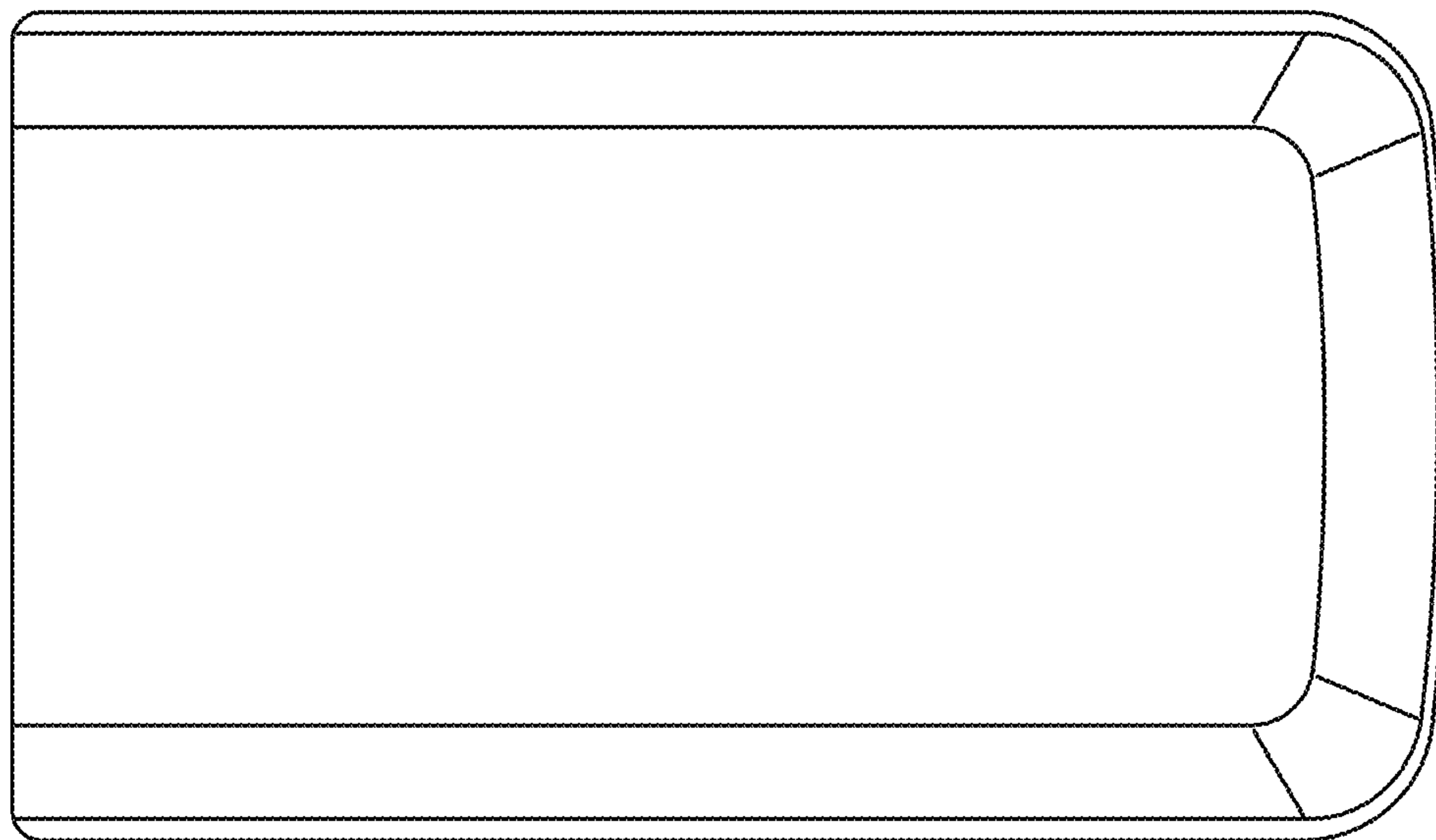


Fig. 2

Fig. 3



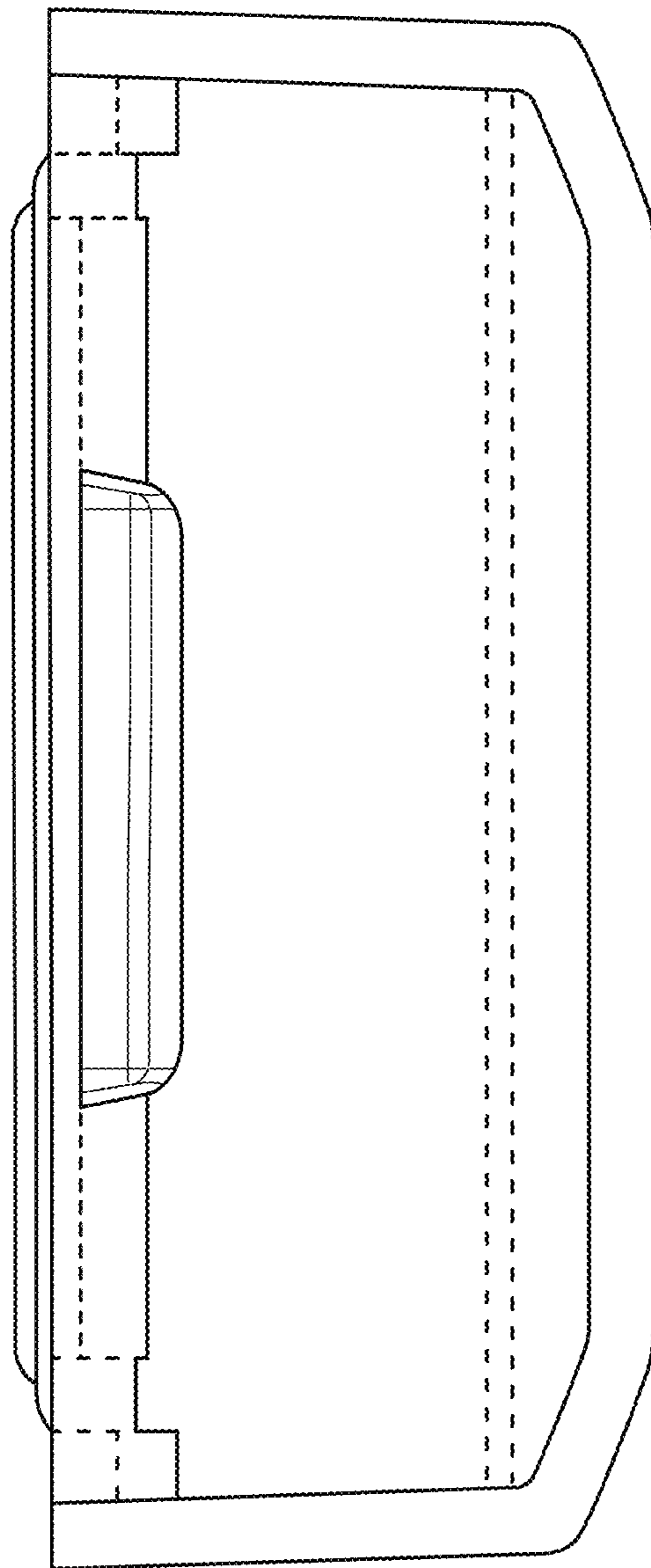
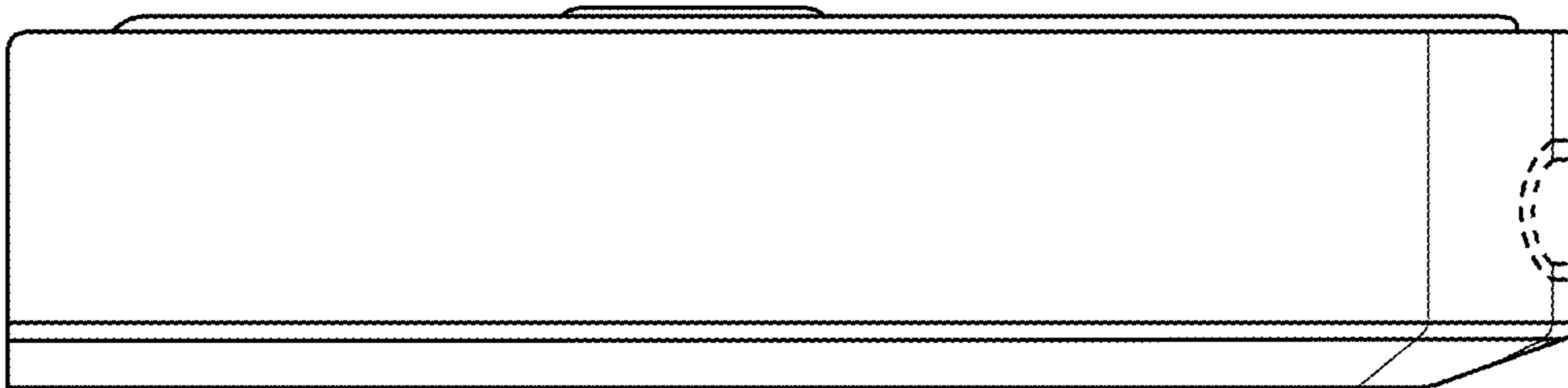


Fig. 4

Fig. 5



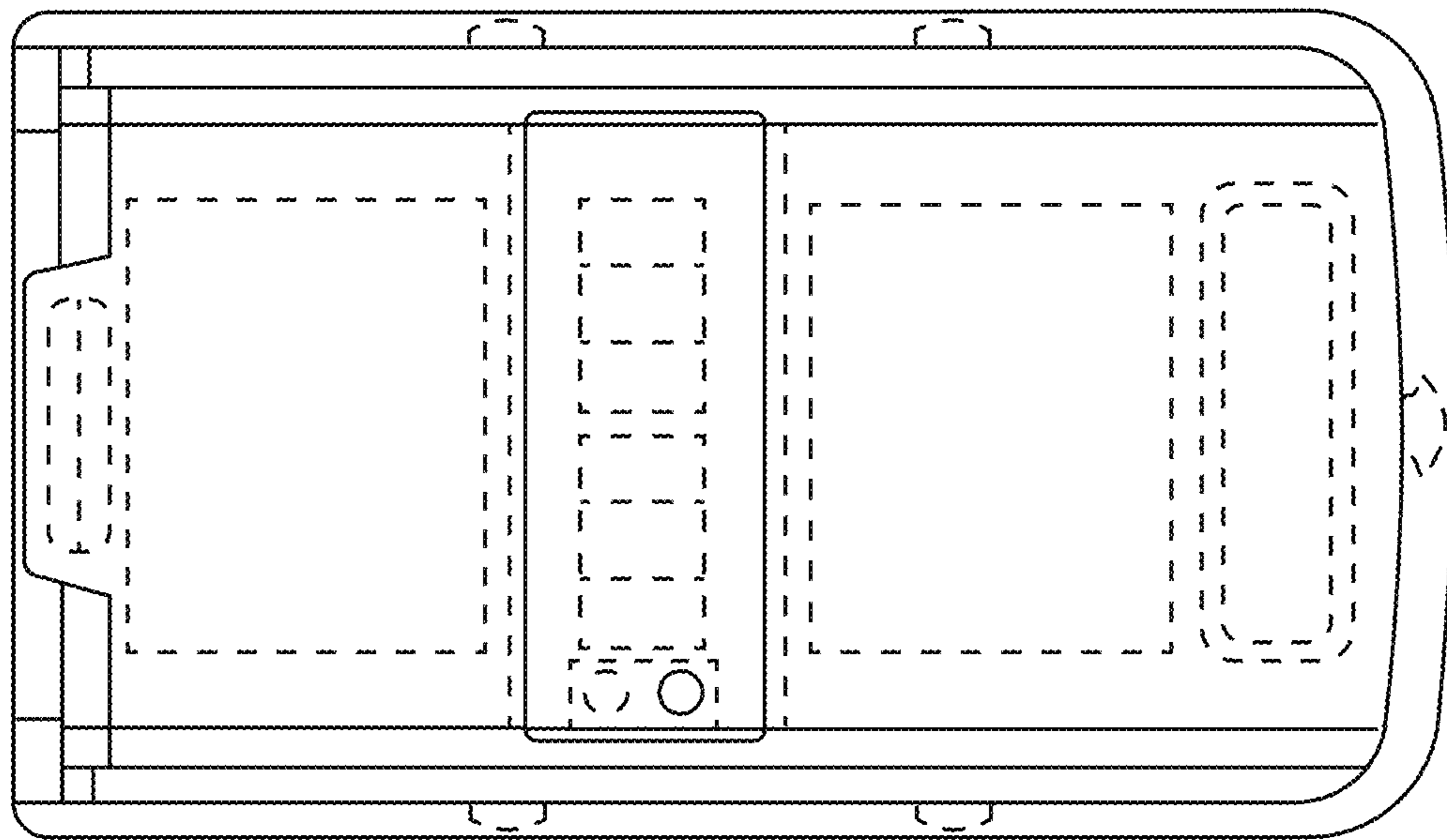


Fig. 6



Fig. 7

