



US00D776613S

(12) **United States Design Patent** (10) **Patent No.:** **US D776,613 S**
Levy (45) **Date of Patent:** **** Jan. 17, 2017**

(54) **BATTERY**
(71) Applicant: **Laura S. Levy**, Santa Barbara, CA (US)
(72) Inventor: **Laura S. Levy**, Santa Barbara, CA (US)

D277,997 S * 3/1985 Horner D2/642
4,751,150 A * 6/1988 Oogita H01M 2/34
429/1
D508,739 S * 8/2005 Shillingburg D25/113
D601,527 S 10/2009 Lee
D730,142 S * 5/2015 Shapiro D8/72
D751,985 S * 3/2016 Curry D13/103
(Continued)

(**) Term: **15 Years**

OTHER PUBLICATIONS

(21) Appl. No.: **29/537,011**
(22) Filed: **Aug. 21, 2015**
(51) **LOC (10) Cl.** **13-02**
(52) **U.S. Cl.**
USPC **D13/103**

LauraLevyDesigns.blogspot.com: BAT-GO B.A.T.T.E.R.Y. Paper Battery for iPhones. Published Dec. 31, 2014. Retrieved from internet at <<http://lauralevydesigns.blogspot.com/2014/12/bat-go-battery-paper-battery-for-iphones.html>>, Apr. 13, 2016. 2 pages.*

(Continued)

(58) **Field of Classification Search**
USPC D13/102–110, 118–119, 184, 199, 120, D13/154, 146, 147, 133; D14/356, 432; 320/103, 111–115, 135, 138, 140; D25/113, 126, 138, 131; D8/72
CPC Y02E 60/10; Y02E 60/12; Y02E 60/122; Y02E 60/124; Y02E 60/50; H01M 2/02; H01M 2/20; H01M 2/022; H01M 2/0202; H01M 2/0207; H01M 2/0212; H01M 2/1061; H01M 2/1022; H01M 2/1055; H01M 2/1066; H01M 2/105; H01M 2/204; H01M 2/202; H01M 2/206; H01M 10/4257; H01M 10/0436; H01M 10/48; H01M 10/44; H01M 10/46; H01M 10/465; H01M 10/482; H01M 2200/30; H01M 2250/30; H01M 2250/40; H02J 7/00; H02J 7/0003; H02J 7/0011; H02J 7/0013; H02J 7/0054; H02J 7/0055; H02J 7/0057; H02J 2007/0062
See application file for complete search history.

Primary Examiner — Rosemary K Tarcza
Assistant Examiner — Christy Nemeth

(57) **CLAIM**

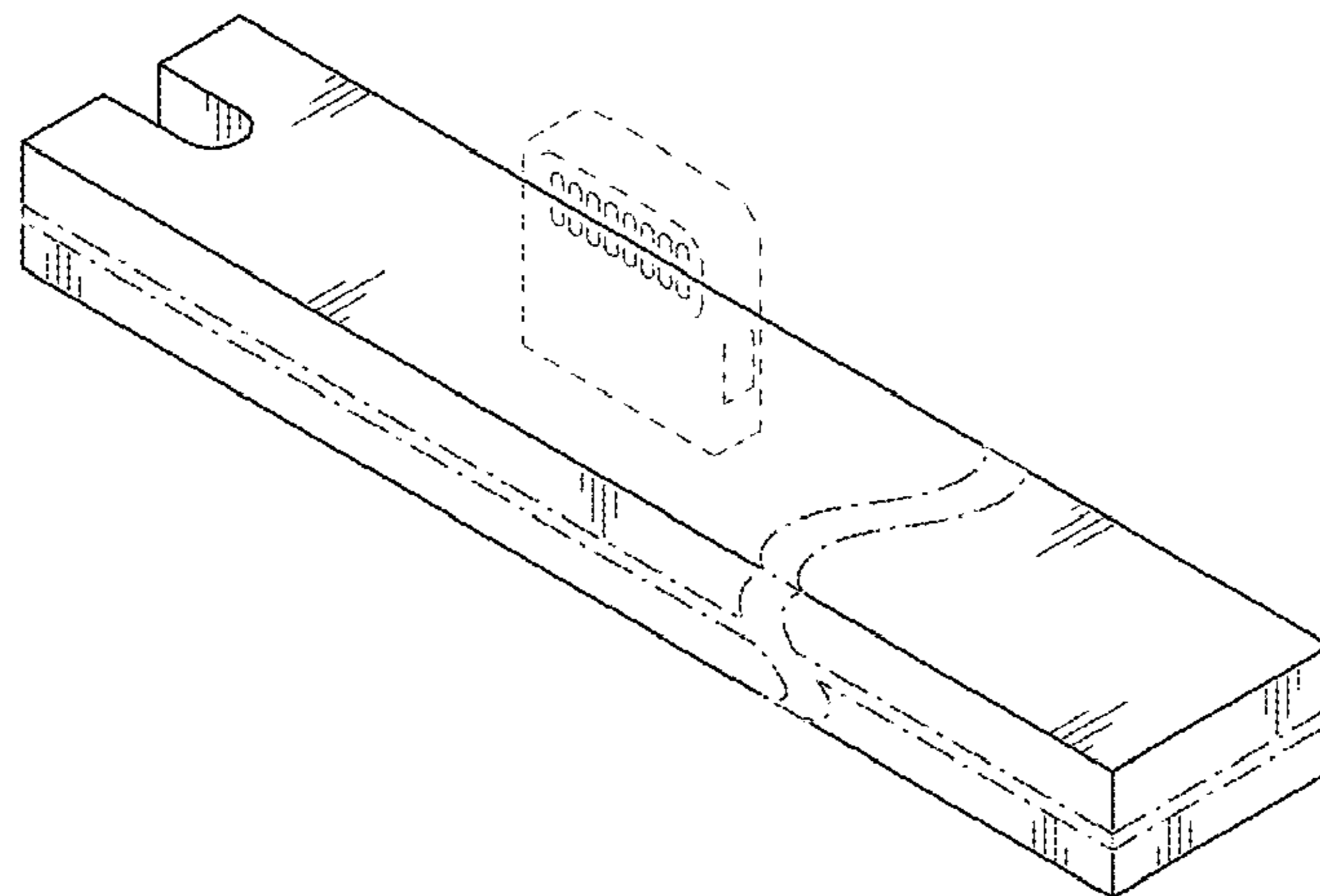
The ornamental design for a battery, as shown and described.

DESCRIPTION

FIG. 1 is an isometric view of a battery; FIG. 2 is a front elevation view thereof; FIG. 3 is a rear elevation view thereof; FIG. 4 is a left side elevation view thereof; FIG. 5 is a right side elevation view thereof; FIG. 6 is a top plan view thereof; FIG. 7 is a bottom plan view thereof; and, FIG. 8 is an isometric view thereof. The dashed broken lines shown in the drawings illustrate elements of the battery which form no part of the claimed design. The battery is shown with a symbolic break in its length and width. The appearance of any portion of the battery between the break lines forms no part of the claimed design. The dash-dot broken lines shown in the drawings represent the boundaries of the claimed design, and form no part thereof.

(56) **References Cited**
U.S. PATENT DOCUMENTS
244,594 A * 7/1881 Guyer E01C 5/00
404/41
D262,240 S * 12/1981 Greifelt D2/642

1 Claim, 3 Drawing Sheets



(56)

References Cited

U.S. PATENT DOCUMENTS

2010/0216007 A1* 8/2010 Kane H01M 2/0245
429/153

OTHER PUBLICATIONS

Google+: Laura Levy BAT-GO Insta-charge and BAT-GO B.A.T.
T.E.R.Y. Paper Battery for iPhone. Published Mar. 23, 2015 and Jan.
20, 2015. Retrieved from internet at <[https://plus.google.com/
+lauralevydesanchez](https://plus.google.com/+lauralevydesanchez)>, Apr. 13, 2016. 1 page.*

* cited by examiner

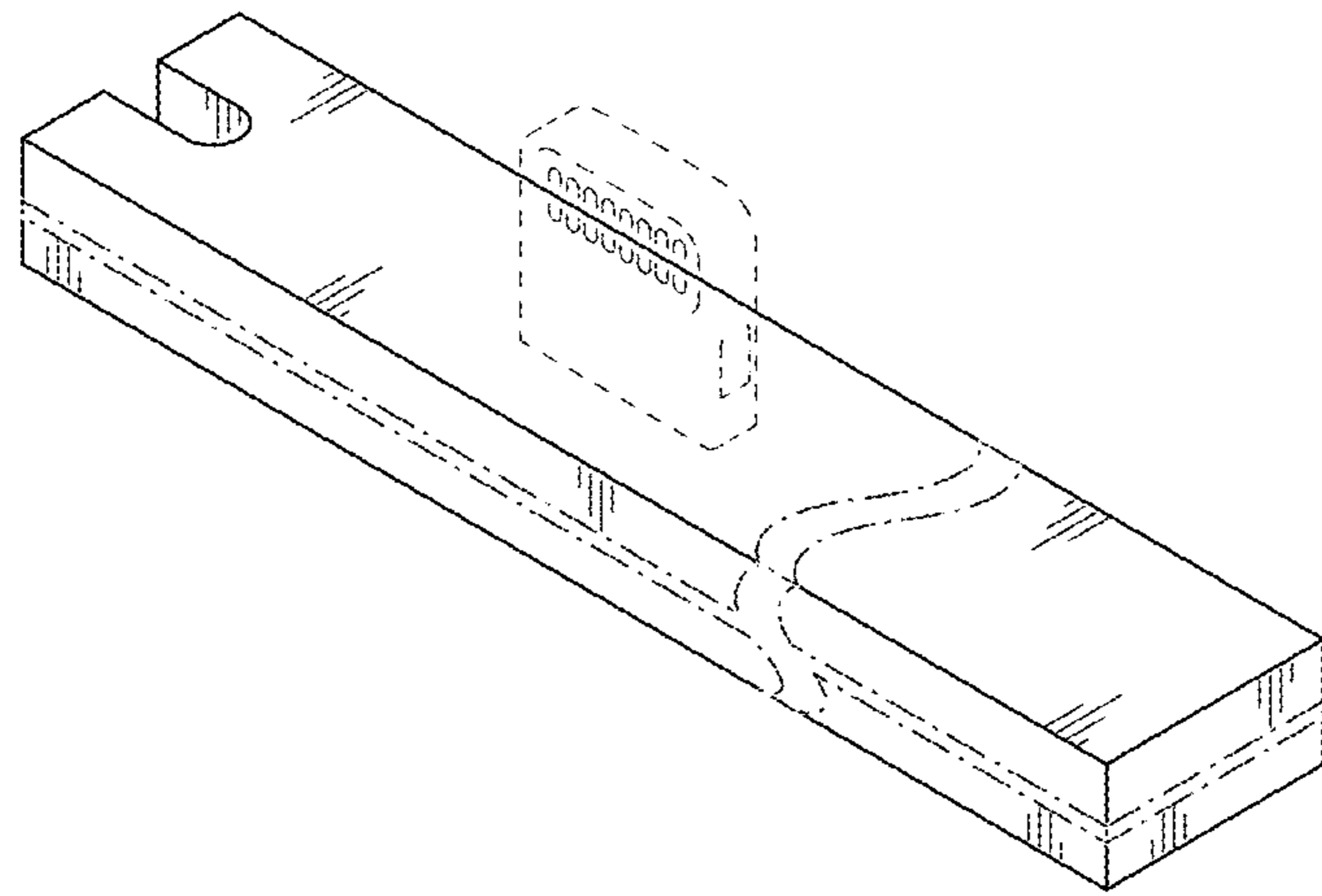


FIG. 1

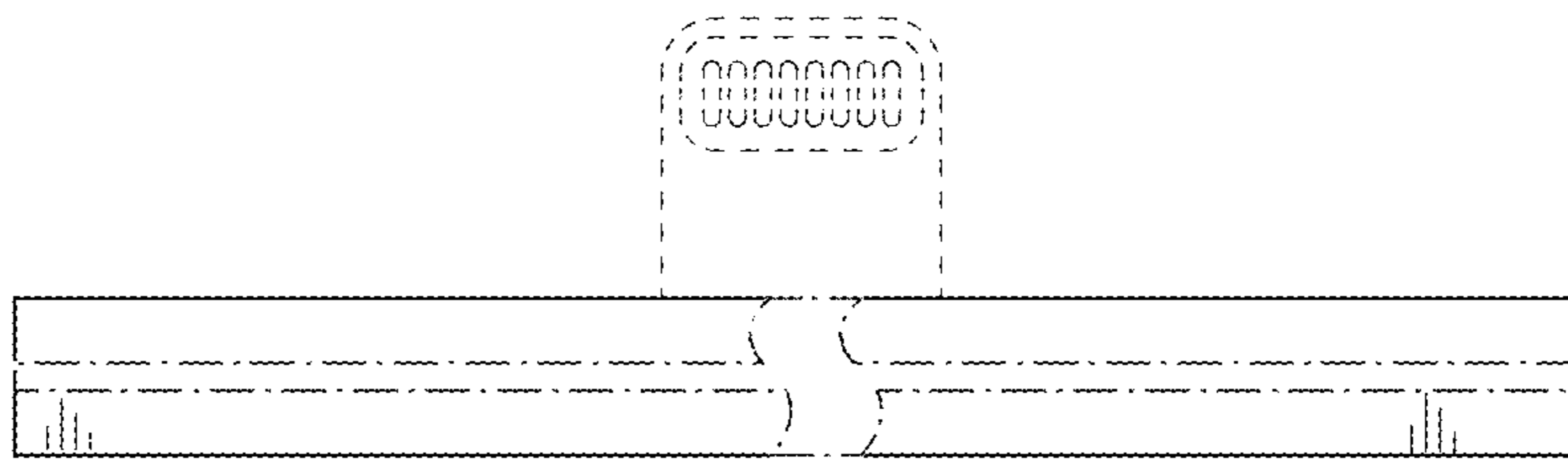


FIG. 2

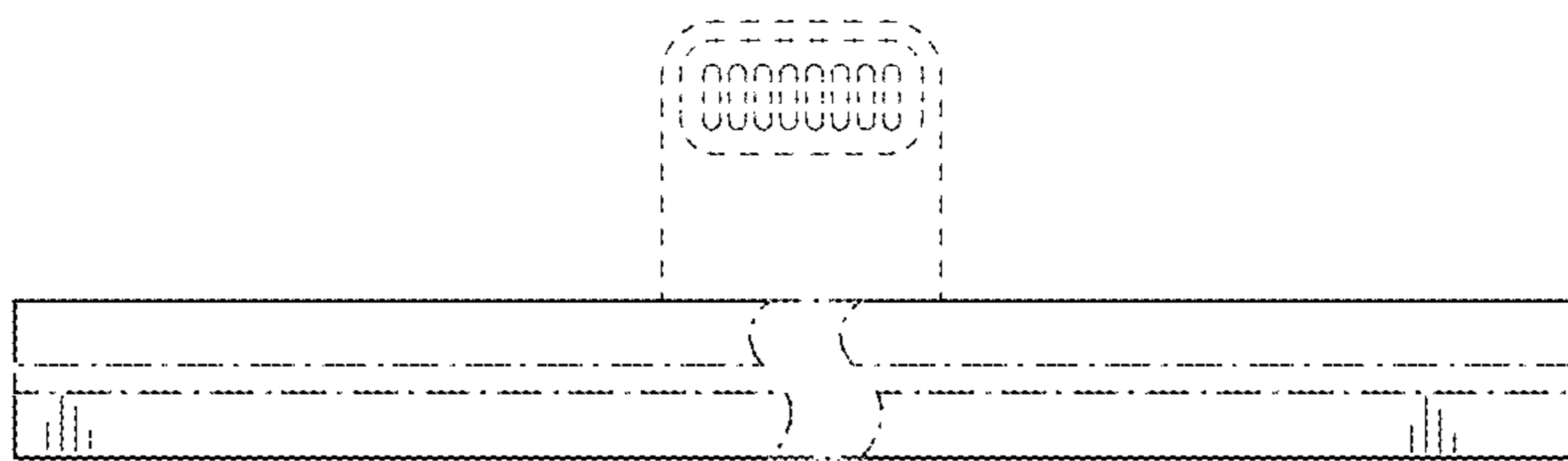


FIG. 3

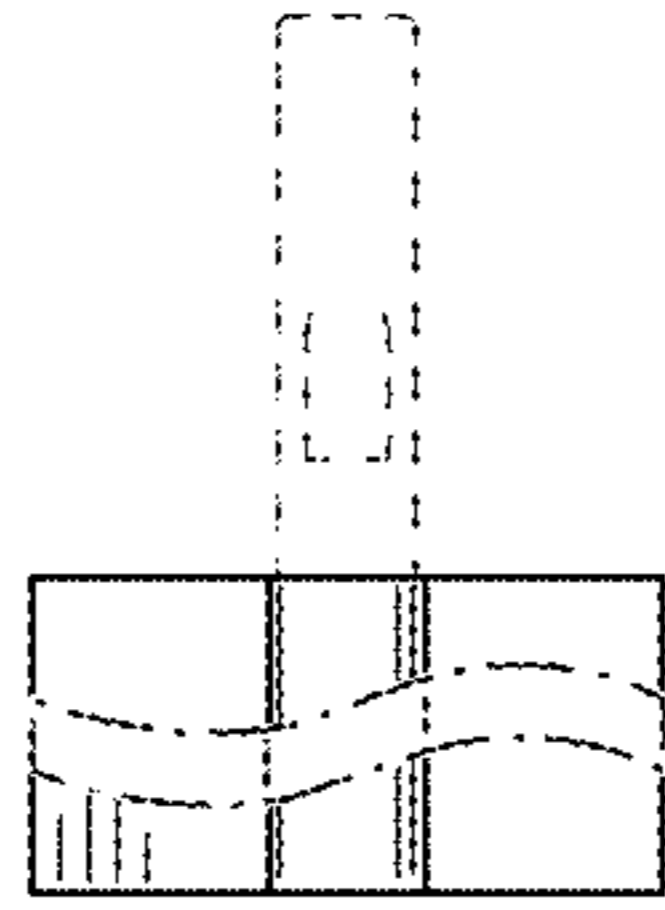


FIG. 4

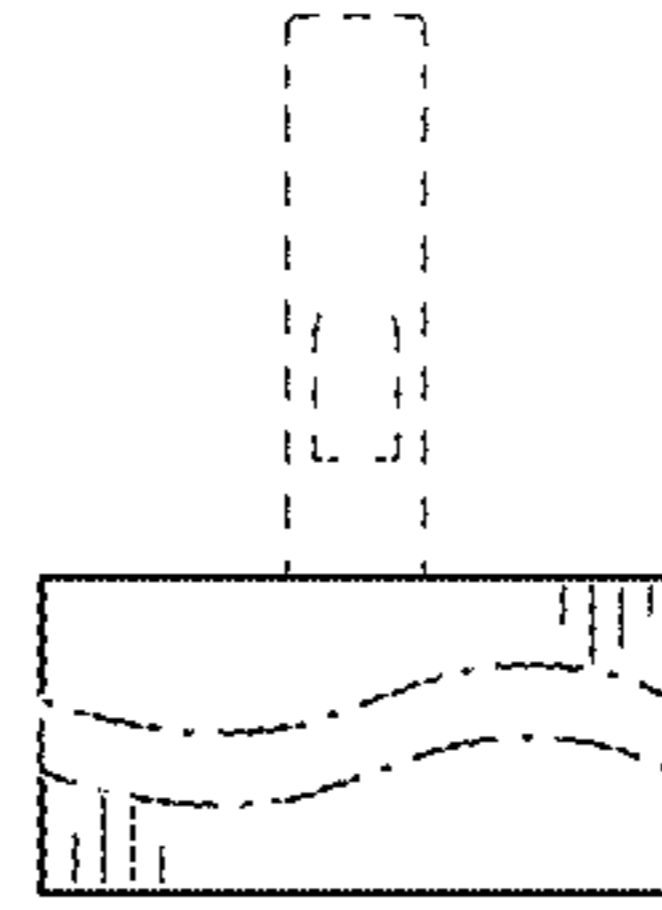


FIG. 5

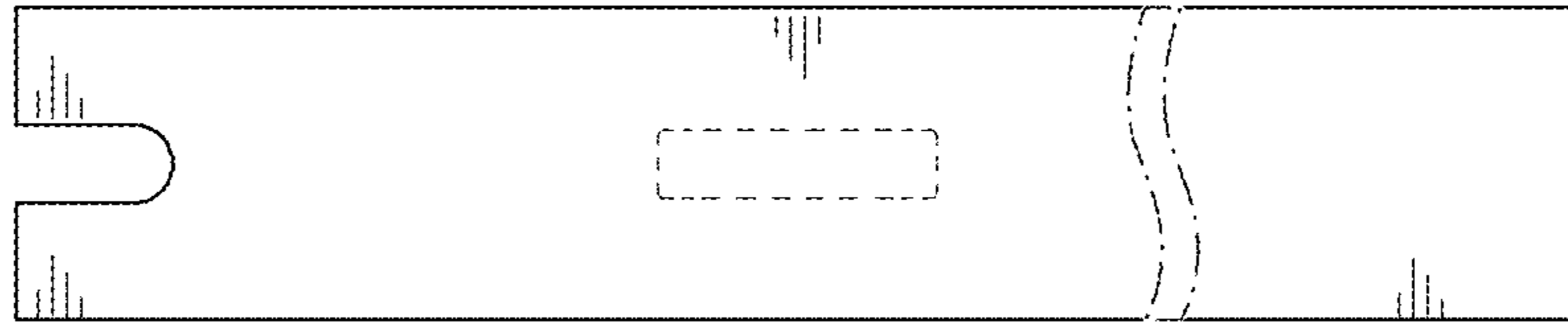


FIG. 6

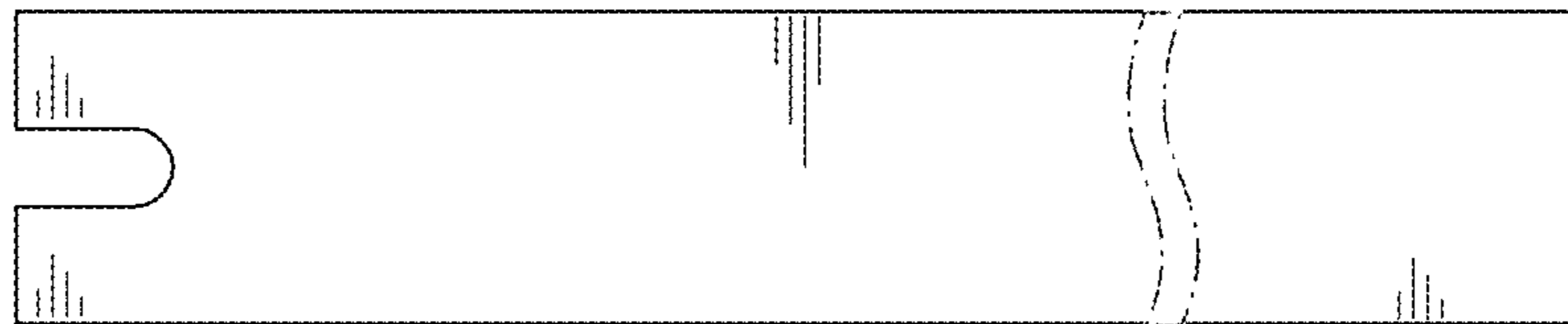


FIG. 7

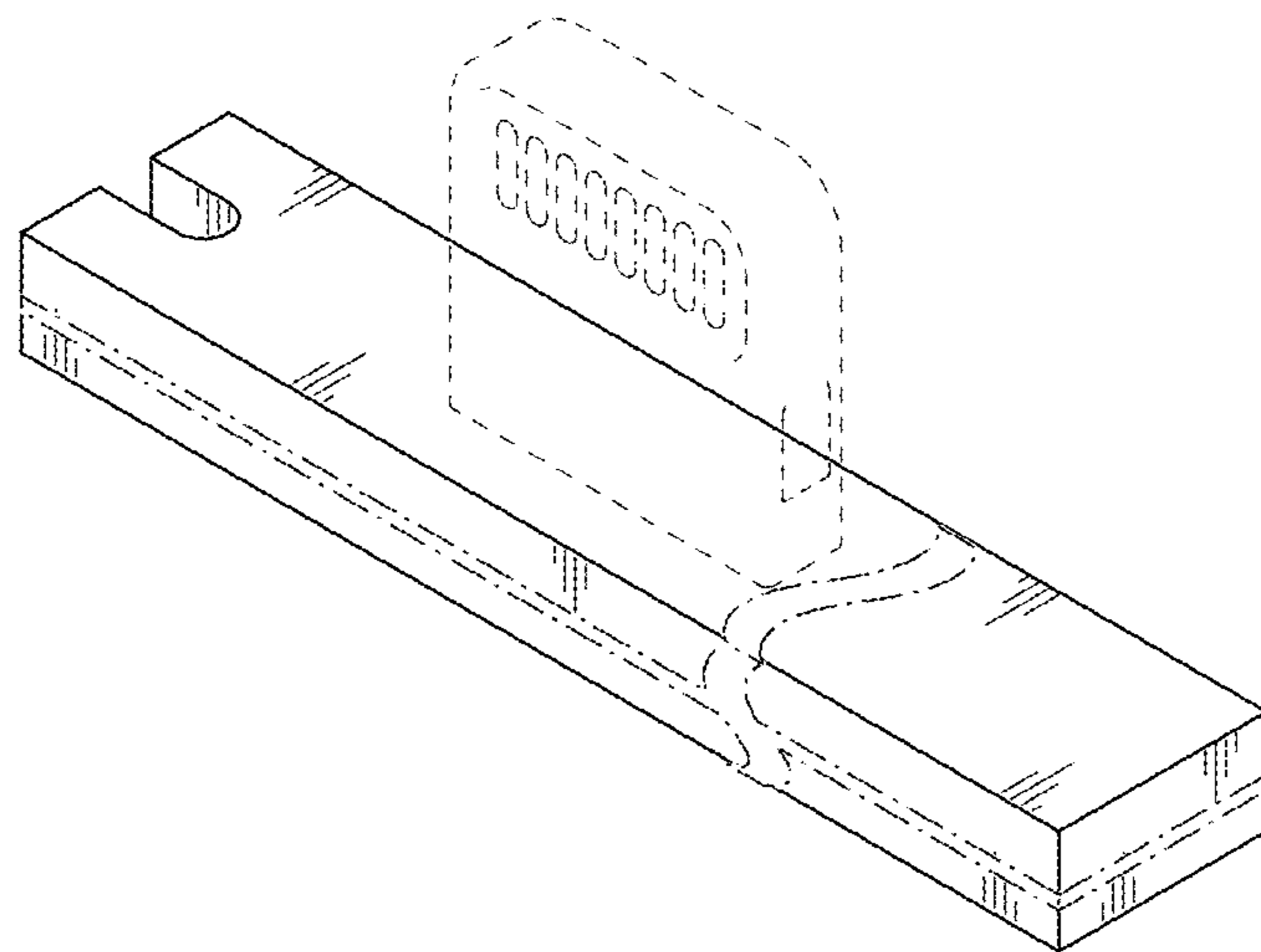


FIG. 8