



US00D776612S

(12) **United States Design Patent**
Chen et al.

(10) **Patent No.:** **US D776,612 S**
(45) **Date of Patent:** **** Jan. 17, 2017**

- (54) **CHARGEABLE BATTERY**
- (71) Applicant: **SZ DJI TECHNOLOGY CO., LTD.**,
Shenzhen, Guangdong (CN)
- (72) Inventors: **Shaojie Chen**, Shenzhen (CN); **Yin Tang**, Shenzhen (CN)
- (73) Assignee: **SZ DJI TECHNOLOGY CO., LTD.**,
Shenzhen (CN)
- (**) Term: **14 Years**
- (21) Appl. No.: **29/513,072**
- (22) Filed: **Dec. 26, 2014**

D699,180 S *	2/2014	Sweere	D13/103
D699,672 S *	2/2014	Kosugi	D13/103
D700,138 S *	2/2014	Walz	D13/103
D701,490 S *	3/2014	Inskeep	D13/110
D702,184 S *	4/2014	Jacobs	D13/110
D704,640 S *	5/2014	Wen	D13/110
D705,162 S *	5/2014	Mueller	D13/110
D705,719 S *	5/2014	Wong	D13/103
D705,721 S *	5/2014	Huang	D13/103
D710,794 S *	8/2014	Busschaert	D13/103
D712,826 S *	9/2014	Marino	D13/103
D712,834 S *	9/2014	Munro	D13/116
D718,237 S *	11/2014	Asakura	D13/110
D741,794 S *	10/2015	Wright	D13/103
D742,307 S *	11/2015	DeKeuster	D13/103
D750,558 S *	3/2016	Yamachi	D13/103
2008/0131767 A1 *	6/2008	Kim	H01M 2/0426 429/163

- (30) **Foreign Application Priority Data**
Jul. 1, 2014 (CN) 2014 3 0216200
- (51) **LOC (10) Cl.** **13-02**
- (52) **U.S. Cl.**
USPC **D13/103**
- (58) **Field of Classification Search**
USPC D13/102-106, 110, 118-119, 184;
429/96-100, 163, 170; D14/432, 356
CPC Y02E 60/12; Y02E 60/50; Y02E 60/122;
Y02E 60/124; H01M 2/02; H01M 2/105;
H01M 2/022; H01M 2/204; H01M
2/0202; H01M 2/0207; H01M
2/0212; H01M 2/1061; H01M
2/1022; H01M 2/1055; H01M 2/1066
See application file for complete search history.

- (56) **References Cited**
U.S. PATENT DOCUMENTS
D323,642 S * 2/1992 Liao D13/103
D682,195 S * 5/2013 Aglassinger D13/103
D685,730 S * 7/2013 Hamm D13/103
D692,380 S * 10/2013 Tirone D13/119
D692,827 S * 11/2013 Chen D13/110

* cited by examiner

Primary Examiner — Rosemary K Tarcza
Assistant Examiner — James Thorn, Sr.
(74) *Attorney, Agent, or Firm* — Sterne, Kessler,
Goldstein & Fox P.L.L.C.

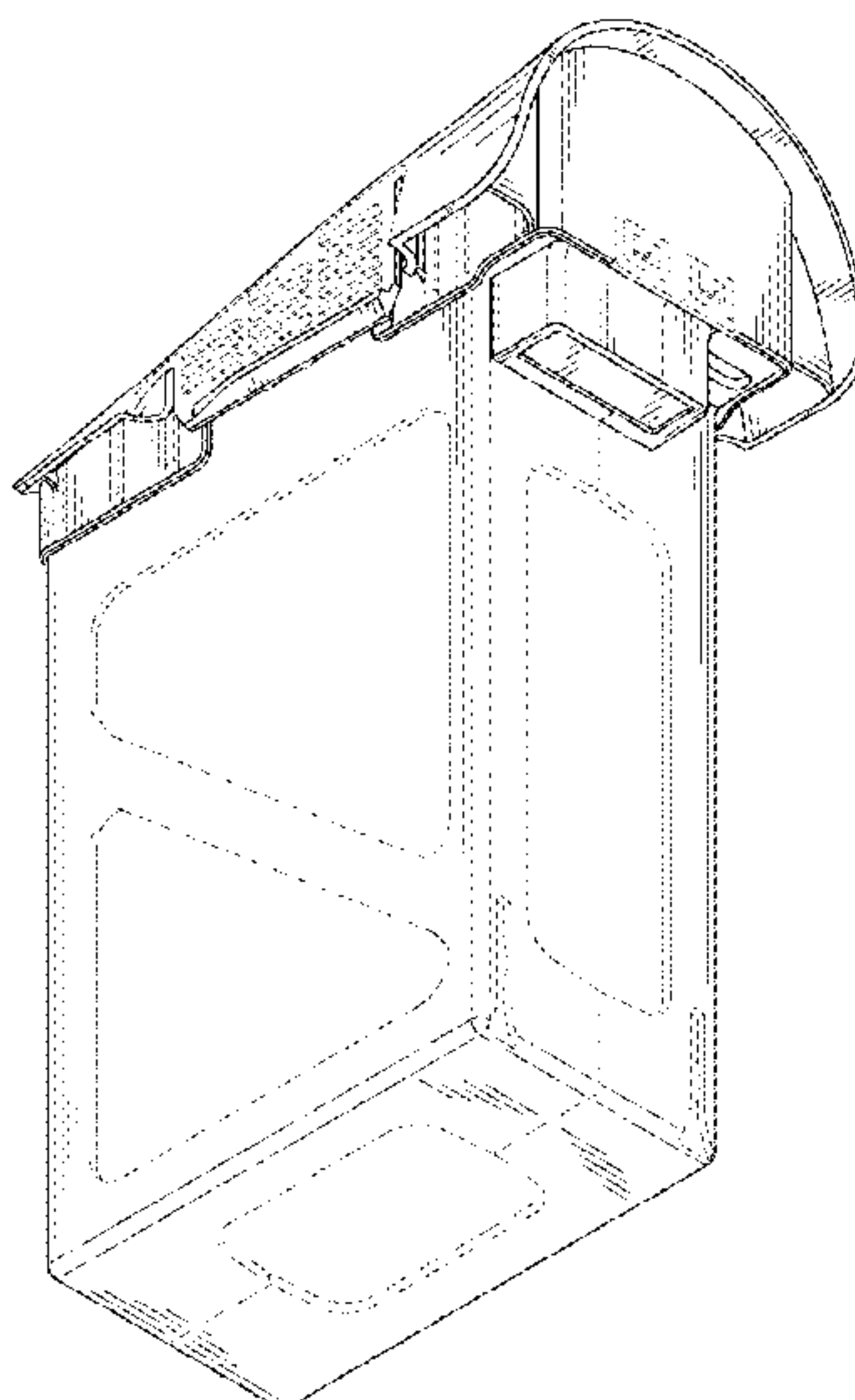
(57) **CLAIM**

The ornamental design for a chargeable battery, as shown and described.

DESCRIPTION

FIG. 1 is a perspective view of a chargeable battery showing our new design;
FIG. 2 is a front elevational view thereof;
FIG. 3 is a rear elevational view thereof;
FIG. 4 is a left side view thereof;
FIG. 5 is a right side view thereof;
FIG. 6 is a top plan view thereof; and,
FIG. 7 is a bottom plan view thereof.
The broken lines are for illustrative purposes only and form no part of the claimed design.

1 Claim, 7 Drawing Sheets



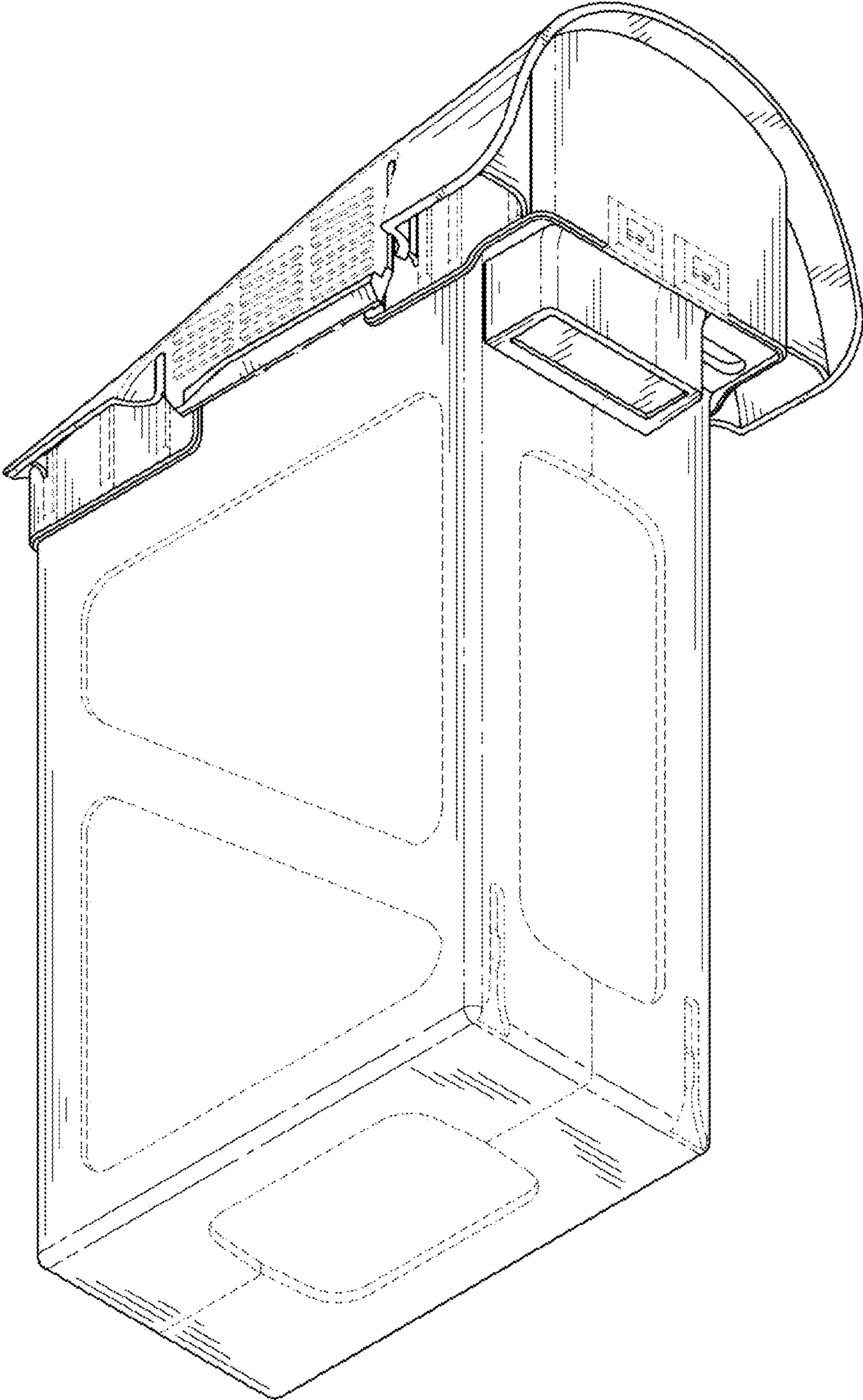


FIG. 1

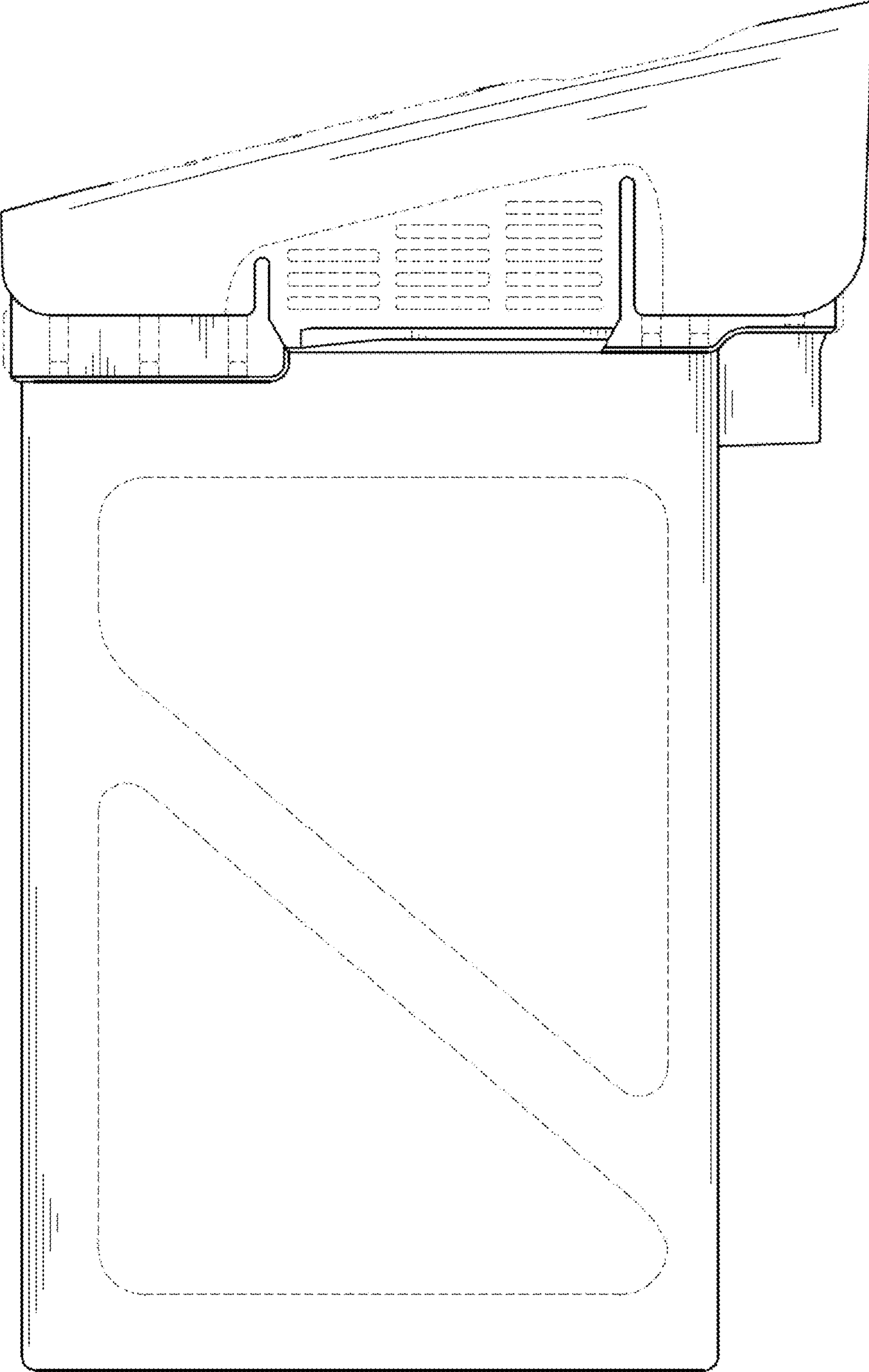


FIG. 2

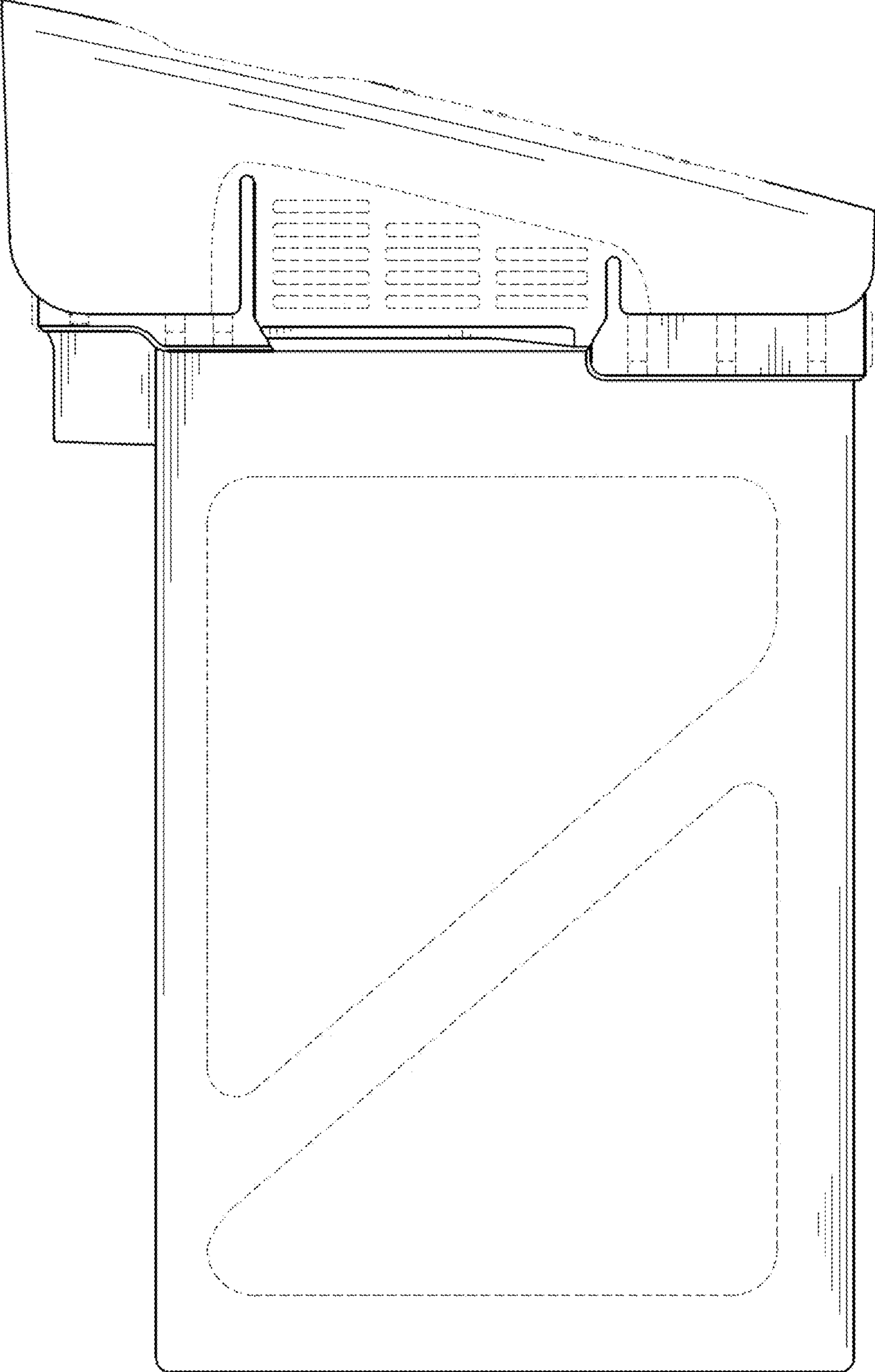


FIG. 3

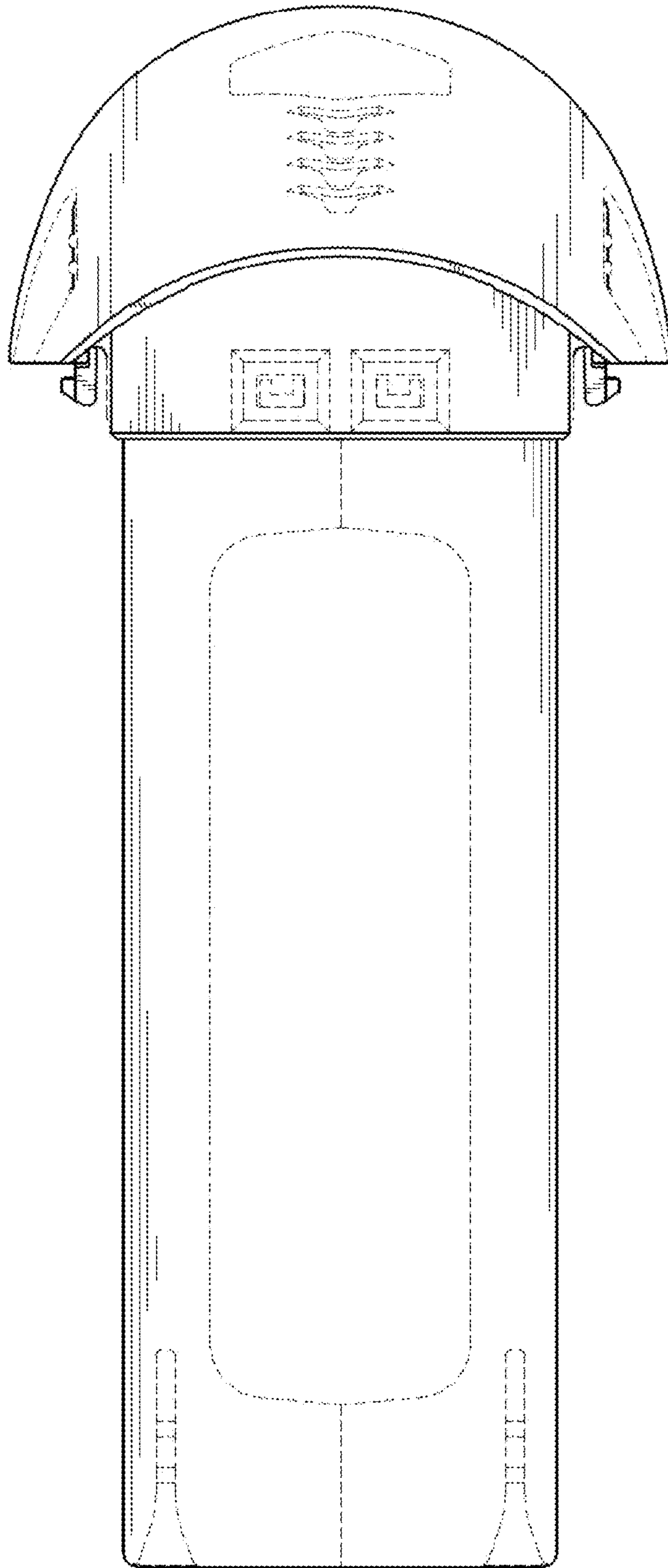


FIG. 4

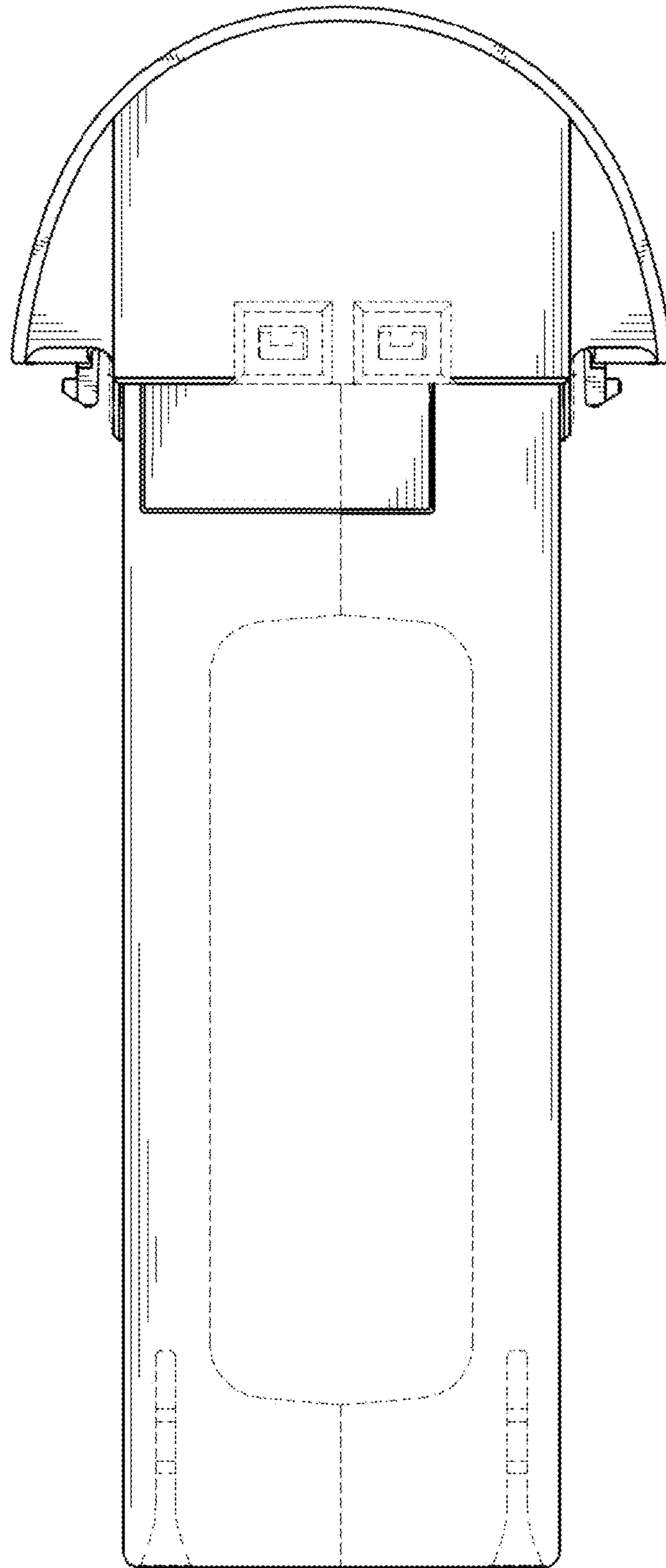


FIG. 5

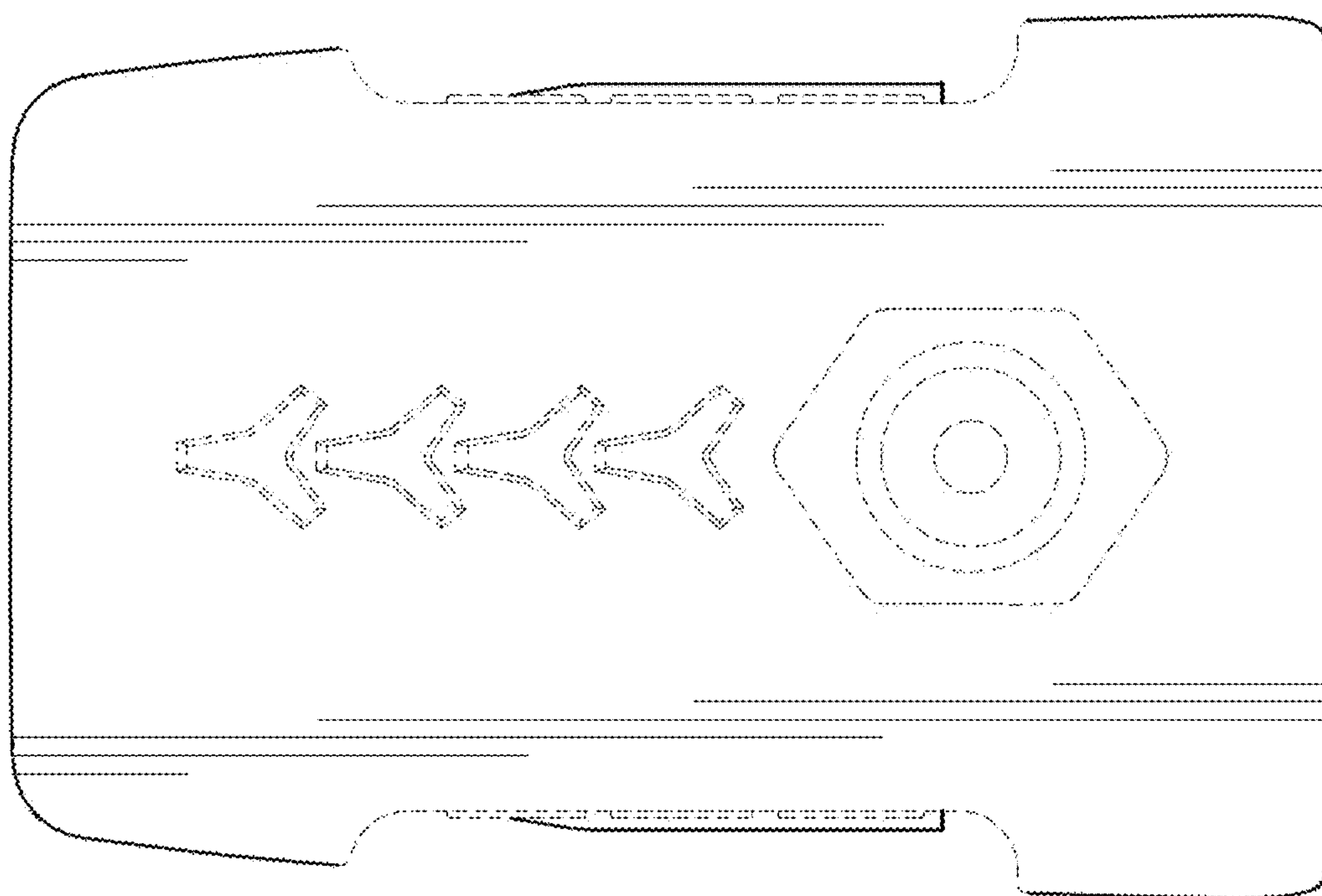


FIG. 6

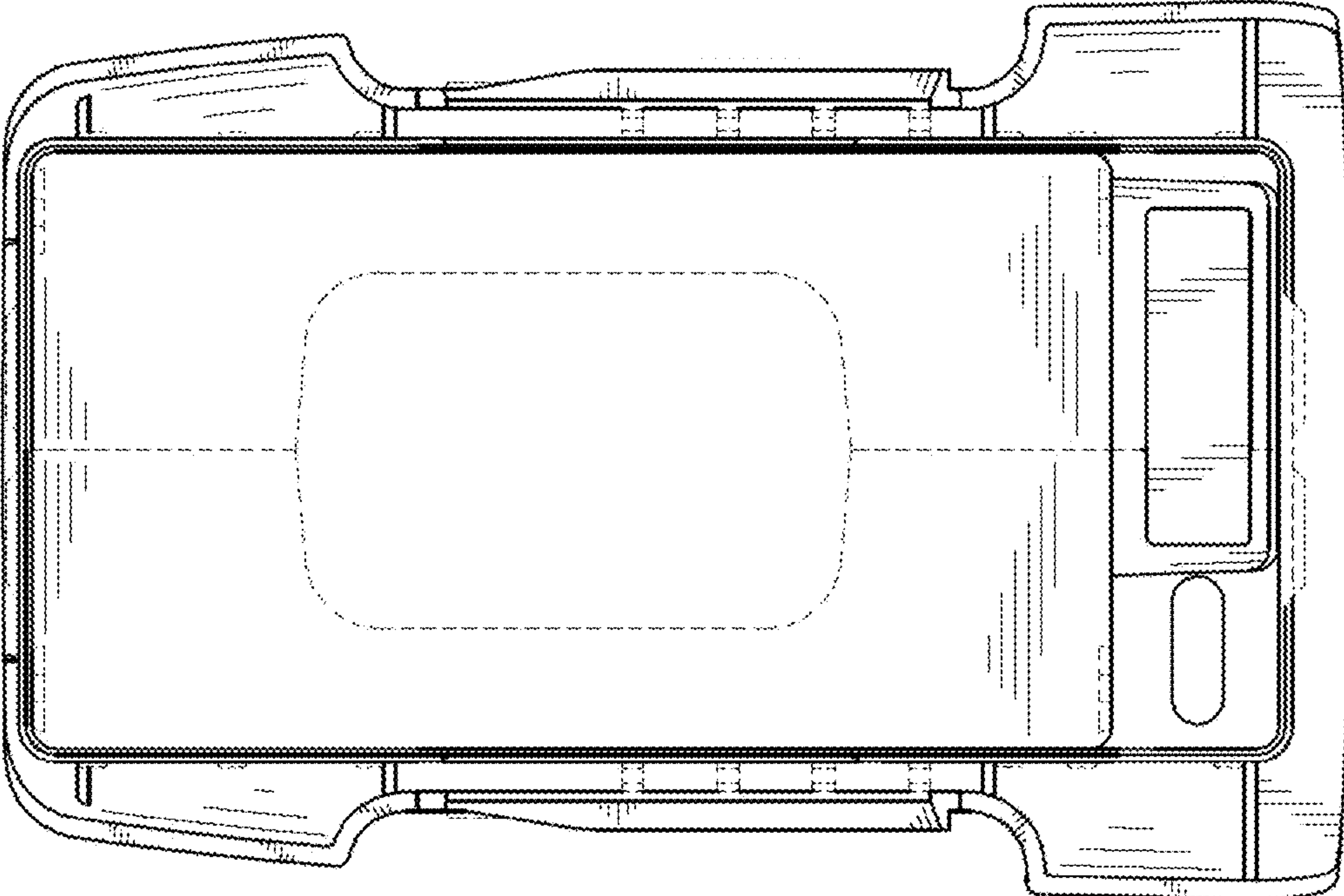


FIG. 7