



US00D776611S

(12) **United States Design Patent**
Thompson

(10) **Patent No.:** **US D776,611 S**
(45) **Date of Patent:** **** Jan. 17, 2017**

(54) **BATTERY**

(71) Applicant: **PowaKaddy International Limited**,
Sittingbourne (GB)

(72) Inventor: **Andrew Thompson**, Sittingbourne
(GB)

(73) Assignee: **PowaKaddy International Limited**,
Sittingbourne (GB)

(**) Term: **14 Years**

(21) Appl. No.: **29/512,920**

(22) Filed: **Dec. 23, 2014**

(30) **Foreign Application Priority Data**

Jun. 24, 2014 (EM) 002489674-0001

(51) **LOC (10) Cl.** **13-02**

(52) **U.S. Cl.**
USPC **D13/103**

(58) **Field of Classification Search**
USPC D13/103, 107, 108, 110, 118, 119, 184,
D13/199; D14/253, 346, 356, 432, 440,
D14/496; 29/623.1, 623.5; 315/291;
156/221; 235/380, 479, 486, 492;
429/100, 153, 158, 163, 176, 180, 185;
D34/15; D21/789, 796

CPC H01M 2/1022; H01M 2220/30
See application file for complete search history.

(56) **References Cited**

U.S. PATENT DOCUMENTS

D380,202 S * 6/1997 Matthes D14/346
D559,859 S * 1/2008 Kim D14/129
D563,429 S * 3/2008 Langen D14/496
D574,849 S * 8/2008 Chen D14/496
D614,124 S * 4/2010 Mistyurik D13/103
D630,632 S * 1/2011 Puls D14/240
D678,184 S * 3/2013 Banko D13/103

D711,311 S * 8/2014 Corbin D13/103
D712,827 S * 9/2014 Maeda D13/108
D723,458 S * 3/2015 Martinez D13/108
D725,031 S * 3/2015 Tinius D13/103
D738,821 S * 9/2015 Banko D13/103

FOREIGN PATENT DOCUMENTS

EM 002489674-0001 * 6/2014

OTHER PUBLICATIONS

“PowaKaddy Sport Electric Push Cart—Lithium Ion Battery”
Accessed: Jan. 7, 2016. In The Hole. <http://www.intheholegolf.com/PK097LI/PowaKaddy-Sport-Electric-Push-Cart---Lithium-Ion-Battery.html>.*

Kennedy, Jamie. “Powakaddy Launch The FW3, FW5 and FW7 Trolleys” Posted Apr. 10, 2014. <http://www.golfalot.com/equipment-news/powakaddy-fw3-trolley-2799.aspx>.*

“Powakaddy Freeway FW3 2015.” Accessed: Jan. 7, 2016. Electric Golf Trolley Spares. <http://www.electricgolftrolleyspares.com/powakaddy-freeway-fw3-2015-1086-p.asp>.*

* cited by examiner

Primary Examiner — Manpreet Matharu

Assistant Examiner — Suzanne Tisdell

(74) *Attorney, Agent, or Firm* — Haugen Law Firm PLLP

(57) **CLAIM**

The ornamental design for a battery, as shown and described.

DESCRIPTION

FIG. 1 is a left side elevational view of the battery;
FIG. 2 is a front elevational view of the battery;
FIG. 3 is a bottom plan view of the battery;
FIG. 4 is a top plan view of the battery;
FIG. 5 is a top perspective view of the battery; and,
FIG. 6 is a rear perspective view of the battery.
The broken lines in the drawings depict elements of the battery that form no part of the claimed design.

1 Claim, 6 Drawing Sheets



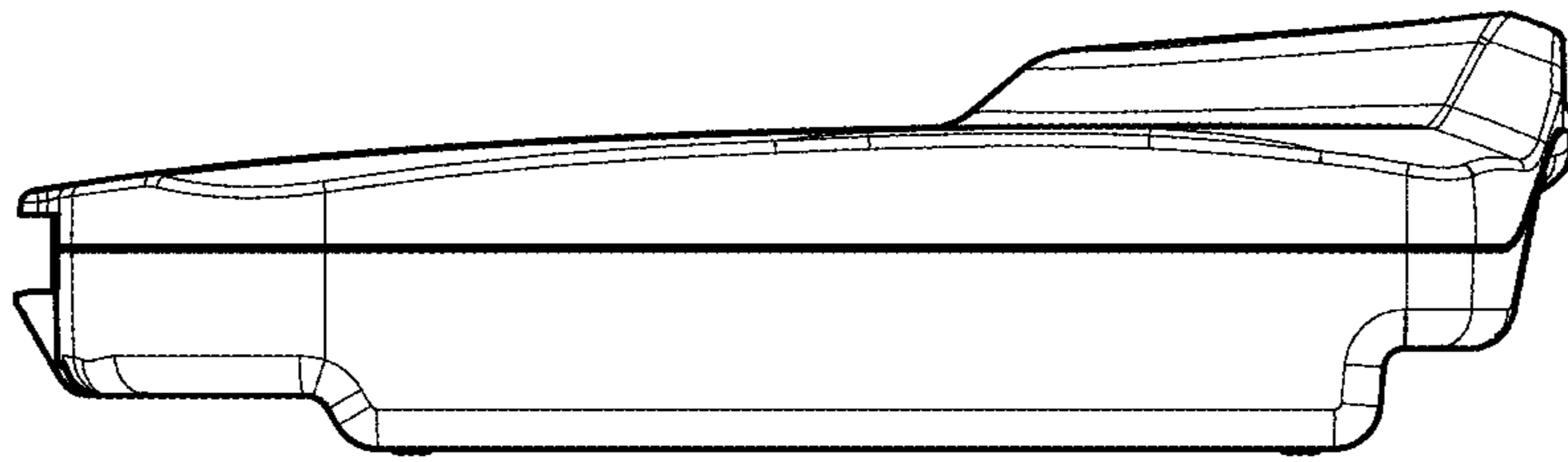


Fig. 1

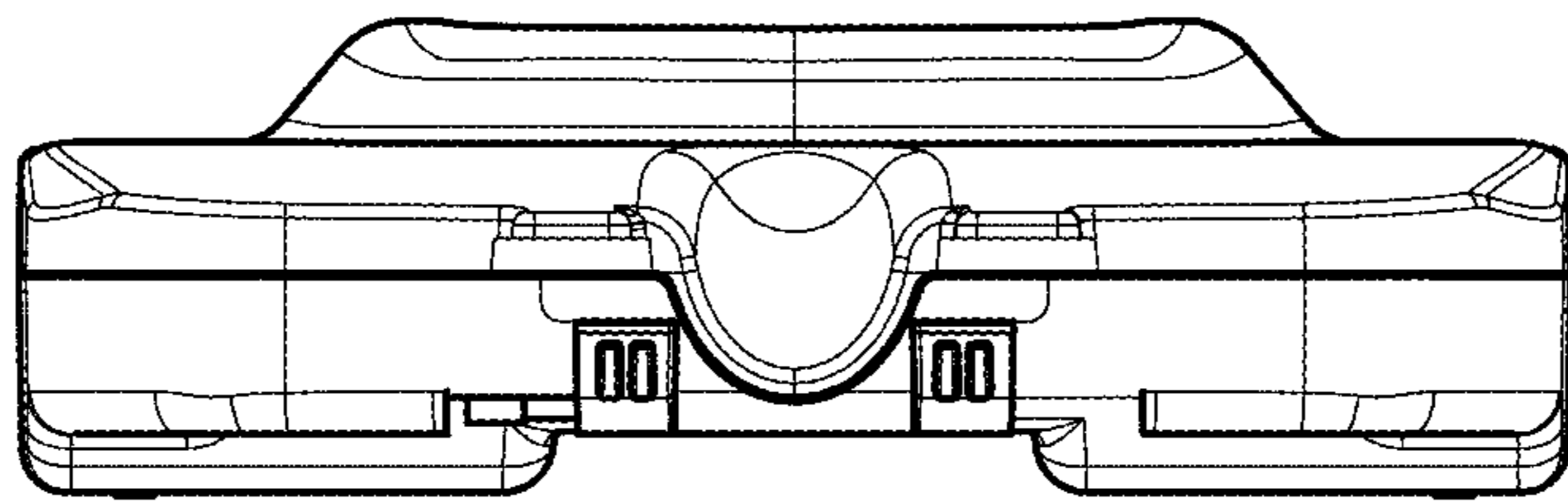


Fig. 2

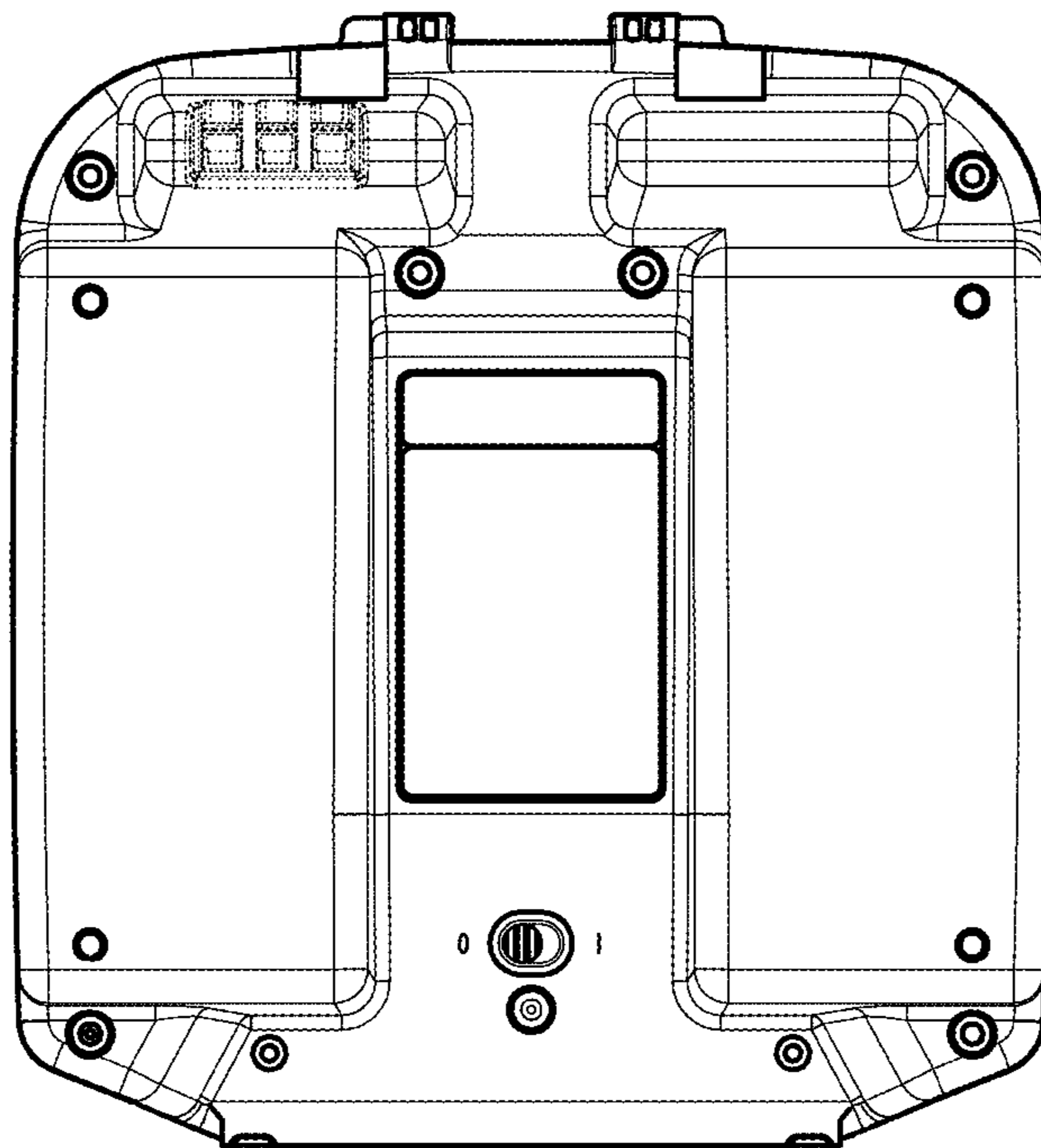


Fig. 3

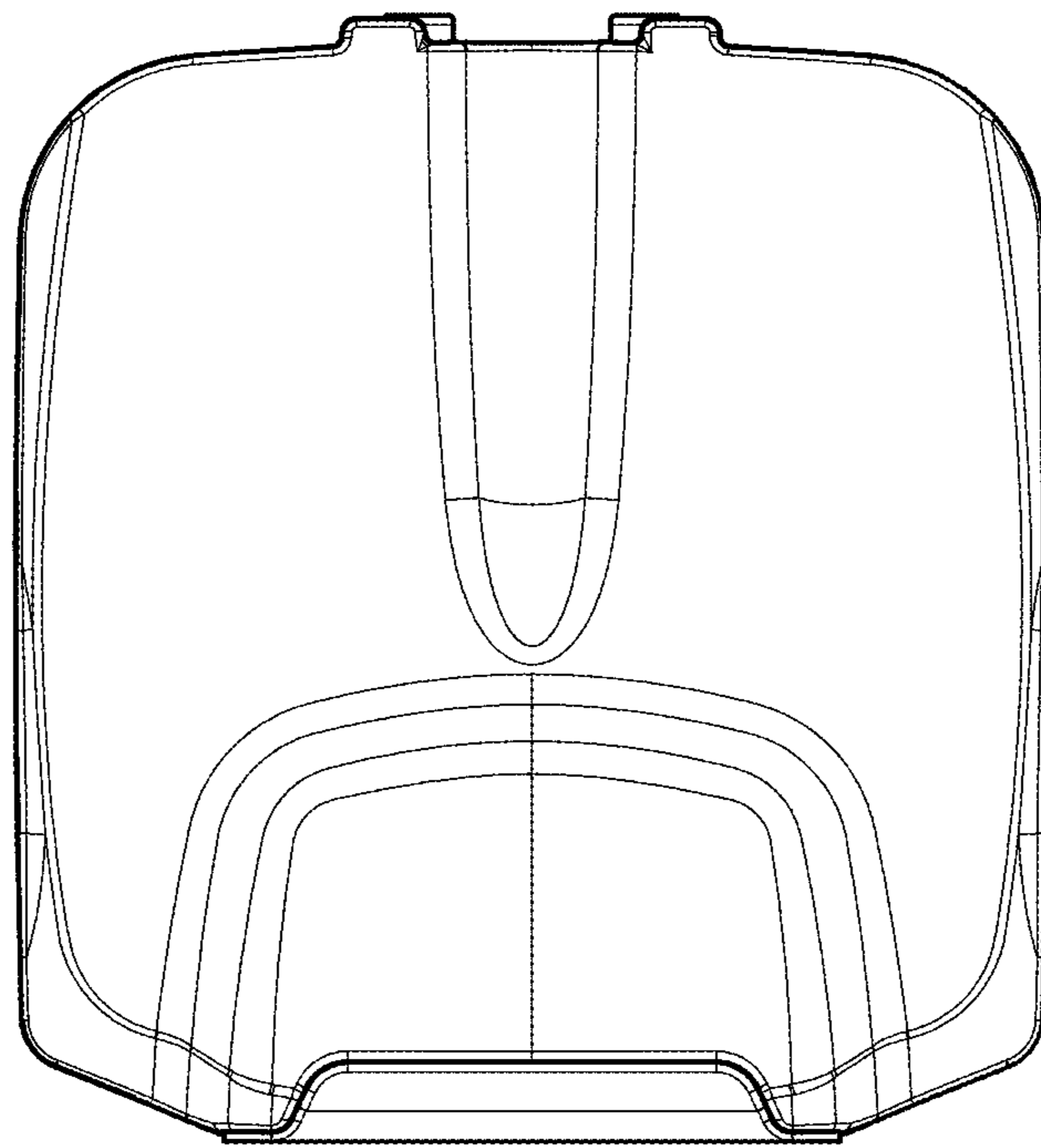


Fig. 4

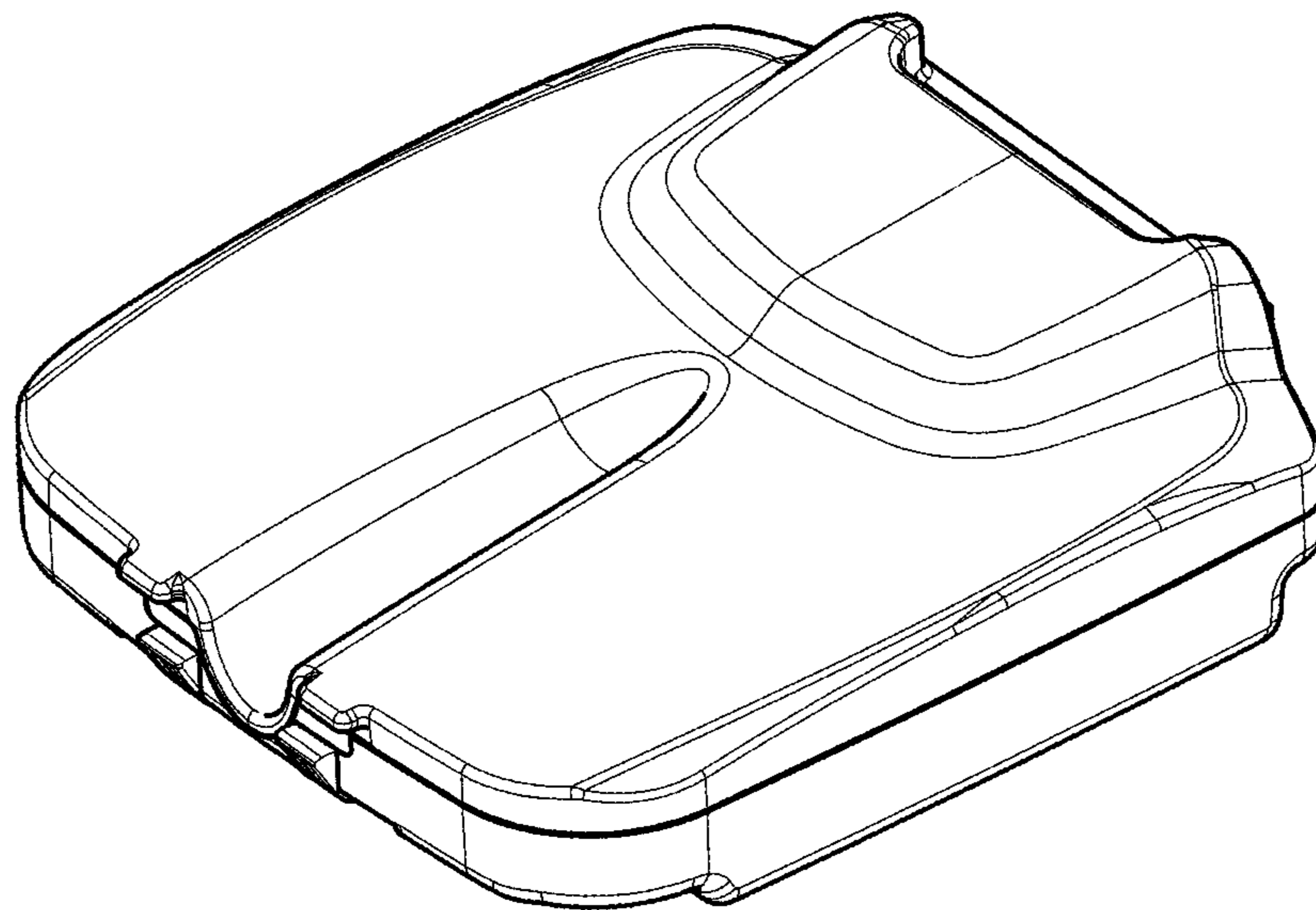


Fig. 5

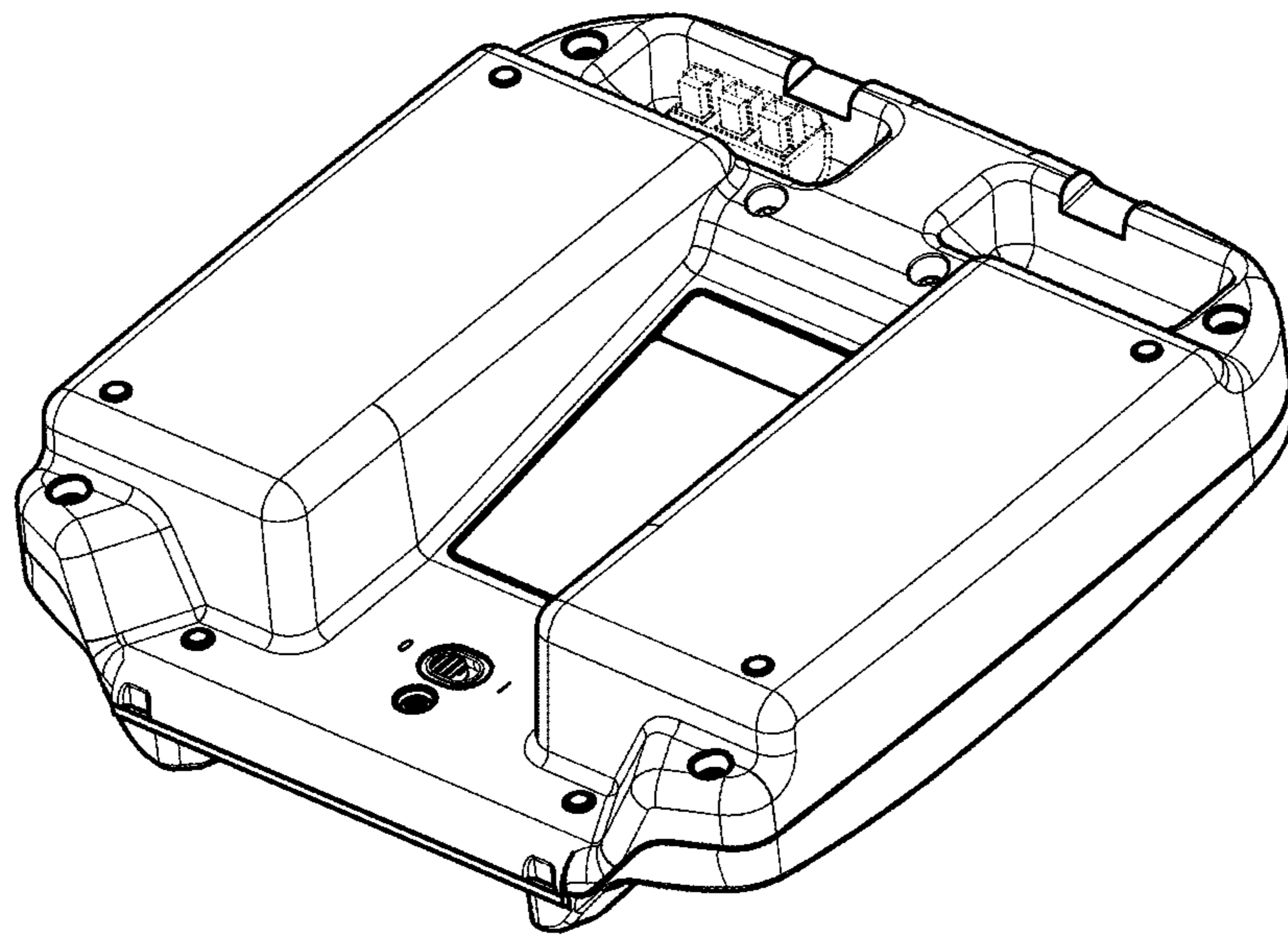


Fig. 6