



US00D776610S

(12) **United States Design Patent** (10) **Patent No.:** **US D776,610 S**
Nommensen et al. (45) **Date of Patent:** **** Jan. 17, 2017**

(54) **BATTERY**

H01M 2250/30; H01M 2250/40; H02J 7/00; H02J 7/0003; H02J 7/0011; H02J 7/0013;

(71) Applicant: **Briggs & Stratton Corporation**,
Wauwatosa, WI (US)

(Continued)

(72) Inventors: **James Nommensen**, Oak Creek, WI (US); **Paul D. Kluck**, Belguim, WI (US); **Matthew Markowski**, Wauwatosa, WI (US); **Robert Koenen**, Pewaukee, WI (US); **Dale S. DiIulio**, Saukville, WI (US); **Bart Mayer**, Fond du Lac, WI (US); **Brian D. Neeley**, West Bend, WI (US)

(56)

References Cited

U.S. PATENT DOCUMENTS

D258,818 S 4/1981 Johnson et al.
D265,899 S 8/1982 House, II
D265,985 S 8/1982 House, II

(Continued)

Primary Examiner — Rosemary K Tarcza

Assistant Examiner — Sanjeev Paul

(73) Assignee: **Briggs & Stratton Corporation**,
Wauwatosa, WI (US)

(74) *Attorney, Agent, or Firm* — Foley & Lardner LLP

(57)

CLAIM

We claim the ornamental design for a battery, as shown and described.

(**) Term: **14 Years**

(21) Appl. No.: **29/488,711**

DESCRIPTION

(22) Filed: **Apr. 22, 2014**

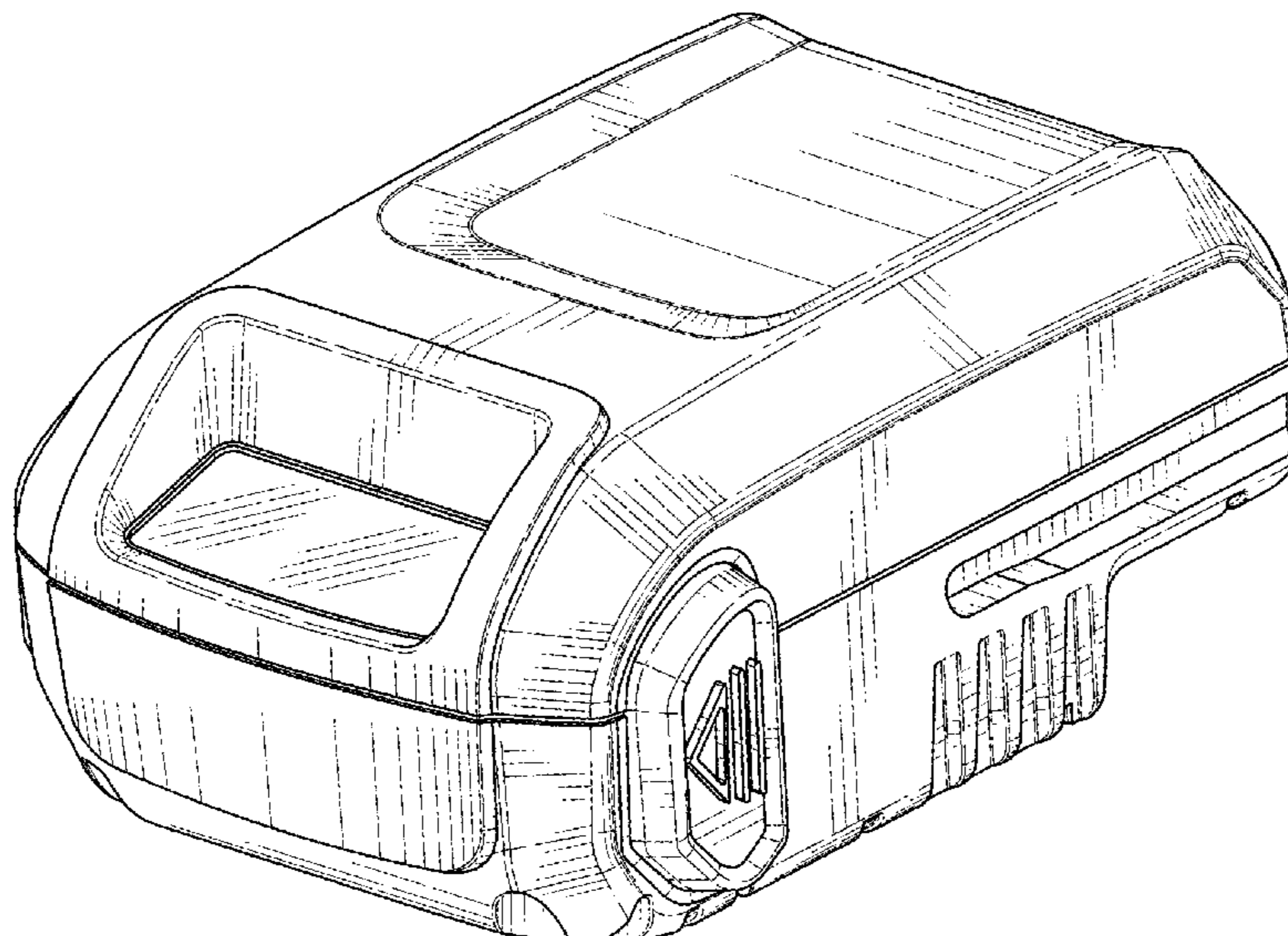
(51) **LOC (10) Cl.** **13-02**

(52) **U.S. Cl.**
USPC **D13/103**

(58) **Field of Classification Search**
USPC D13/102–110, 118–119, 184, 199;
D14/356, 432, 251, 253, 434;
320/107–115, 135, 138, 140, 103–105
CPC Y02E 60/12; Y02E 60/122; Y02E 60/124;
Y02E 60/50; H01M 2/02; H01M 2/022;
H01M 2/0202; H01M 2/0207; H01M
2/0212; H01M 2/1061; H01M
2/1022; H01M 2/1055; H01M
2/1066; H01M 2/105; H01M 2/204;
H01M 2/20; H01M 2/202; H01M 2/206;
H01M 10/4257; H01M 10/0436; H01M
10/48; H01M 10/44; H01M 10/46; H01M
10/465; H01M 10/482; H01M 2200/30;

FIG. 1 is a front perspective view from above of the battery;
FIG. 2 is a front perspective view from below thereof;
FIG. 3 is a rear perspective view from above thereof;
FIG. 4 is a rear perspective view from below thereof;
FIG. 5 is a detail view of a portion of the battery in FIG. 4;
FIG. 6 is a front view of the battery;
FIG. 7 is a rear view thereof;
FIG. 8 is a detail view of a portion of the battery in FIG. 1;
FIG. 9 is a right side view thereof;
FIG. 10 is a left side view thereof;
FIG. 11 is a detail view of a portion of the battery in FIG. 10;
FIG. 12 is a top view of the claimed design of the battery;
and,
FIG. 13 is a bottom view thereof.
The broken lines shown are for the purpose of illustrating environmental structure, and form no part of the claimed design.

1 Claim, 13 Drawing Sheets



(58) **Field of Classification Search**
 CPC H02J 7/0054; H02J 7/0055; H02J 7/0057;
 H02J 2007/0062
 See application file for complete search history.

(56) **References Cited**

U.S. PATENT DOCUMENTS

D299,640 S 1/1989 Price
 D300,920 S 5/1989 Gierke
 D302,971 S 8/1989 Gierke
 D303,205 S 9/1989 Gierke et al.
 D304,543 S 11/1989 Somers et al.
 D316,216 S 4/1991 Gierke et al.
 D353,130 S 12/1994 Aldrich et al.
 D376,579 S 12/1996 Bunyea et al.
 D391,943 S 3/1998 Han
 D400,499 S 11/1998 Bunyea
 D401,901 S 12/1998 Bunyea et al.
 D409,976 S 5/1999 Buck
 D415,100 S 10/1999 Buck
 D418,811 S 1/2000 Bunyea et al.
 D432,077 S 10/2000 Zurwelle et al.
 D433,994 S 11/2000 Jobs et al.
 D437,580 S 2/2001 Marshall et al.
 D438,170 S 2/2001 Hofbauer
 D439,561 S 3/2001 Lee, IV et al.
 D456,002 S * 4/2002 Kato D13/103
 D456,807 S 5/2002 Floyd
 D460,412 S 7/2002 Nawrozki
 D460,413 S 7/2002 Zurwelle et al.
 D461,447 S 8/2002 Nawrozki
 D463,359 S 9/2002 Nawrozki
 D463,774 S 10/2002 Buck
 D466,863 S 12/2002 Zurwelle et al.
 D475,679 S * 6/2003 Cooper D13/103
 D477,811 S * 7/2003 Niwa D13/103
 D480,376 S 10/2003 Ma
 D481,672 S * 11/2003 Niwa D13/103
 D484,850 S 1/2004 Johnson
 D487,059 S 2/2004 Glasgow et al.
 D487,426 S 3/2004 Johnson
 D488,438 S 4/2004 Zick et al.
 D491,130 S 6/2004 Welbes
 D496,038 S 9/2004 Floyd
 D501,823 S 2/2005 Johnson et al.
 D504,395 S 4/2005 Zeiler et al.
 D506,725 S 6/2005 Watson
 D507,235 S 7/2005 Rozwadowski et al.
 D509,189 S 9/2005 Buck
 D511,744 S * 11/2005 Hsu D13/103
 D512,373 S * 12/2005 Tsai D13/103
 D513,730 S 1/2006 Johnson
 D515,027 S 2/2006 Groh et al.
 D516,504 S * 3/2006 Okuda D13/103
 D519,918 S 5/2006 Wilson et al.
 D519,920 S 5/2006 Zick et al.
 D522,964 S 6/2006 Watson
 D523,807 S * 6/2006 Murayama D13/103
 D524,243 S 7/2006 Lee
 D524,728 S 7/2006 Watson
 D526,613 S 8/2006 Zeiler et al.
 D529,439 S 10/2006 Glasgow et al.
 D534,122 S 12/2006 Buck
 D535,250 S 1/2007 Watson
 D535,253 S 1/2007 Buck
 D537,409 S 2/2007 Suzuki
 D538,613 S 3/2007 Murray
 D539,221 S 3/2007 Johnson et al.
 D545,759 S * 7/2007 Ino D13/103
 D545,760 S 7/2007 Concari et al.
 7,238,443 B2 * 7/2007 Sakakibara H01M 2/0202
 429/120
 D549,169 S 8/2007 Watson
 D550,152 S * 9/2007 Okuda D13/103
 D550,614 S 9/2007 Fee et al.
 D555,084 S 11/2007 Sharma et al.

D555,086 S * 11/2007 Zhang D13/103
 D556,677 S 12/2007 Watson
 D558,670 S 1/2008 Ritterling et al.
 D559,175 S 1/2008 Houghton et al.
 D562,226 S 2/2008 Uehlein-Proctor et al.
 D562,227 S * 2/2008 Yamada D13/103
 D562,230 S 2/2008 Houghton
 D564,444 S 3/2008 Johnson et al.
 D581,927 S 12/2008 Sumii
 D588,535 S 3/2009 Krieger et al.
 D588,985 S 3/2009 O'Hern
 D589,439 S * 3/2009 Van Wambeke D13/103
 D589,440 S * 3/2009 Van Wambeke D13/103
 D589,441 S * 3/2009 Van Wambeke D13/103
 D590,391 S 4/2009 Sumii
 D594,405 S 6/2009 Murray et al.
 D597,931 S * 8/2009 Aglassinger D13/103
 D597,932 S * 8/2009 Aglassinger D13/103
 D597,933 S * 8/2009 Aglassinger D13/103
 D597,934 S * 8/2009 Aglassinger D13/103
 D598,018 S 8/2009 Sumii
 D600,694 S 9/2009 Sumii
 D604,695 S * 11/2009 Aglassinger D13/103
 D605,111 S 12/2009 Schoch
 D606,492 S 12/2009 Steinfels
 D606,935 S * 12/2009 Murayama D13/103
 D609,636 S 2/2010 Jensen
 D610,082 S 2/2010 Sweeney
 D610,085 S 2/2010 Sweeney
 D610,537 S * 2/2010 Sweeney D13/103
 D615,557 S 5/2010 Mayer et al.
 D619,620 S 7/2010 Mayer et al.
 D620,772 S 8/2010 Crawley
 D633,036 S * 2/2011 Murray D13/103
 D633,037 S 2/2011 Tschopp
 D633,442 S 3/2011 Charleux
 D640,196 S * 6/2011 Shuang D13/103
 D640,197 S * 6/2011 Park D13/103
 D640,628 S * 6/2011 Lopano D13/103
 D640,975 S * 7/2011 Okuda D13/103
 D642,119 S 7/2011 Baetica et al.
 D643,809 S * 8/2011 Okuda D13/103
 D645,818 S 9/2011 Guccione et al.
 D652,793 S 1/2012 Tschopp
 D656,096 S 3/2012 Sasada et al.
 8,138,942 B2 3/2012 Otsuka et al.
 D657,307 S * 4/2012 Zhao D13/103
 D658,578 S * 5/2012 Davis D13/103
 D659,093 S 5/2012 Schmid et al.
 D661,930 S 6/2012 Gebski
 D676,299 S 2/2013 Baron et al.
 D677,549 S 3/2013 Baron et al.
 D679,651 S * 4/2013 Stratford D13/103
 D680,064 S 4/2013 Tirone et al.
 D682,192 S * 5/2013 Corbin D13/103
 D682,194 S * 5/2013 Jiang D13/103
 D684,528 S * 6/2013 Murray D13/103
 D685,730 S * 7/2013 Hamm D13/103
 D687,380 S 8/2013 Tirone et al.
 D692,380 S 10/2013 Tirone
 D694,182 S 11/2013 Lee et al.
 D696,190 S 12/2013 Brandtman et al.
 D697,475 S 1/2014 Regole
 D699,670 S * 2/2014 Cooper D13/103
 D706,212 S 6/2014 Zwierstra et al.
 8,741,474 B2 * 6/2014 Melnyk H01M 2/1022
 429/163
 D710,794 S * 8/2014 Busschaert D13/103
 D712,826 S * 9/2014 Marino D13/103
 D718,233 S 11/2014 Aumiller et al.
 D718,234 S 11/2014 Rautiainen
 D718,236 S 11/2014 Murray
 D718,705 S * 12/2014 Naksen D13/103
 D718,712 S 12/2014 Aumiller et al.
 D720,289 S 12/2014 Chiang et al.
 D725,034 S 3/2015 Chen
 D731,409 S 6/2015 Erlich et al.
 D731,411 S 6/2015 Nakaishi
 D735,131 S 7/2015 Akana et al.

(56)

References Cited

U.S. PATENT DOCUMENTS

D738,303	S	9/2015	Symons	
9,127,658	B2	9/2015	Koenen et al.	
D740,750	S	10/2015	Mayden et al.	
D741,256	S	10/2015	Murphy-Reinhertz et al.	
D747,267	S	1/2016	Aumiller et al.	
D749,504	S	2/2016	Jeong et al.	
D757,014	S	5/2016	Hahn et al.	
D761,412	S	7/2016	Strehle et al.	
D762,571	S	8/2016	Lee et al.	
D763,186	S *	8/2016	Breitenbach D13/103
2003/0039880	A1 *	2/2003	Turner H01M 2/1022 429/97
2004/0257038	A1 *	12/2004	Johnson H01M 2/1055 320/116
2004/0263119	A1 *	12/2004	Meyer H02J 7/0004 320/116
2009/0226816	A1	9/2009	Yoshida et al.	
2013/0330576	A1 *	12/2013	Kolden H01M 10/425 429/7
2014/0106195	A1 *	4/2014	Milbourne H01M 2/1022 429/99
2016/0079631	A1	3/2016	Flitsch et al.	
2016/0095487	A1	4/2016	Koura et al.	
2016/0115933	A1	4/2016	Koenen et al.	
2016/0156206	A1 *	6/2016	Yamaji H02J 7/0021 320/112
2016/0226290	A1 *	8/2016	Johnson H02J 7/0081 320/112

* cited by examiner

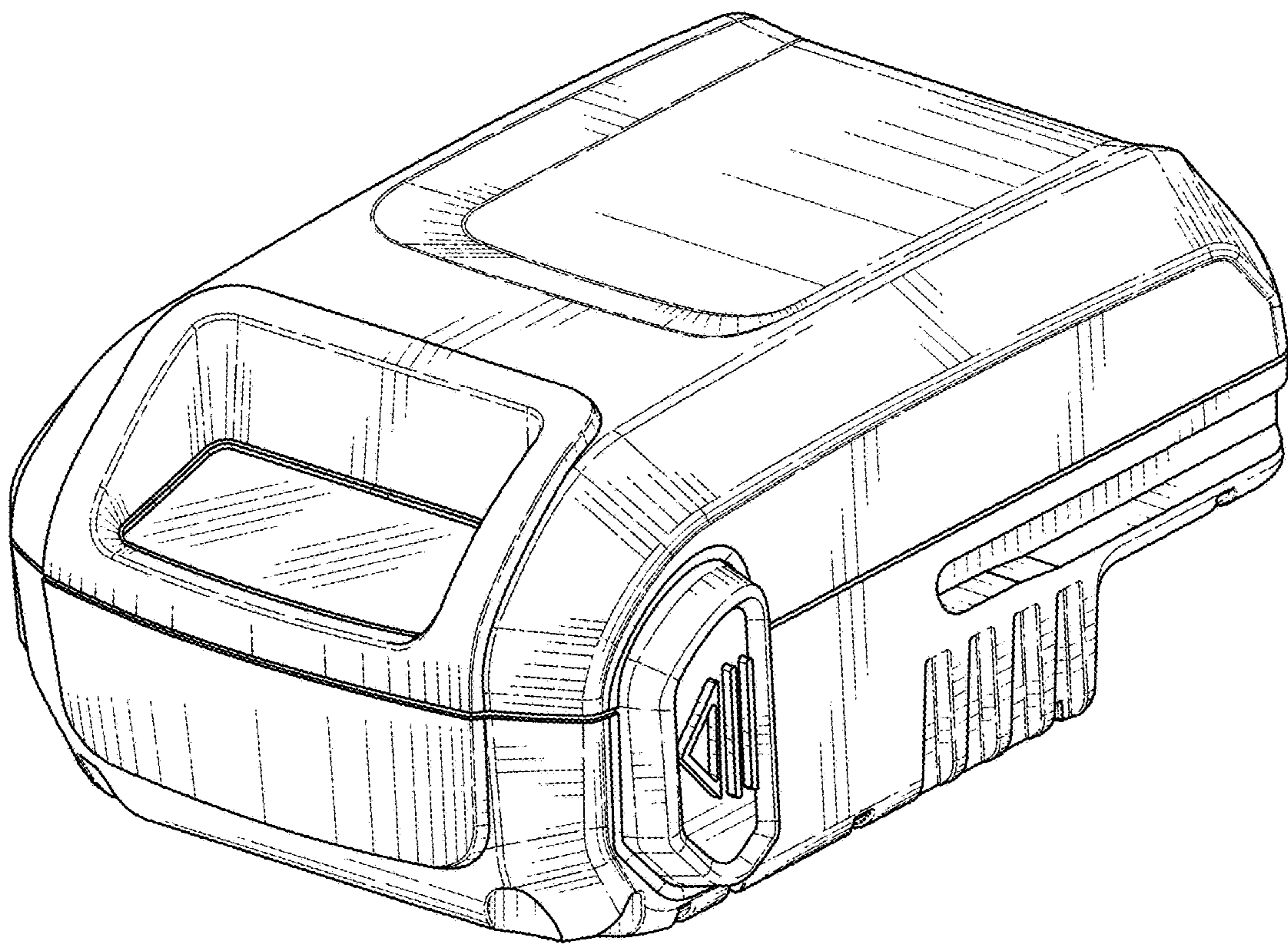


FIG. 1

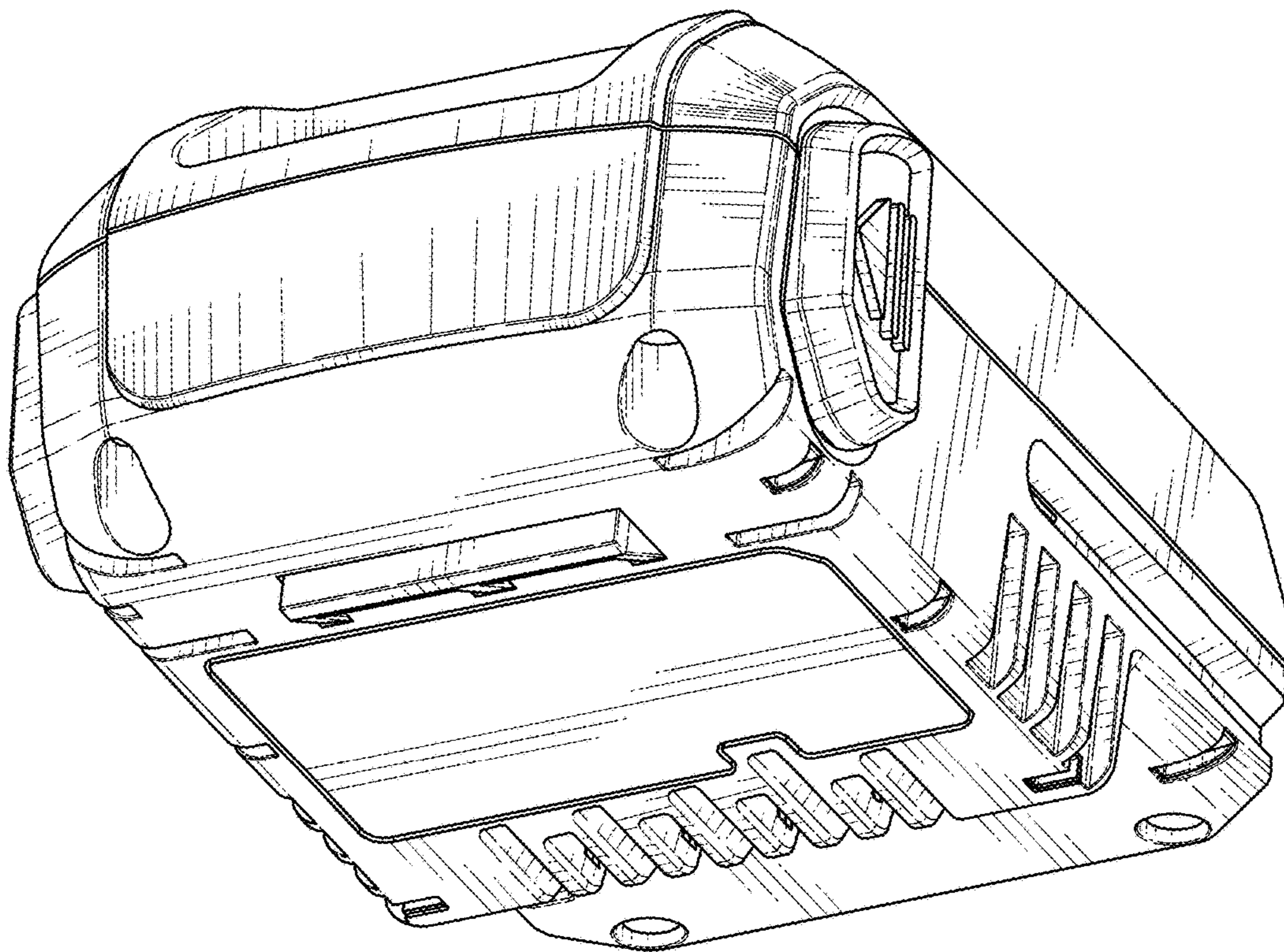


FIG. 2

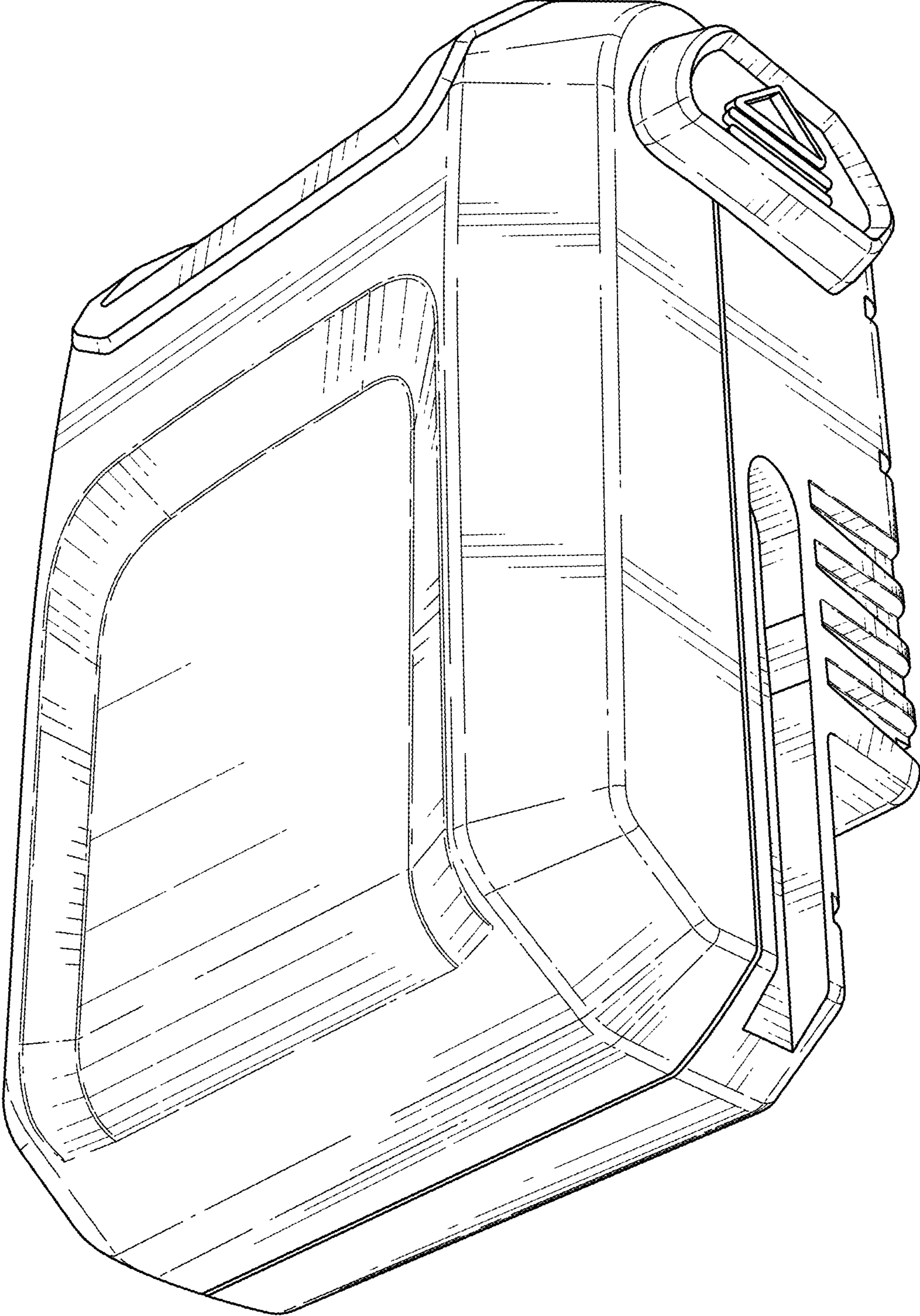


FIG. 3

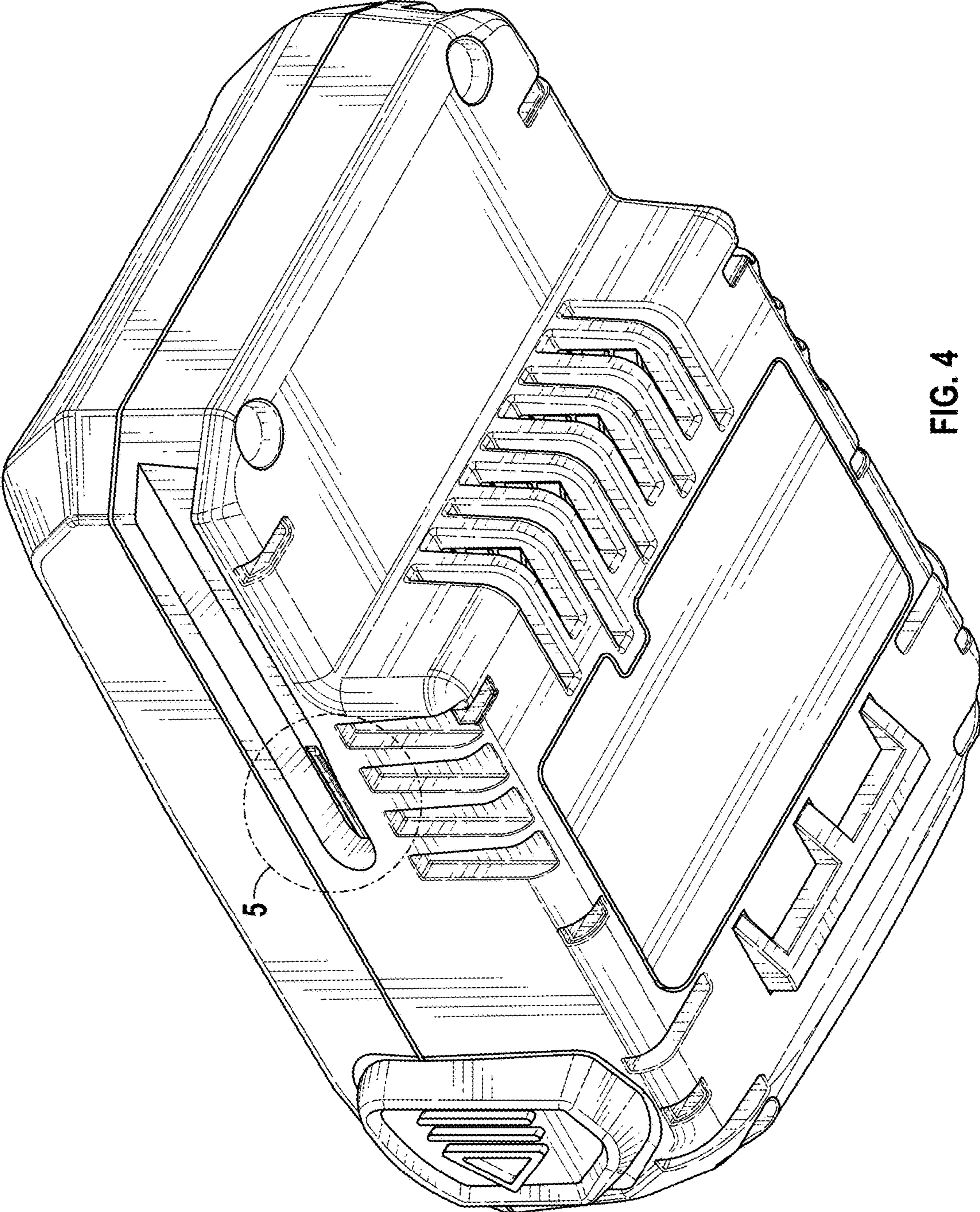


FIG. 4

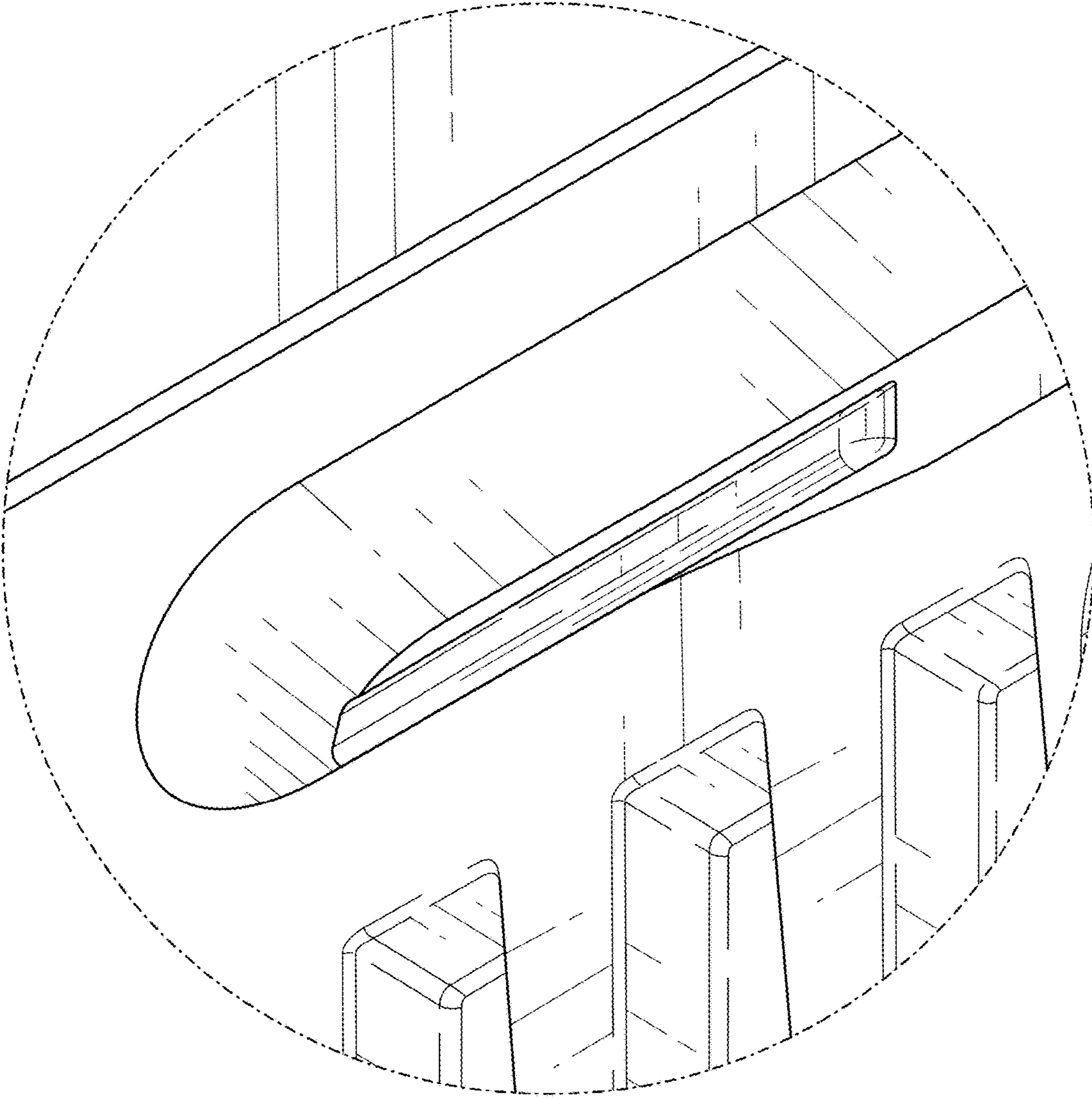


FIG. 5

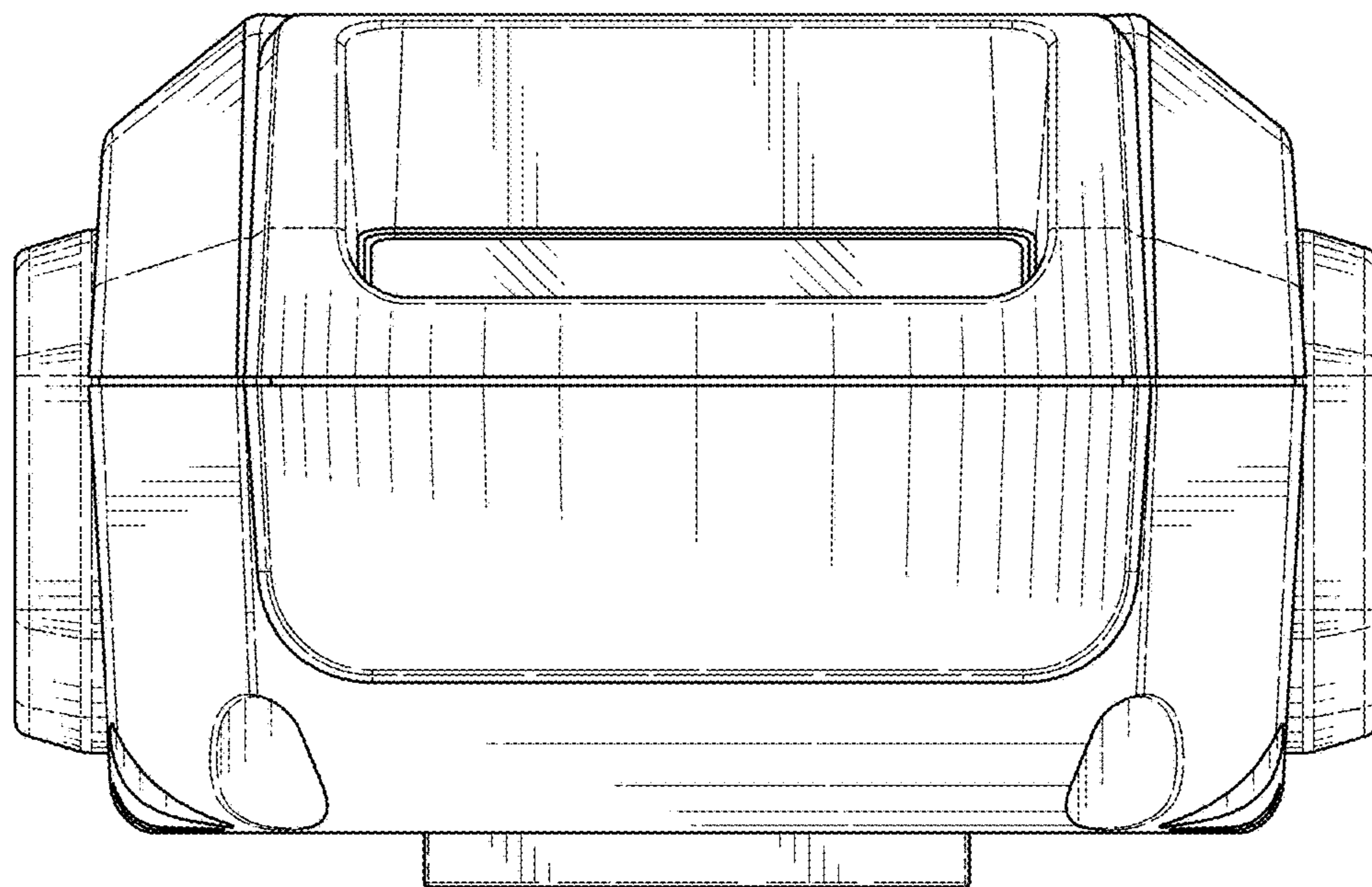


FIG. 6

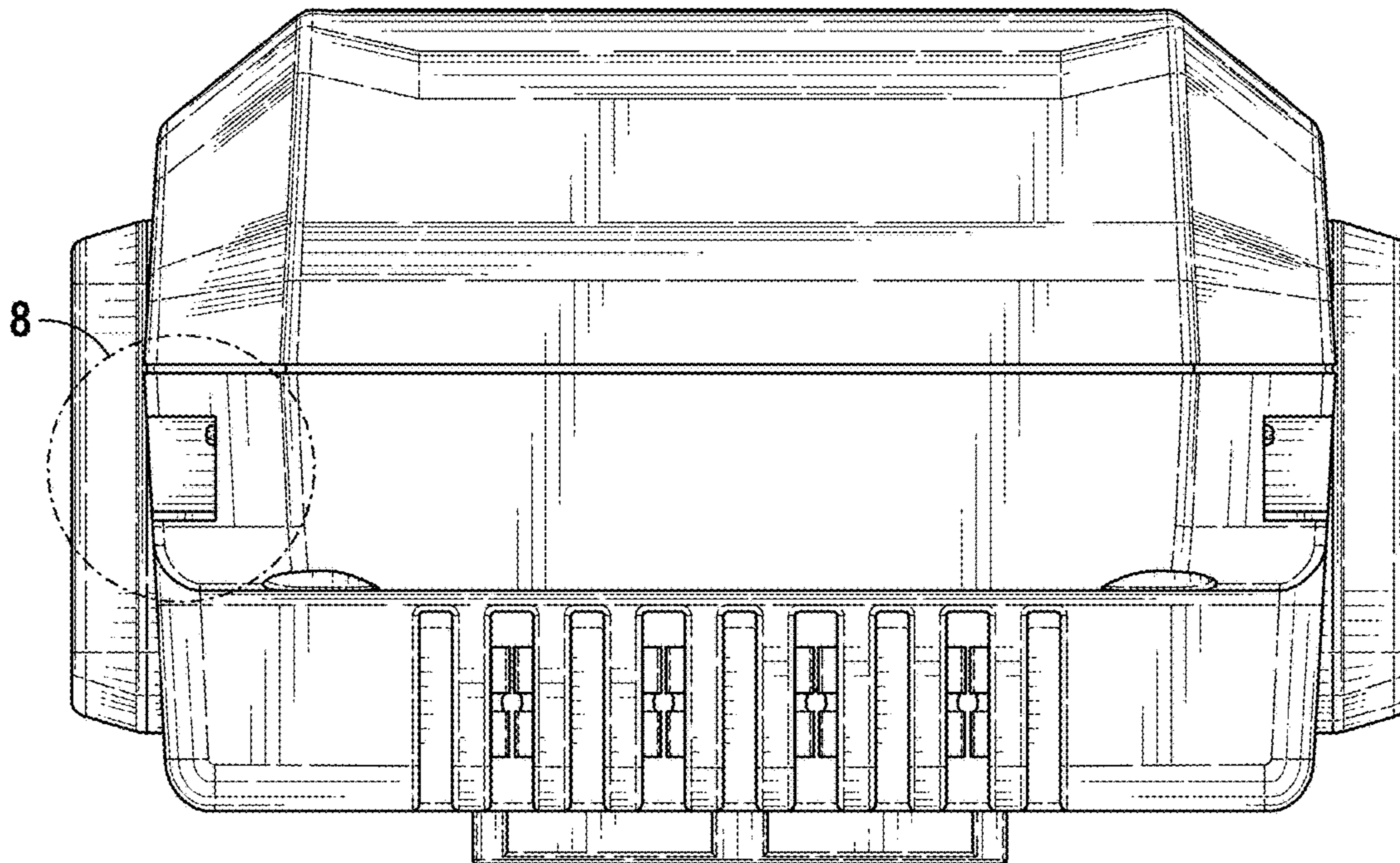


FIG. 7

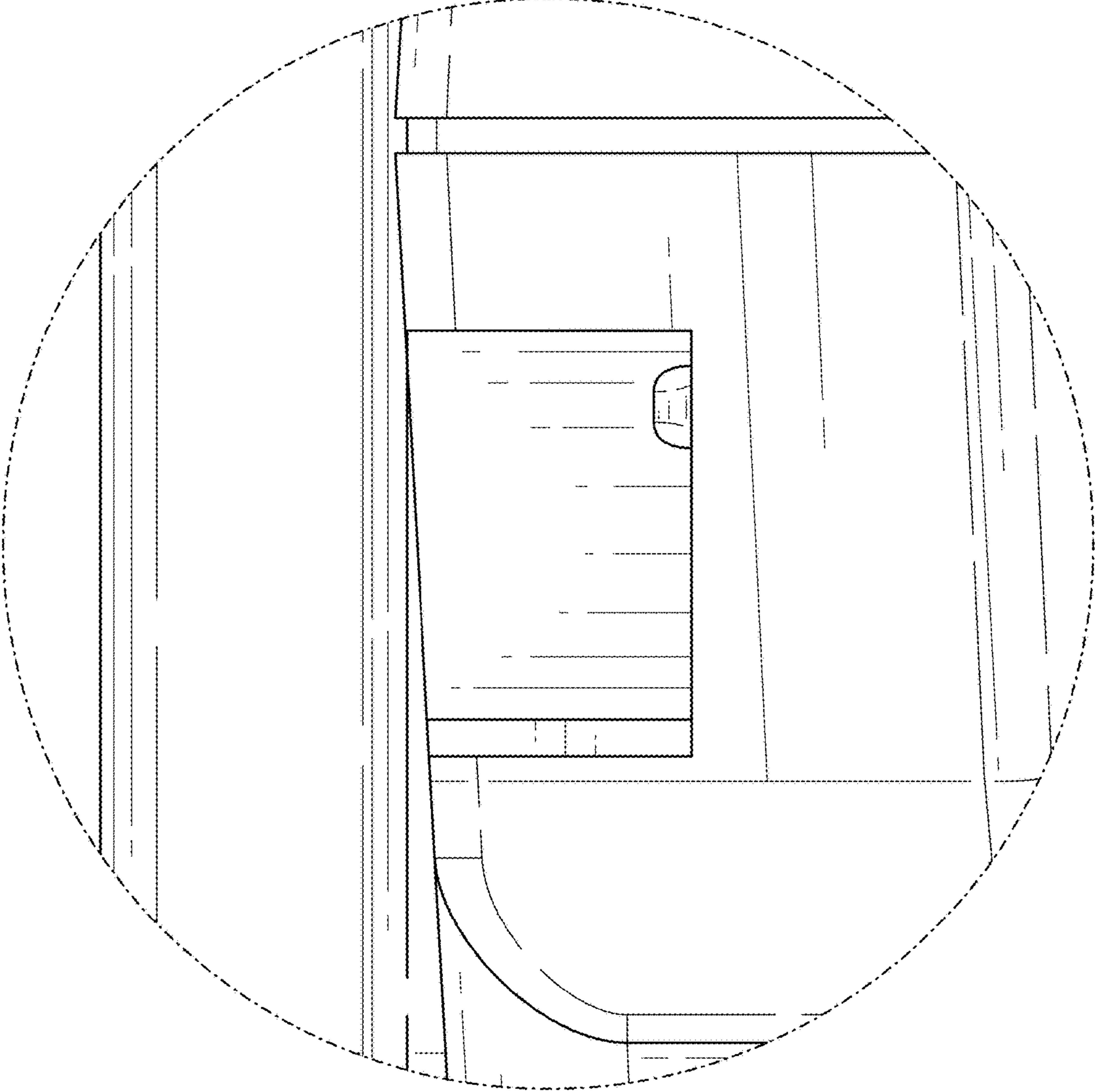


FIG. 8

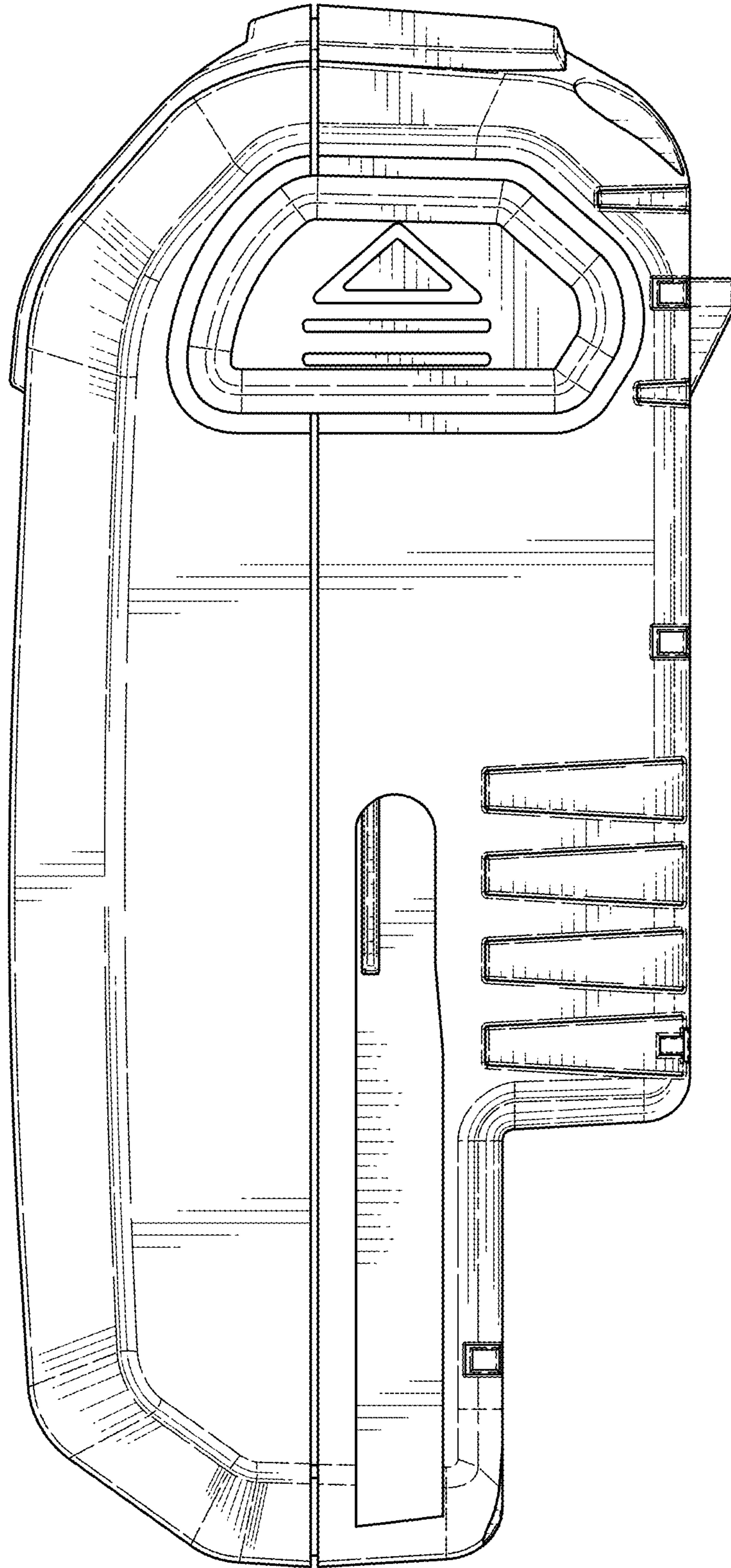


FIG. 9

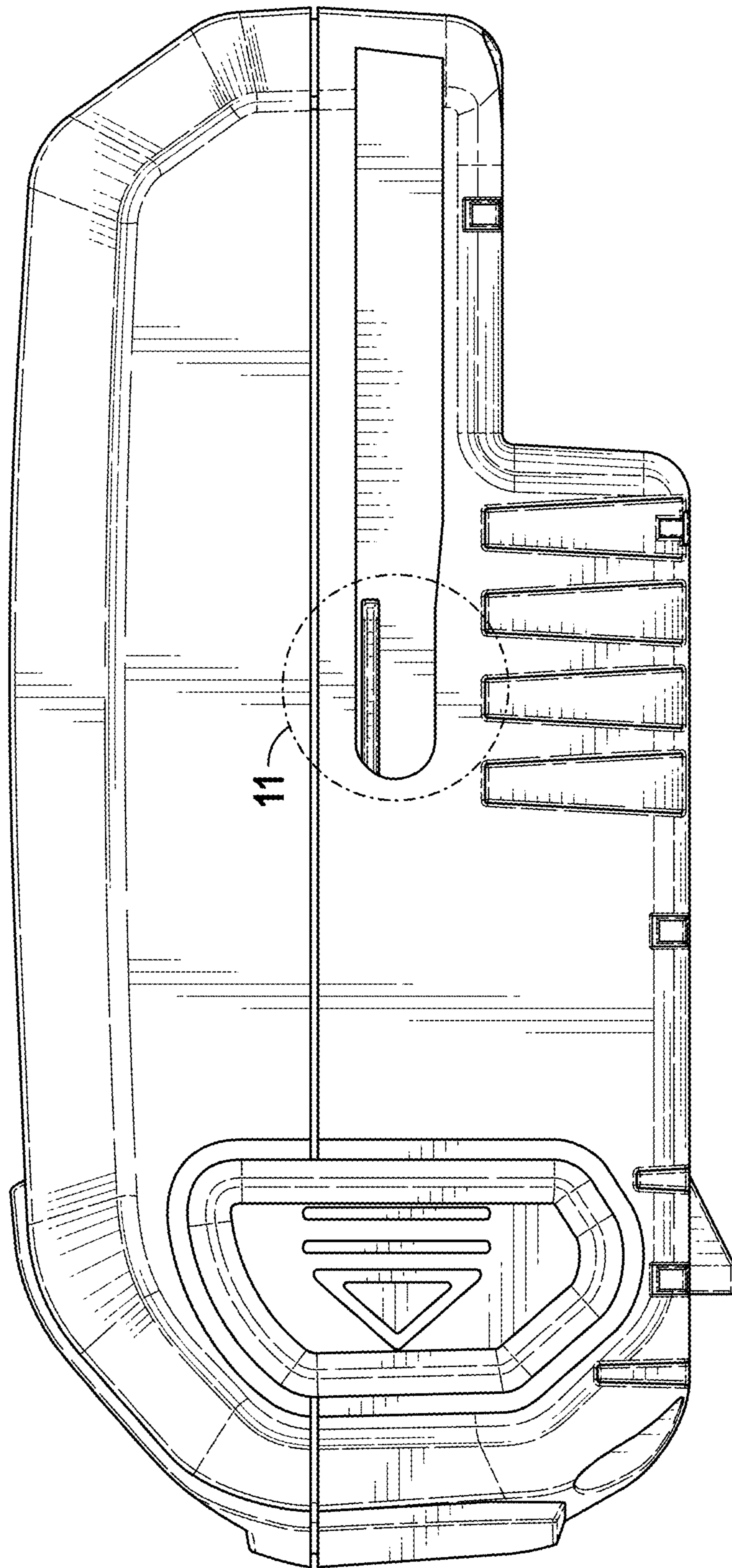


FIG. 10

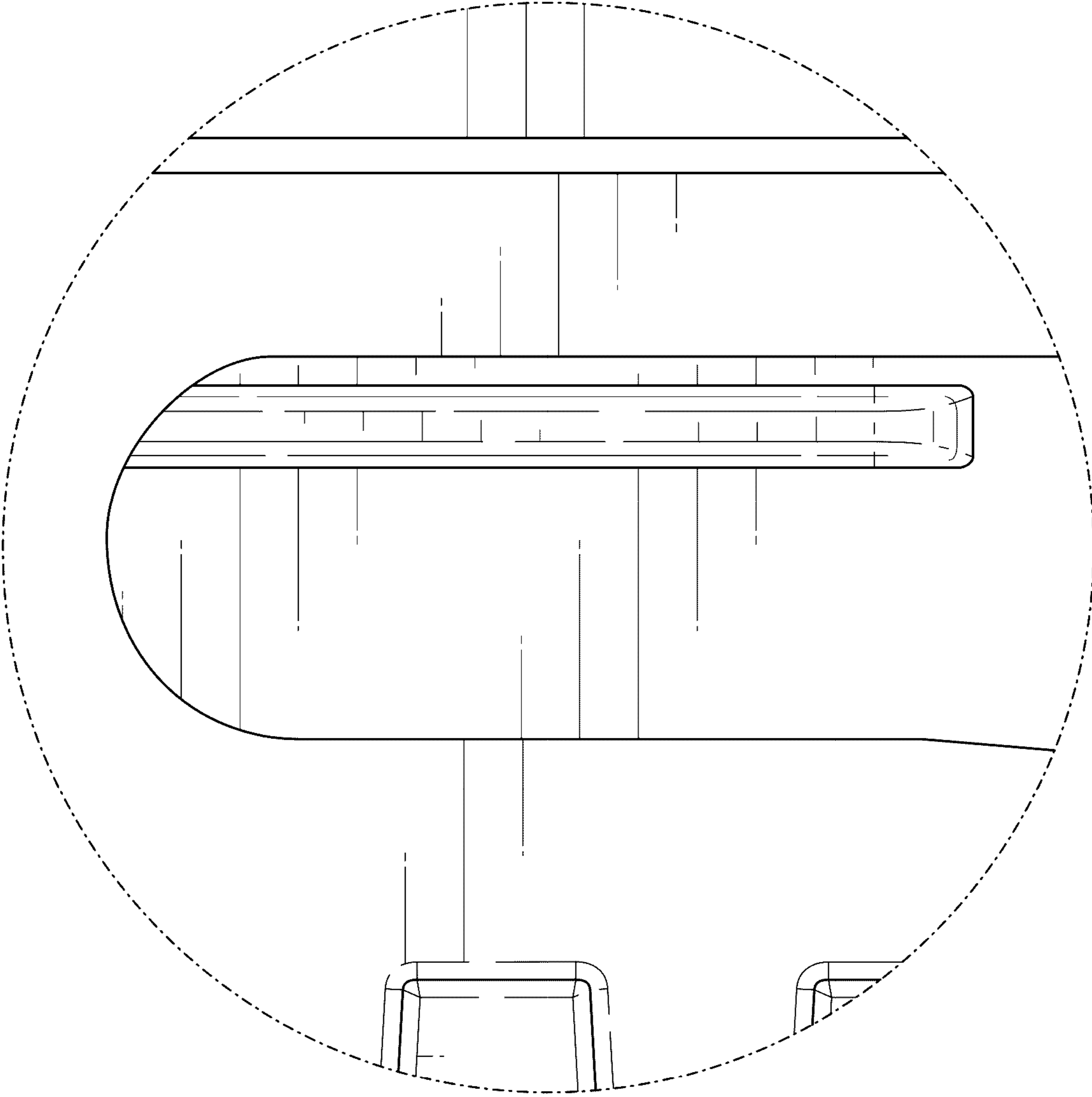


FIG. 11

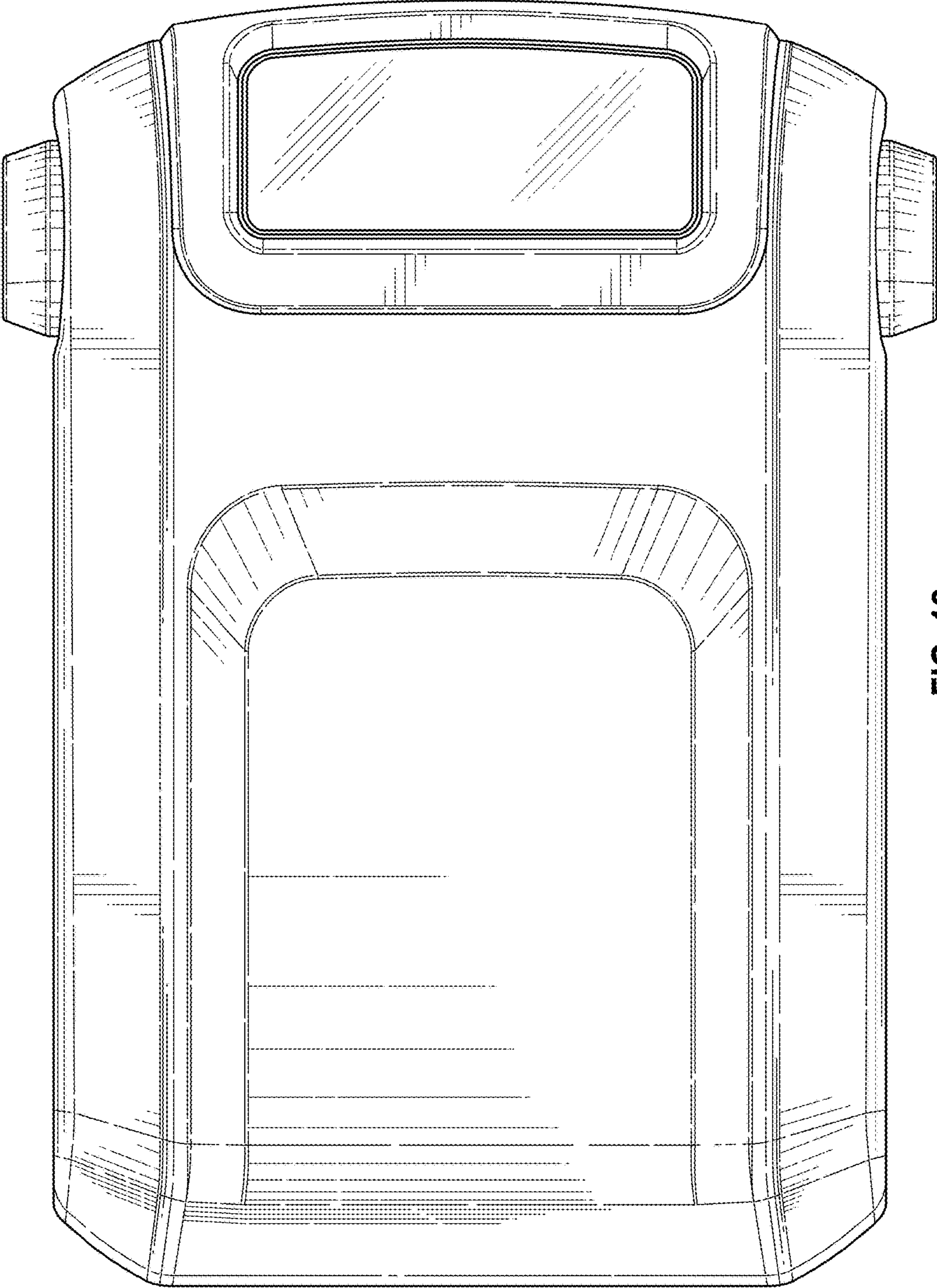


FIG. 12

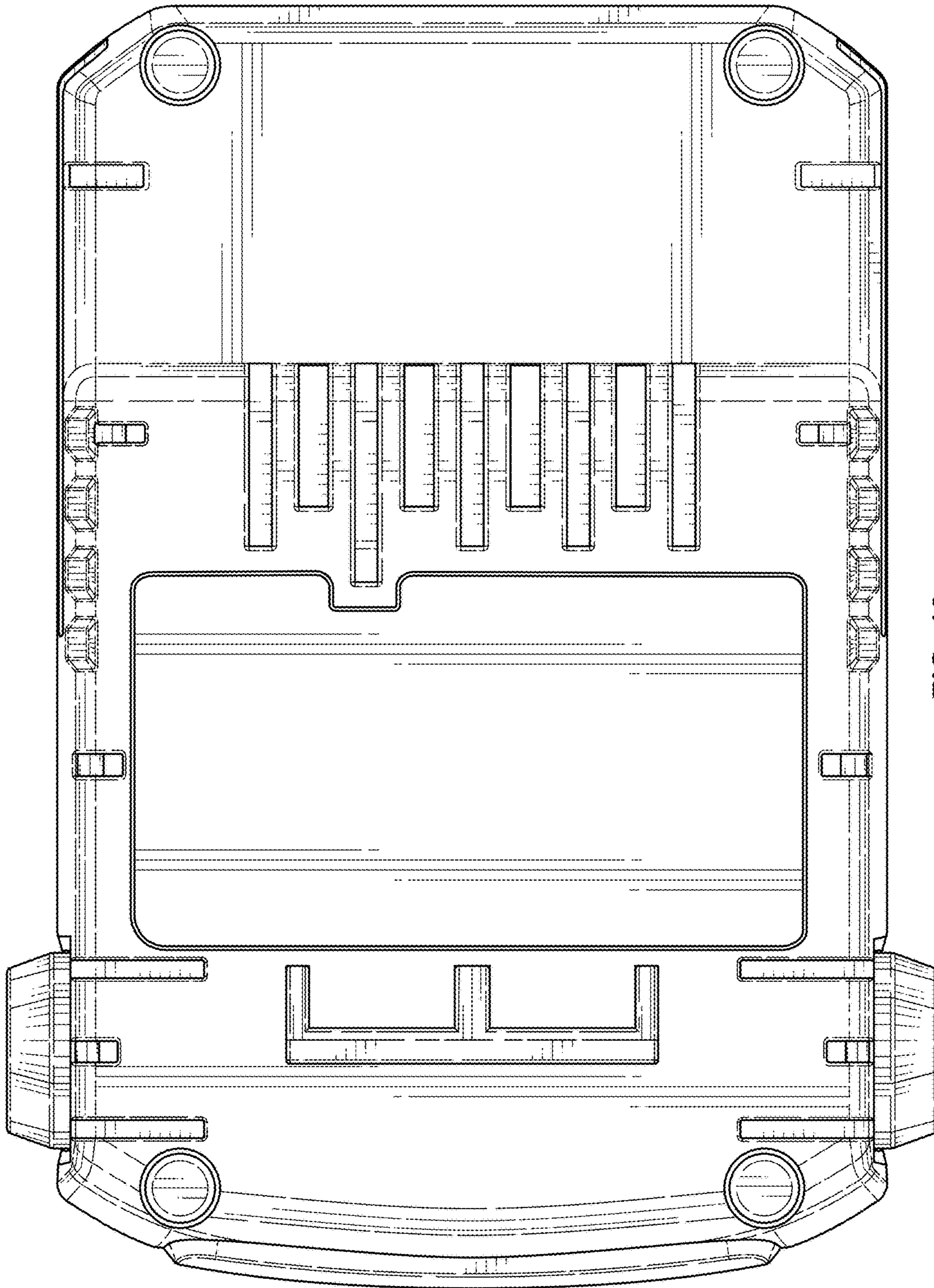


FIG. 13