



US00D776607S

(12) **United States Design Patent** (10) **Patent No.:** **US D776,607 S**
Conzett (45) **Date of Patent:** **** Jan. 17, 2017**

(54) **TIRE TREAD**
(71) Applicant: **Bridgestone Bandag, LLC**, Muscatine, IA (US)
(72) Inventor: **Daniel J. Conzett**, Bettendorf, IA (US)
(73) Assignee: **Bridgestone Bandag, LLC**, Muscatine, IA (US)
(**) Term: **15 Years**

D504,658 S 5/2005 Fukunaga et al.
D516,015 S 2/2006 Ikeda
D527,339 S 8/2006 Lissan et al.
D535,611 S 1/2007 Sundkvist et al.
D541,737 S 5/2007 Cazin-Bourguignon et al.
D556,125 S 11/2007 Blackiston et al.
D583,755 S 12/2008 Takahashi
D585,364 S 1/2009 Shondel et al.
D613,680 S 4/2010 Dixon et al.
D622,211 S 8/2010 Maus et al.
D645,806 S 9/2011 Dixon et al.
D646,629 S 10/2011 Yoshikawa
D733,638 S 7/2015 Takahashi

(21) Appl. No.: **29/540,907**

* cited by examiner

(22) Filed: **Sep. 29, 2015**

Primary Examiner — Robert M Spear

(51) **LOC (10) Cl.** **12-15**

(57) **CLAIM**

(52) **U.S. Cl.**
USPC **D12/600**

The ornamental design for a tire tread, as shown and described.

(58) **Field of Classification Search**
USPC D12/579, 587, 588, 594, 600, 601, 900
CPC .. B60C 11/03; B60C 11/0306; B60C 11/0309;
B60C 11/0311; B60C 11/0332; B60C
11/0337; B60C 11/11; B60C 11/12
See application file for complete search history.

DESCRIPTION

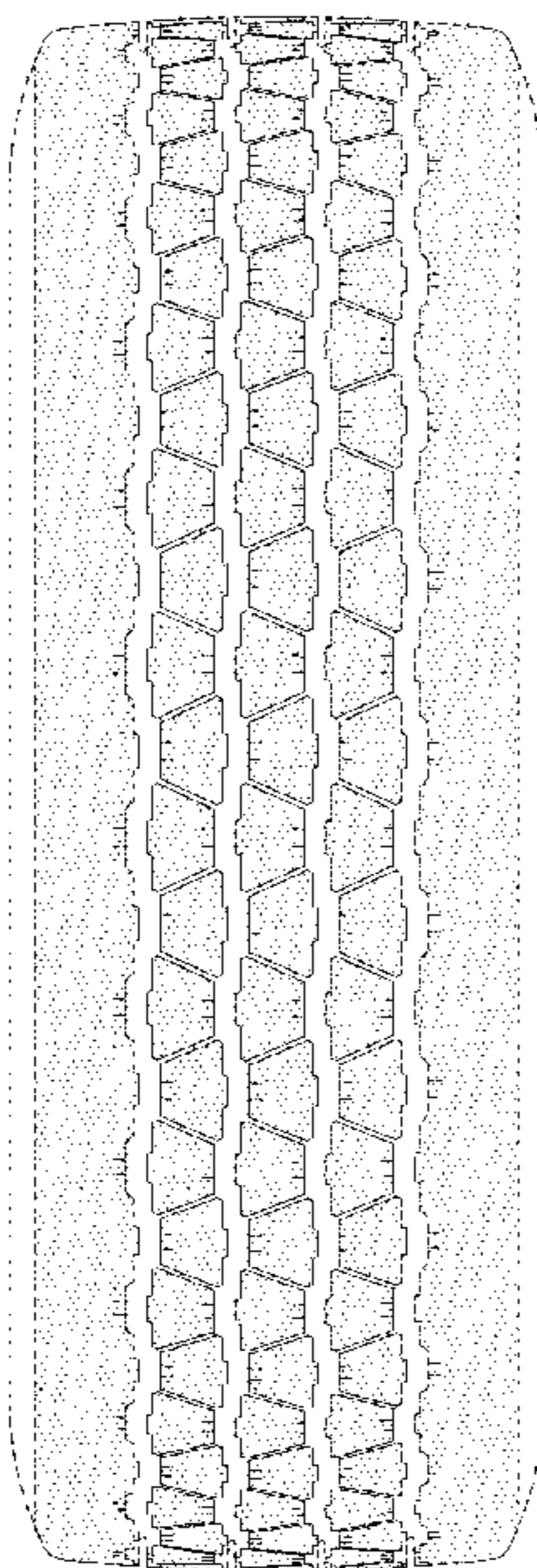
(56) **References Cited**

U.S. PATENT DOCUMENTS

D261,492 S * 10/1981 Remy D12/587
D370,439 S * 6/1996 Feider D12/588
D386,453 S 11/1997 Guspodin
D387,310 S * 12/1997 Scheuren D12/588
D402,937 S * 12/1998 Robert D12/594
D403,275 S * 12/1998 Gillard D12/587
D426,795 S 6/2000 Oliver
D445,370 S 7/2001 Allison
D456,000 S 4/2002 Graas
D477,809 S 7/2003 Zurita
D500,732 S 1/2005 Lo
D501,695 S 2/2005 Lissan et al.

FIG. 1 is a side perspective view of a tire tread showing my new design, it being understood that the tread pattern is repeated throughout the circumference of the tire tread, the opposite side being the same as that shown;
FIG. 2 is a front elevational view thereof, the opposite side being identical thereto;
FIG. 3 is a side elevational view of the right side thereof, the opposite side being identical thereto; and,
FIG. 4 is an enlarged fragmentary front elevational view thereof.
In the drawings, the shaded surfaces comprise the claim. The broken lines defining the sidewall, inner bead, tread lug side walls, and the peripheral boundary between the claimed tire tread and the sidewall depict environmental subject matter that forms no part of the claimed design.

1 Claim, 4 Drawing Sheets



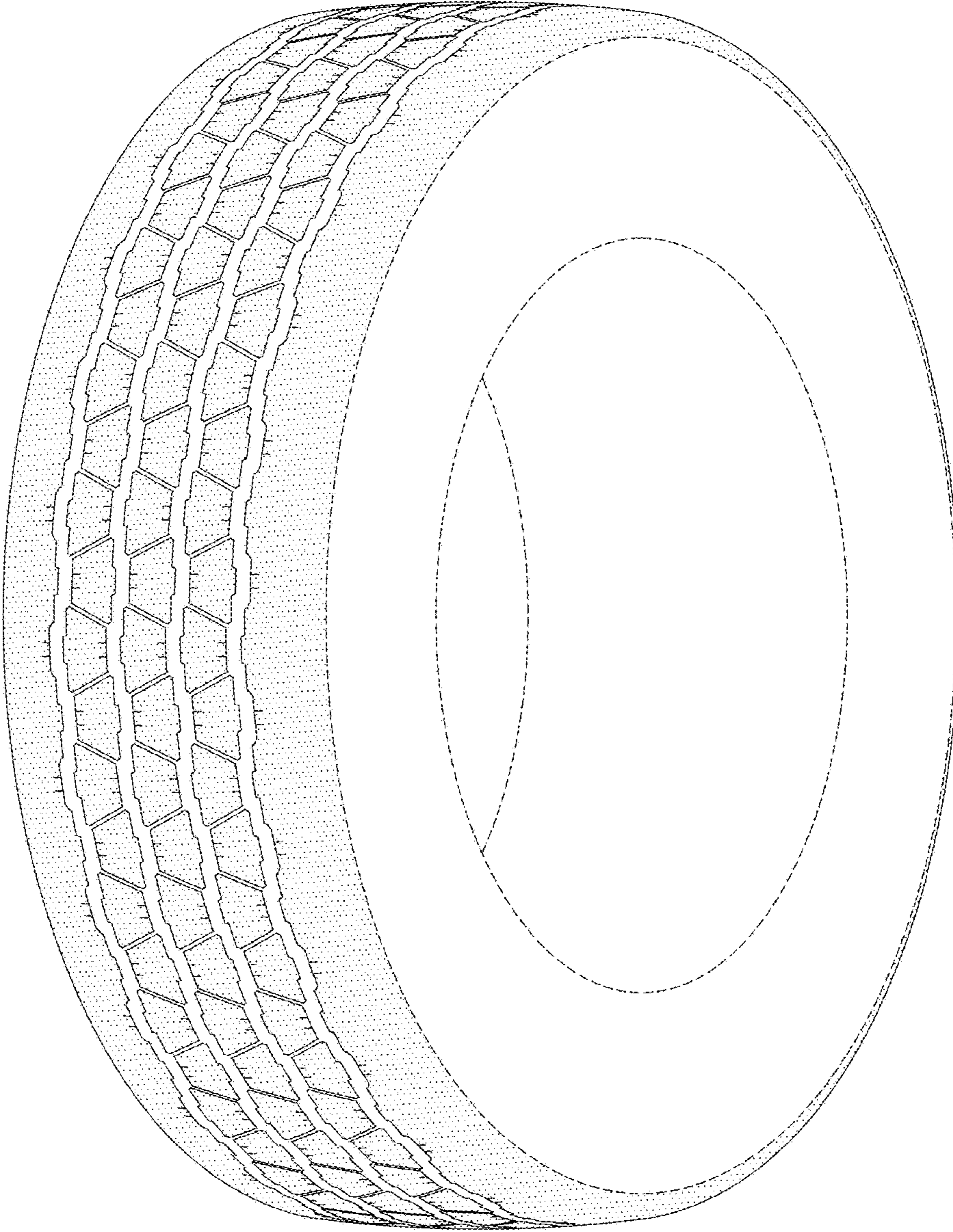


FIG-1

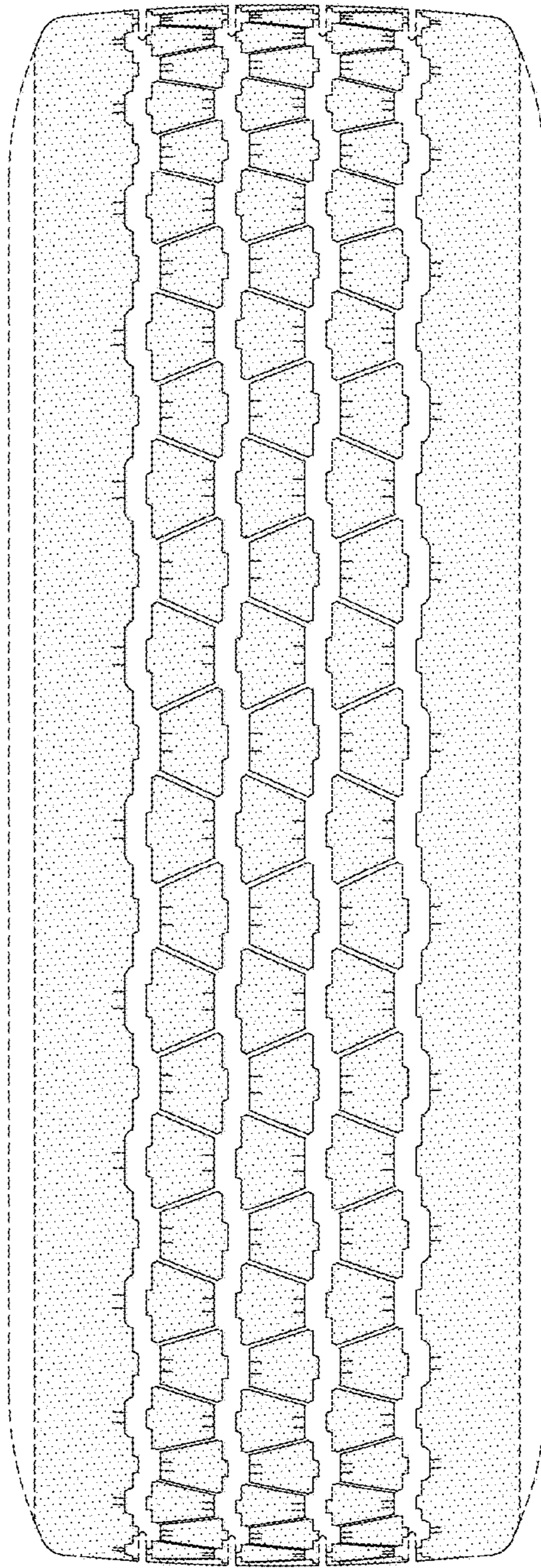


FIG-2

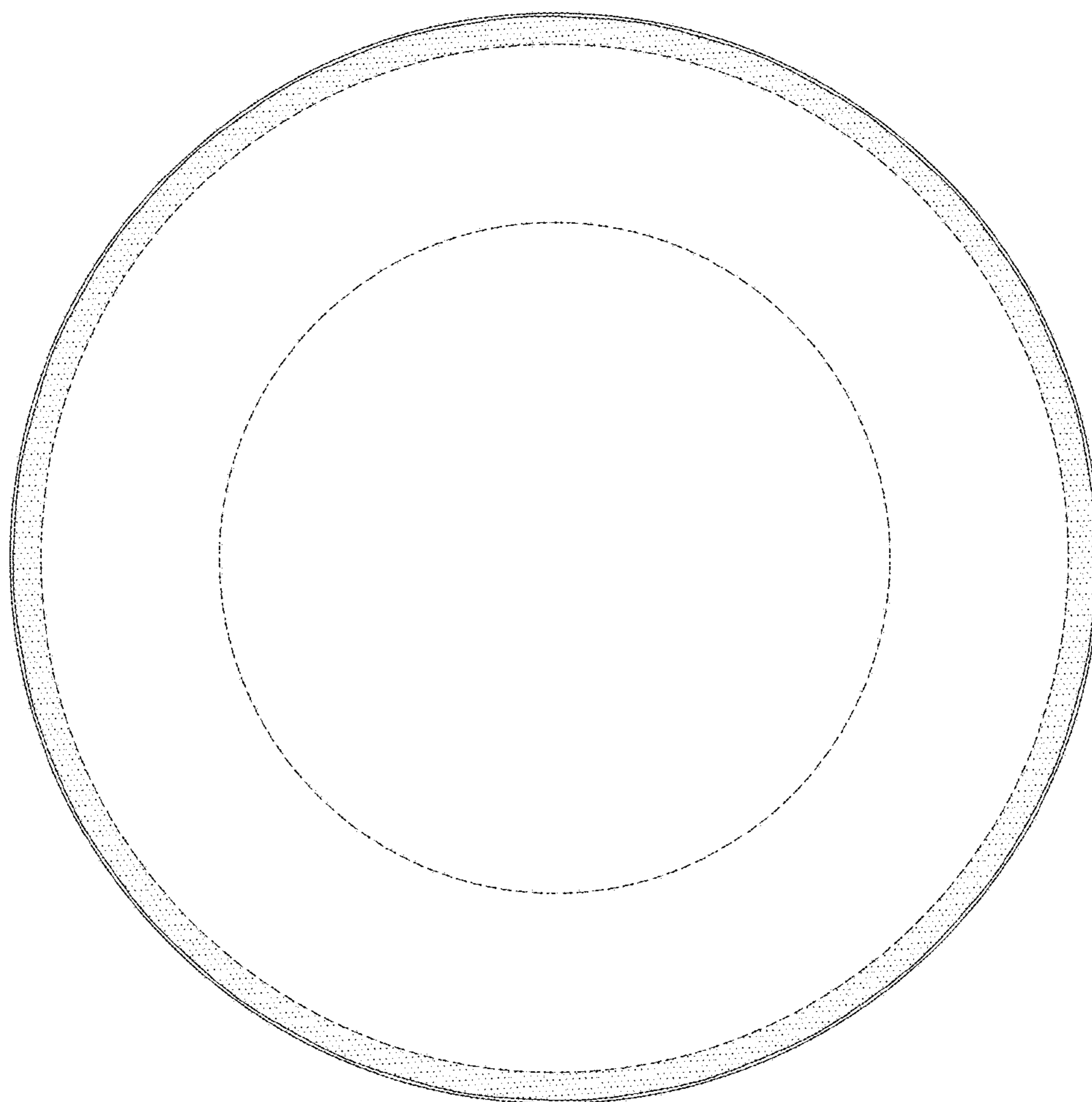


FIG-3

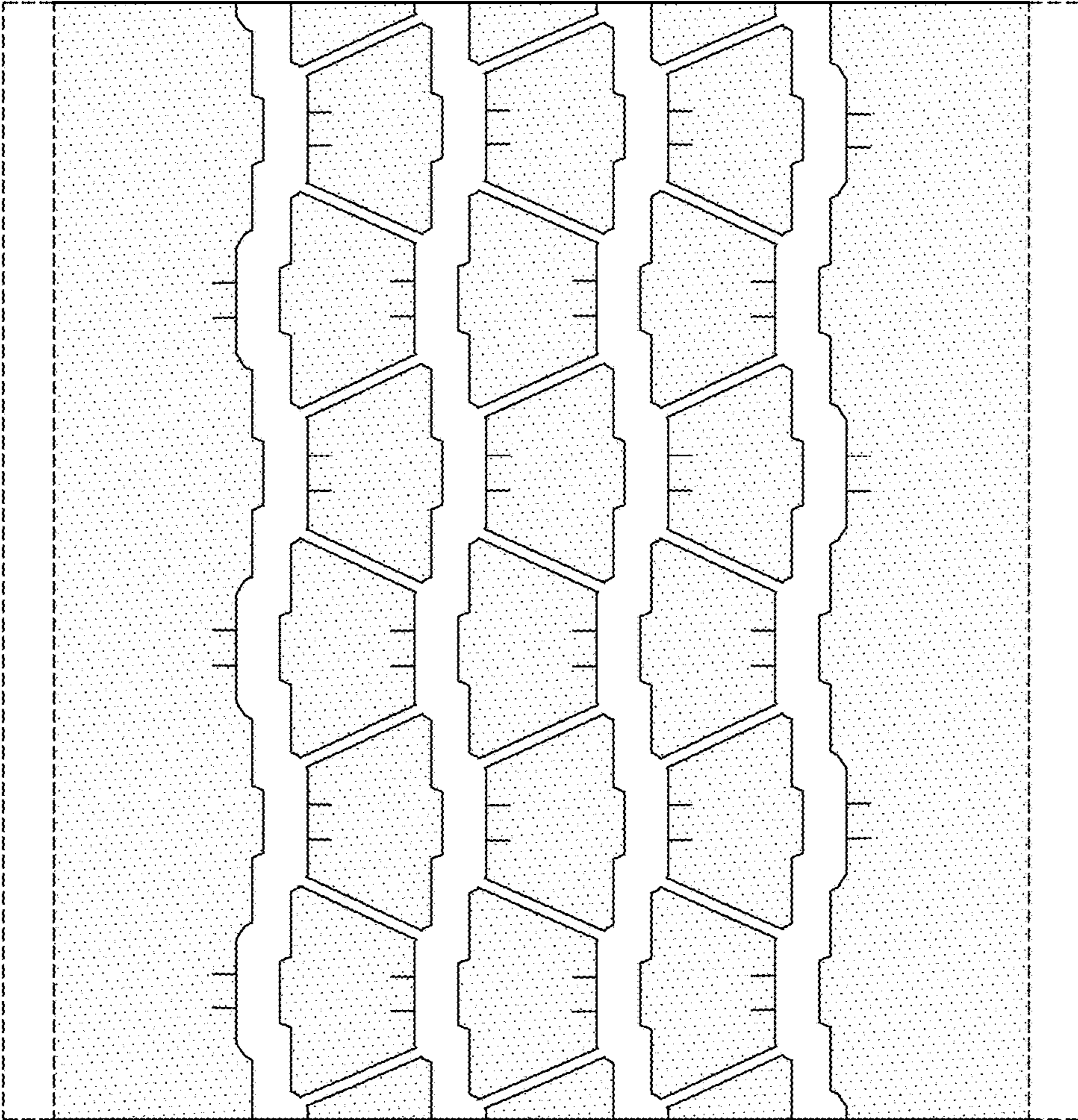


FIG-4