

US00D776598S

(12) **United States Design Patent** (10) **Patent No.:** **US D776,598 S**
Zhao (45) **Date of Patent:** **** Jan. 17, 2017**

- (54) **AUTOMOBILE WHEEL**
- (71) Applicant: **WAH HUNG GROUP INC.**, Monterey Park, CA (US)
- (72) Inventor: **John Zhao**, Monterey Park, CA (US)
- (73) Assignee: **Wah Hung Group Inc.**, Monterey Park, CA (US)
- (**) Term: **15 Years**
- (21) Appl. No.: **29/558,775**
- (22) Filed: **Mar. 21, 2016**
- (51) **LOC (10) Cl.** **12-16**
- (52) **U.S. Cl.**
USPC **D12/211**
- (58) **Field of Classification Search**
USPC D12/204–213
CPC B60B 7/00; B60B 7/02; B60B 7/04;
B60B 7/01; B60B 7/06; B60B 3/02; B60B 3/04;
B60B 3/06; B60B 3/10; B60B 1/00;
B60B 1/08; B60B 1/10; B60B 1/12
See application file for complete search history.

D633,849 S *	3/2011	Scolari	D12/211
D644,589 S *	9/2011	Fisker	D12/211
D656,449 S *	3/2012	Zhao	D12/211
D666,961 S *	9/2012	Chung	D12/211
D684,518 S *	6/2013	Zhao	D12/211
D726,621 S	4/2015	Alfonso	

OTHER PUBLICATIONS

Search Results for IN/ernie and IN/alfonso on Dec. 21, 2014.
Search results of IN/john and TTL/wheel and IN/zhaoh on Feb. 10 2016.
U.S. Appl. No. 29/508,262, Ernie Alfonso, filed Nov. 4, 2014.
U.S. Appl. No. 29/508,266, Ernie Alfonso, filed Nov. 4, 2014.
U.S. Appl. No. 29/508,268, Ernie Alfonso, filed Nov. 4, 2014.
U.S. Appl. No. 29/508,269, Ernie Alfonso, filed Nov. 4, 2014.
U.S. Appl. No. 29/508,270, Ernie Alfonso, filed Nov. 4, 2014.
U.S. Appl. No. 29/508,271, Ernie Alfonso, filed Nov. 4, 2014.
U.S. Appl. No. 29/544,270, filed Nov. 2, 2015, Ernie Alfonso.
U.S. Appl. No. 29/544,262, filed Nov. 2, 2015, Ernie Alfonso.
U.S. Appl. No. 29/544,267, filed Nov. 2, 2015, Ernie Alfonso.
U.S. Appl. No. 29/544,268, filed Nov. 2, 2015, Ernie Alfonso.
U.S. Appl. No. 29/544,272, filed Nov. 2, 2015, Ernie Alfonso.

* cited by examiner

Primary Examiner — Stacia Cadmus
(74) *Attorney, Agent, or Firm* — Payam Moradian

(56) **References Cited**

U.S. PATENT DOCUMENTS

D282,924 S *	3/1986	Inoue	D12/211
D365,318 S *	12/1995	Neeper	D12/209
D401,207 S *	11/1998	Al-Sabah	D12/209
D427,129 S *	6/2000	Lee	D12/209
D432,071 S *	10/2000	Brown	D12/211
D442,136 S *	5/2001	Provost	D12/209
D449,266 S *	10/2001	Afzal	D12/209
D456,757 S *	5/2002	Schroeder	D12/209
D512,676 S *	12/2005	Brown	D12/211
D541,205 S *	4/2007	Plumer	D12/211
D582,334 S *	12/2008	Fournier	D12/211
D623,114 S *	9/2010	Geisler	D12/211
D624,863 S *	10/2010	Zhao	D12/211

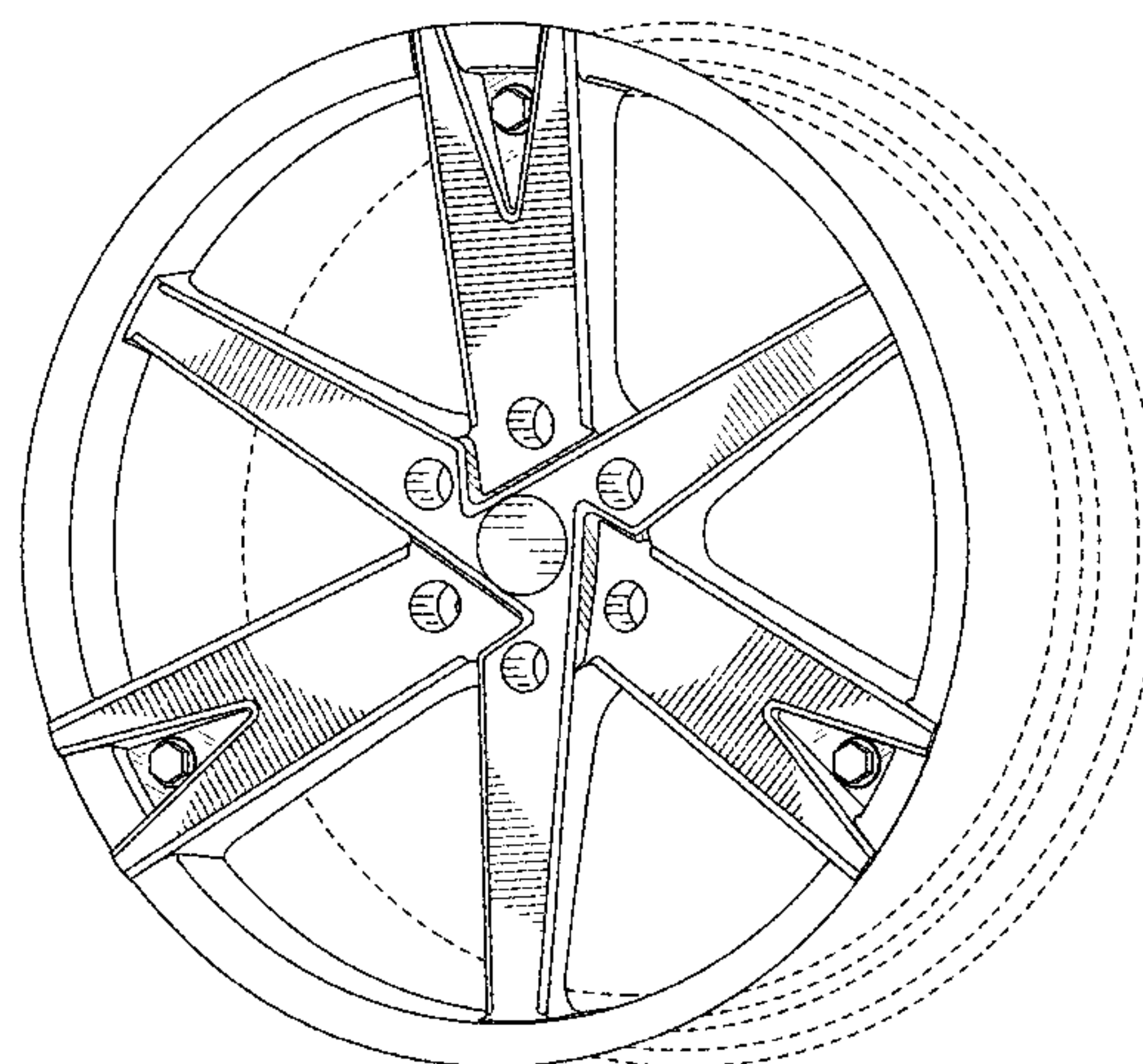
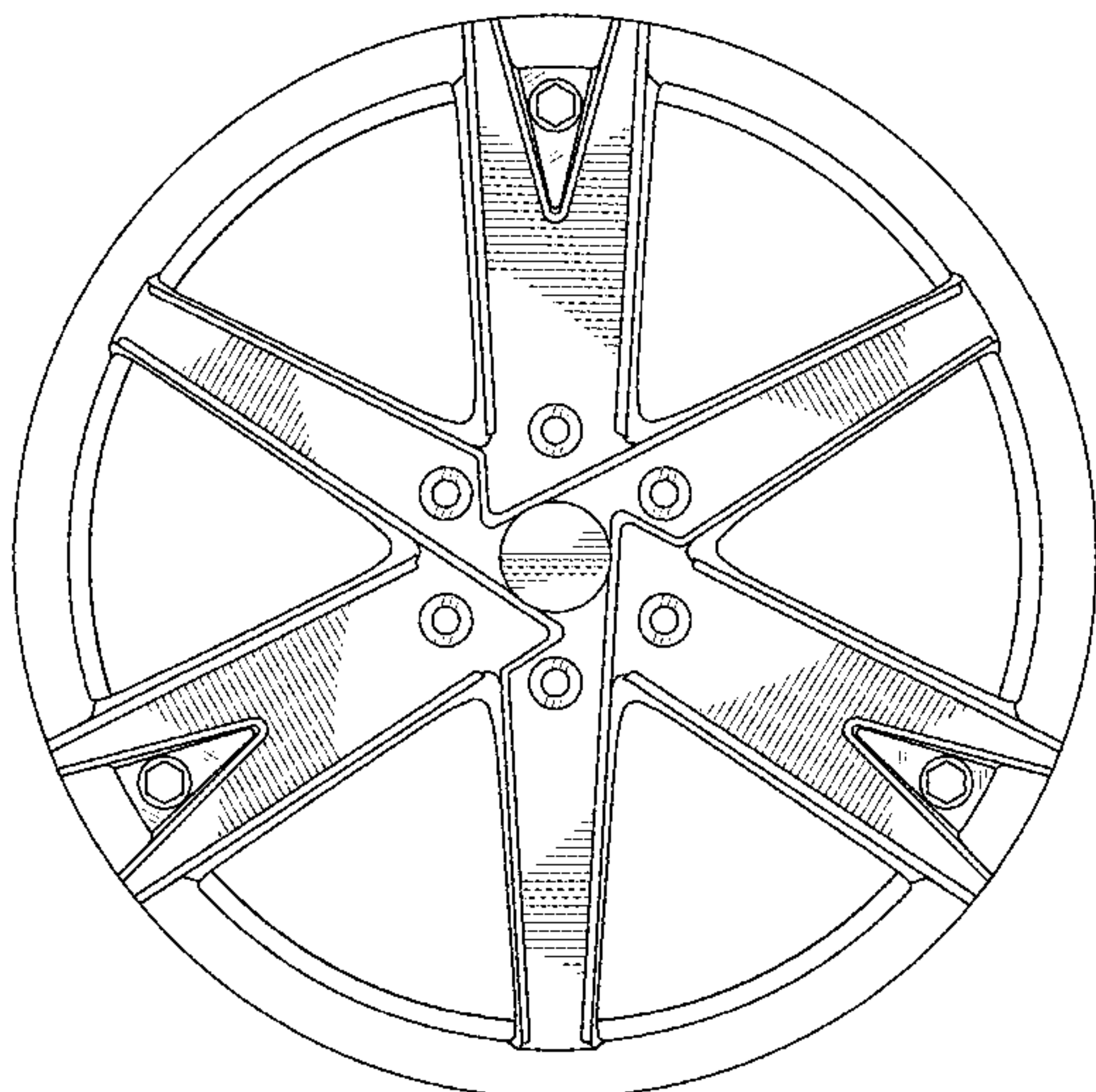
(57) **CLAIM**

I claim the ornamental design for an automobile wheel, as shown and described.

DESCRIPTION

FIG. 1 is a front elevational view of an automobile wheel; and,
FIG. 2 is a perspective view thereof.
The broken lines shown in FIG. 2 illustrate portions of the automobile wheel that form no part of the claimed design.

1 Claim, 2 Drawing Sheets



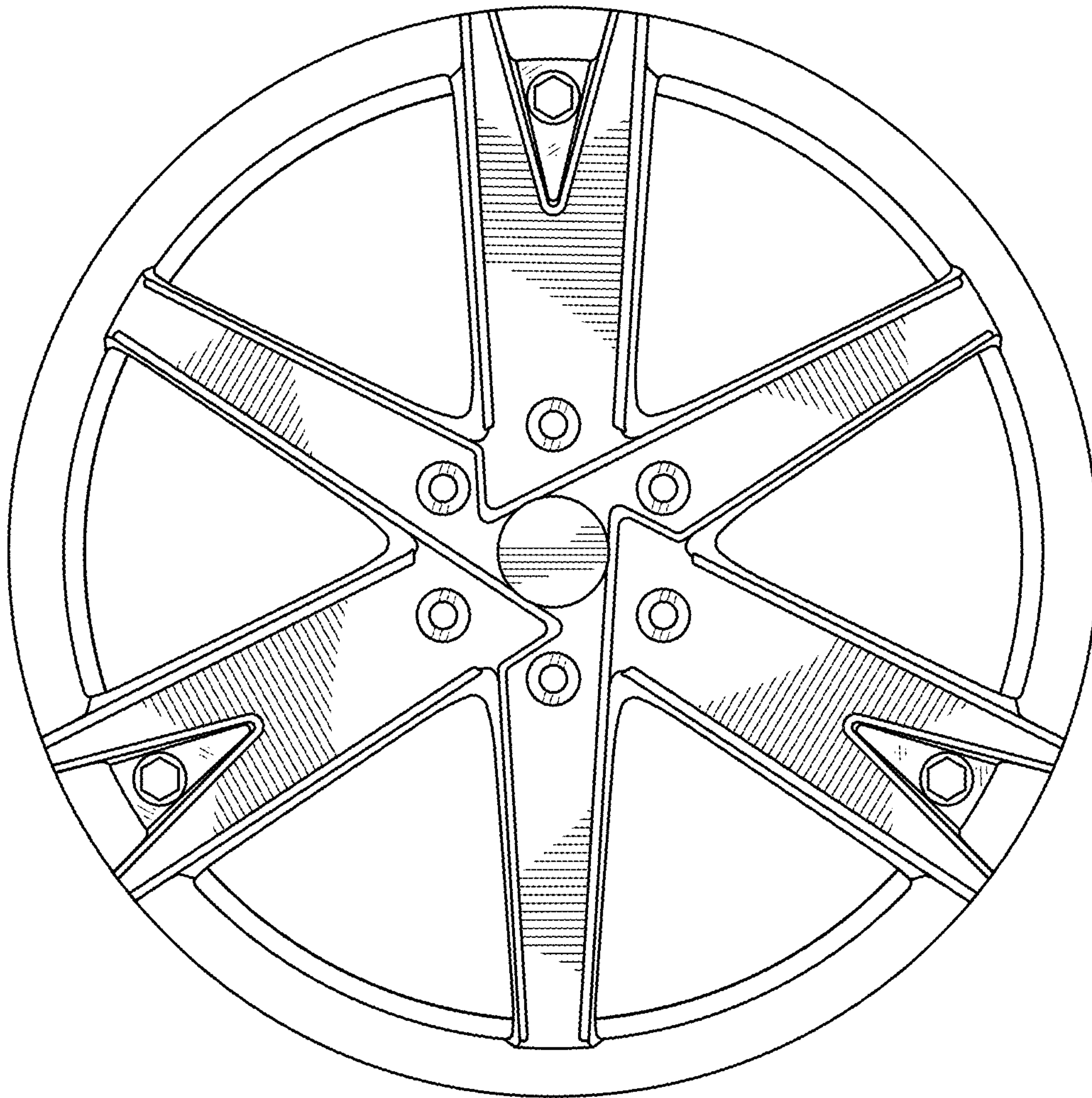


FIG. 1

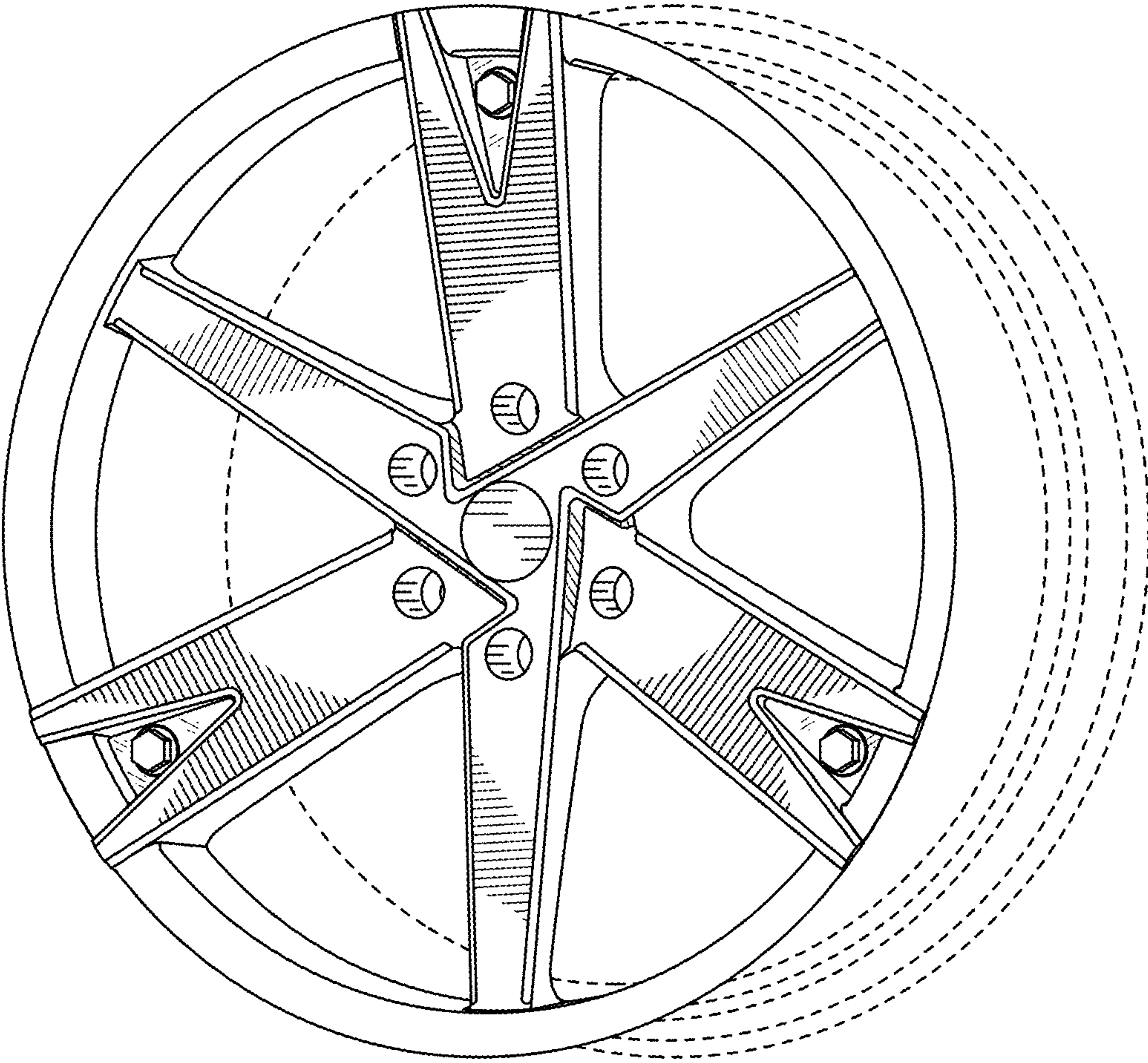


FIG. 2