



US00D776597S

(12) **United States Design Patent**
Zhao

(10) **Patent No.:** **US D776,597 S**
(45) **Date of Patent:** **** Jan. 17, 2017**

- (54) **AUTOMOBILE WHEEL**
- (71) Applicant: **WAH HUNG GROUP INC.**, Monterey Park, CA (US)
- (72) Inventor: **John Zhao**, Monterey Park, CA (US)
- (73) Assignee: **Wah Hung Group Inc.**, Monterey Park, CA (US)

(**) Term: **15 Years**

(21) Appl. No.: **29/558,772**

(22) Filed: **Mar. 21, 2016**

(51) **LOC (10) Cl.** **12-16**

(52) **U.S. Cl.**
USPC **D12/211**

(58) **Field of Classification Search**
USPC D12/204–213
CPC B60B 7/00; B60B 7/02; B60B 7/04;
B60B 7/01; B60B 7/06; B60B 3/02; B60B
3/04; B60B 3/06; B60B 3/10; B60B 1/00;
B60B 1/08; B60B 1/10; B60B 1/12
See application file for complete search history.

(56) **References Cited**

U.S. PATENT DOCUMENTS

D416,534 S	*	11/1999	Couzyn	D12/211
D446,493 S	*	8/2001	Sulahian	D12/211
D481,984 S	*	11/2003	Sulahian	D12/211
D498,725 S	*	11/2004	Suciu	D12/211
D518,766 S	*	4/2006	Burns	D12/211
D524,215 S	*	7/2006	Guevara	D12/211
D617,721 S	*	6/2010	Zhao	D12/211
D652,364 S	*	1/2012	Zhao	D12/211
D680,048 S	*	4/2013	Zhao	D12/211
D683,686 S	*	6/2013	Alfonso	D12/211
D683,688 S	*	6/2013	Alfonso	D12/211

D684,518 S	*	6/2013	Zhao	D12/211
D726,621 S		4/2015	Alfonso		
D736,134 S	*	8/2015	Platto	D12/211
D741,244 S	*	10/2015	Zhao	D12/211
D741,775 S	*	10/2015	Zhao	D12/211
D749,030 S	*	2/2016	Zhao	D12/211
D751,480 S	*	3/2016	Chung	D12/209
D752,498 S	*	3/2016	Zhao	D12/211
D758,945 S	*	6/2016	Zhao	D12/211
D758,947 S	*	6/2016	Zhao	D12/211

OTHER PUBLICATIONS

Search Results for IN/ernie and IN/alfonso on uspto.gov on Dec. 21, 2014.

Search results of IN/john and TTL/wheel and IN/zhao on Feb. 10, 2016 on uspto.gov.

U.S. Appl. No. 29/508,262, Ernie Alfonso; Nov. 4, 2014.

U.S. Appl. No. 29/508,266, Ernie Alfonso; Nov. 4, 2014.

U.S. Appl. No. 29/508,268, Ernie Alfonso; Nov. 4, 2014.

(Continued)

Primary Examiner — Stacia Cadmus

(74) *Attorney, Agent, or Firm* — Payam Moradian

(57) **CLAIM**

I claim the ornamental design for an automobile wheel, as shown and described.

DESCRIPTION

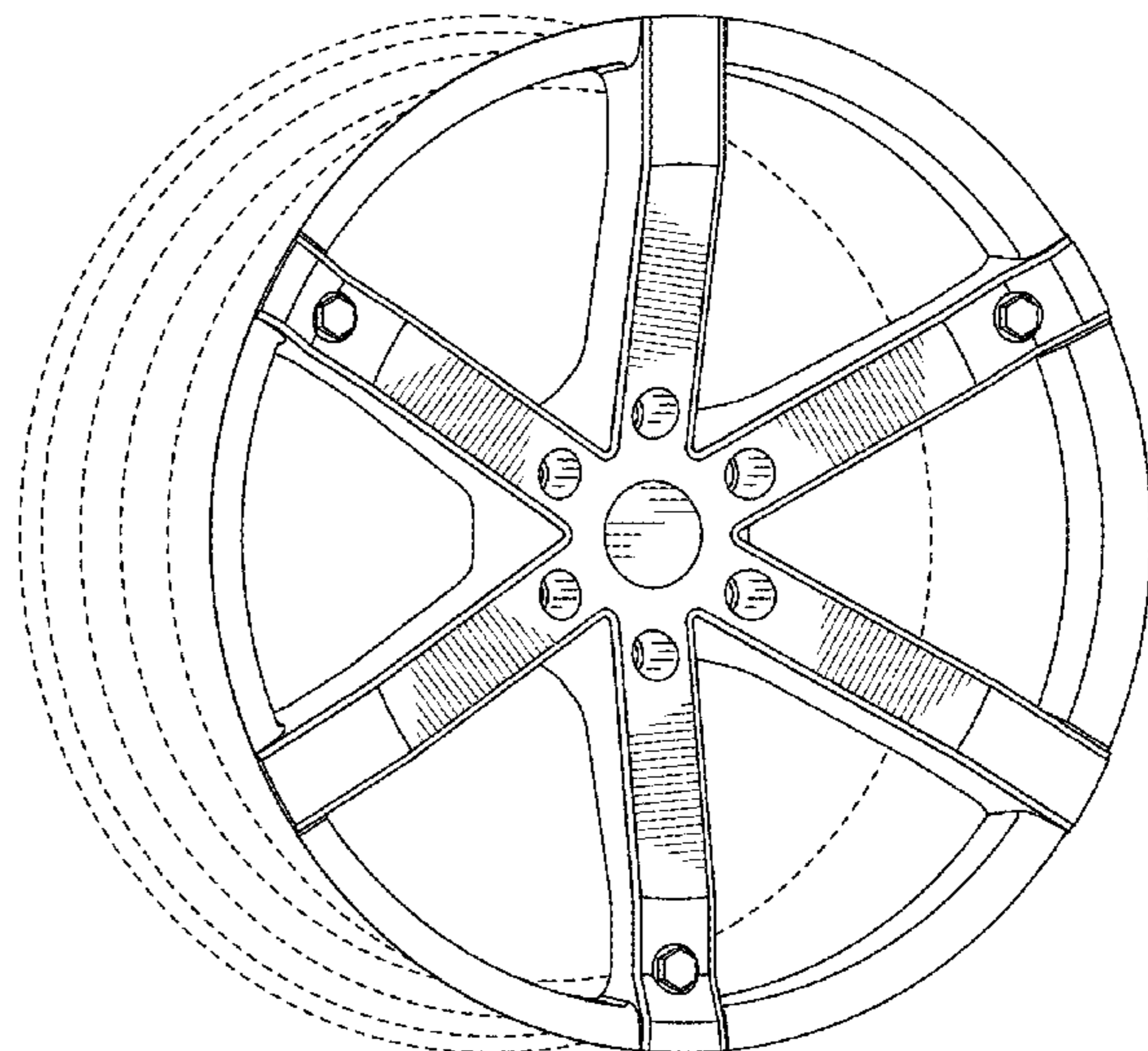
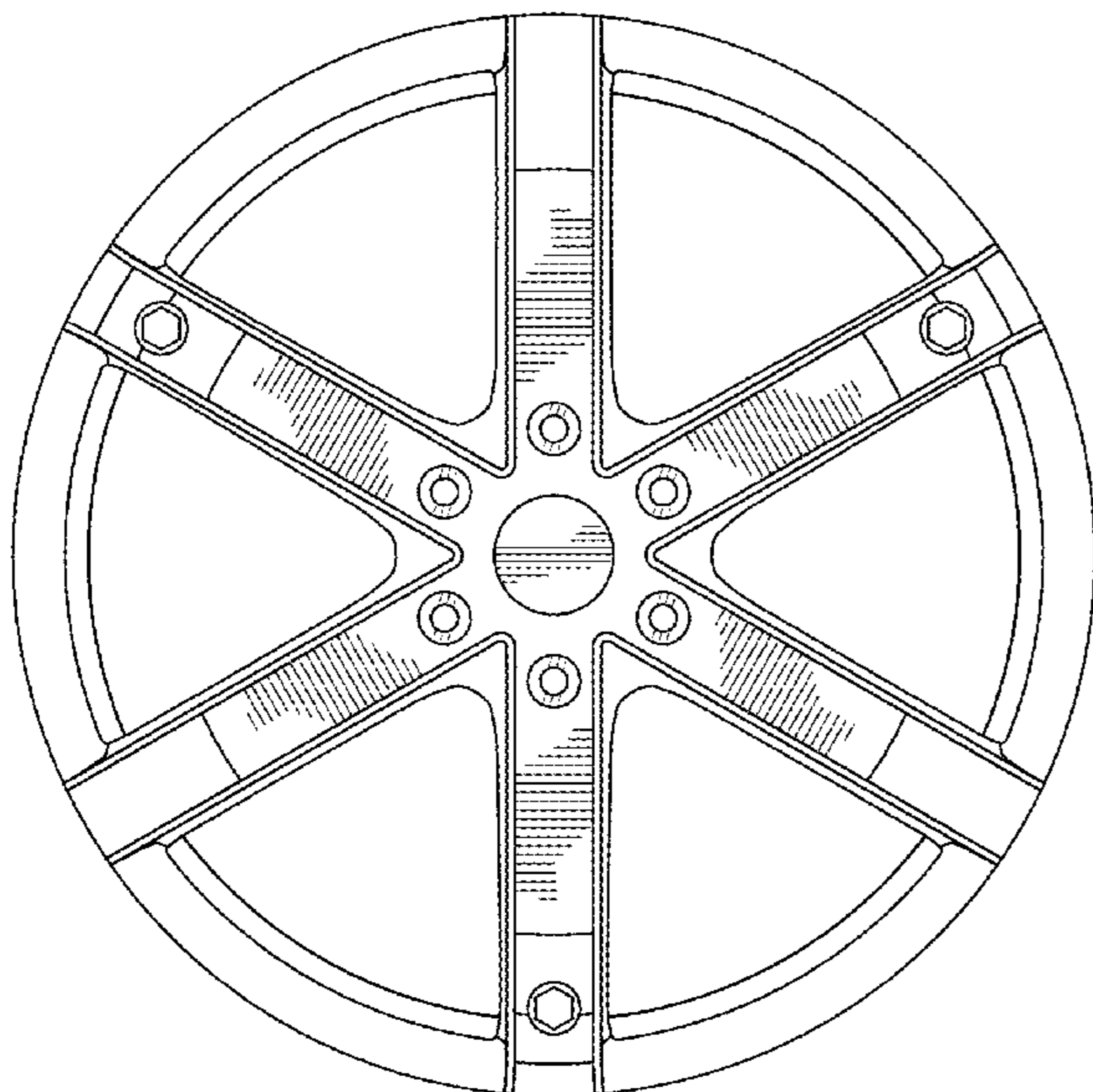
FIG. 1 is a front elevational view of an automobile wheel; and,

FIG. 2 is a perspective view thereof.

The broken lines shown in FIG. 2 illustrate portions of the automobile wheel that form no part of the claimed design.

The broken line showing of the rear of the wheel is included for the purpose of illustrating environment and forms no part of the claimed design.

1 Claim, 2 Drawing Sheets



(56)

References Cited

OTHER PUBLICATIONS

U.S. Appl. No. 29/508,269, Ernie Alfonso, Nov. 4, 2014.
U.S. Appl. No. 29/508,270, Ernie Alfonso, Nov. 4, 2014.
U.S. Appl. No. 29/508,271, Ernie Alfonso, Nov. 4, 2014.
U.S. Appl. No. 29/544,270, Nov. 2, 2015, Ernie Alfonso.
U.S. Appl. No. 29/544,262, Nov. 2, 2015; Ernie Alfonso.
U.S. Appl. No. 29/544,267, Nov. 2, 2015, Ernie Alfonso.
U.S. Appl. No. 29/544,268, Nov. 2, 2015, Ernie Alfonso.
U.S. Appl. No. 29/544,272, Nov. 2, 2015, Ernie Alfonso.

* cited by examiner

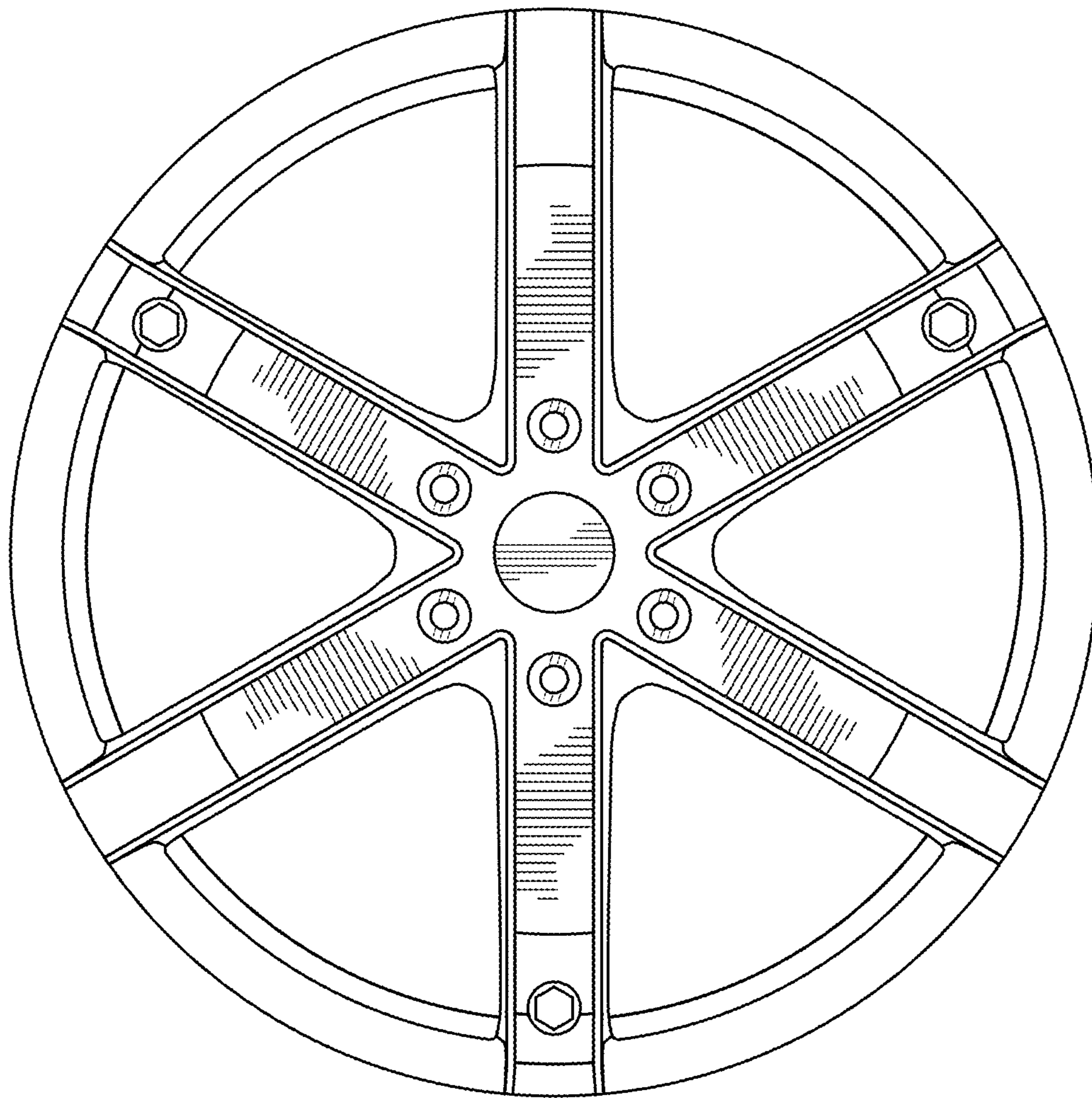


FIG. 1

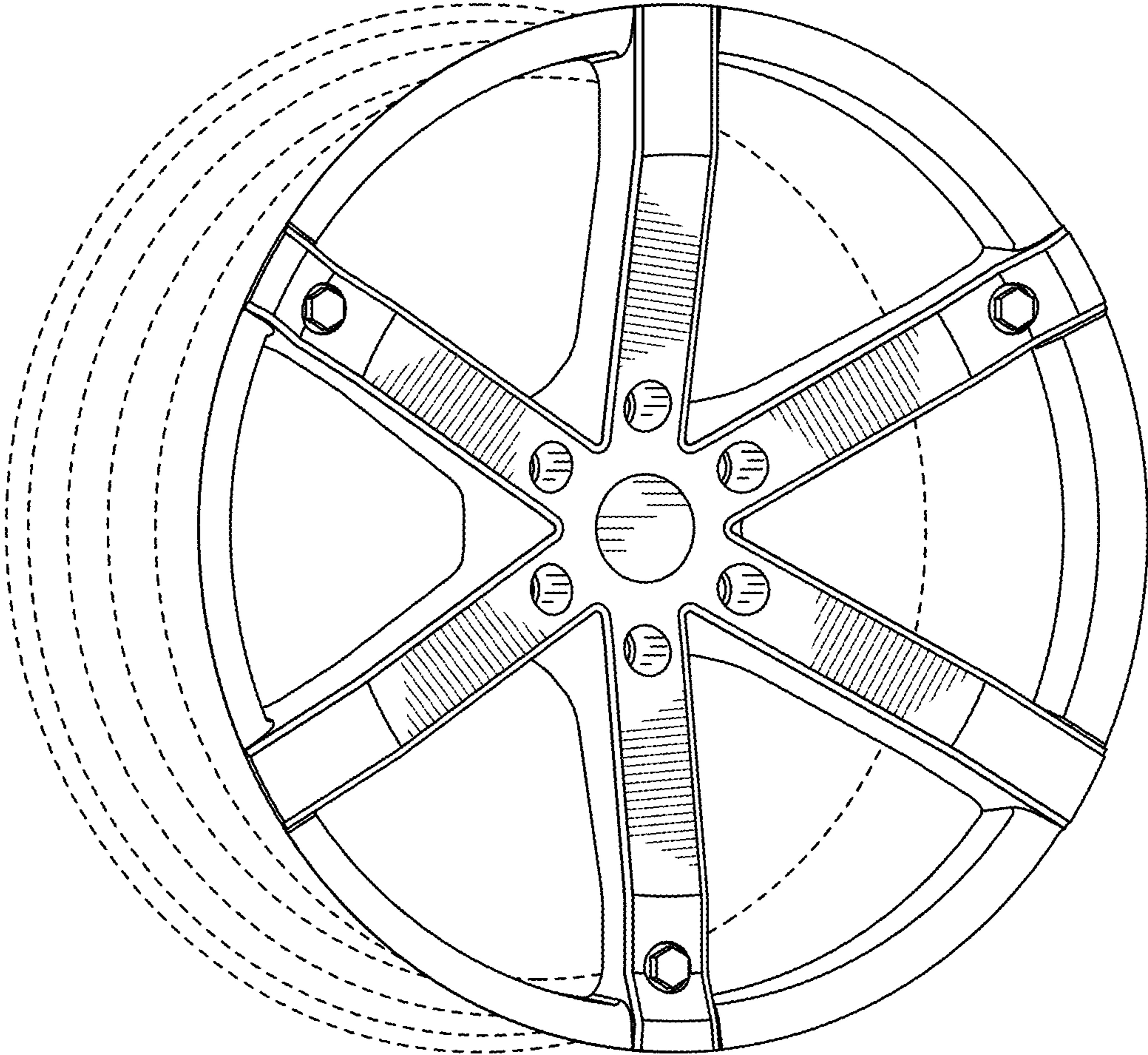


FIG.2