



US00D776596S

(12) **United States Design Patent**
Wolff et al.

(10) **Patent No.:** **US D776,596 S**
(45) **Date of Patent:** **** Jan. 17, 2017**

- (54) **VEHICLE WHEEL**
- (71) Applicant: **Ford Global Technologies, LLC**,
Dearborn, MI (US)
- (72) Inventors: **Max Wolff**, Birmingham, MI (US);
Solomon Song, Farmington Hills, MI
(US); **Soohyoung Kim**, Northville, MI
(US)
- (73) Assignee: **Ford Global Technologies, LLC**,
Dearborn, MI (US)
- (**) Term: **15 Years**
- (21) Appl. No.: **29/544,873**
- (22) Filed: **Nov. 6, 2015**
- (51) **LOC (10) Cl.** **12-16**
- (52) **U.S. Cl.**
USPC **D12/211**
- (58) **Field of Classification Search**
USPC D12/204, 205, 206, 207, 208, 209, 210,
D12/211, 212, 213
CPC B60B 7/00; B60B 7/01; B60B 7/02;
B60B 7/04; B60B 7/06; B60B 3/02; B60B
3/04; B60B 3/06; B60B 3/10; B60B 1/00;
B60B 1/08; B60B 1/10; B60B 1/12
See application file for complete search history.

D655,662 S *	3/2012	Stucki	D12/211
D673,103 S	12/2012	Song et al.	
D713,316 S	9/2014	Song et al.	
D718,206 S	11/2014	Song et al.	
D726,625 S *	4/2015	Gallert	D12/211
D727,828 S *	4/2015	Amezketta	D12/211
D746,211 S *	12/2015	Carter	D12/211
D754,050 S *	4/2016	Rueckheim	D12/211
D763,161 S *	8/2016	Morgenstern	D12/211
D765,000 S *	8/2016	Song	D12/209

OTHER PUBLICATIONS

<https://www.youtube.com/watch?v=88r2MX1oCMo>—Published
Nov. 19, 2015.*
<https://www.youtube.com/watch?v=2RsaSz-Ub8M>—Published
Oct. 30, 2015.*
<http://www.fordinsideneews.com> 2017 Lincoln MKZ on the streets,
dated Apr. 15, 2015.
<http://www.caranddriver.com/news/2017-lincoln-mkz-spy-photos->
news by: Alexander Stoklosa dated May 2015.

* cited by examiner

Primary Examiner — Manpreet Matharu
Assistant Examiner — Martin Tehrani
(74) *Attorney, Agent, or Firm* — Damian Porcari

(57) **CLAIM**

The ornamental design for a vehicle wheel, as shown.

DESCRIPTION

FIG. 1 is a top perspective view of a vehicle wheel, showing
our new design; and,
FIG. 2 is a front elevational view thereof.

1 Claim, 2 Drawing Sheets

- (56) **References Cited**
U.S. PATENT DOCUMENTS
D464,009 S * 10/2002 Laengerer D12/211
D593,022 S * 5/2009 Forster D12/211

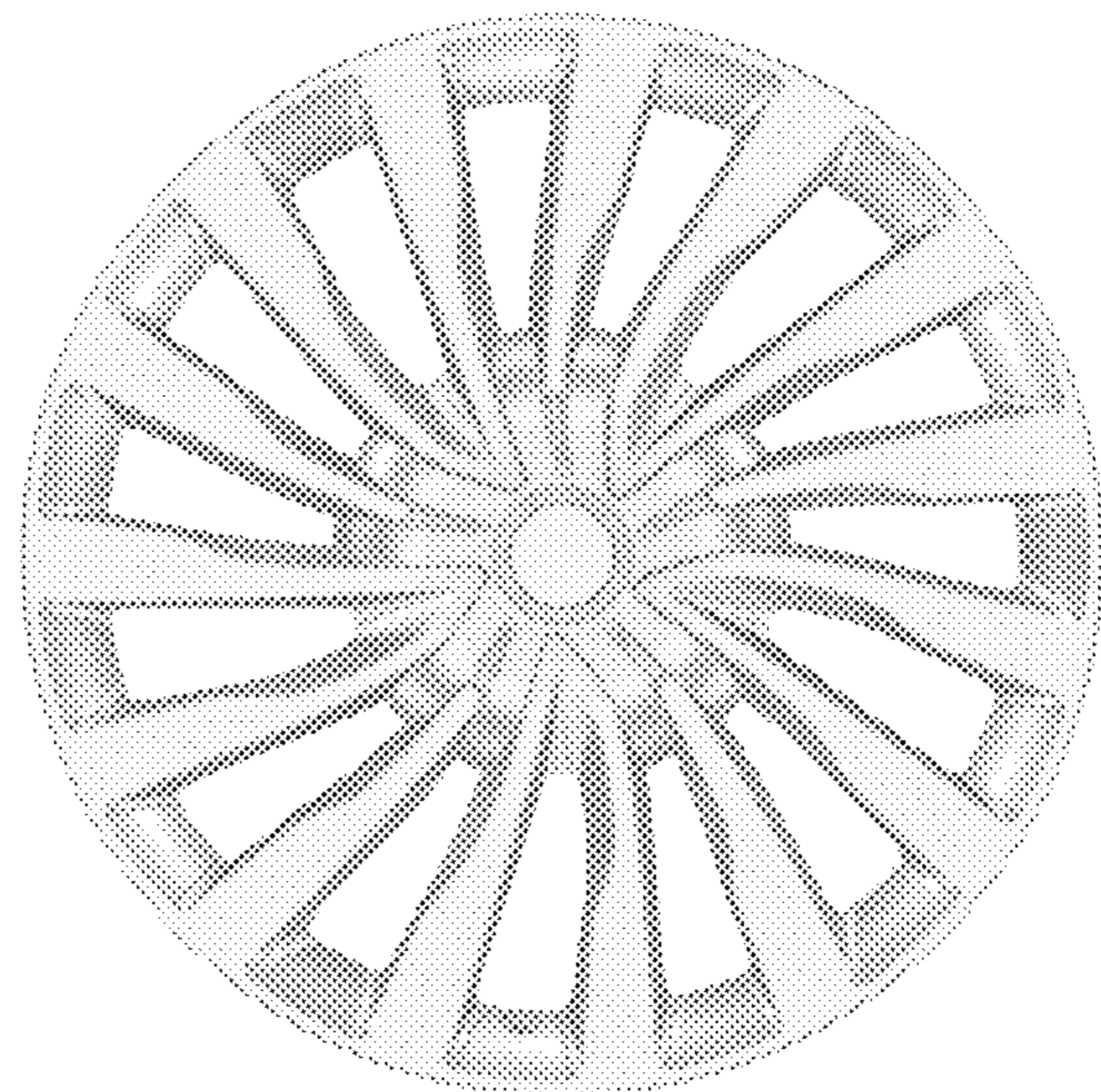
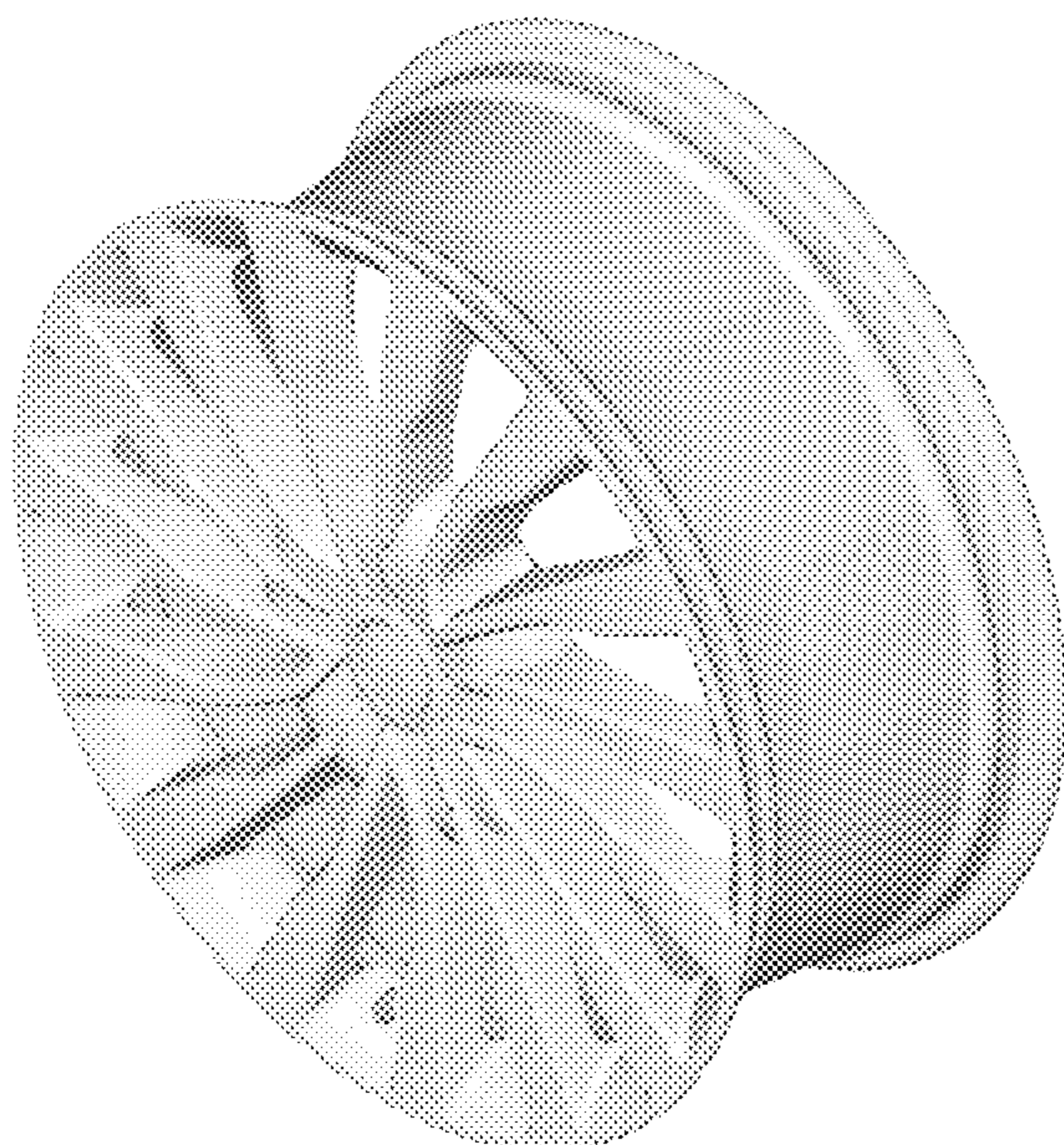




Figure 1

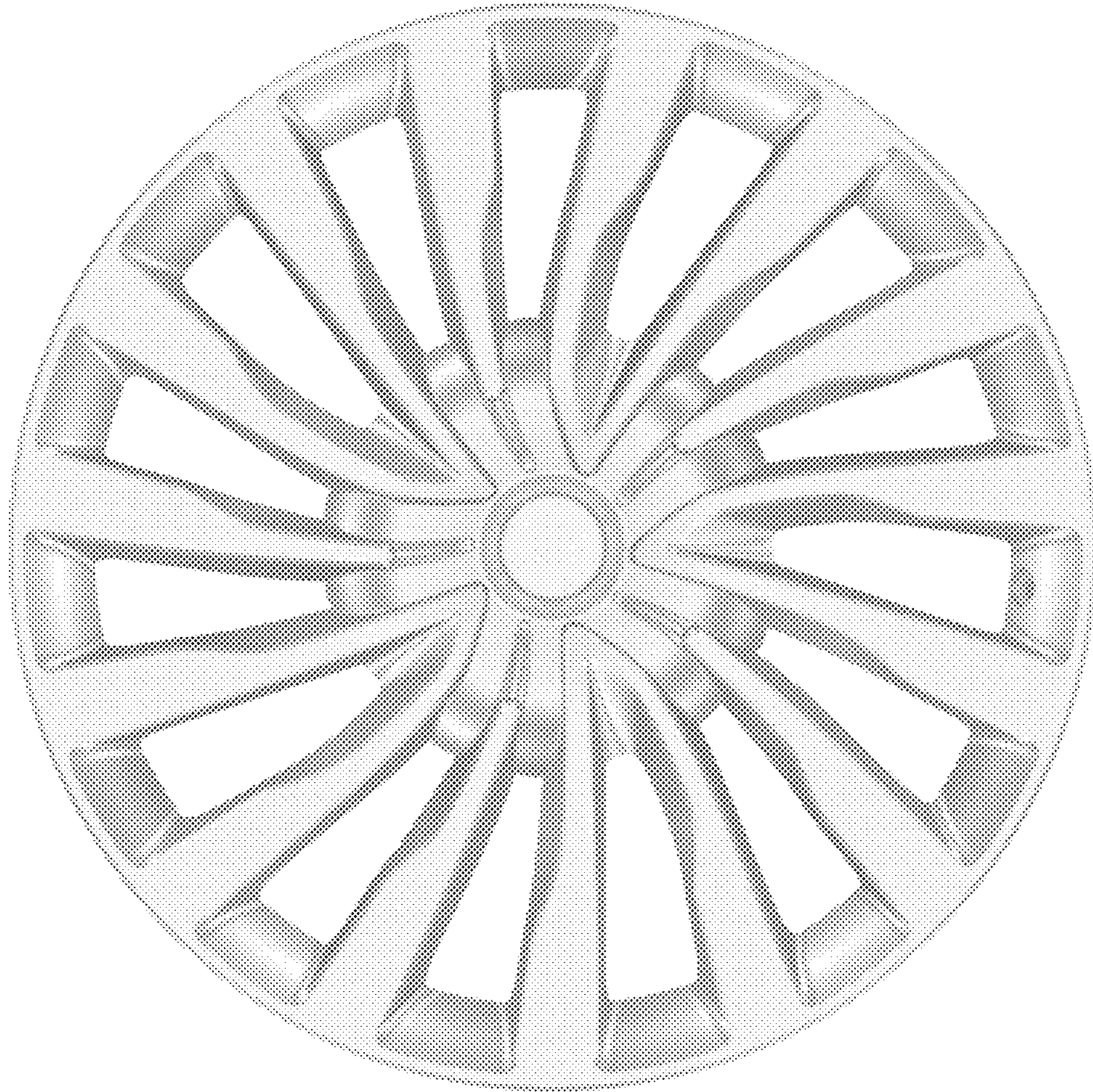


Figure 2