

US00D776593S

(12) **United States Design Patent**  
**Schneider**

(10) **Patent No.:** **US D776,593 S**  
(45) **Date of Patent:** **\*\* Jan. 17, 2017**

- (54) **REAR DOOR FOR A VEHICLE**
- (71) Applicant: **Bayerische Motoren Werke Aktiengesellschaft, Munich (DE)**
- (72) Inventor: **Alexander Schneider, Munich (DE)**
- (73) Assignee: **Bayerische Motoren Werke Aktiengesellschaft, Munich (DE)**

D678,154 S *	3/2013	Musk	296/146.9
D695,661 S *	12/2013	Asano	D12/196
D699,654 S *	2/2014	Okue	D12/196
D700,545 S *	3/2014	Borkert	D12/92
D700,870 S *	3/2014	Jevremovic	D12/92
D702,152 S *	4/2014	Borkert	D12/92
D704,100 S *	5/2014	Scheinhutte	D12/92
D705,149 S *	5/2014	Sakae	D12/196
D712,790 S *	9/2014	Scheinhutte	D12/92

(Continued)

(\*\*) Term: **14 Years**

**FOREIGN PATENT DOCUMENTS**

(21) Appl. No.: **29/518,115**

WO DM/082111 5/2014

(22) Filed: **Feb. 20, 2015**

*Primary Examiner* — Rosemary K Tarcza

*Assistant Examiner* — Yolanda Robinson

(30) **Foreign Application Priority Data**

(74) *Attorney, Agent, or Firm* — Crowell & Moring LLP

Aug. 21, 2014 (DE) ..... 40 2014 100 781

(51) **LOC (10) Cl.** ..... **12-16**

(52) **U.S. Cl.**  
USPC ..... **D12/196**

(58) **Field of Classification Search**  
USPC ..... D12/86, 88, 90, 91, 92, 181, 184, 196,  
D12/400; D21/424.433, 434; 280/727,  
280/847, 848; 296/181.1, 181.5  
CPC ..... B60J 5/04; B60J 5/0412; B60J 5/0401;  
B62D 25/00; B62D 25/02; B62D 25/08  
See application file for complete search history.

(56) **References Cited**

**U.S. PATENT DOCUMENTS**

D472,863 S *	4/2003	Carroll	D12/196
D558,112 S *	12/2007	Leclercq	D12/196
D579,822 S *	11/2008	Lo	D12/86
D580,331 S *	11/2008	Gueler	D12/196
D593,918 S *	6/2009	Larson	D12/196
D594,383 S *	6/2009	Lo	D12/86
D621,764 S *	8/2010	Huet	D12/196
D631,811 S *	2/2011	Schneider	D12/196
D658,556 S *	5/2012	Hakamata	D12/196

(57) **CLAIM**

The ornamental design for a rear door for a vehicle, as shown and described.

**DESCRIPTION**

This application contains subject matter related to the following co-pending U.S. design patent application: Application Ser. No. 29/518,111, filed herewith and entitled "Vehicle, Toy, and/or Replicas Thereof".

FIG. 1 is a front view of a rear door for a vehicle according to the design;

FIG. 2 is a left perspective view thereof;

FIG. 3 is a right perspective view thereof;

FIG. 4 is a left side view thereof;

FIG. 5 is a right side view thereof;

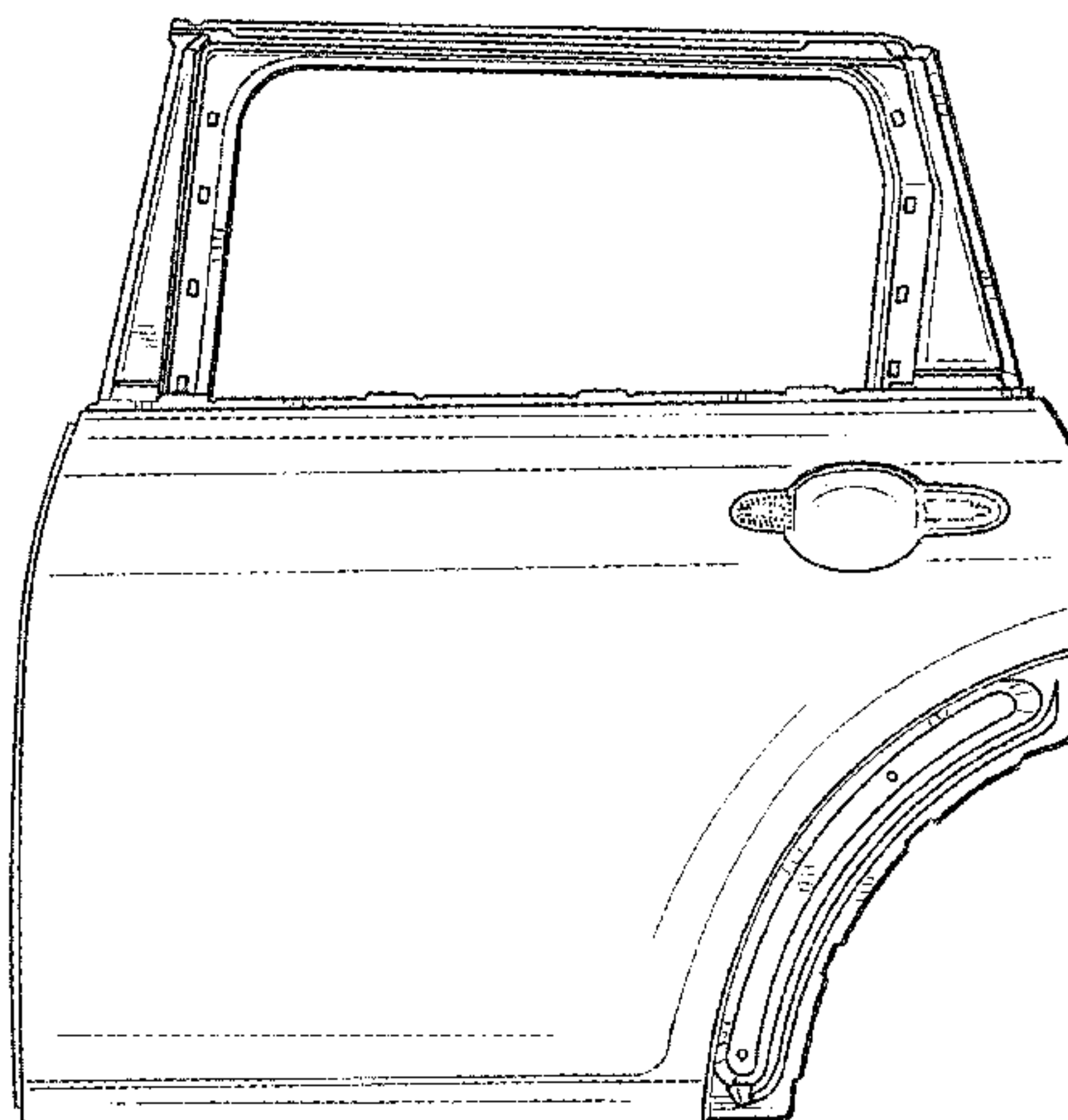
FIG. 6 is a top view thereof;

FIG. 7 is a bottom view thereof; and,

FIG. 8 is a rear view thereof.

The broken lines in the drawings illustrate environmental subject matter only and form no part of the claimed design.

**1 Claim, 7 Drawing Sheets**



(56)

**References Cited**

U.S. PATENT DOCUMENTS

D712,791 S \* 9/2014 Scheinhutte ..... D12/92  
D713,296 S \* 9/2014 Gruner ..... D12/86  
2011/0266831 A1\* 11/2011 Kalisz ..... B32B 9/02  
296/187.01

\* cited by examiner

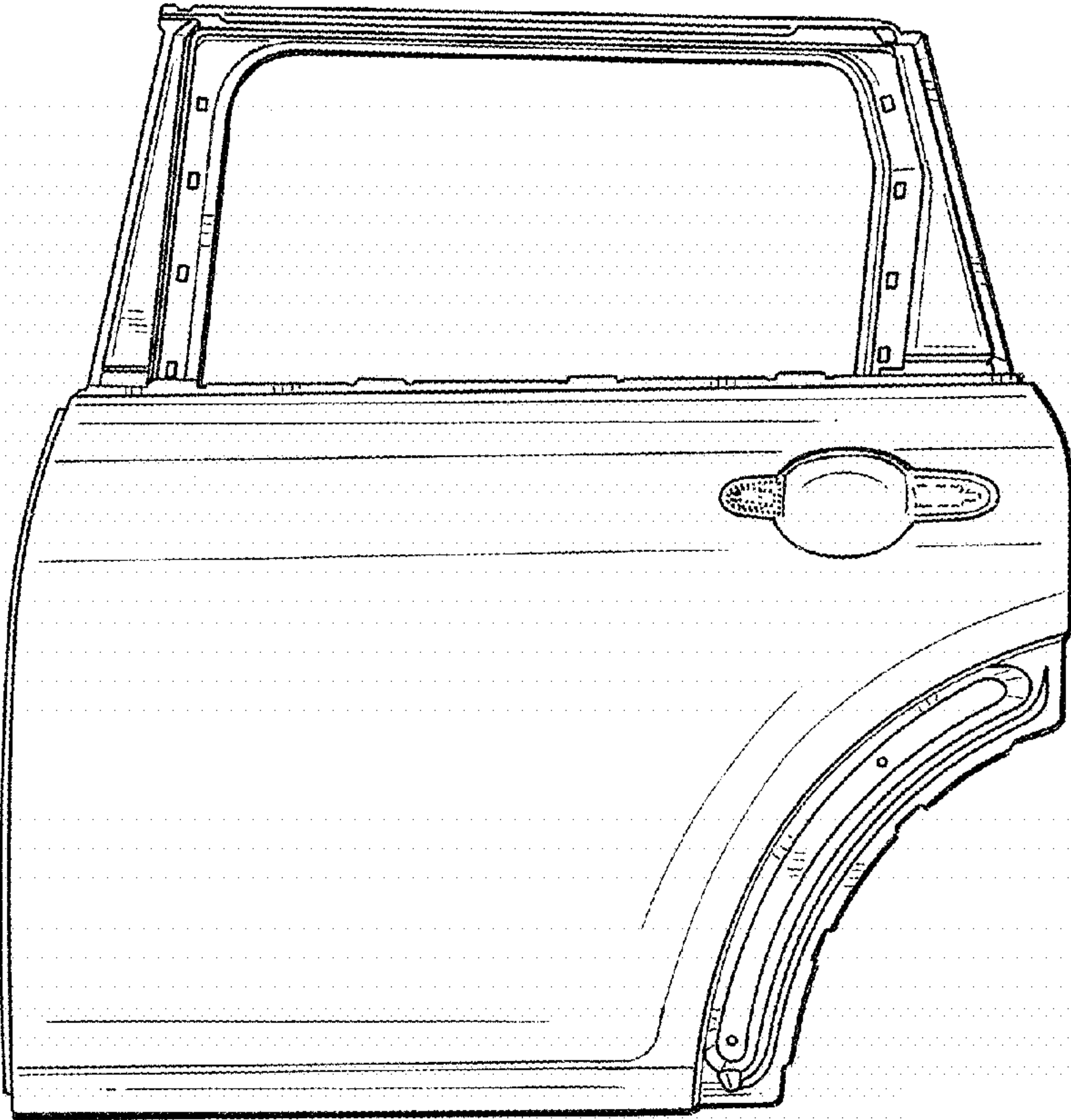


FIG. 1

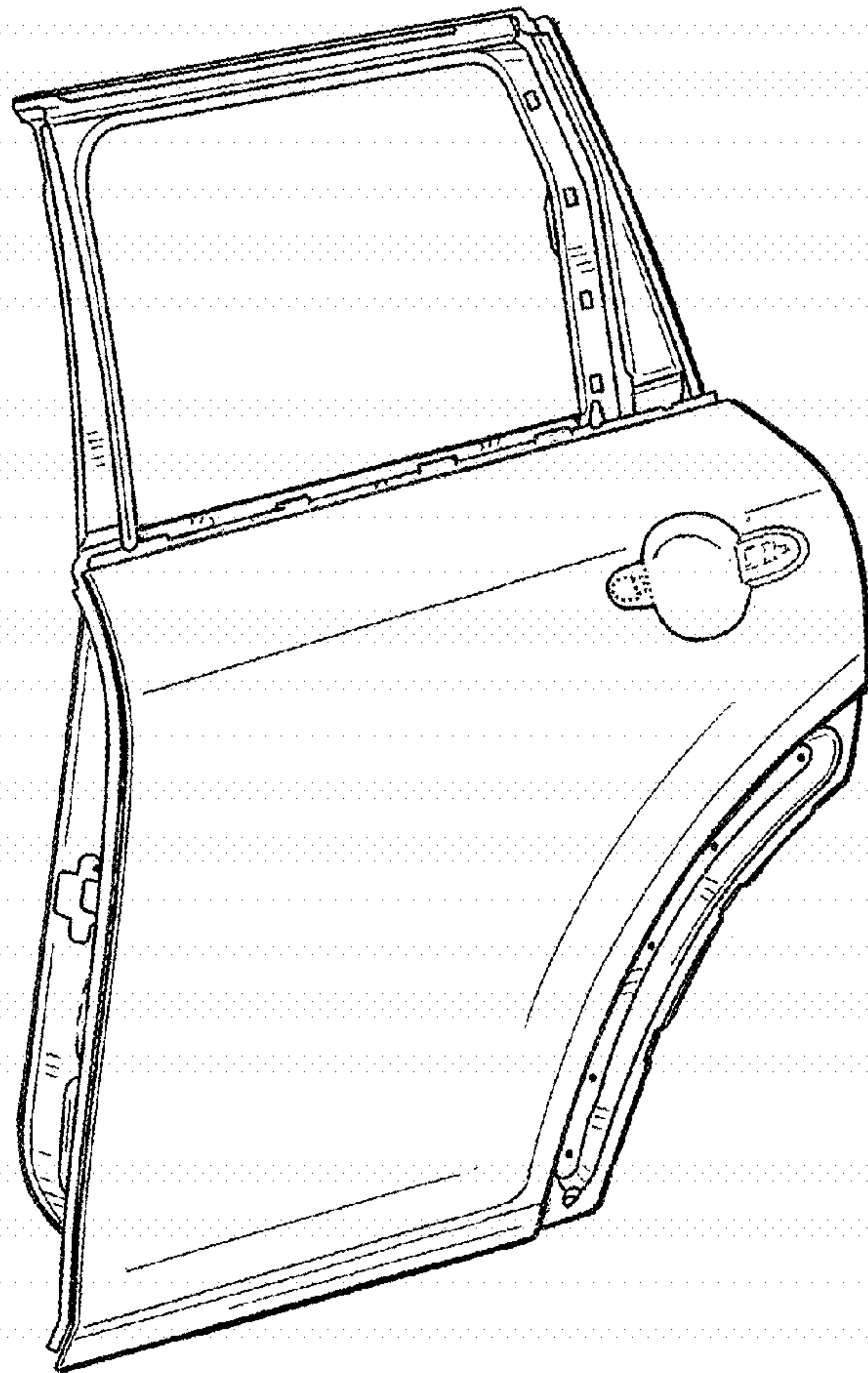


FIG. 2

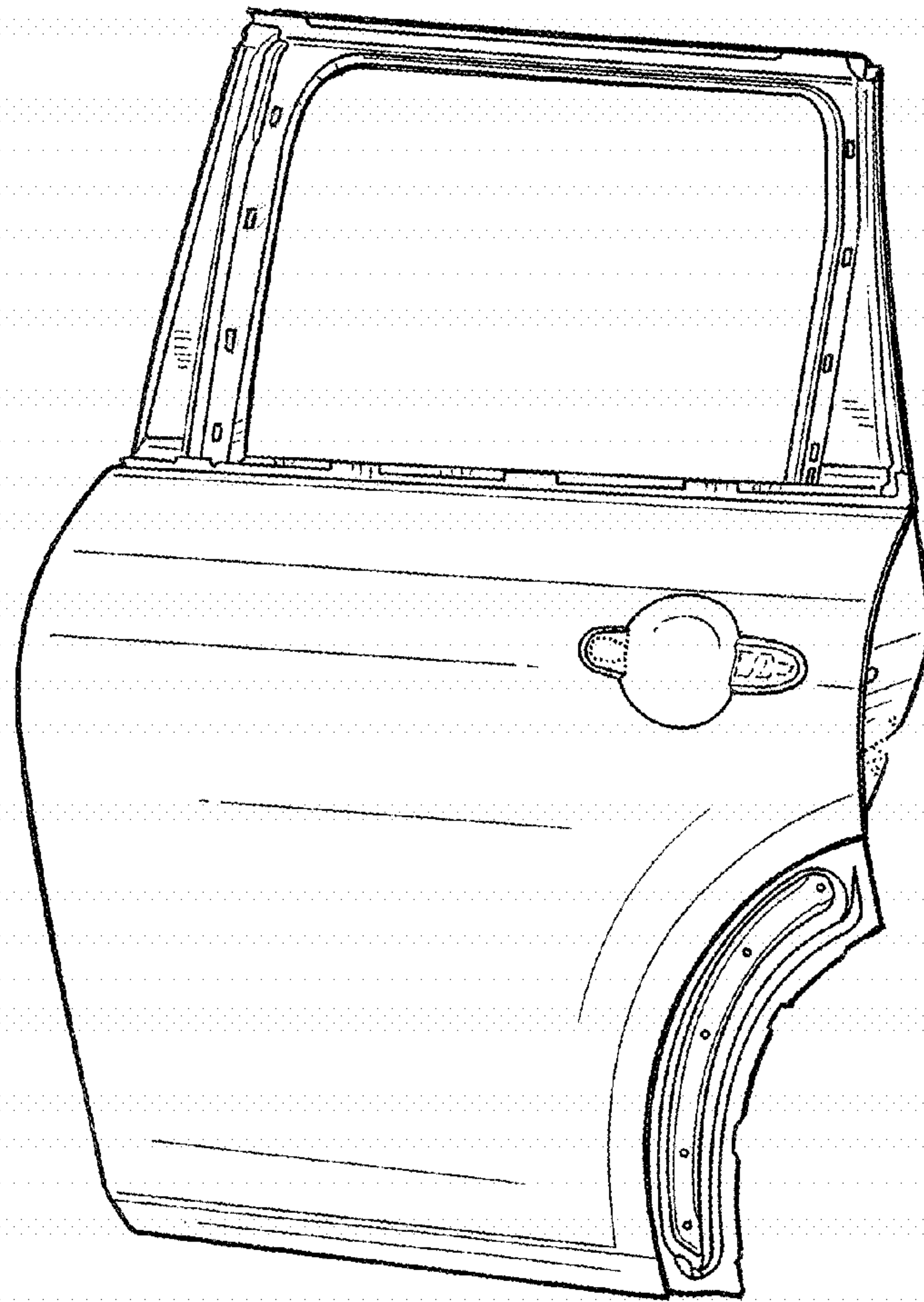


FIG. 3



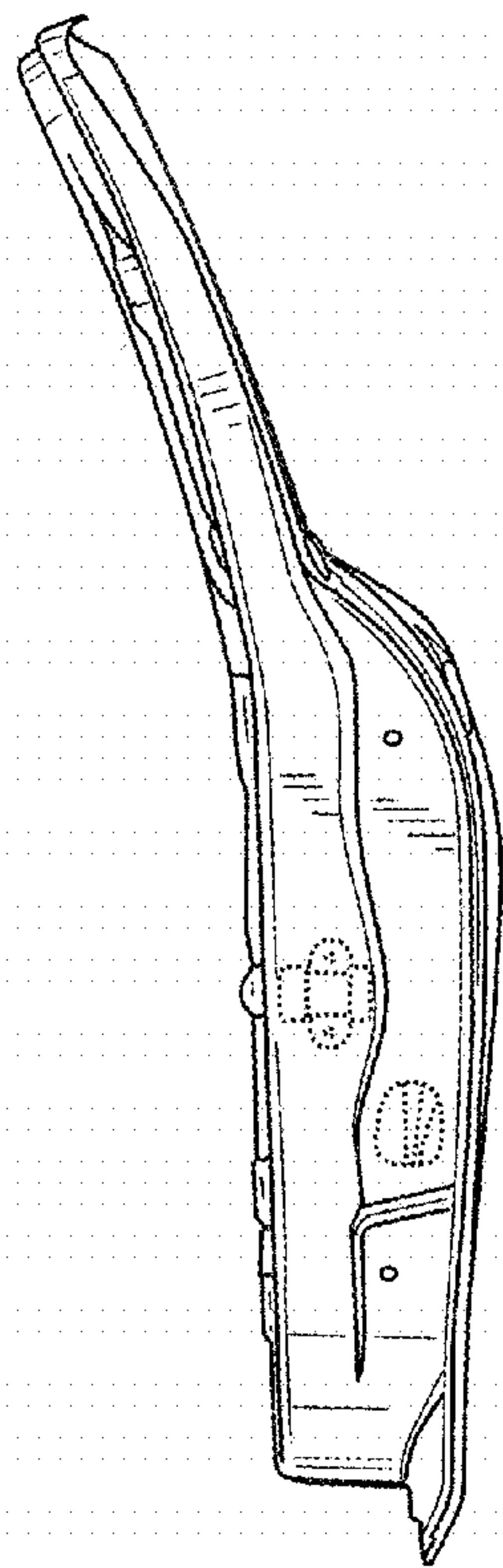


FIG. 4

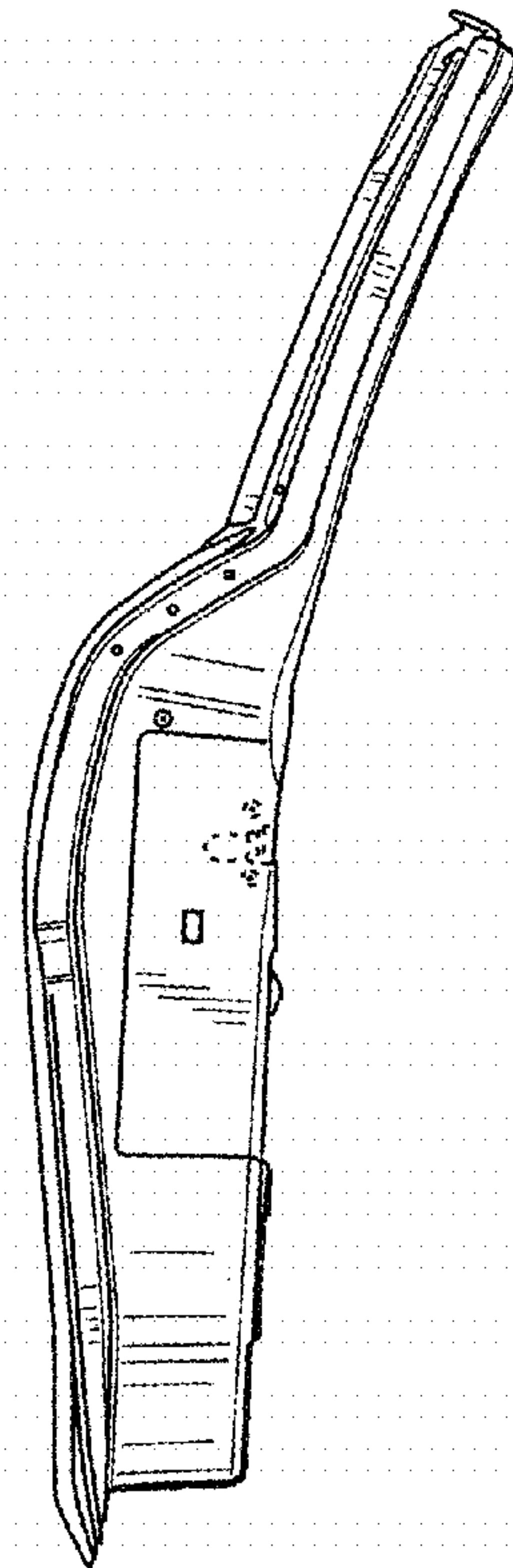


FIG. 5

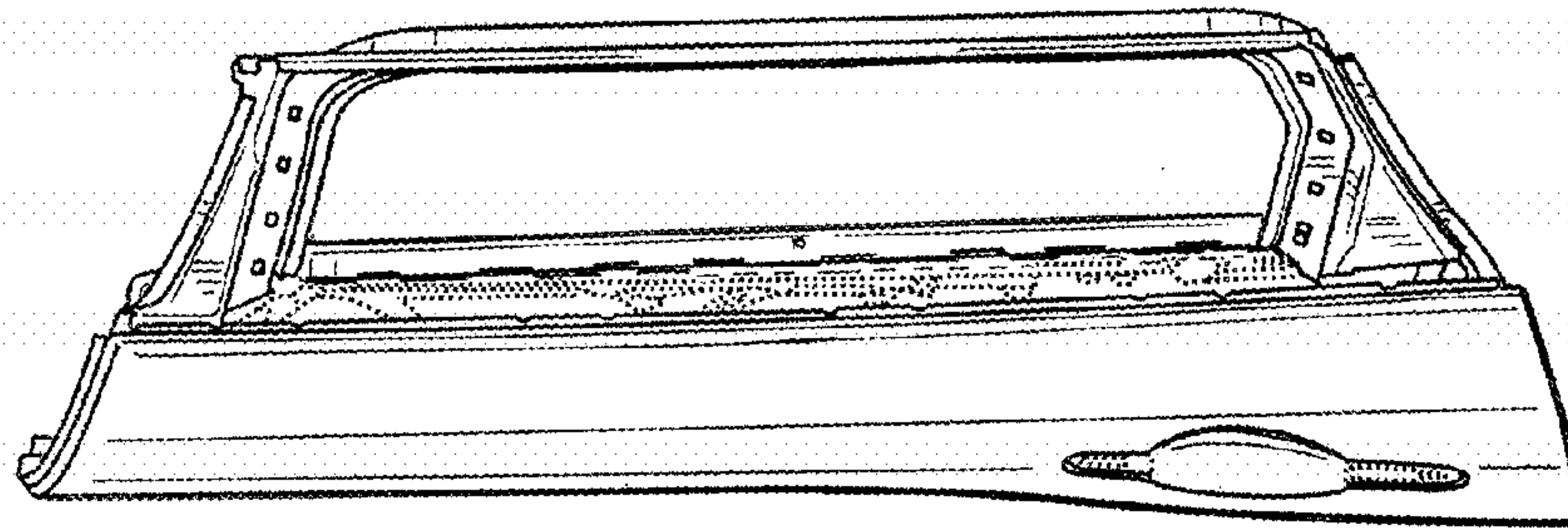


FIG. 6

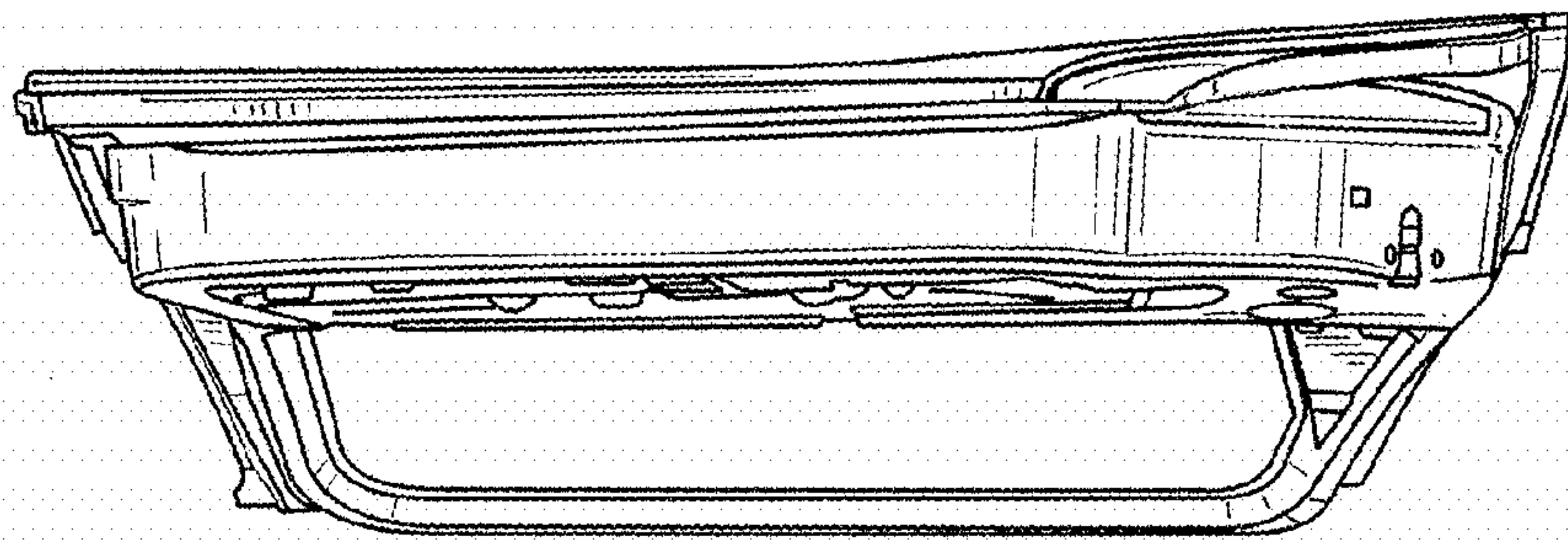


FIG. 7



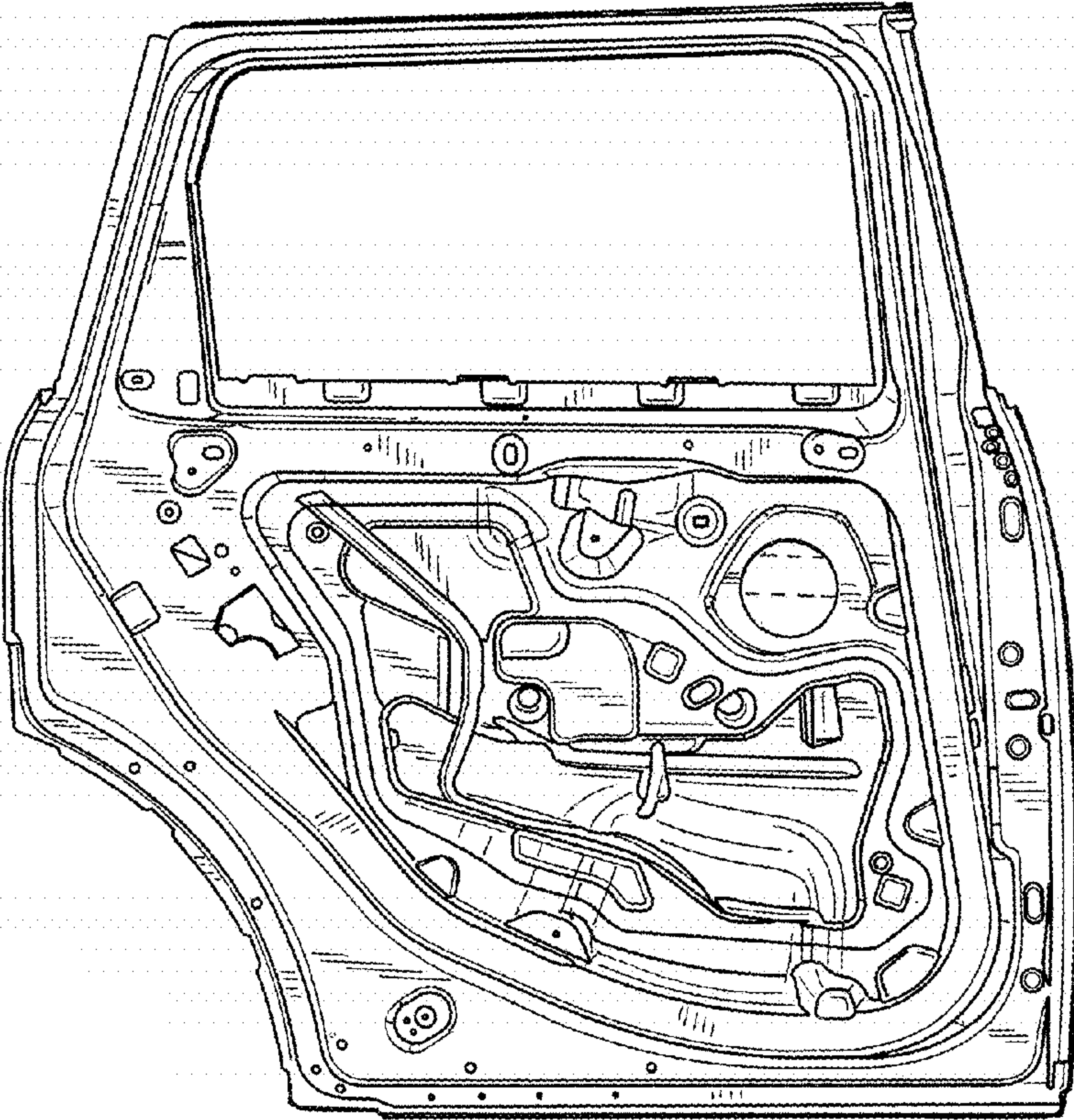


FIG. 8