



US00D776590S

(12) **United States Design Patent**  
**Womack, Sr.**

(10) **Patent No.:** **US D776,590 S**

(45) **Date of Patent:** **\*\* Jan. 17, 2017**

- (54) **DASHBOARD SWITCH UNIT**
- (71) Applicant: **Bernard Womack, Sr.**, Houston, TX  
(US)
- (72) Inventor: **Bernard Womack, Sr.**, Houston, TX  
(US)
- (\*\*) Term: **15 Years**
- (21) Appl. No.: **29/505,186**
- (22) Filed: **Jul. 14, 2015**
- (51) **LOC (10) Cl.** ..... **12-16**
- (52) **U.S. Cl.**  
USPC ..... **D12/192**
- (58) **Field of Classification Search**  
USPC ..... D12/187, 188, 190, 191, 192; D19/17,  
D19/18; D10/65, 67, 68; D34/31, 35  
CPC ..... E01H 5/00; H10H 2231/032; B60R 1/04;  
B60R 1/12; G02F 1/1333  
See application file for complete search history.

D358,614 S *	5/1995	Hughes	.....	D20/18
5,497,325 A *	3/1996	Mine	.....	B60G 17/0165 280/5.518
D378,298 S *	3/1997	Steinberger	.....	D14/257
D506,715 S *	6/2005	Magnussen	.....	D12/192
D758,936 S *	6/2016	Roth	.....	D12/187
2009/0096937 A1 *	4/2009	Bauer	.....	B60R 1/12 348/739
2010/0211253 A1 *	8/2010	Morais Dos Santos	.....	B60G 17/06 701/31.4

\* cited by examiner

*Primary Examiner* — Phillip S Hyder

(74) *Attorney, Agent, or Firm* — Paul R. Martin

(57) **CLAIM**

The ornamental design for a dashboard switch unit, as shown and described.

**DESCRIPTION**

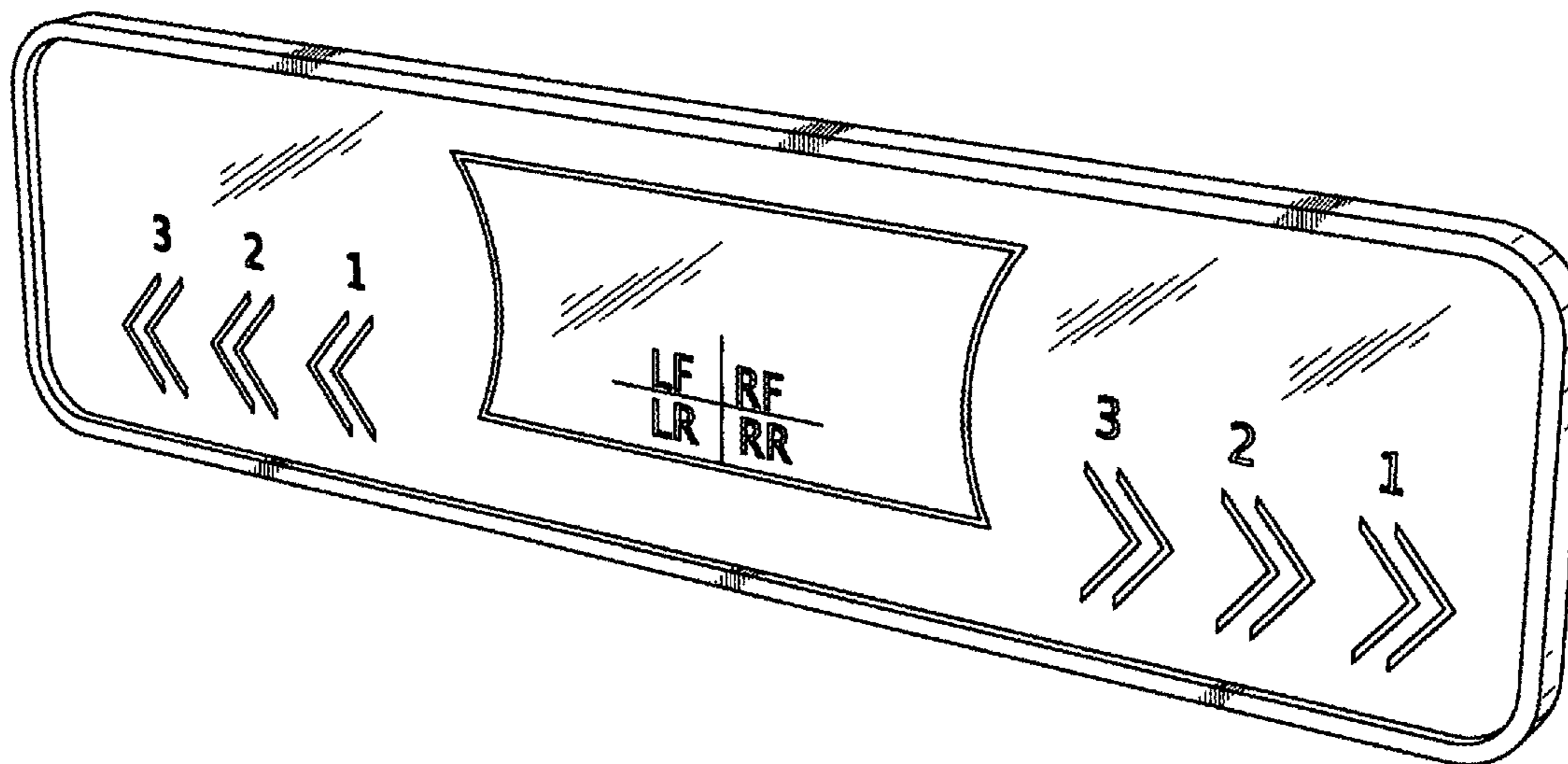
FIG. 1 is a perspective view of the dashboard switch unit of my new design.  
 FIG. 2 is a top plan view thereof.  
 FIG. 3 is a bottom plan view thereof.  
 FIG. 4 is an elevational view of the left edge thereof. The elevational view of the right edge is a mirror image thereof; and,  
 FIG. 5 is an elevational view of the front edge thereof. The elevational view of the rear edge is a mirror image thereof.

**1 Claim, 3 Drawing Sheets**

(56) **References Cited**

**U.S. PATENT DOCUMENTS**

2,233,732 A	3/1942	Campbell	
2,366,418 A	1/1945	Makrenos	
2,442,881 A	6/1948	Soskin	
2,619,319 A	11/1952	Lucas	
4,630,904 A *	12/1986	Pastore	..... B60R 1/12 359/636



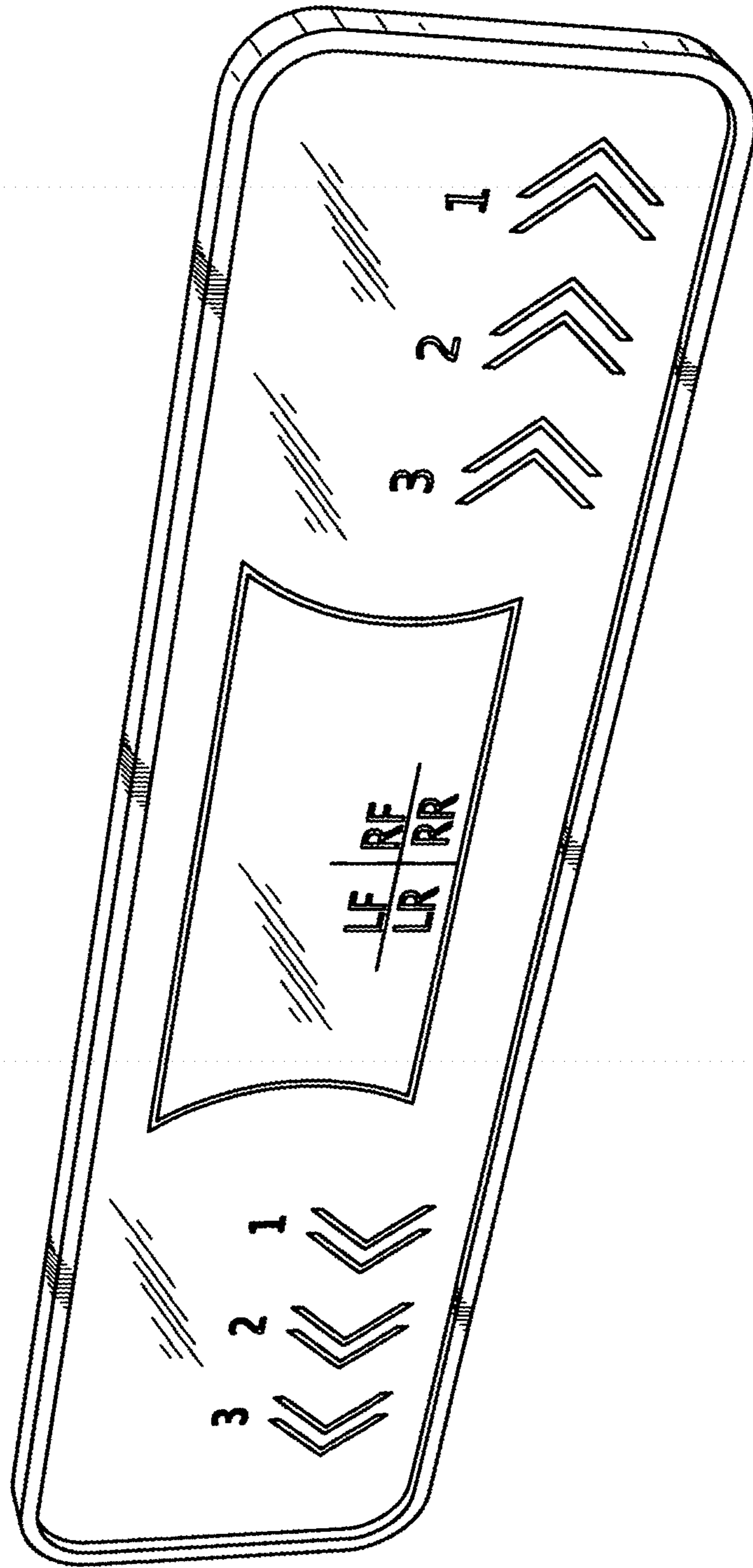


FIG. 1

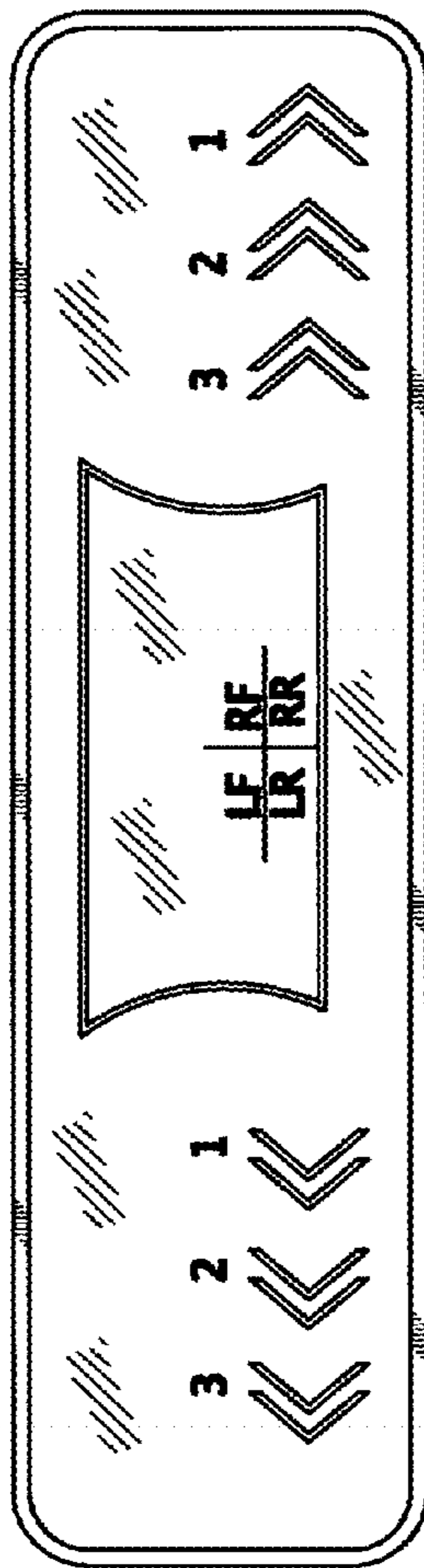


FIG. 2

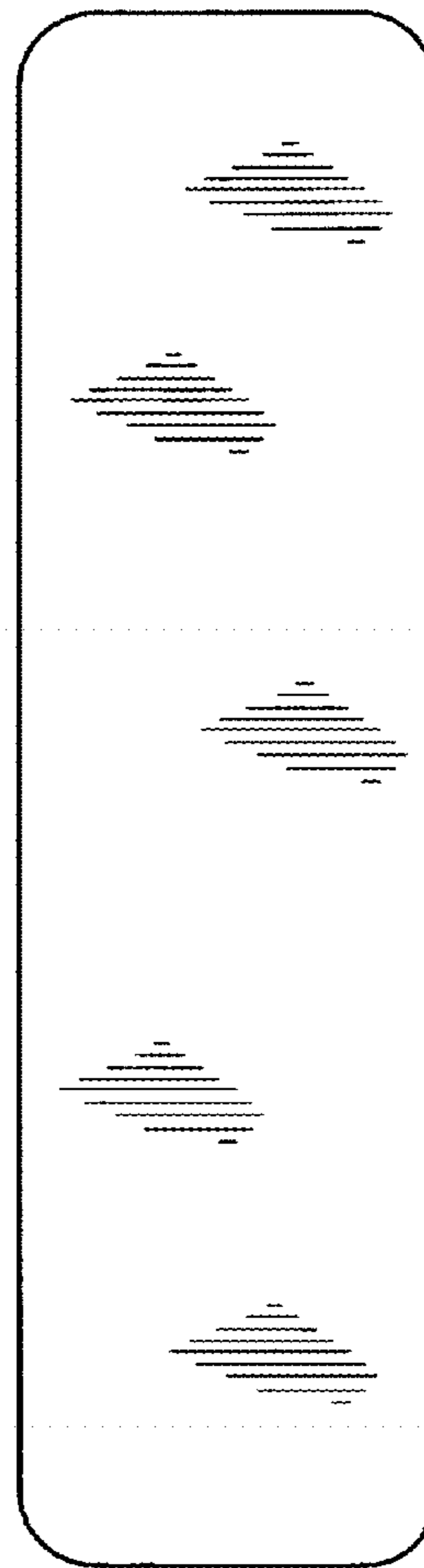


FIG. 3



FIG. 4



FIG. 5