



US00D776588S

(12) **United States Design Patent** (10) **Patent No.:** **US D776,588 S**
Chen (45) **Date of Patent:** **** Jan. 17, 2017**

- (54) **REARVIEW MIRROR**
- (71) Applicant: **CHRIS CAM INDUSTRY INC.,**
Tainan (TW)
- (72) Inventor: **Cheng-Chung Chen,** Tainan (TW)
- (73) Assignee: **Chris Cam Industry Inc.,** Tainan (TW)
- (**) Term: **15 Years**
- (21) Appl. No.: **29/533,913**
- (22) Filed: **Jul. 23, 2015**
- (51) **LOC (10) Cl.** **12-16**
- (52) **U.S. Cl.**
USPC **D12/187**
- (58) **Field of Classification Search**
USPC D12/187, 188, 189
CPC B60R 1/074; B60R 1/075; B60R 1/078;
B60R 1/08; B60R 1/081; B60R 1/082
See application file for complete search history.

7,216,993 B2 *	5/2007	Murray	B60R 1/081	359/841
D545,740 S *	7/2007	Schiavone	D12/187	
D631,804 S *	2/2011	Chen	D12/187	
D709,413 S *	7/2014	Platto	D12/187	
D709,414 S *	7/2014	Platto	D12/187	
D725,015 S *	3/2015	Kovach	D12/187	
2005/0259340 A1 *	11/2005	Fimeri	B60R 1/076	359/879
2006/0103957 A1 *	5/2006	Olijnyk	B60R 1/074	359/872

* cited by examiner

Primary Examiner — Phillip S Hyder
(74) *Attorney, Agent, or Firm* — Rosenberg, Klein & Lee

(57) **CLAIM**

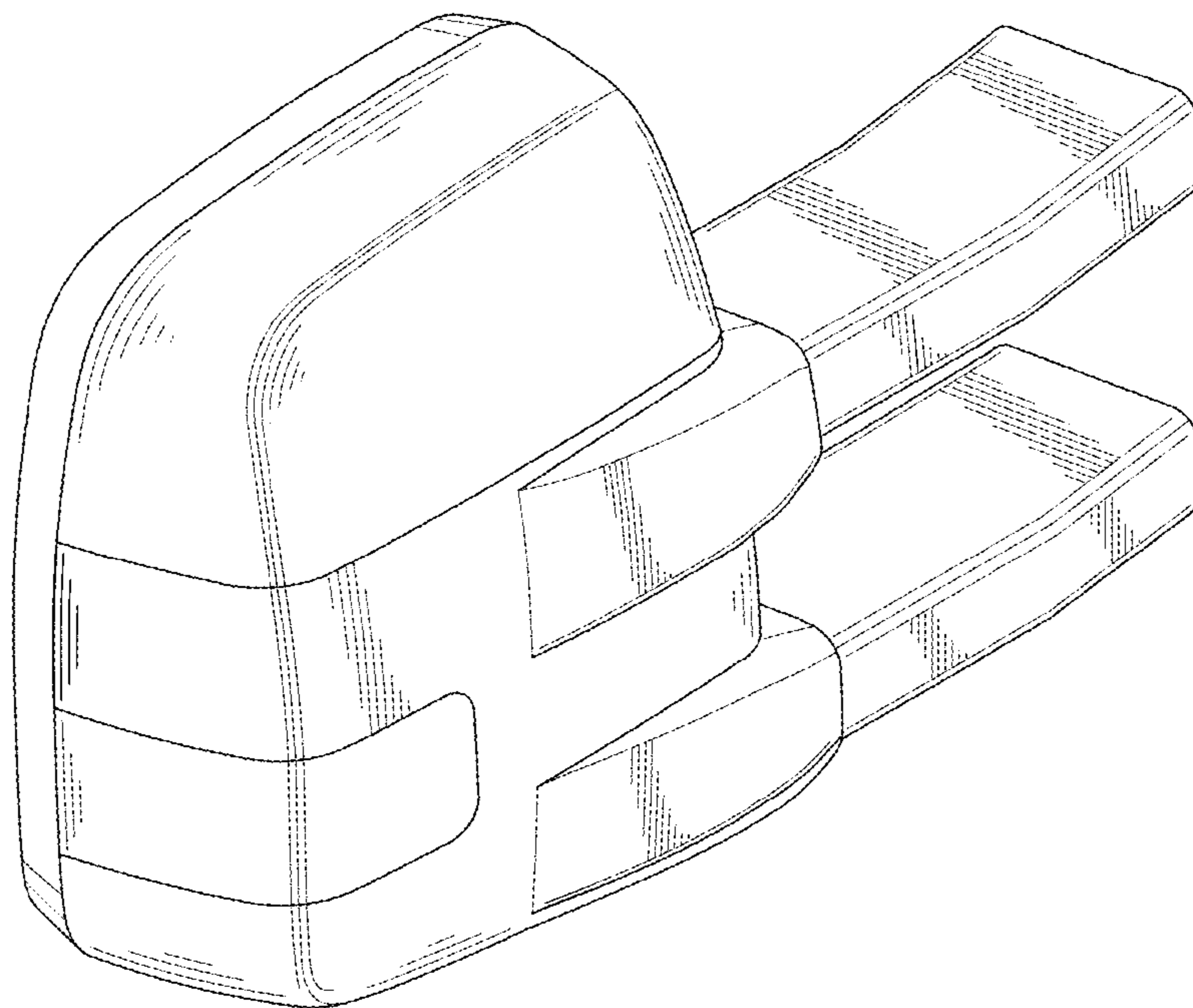
The ornamental design for a rearview mirror, as shown and described.

DESCRIPTION

FIG. 1 is a perspective view of a rearview mirror my new design;
FIG. 2 is a front elevational view thereof;
FIG. 3 is a rear elevational view thereof;
FIG. 4 is a left side elevational view thereof;
FIG. 5 is a right side elevational view thereof;
FIG. 6 is a top plan view thereof; and,
FIG. 7 is a bottom plan view thereof.
The broken lines in FIG. 3 and FIG. 7 depict portions of the rearview mirror in which the design is embodied that are not considered part of the claimed design.

1 Claim, 7 Drawing Sheets

- (56) **References Cited**
U.S. PATENT DOCUMENTS
D489,658 S * 5/2004 Metros D12/187
6,877,868 B2 * 4/2005 Olijnyk B60R 1/078
248/479
6,929,372 B2 * 8/2005 Olijnyk B60R 1/076
359/841
7,172,298 B2 * 2/2007 Olijnyk B60R 1/074
359/841



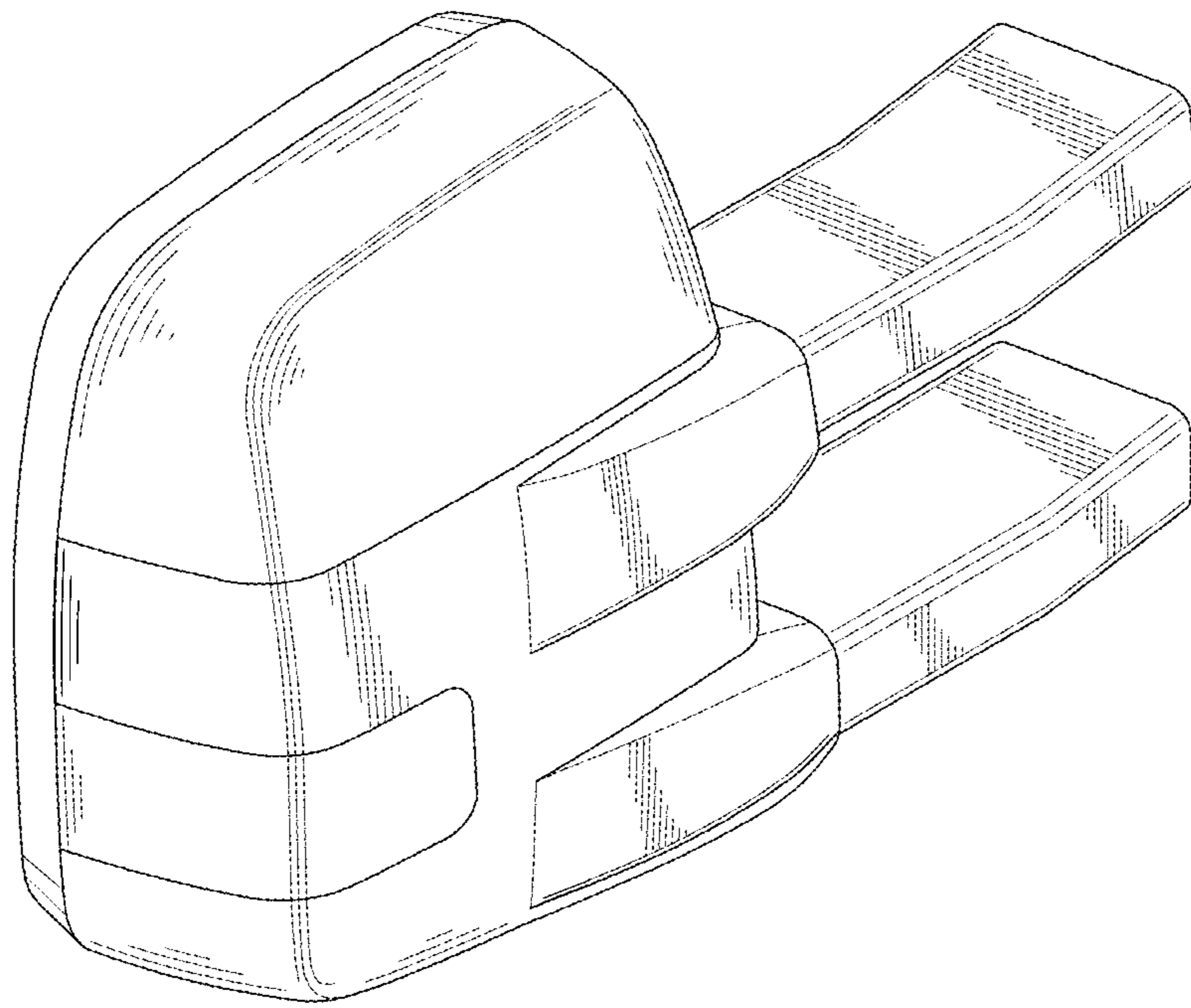


FIG. 1

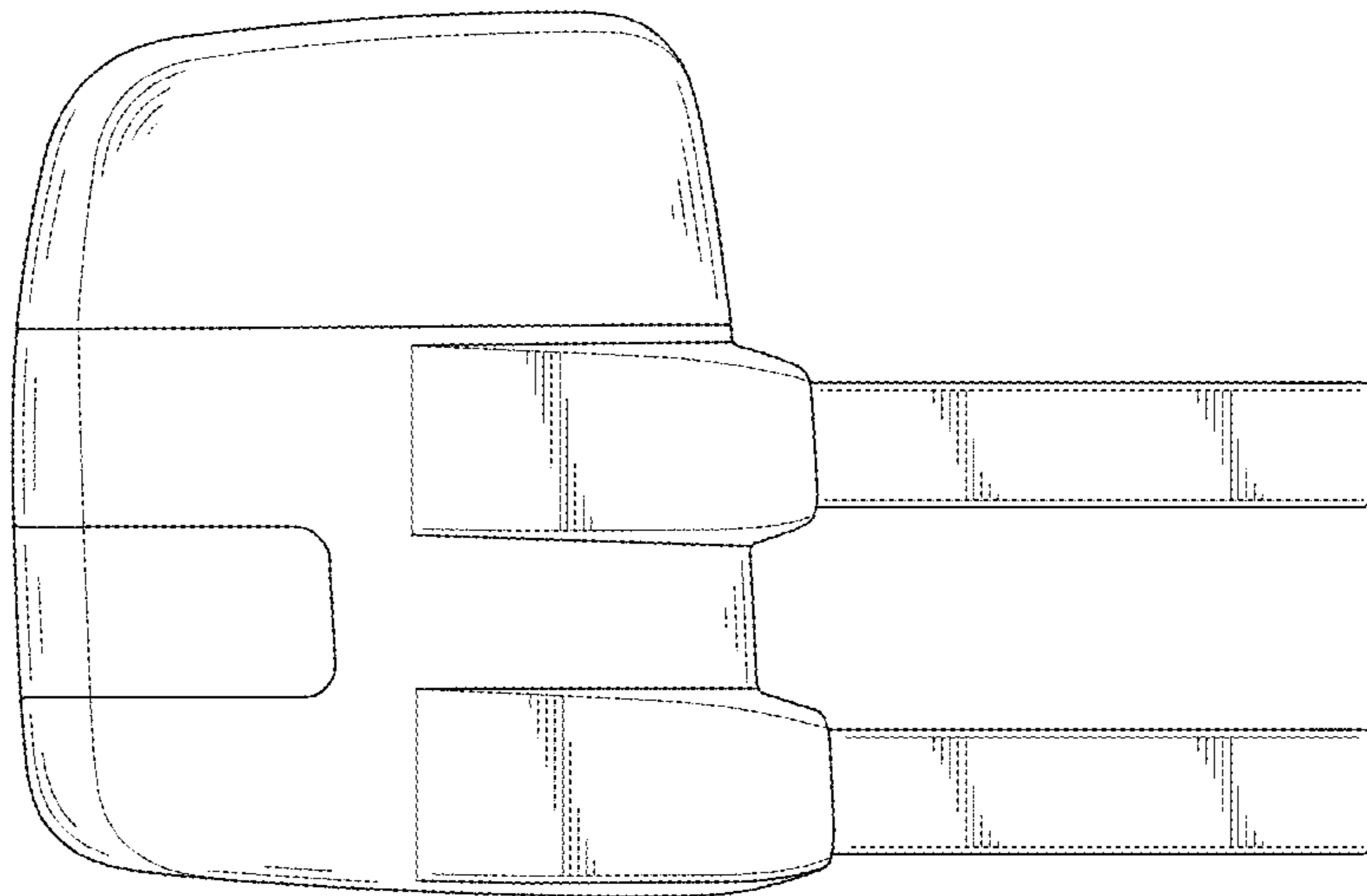


FIG. 2

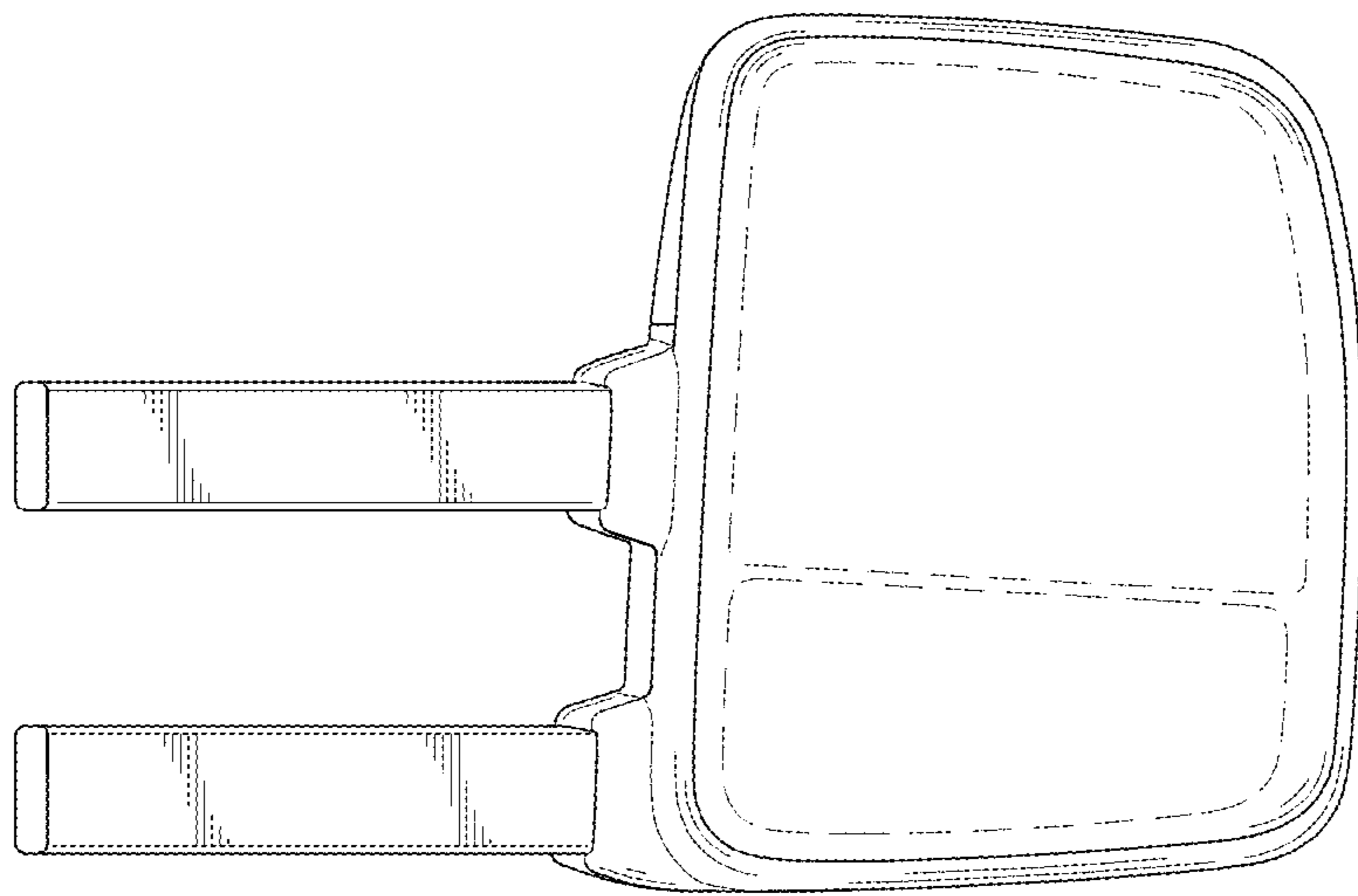


FIG. 3

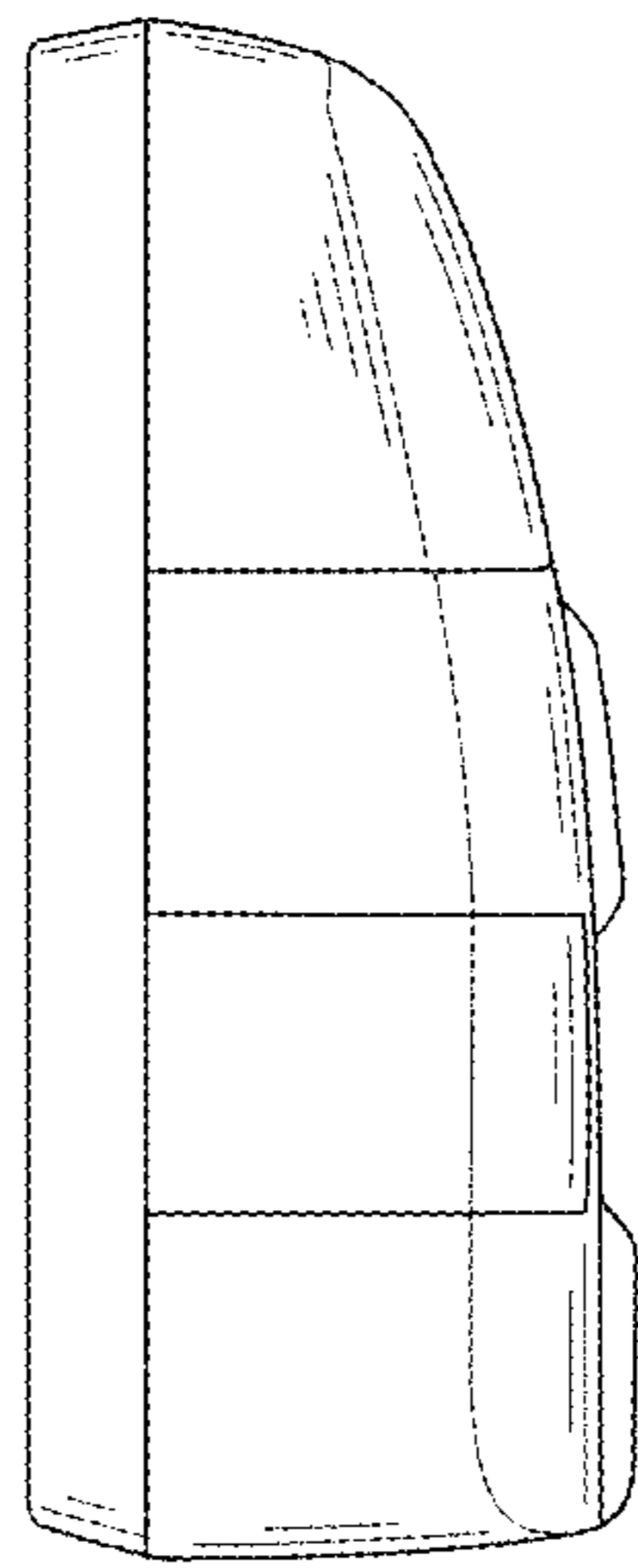


FIG. 4

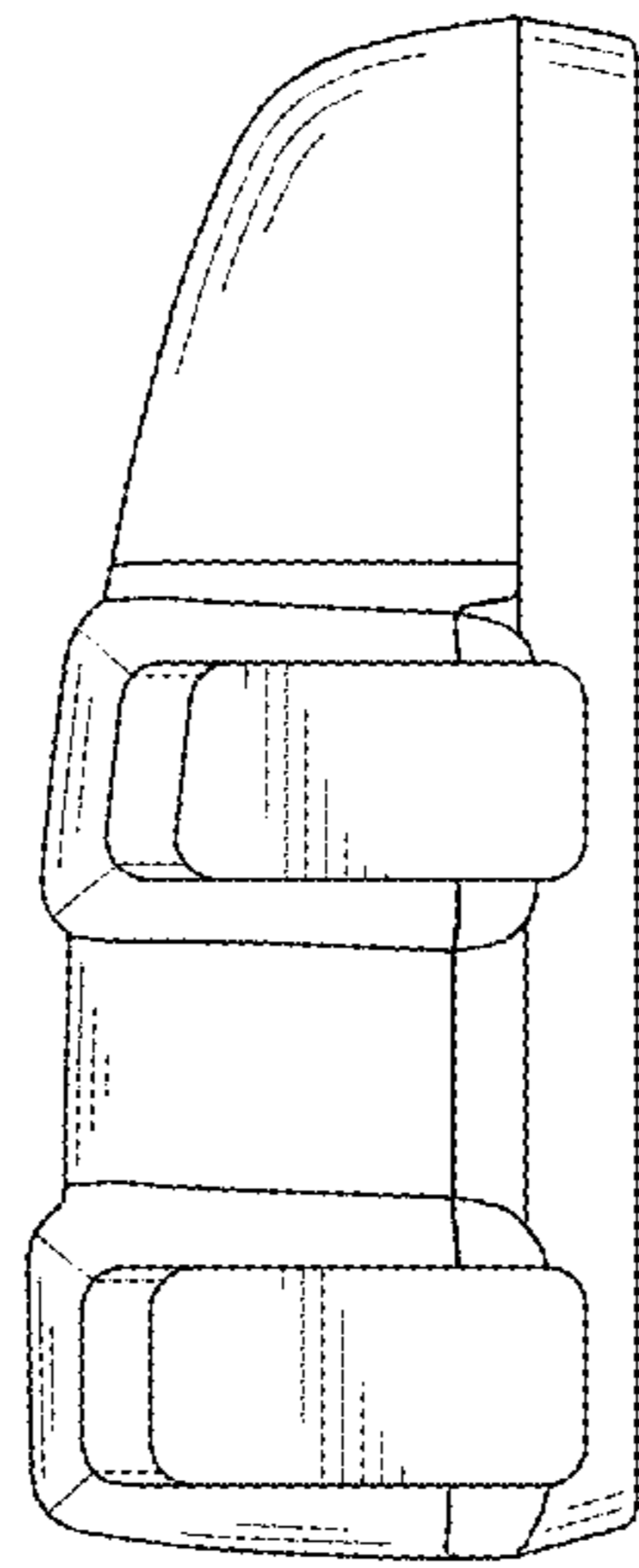


FIG. 5

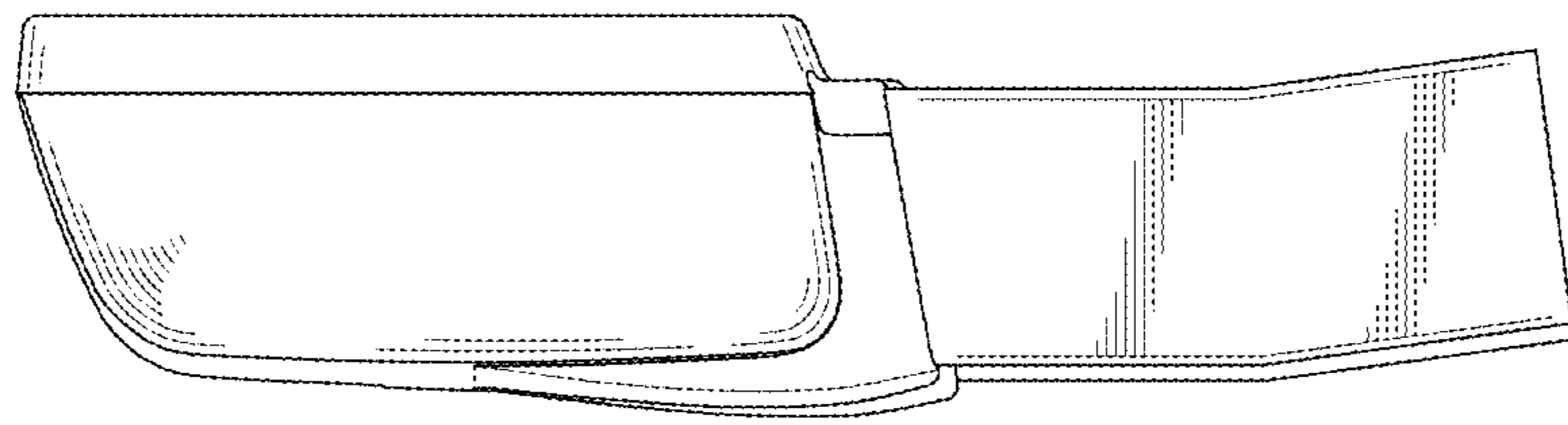


FIG. 6

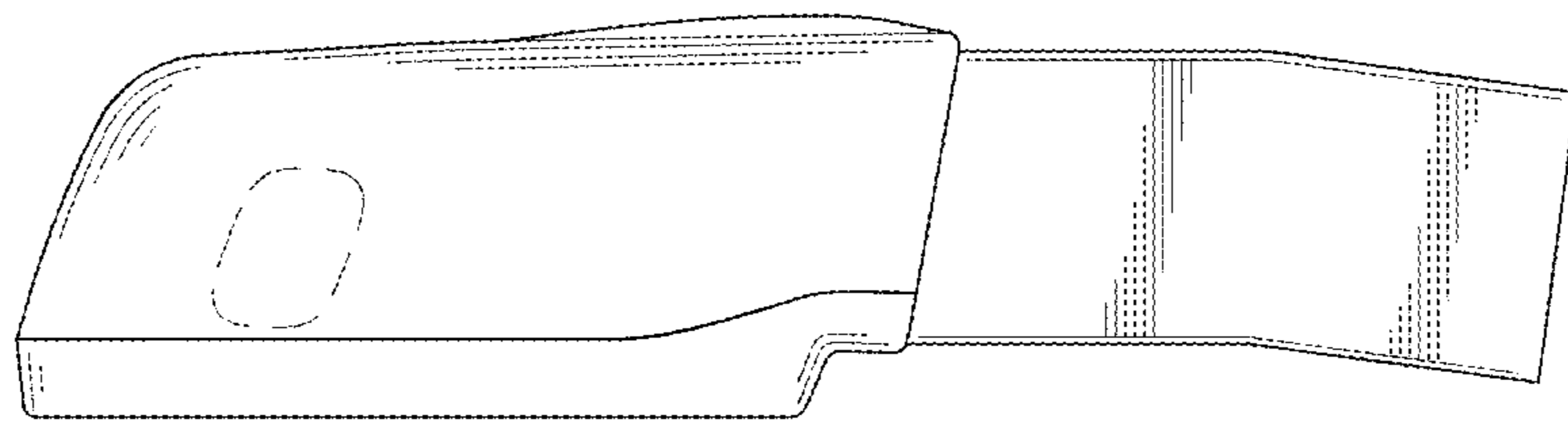


FIG. 7