

US00D776586S

(12) **United States Design Patent**
Schanz et al.

(10) **Patent No.:** **US D776,586 S**
(45) **Date of Patent:** **** Jan. 17, 2017**

(54) **WINDSHIELD**

(71) Applicant: **Touratech AG**, Niedereschach (DE)

(72) Inventors: **Jochen Schanz**, Niedereschach (DE);
Herbert Schwarz,
Villingen-Schwenningen (DE)

(73) Assignee: **Touratech AG** (DE)

(**) Term: **15 Years**

(21) Appl. No.: **29/538,575**

(22) Filed: **Sep. 4, 2015**

(51) **LOC (10) Cl.** **12-08**

(52) **U.S. Cl.**

USPC **D12/182**

(58) **Field of Classification Search**

USPC D12/181, 182, 99, 109, 110; 296/78.1,
296/77.1, 84.1, 96.11, 84; D21/538

CPC B60J 1/00; B60J 1/02; B60J 1/08;
B62J 17/00; B60R 7/00

See application file for complete search history.

(56) **References Cited**

U.S. PATENT DOCUMENTS

- 4,087,110 A * 5/1978 Vetter B62J 17/04
296/78.1
- D283,811 S * 5/1986 Sullivan D12/182
- D284,180 S * 6/1986 Abe D12/182
- D284,181 S * 6/1986 Abe D12/182

(Continued)

Primary Examiner — Rosemary K Tarca

Assistant Examiner — Yolanda Robinson

(74) *Attorney, Agent, or Firm* — Tarolli, Sundheim,
Covell & Tummino LLP

(57) **CLAIM**

We claim the ornamental design for a windshield, as shown and described.

DESCRIPTION

FIG. 1 is a side view of the design in which the dot-dot-dash line defines the bounds of the claimed design and forms no part of the claimed design, and in which the dashed lines are for the purposes of illustrating portions of the design and environmental structure and forms no part of the claimed design.

FIG. 2 is a front view of the design in which the dot-dot-dash line defines the bounds of the claimed design and forms no part of the claimed design, and in which the dashed lines are for the purposes of illustrating portions of the design and forms no part of the claimed design.

FIG. 3 is a rear view of the design in which the dot-dot-dash line defines the bounds of the claimed design and forms no part of the claimed design, and in which the dashed lines are for the purposes of illustrating portions of the design and forms no part of the claimed design.

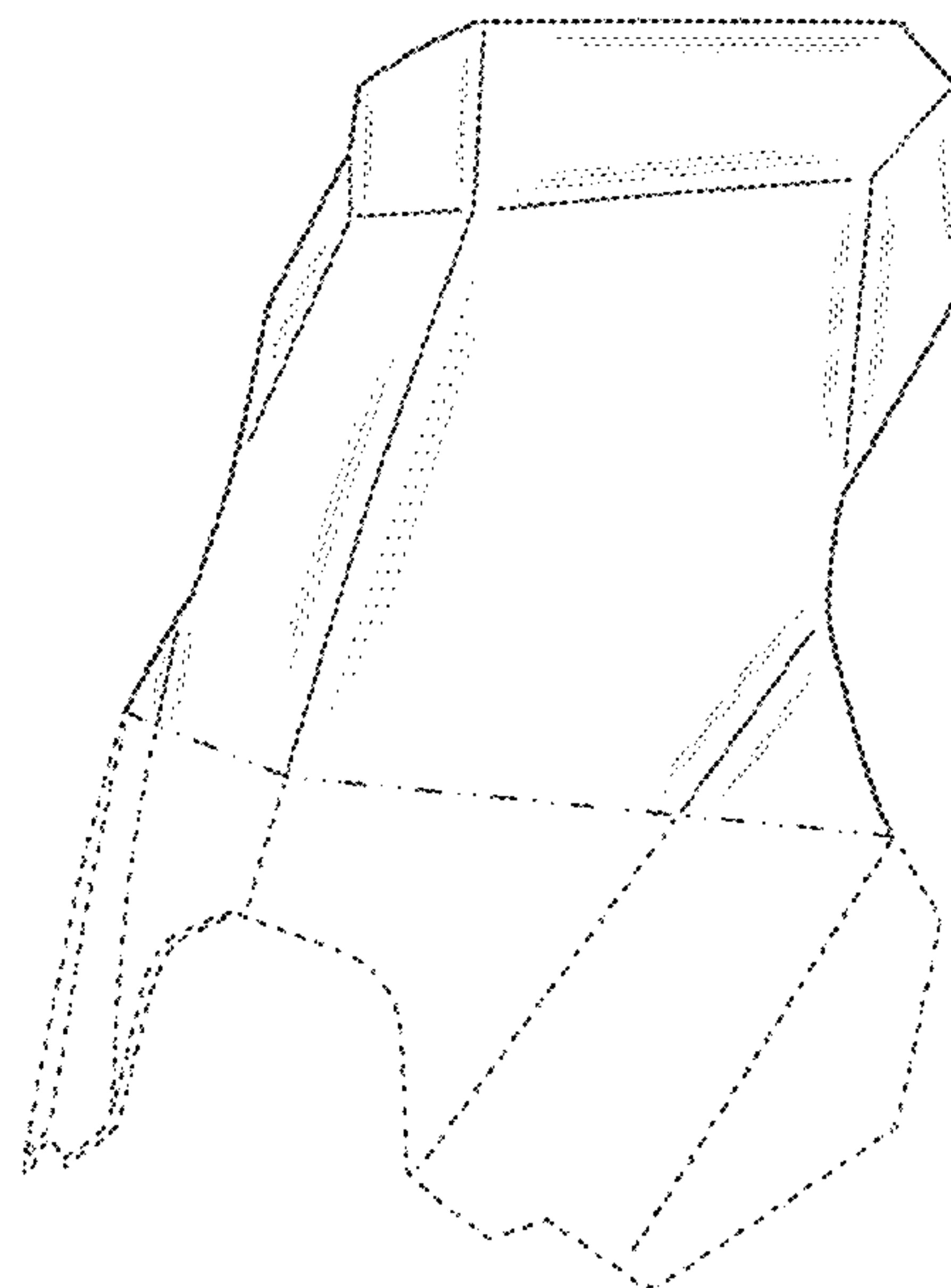
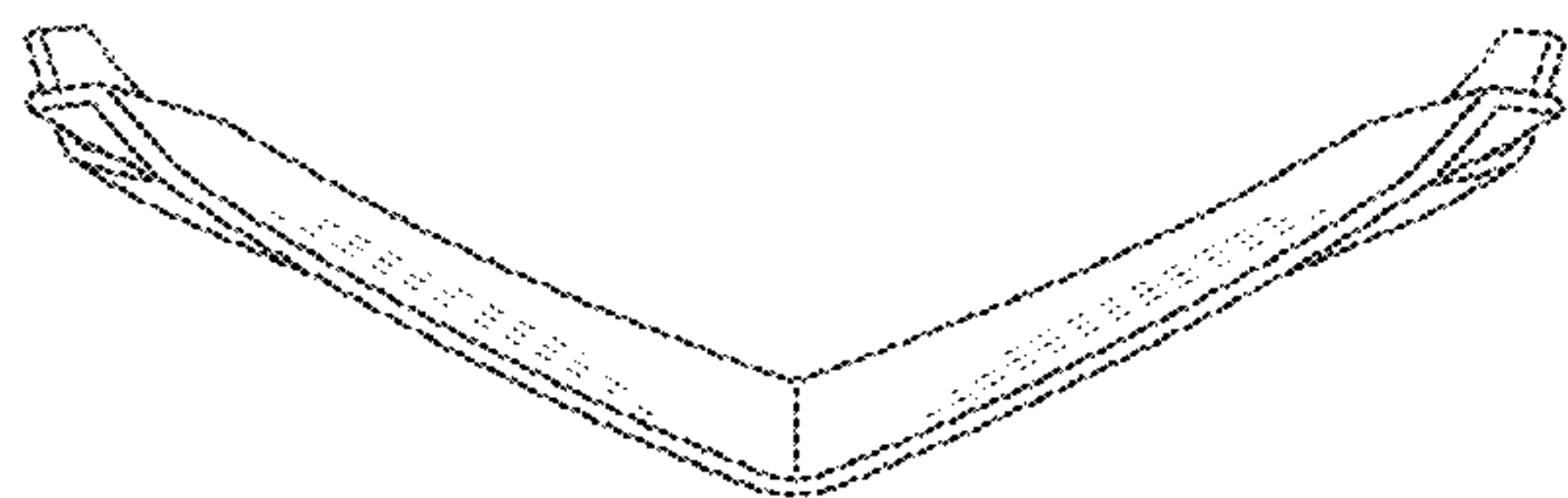
FIG. 4 is a right side view of the design in which the dot-dot-dash line defines the bounds of the claimed design and forms no part of the claimed design, and in which the dashed lines are for the purposes of illustrating portions of the design and forms no part of the claimed design.

FIG. 5 is a left side view of the design in which the dot-dot-dash line defines the bounds of the claimed design and forms no part of the claimed design, and in which the dashed lines are for the purposes of illustrating portions of the design and forms no part of the claimed design.

FIG. 6 is a top view of the design; and,

FIG. 7 is a perspective view of the design in which the dot-dot-dash line defines the bounds of the claimed design and forms no part of the claimed design, and in which the dashed lines are for the purposes of illustrating portions of the design and forms no part of the claimed design.

1 Claim, 7 Drawing Sheets



(56)

References Cited

U.S. PATENT DOCUMENTS

4,606,571 A * 8/1986 Fujita B62J 17/04
296/78.1
D285,428 S * 9/1986 Cline D12/181
4,696,509 A * 9/1987 Yagasaki B62J 17/04
296/78.1
D294,817 S * 3/1988 Preisler D12/182
D295,277 S * 4/1988 Preisler D12/182
D399,808 S * 10/1998 Vetter D12/182
D431,804 S * 10/2000 Willey D12/182
D503,911 S * 4/2005 Hanagan D12/182
7,134,705 B2 * 11/2006 Larson B62J 17/04
296/78.1
D533,490 S * 12/2006 Tsukasaki D12/182
D538,213 S * 3/2007 Fukuyama D12/182
D632,235 S * 2/2011 Klock D12/182
D723,437 S * 3/2015 McNeely D12/182
9,266,408 B2 * 2/2016 Pellerin B62J 17/04

* cited by examiner

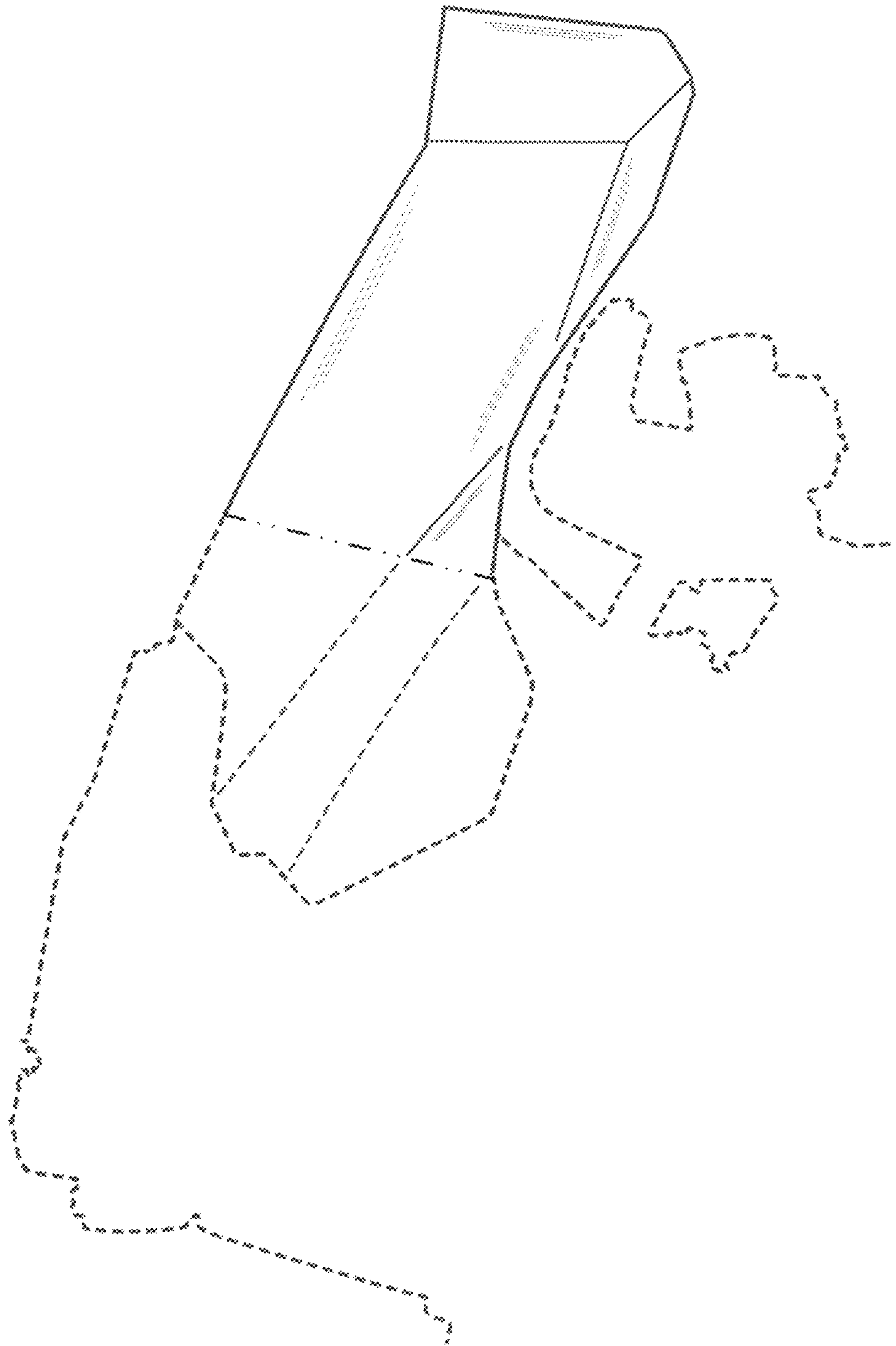


FIG. 1

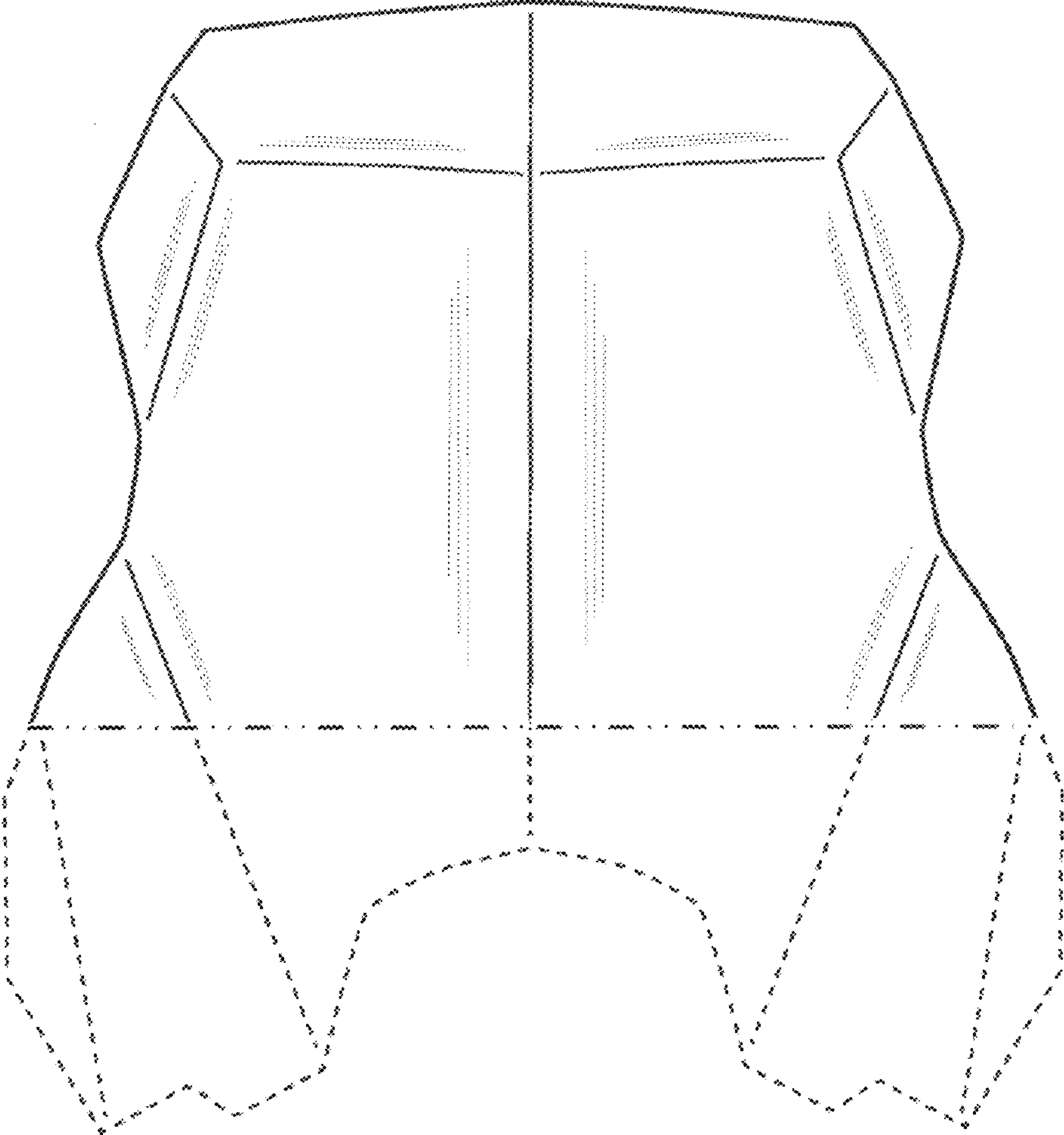


FIG. 2

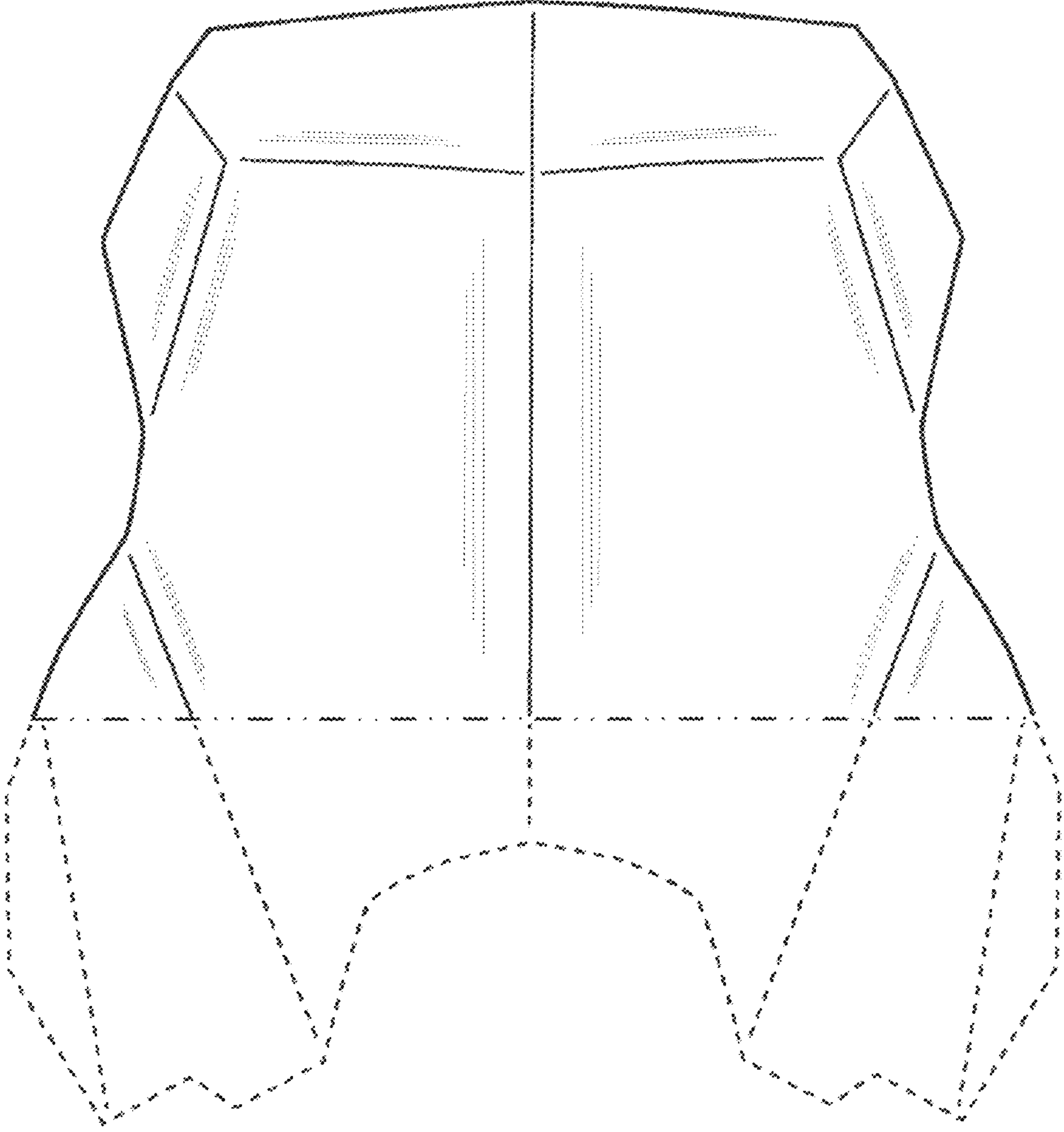


FIG. 3

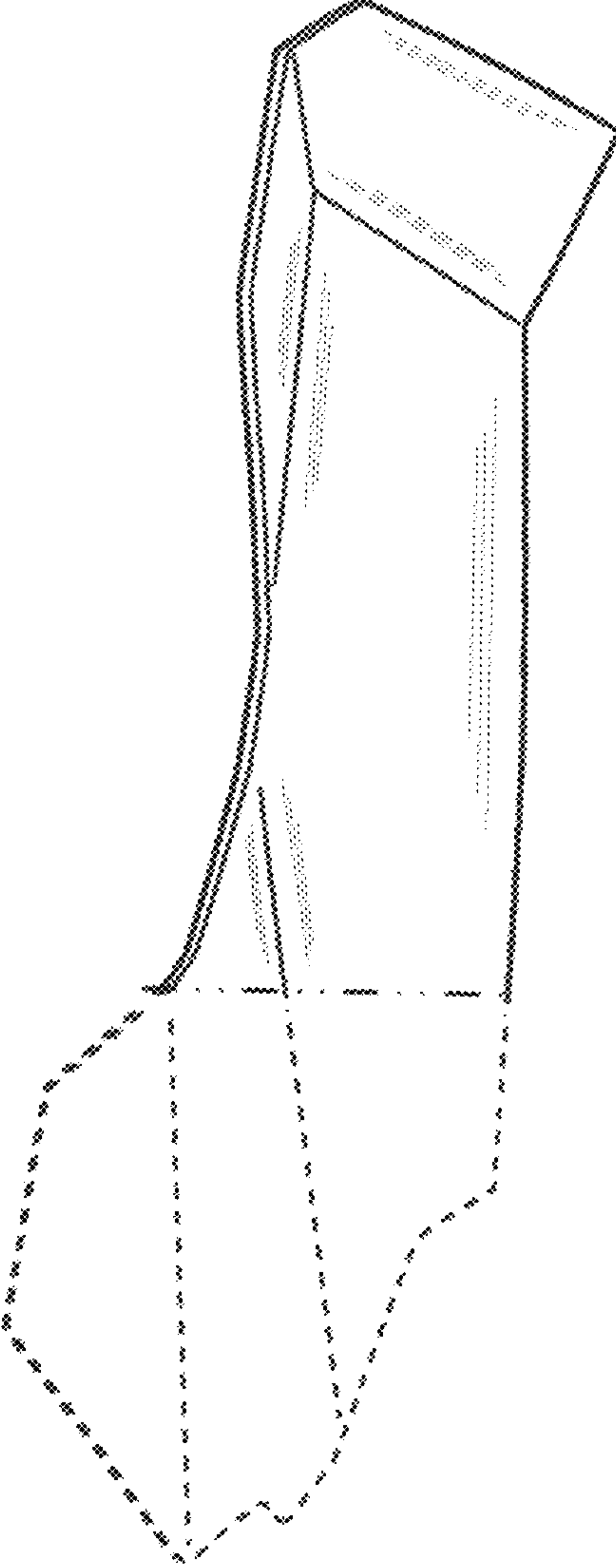


FIG. 4

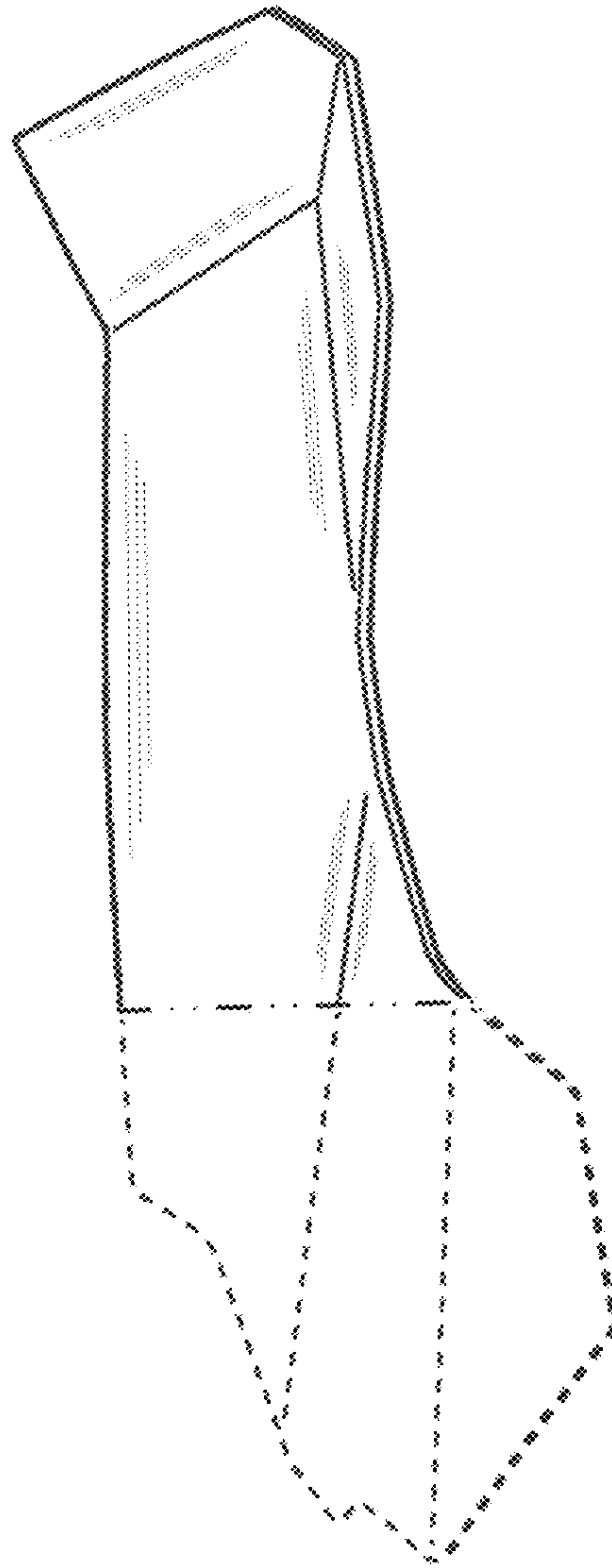


FIG. 5

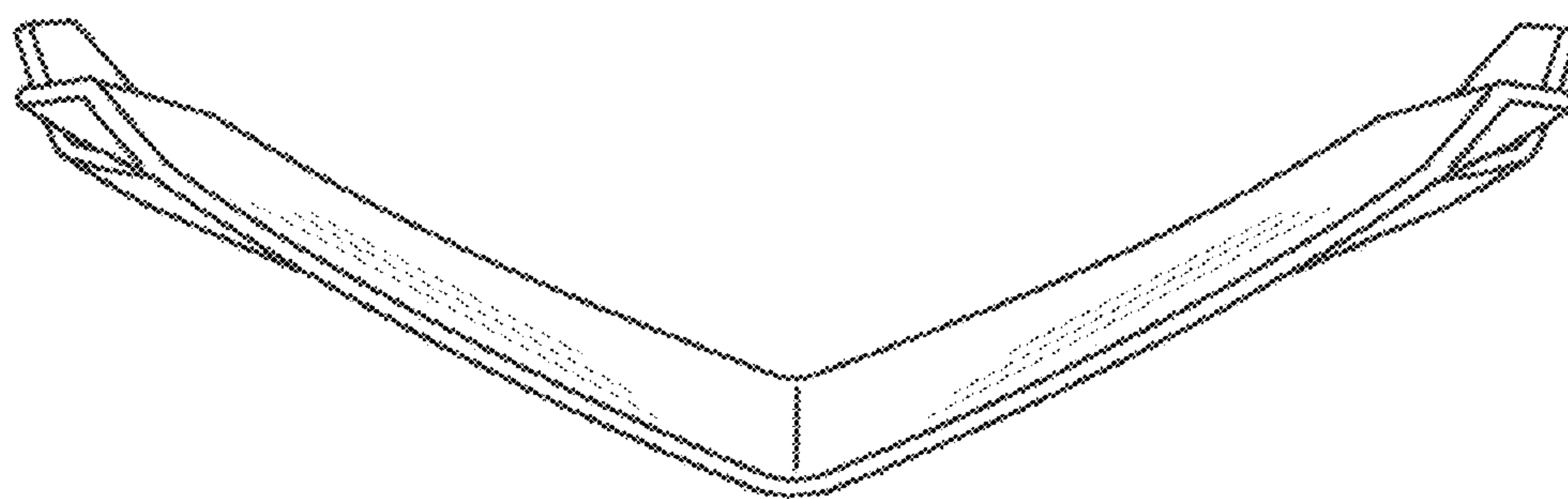


FIG. 6

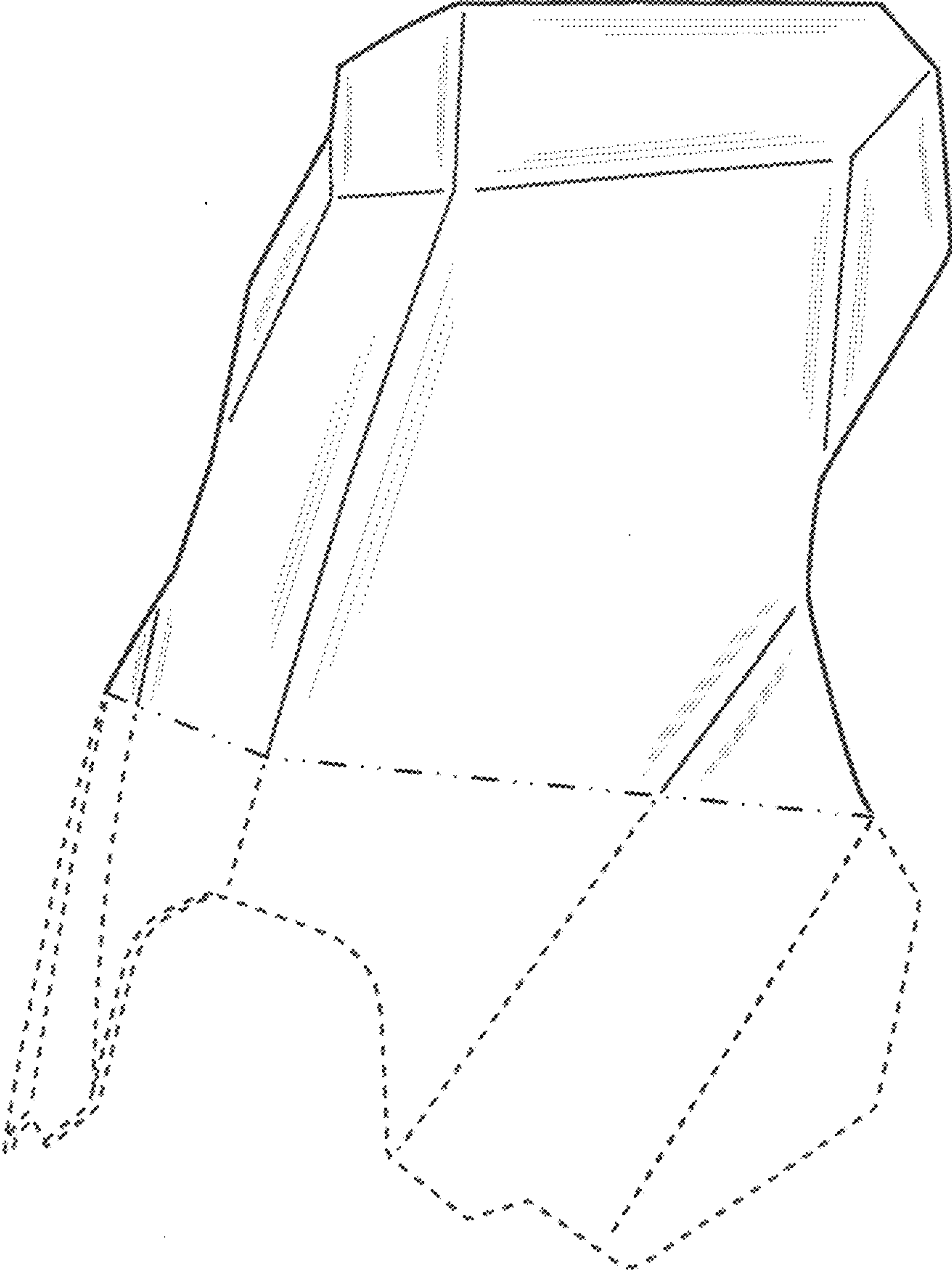


FIG. 7