



US00D776585S

(12) **United States Design Patent**  
**Eriksson et al.**

(10) **Patent No.:** **US D776,585 S**  
(45) **Date of Patent:** **\*\* Jan. 17, 2017**

- (54) **FAIRING**
- (71) Applicant: **Thule Sweden AB**, Hillerstorp (SE)
- (72) Inventors: **Henrik Eriksson**, Jönköping (SE); **Jan Adler**, Jönköping (SE); **Jason Clark**, Prescott, AZ (US)
- (73) Assignee: **Thule Sweden AB**, Hillerstorp (SE)
- (\*\*) Term: **15 Years**
- (21) Appl. No.: **29/534,647**
- (22) Filed: **Jul. 30, 2015**
- (51) **LOC (10) Cl.** ..... **12-08**
- (52) **U.S. Cl.**  
USPC ..... **D12/181**
- (58) **Field of Classification Search**  
USPC ... D12/88, 181, 190, 191, 196, 400; 296/91, 296/180.01, 180.2; 280/727, 770, 848; 224/309  
CPC ..... B60R 9/05; B60R 13/02; B60R 13/04; B62D 35/005; B63D 35/007  
See application file for complete search history.

- D658,569 S \* 5/2012 Horton ..... D12/191
- D699,647 S \* 2/2014 Jensen ..... D12/181
- D705,141 S \* 5/2014 Jensen ..... D12/181
- D740,189 S \* 10/2015 Lopez-Ross ..... D12/191
- D746,191 S \* 12/2015 Chen ..... D12/181
- D754,042 S \* 4/2016 Pennington ..... D12/181
- 2003/0184113 A1 \* 10/2003 Espinose ..... B62D 35/005 296/91

**OTHER PUBLICATIONS**

U.S. Appl. No. 14/811,384, filed Jul. 28, 2015.  
Thule, "Thule Fairing 870XT," <<http://web.archive.org/web/20150905185506/http://www.thule.com/en-us/us/products/carriers-and-racks/roof-racks/load-accessories/thule-fairing-870xt--870xt>>, 5 pages, dated Sep. 5, 2015.

\* cited by examiner

*Primary Examiner* — Rosemary K Tarcza  
*Assistant Examiner* — Yolanda Robinson  
(74) *Attorney, Agent, or Firm* — Sterne, Kessler, Goldstein & Fox P.L.L.C.

(57) **CLAIM**

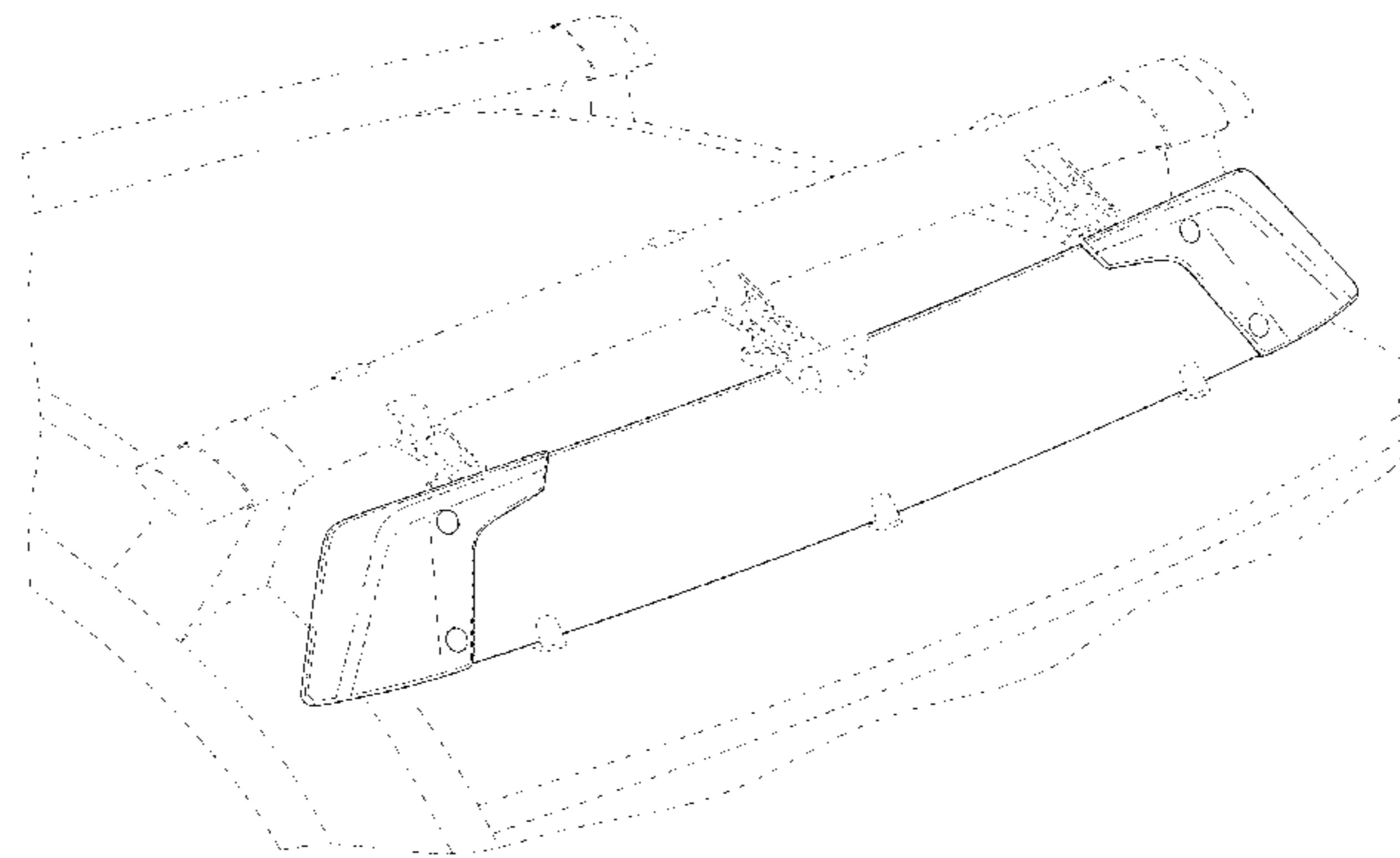
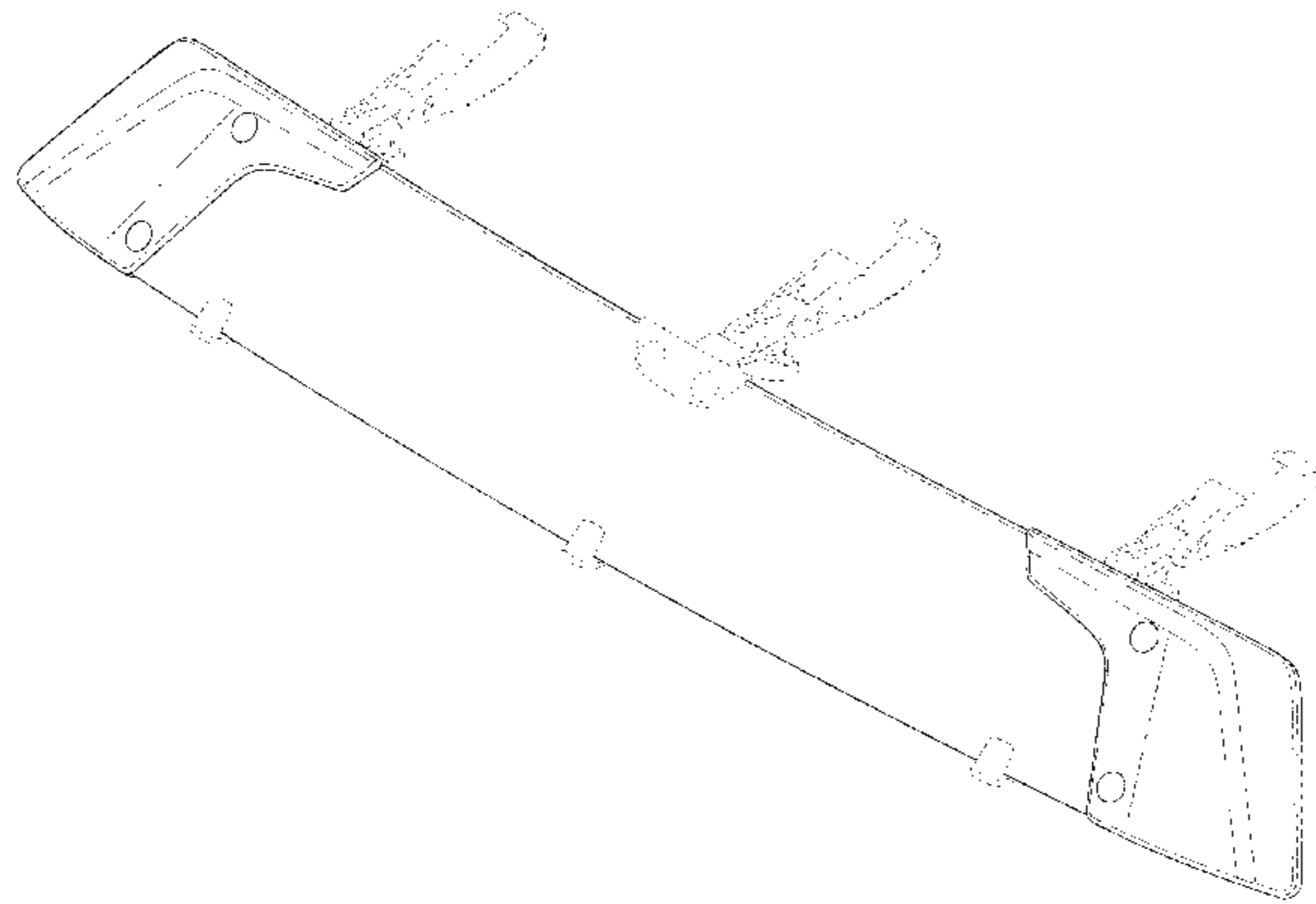
The ornamental design for a fairing, as shown and described.

**DESCRIPTION**

FIG. 1 is a top front perspective view of a fairing showing our new design;  
FIG. 2 is a front view thereof;  
FIG. 3 is a rear view thereof;  
FIG. 4 is a right side view thereof;  
FIG. 5 is a left side view thereof;  
FIG. 6 is a top view thereof;  
FIG. 7 is a bottom view thereof; and,  
FIG. 8 is another top front perspective view thereof in an environment in which it may be used.  
The broken lines in the Figures show portions of the fairing and environment, and form no part of the claimed design.

**1 Claim, 7 Drawing Sheets**

- (56) **References Cited**  
U.S. PATENT DOCUMENTS  
6,425,507 B1 \* 7/2002 Allen ..... B60R 9/05 224/309  
6,547,306 B2 \* 4/2003 Espinose ..... B62D 35/005 206/494  
D521,429 S \* 5/2006 Konaka ..... D12/181  
D539,713 S \* 4/2007 Kozak ..... D12/181  
D561,671 S \* 2/2008 Ma ..... D12/191  
D566,636 S \* 4/2008 Ma ..... D12/191  
D586,711 S \* 2/2009 Sato ..... D12/181  
7,665,796 B2 \* 2/2010 Wegener ..... B62D 35/007 180/903



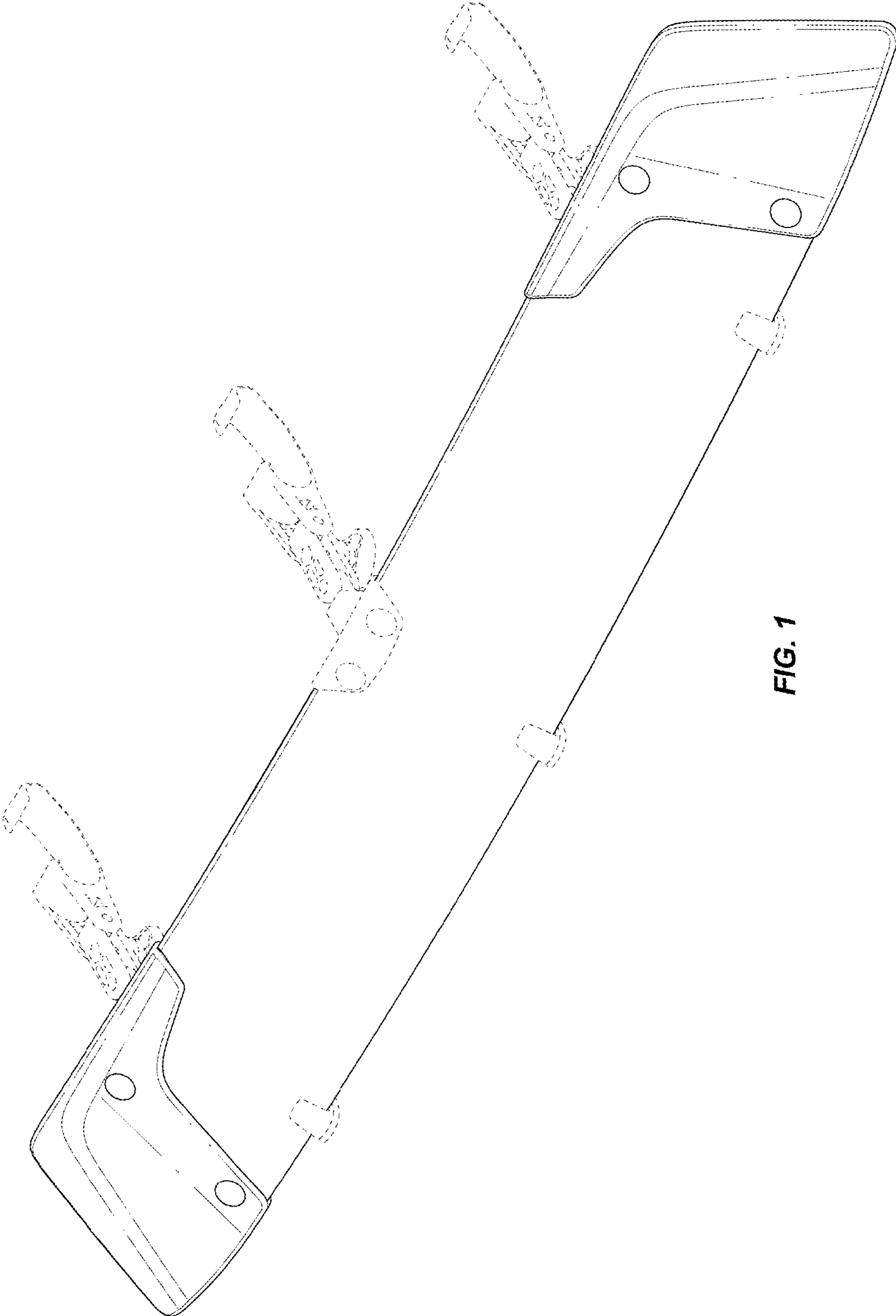


FIG. 1

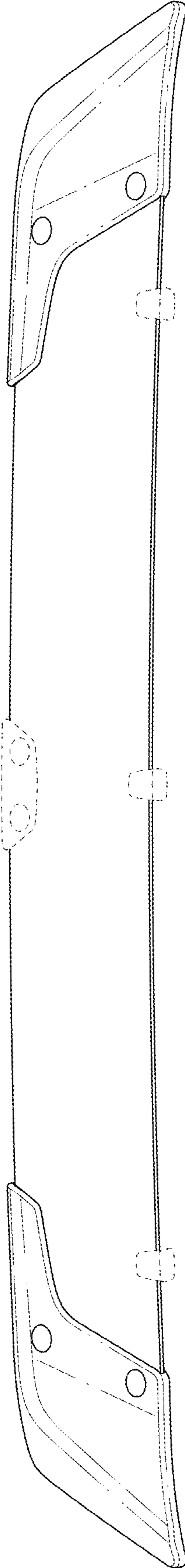


FIG. 2

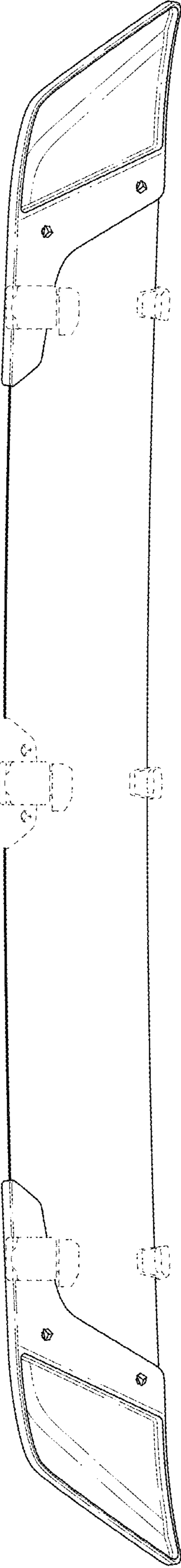
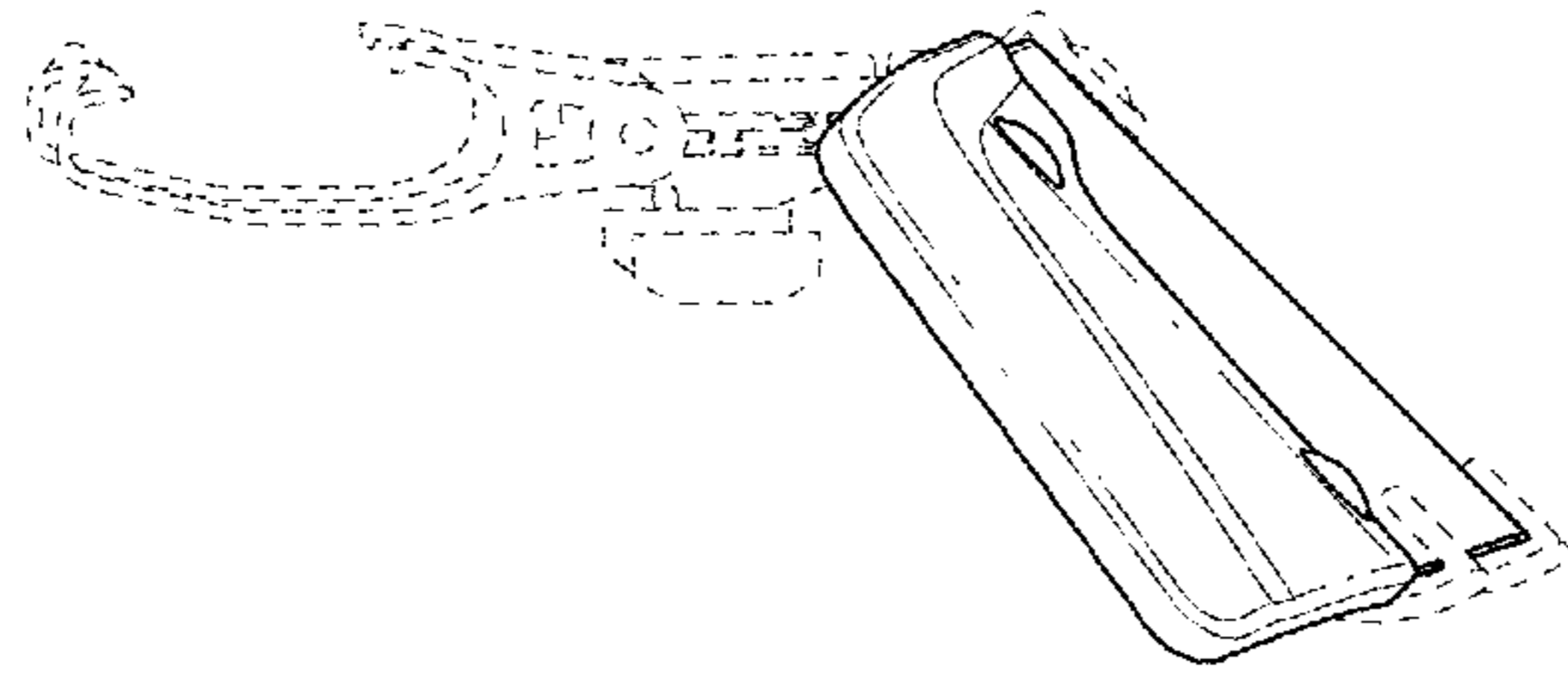
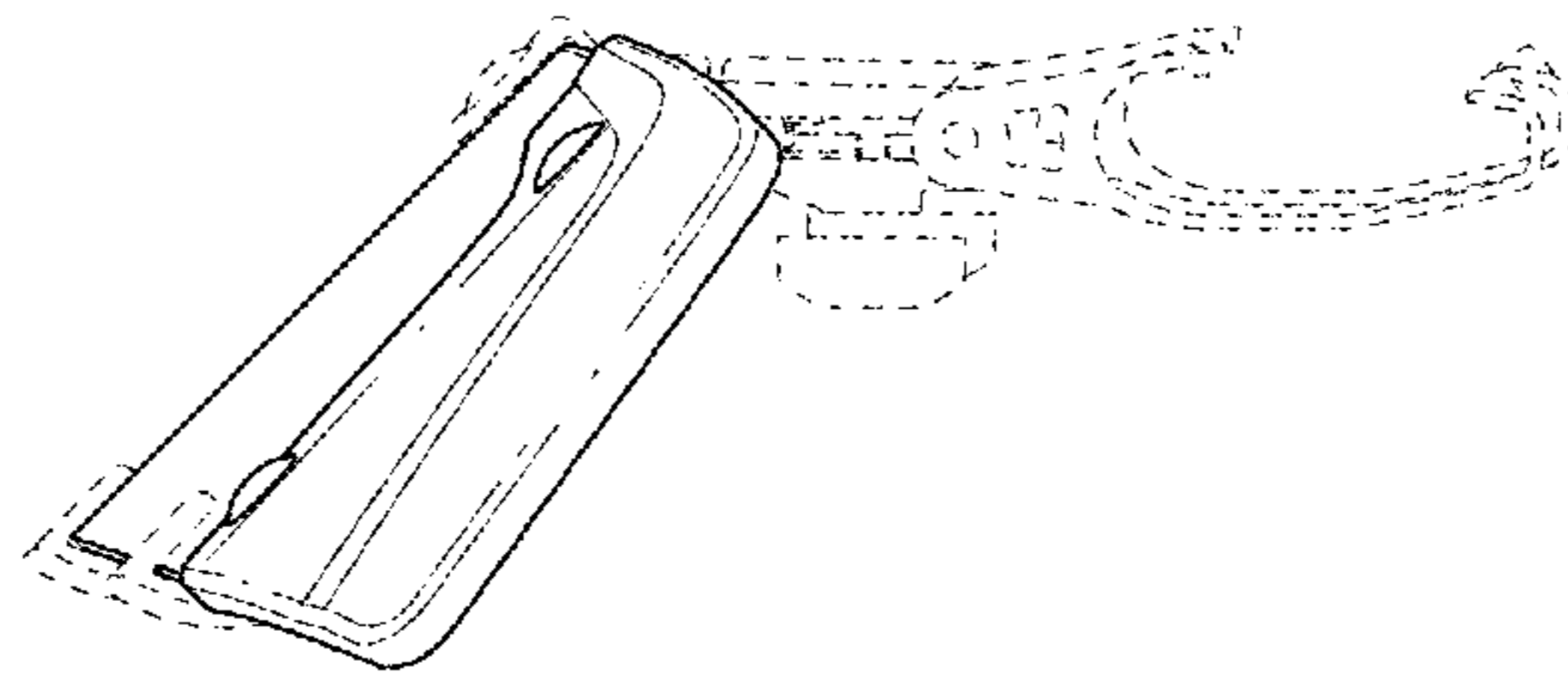


FIG. 3



**FIG. 4**



**FIG. 5**

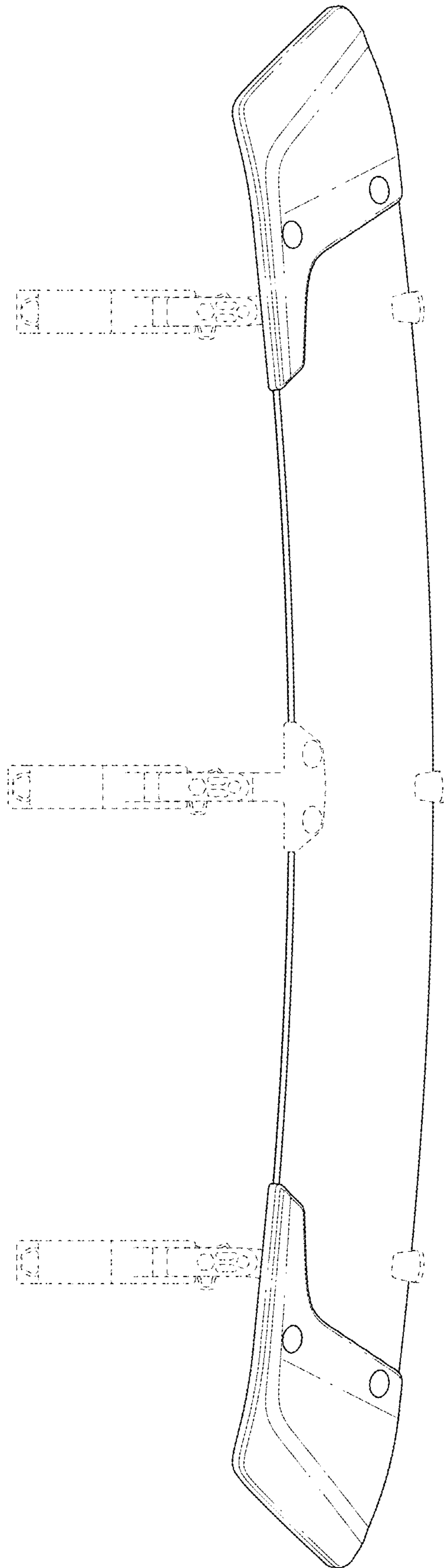


FIG. 6

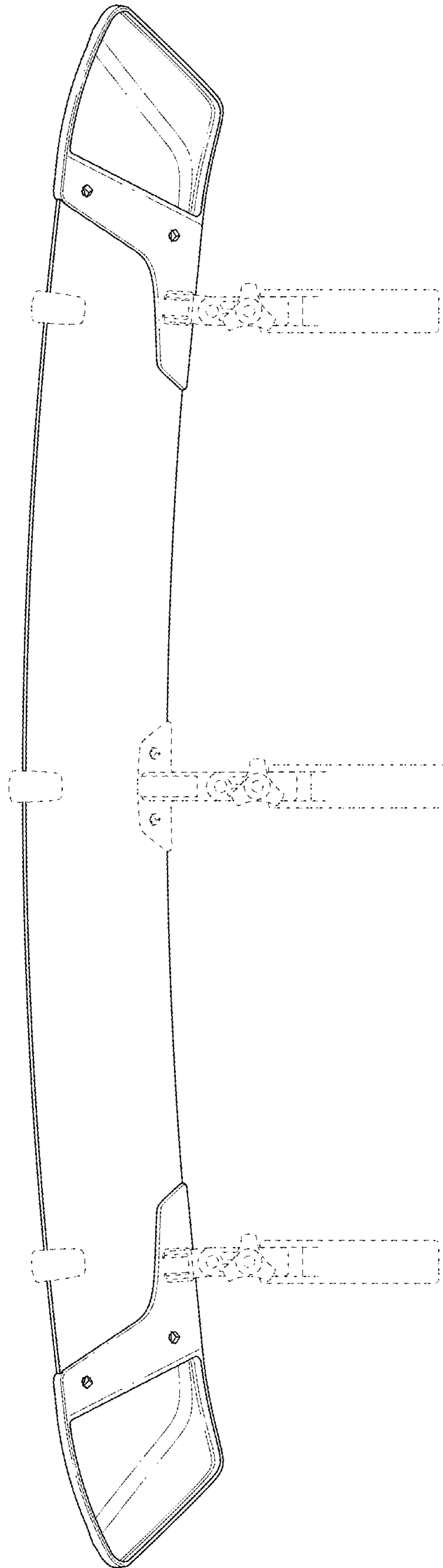


FIG. 7

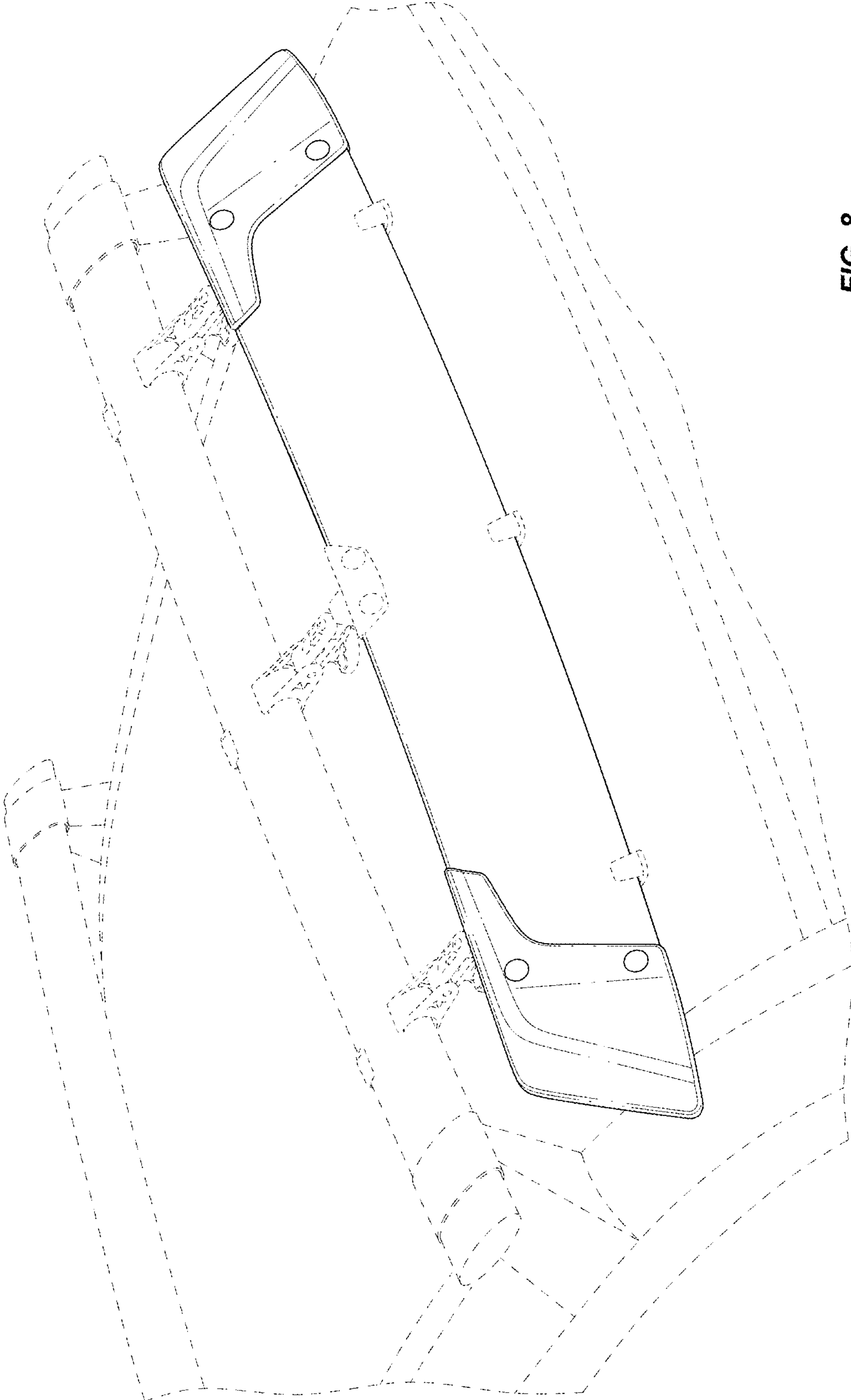


FIG. 8