



US00D776584S

(12) **United States Design Patent** (10) **Patent No.:** **US D776,584 S**
Meissner et al. (45) **Date of Patent:** **** Jan. 17, 2017**

(54) **STEERING WHEEL FOR A MOTOR VEHICLE**

(56) **References Cited**

U.S. PATENT DOCUMENTS

(71) Applicant: **Dr. Ing. h.c.F. Porsche Aktiengesellschaft**, Stuttgart (DE)

D706,187 S *	6/2014	Tilscher	D12/176
D743,858 S *	11/2015	Sugiura	D12/176
D743,860 S *	11/2015	Nagumo	D12/176
D758,933 S *	6/2016	Owaku	D12/176
D760,134 S *	6/2016	Montousse	D12/176

(72) Inventors: **Gantimur Meissner**, Berlin (DE);
Denny Moritz, Stuttgart (DE)

* cited by examiner

(73) Assignee: **DR. ING. H.C.F. PORSCHE AKTIENGESELLSCHAFT**, Stuttgart (DE)

Primary Examiner — Melody N Brown
(74) *Attorney, Agent, or Firm* — Gerald E. Hespos; Michael J. Porco; Matthew T. Hespos

(**) Term: **15 Years**

(57) **CLAIM**

(21) Appl. No.: **29/547,262**

The ornamental design of a steering wheel for a motor vehicle, as shown and described.

(22) Filed: **Dec. 2, 2015**

DESCRIPTION

(30) **Foreign Application Priority Data**

Aug. 6, 2015 (DE) 40 2015 100 732

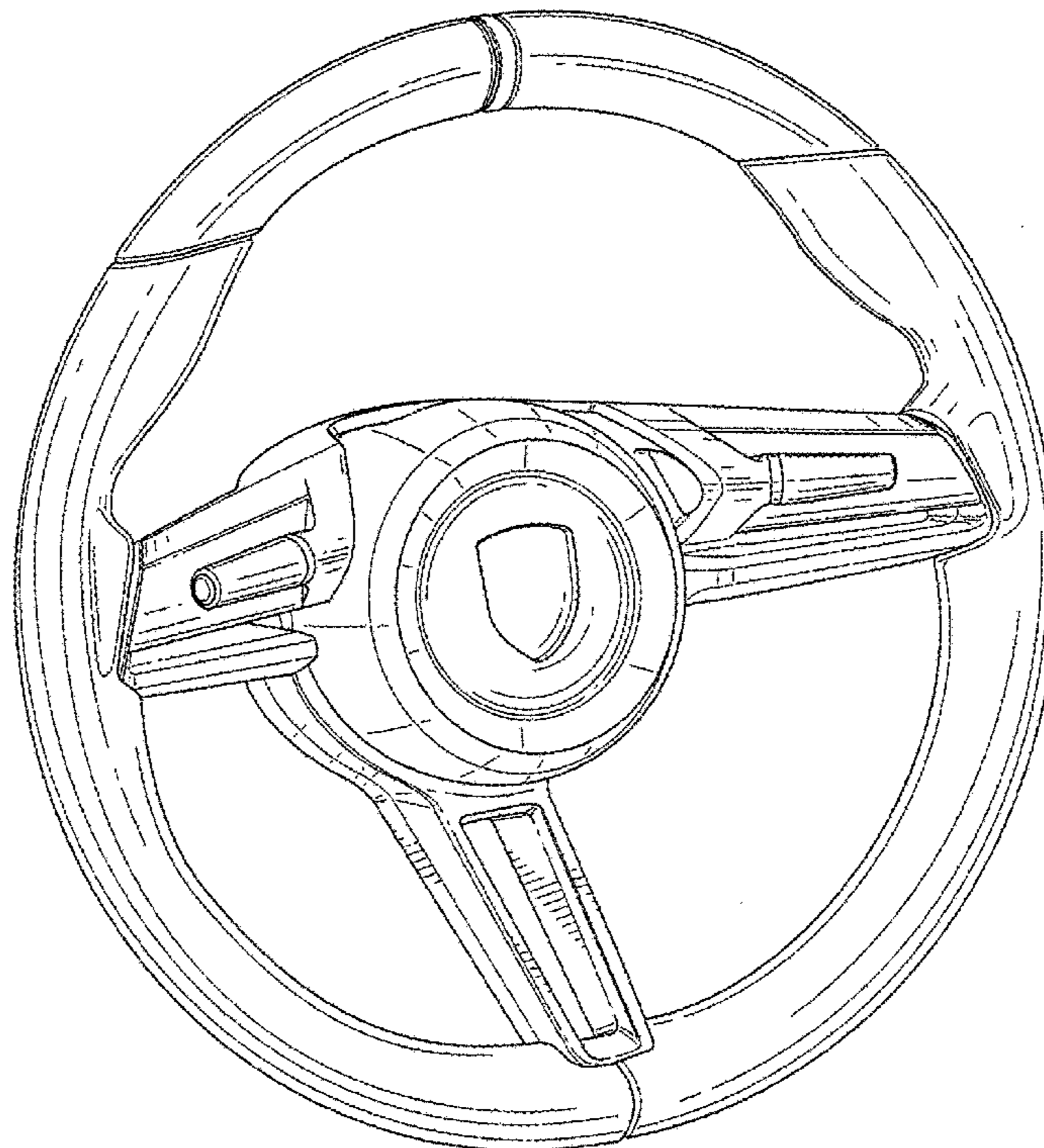
(51) **LOC (10) Cl.** **12-16**

(52) **U.S. Cl.**
USPC **D12/176**

(58) **Field of Classification Search**
USPC D12/175, 176; 74/552, 558, 558.5
CPC B60R 21/203; B60R 21/05; B62D 1/04
See application file for complete search history.

FIG. 1 is a front and side perspective of a steering wheel for a motor vehicle in accordance with my design;
FIG. 2 is a front elevational view thereof;
FIG. 3 is a rear elevational view thereof;
FIG. 4 is a side elevational view taken from the right side in FIG. 1;
FIG. 5 is a side elevational view taken from the left side in FIG. 1;
FIG. 6 is a top plan view thereof; and,
FIG. 7 is a bottom plan view thereof.

1 Claim, 7 Drawing Sheets



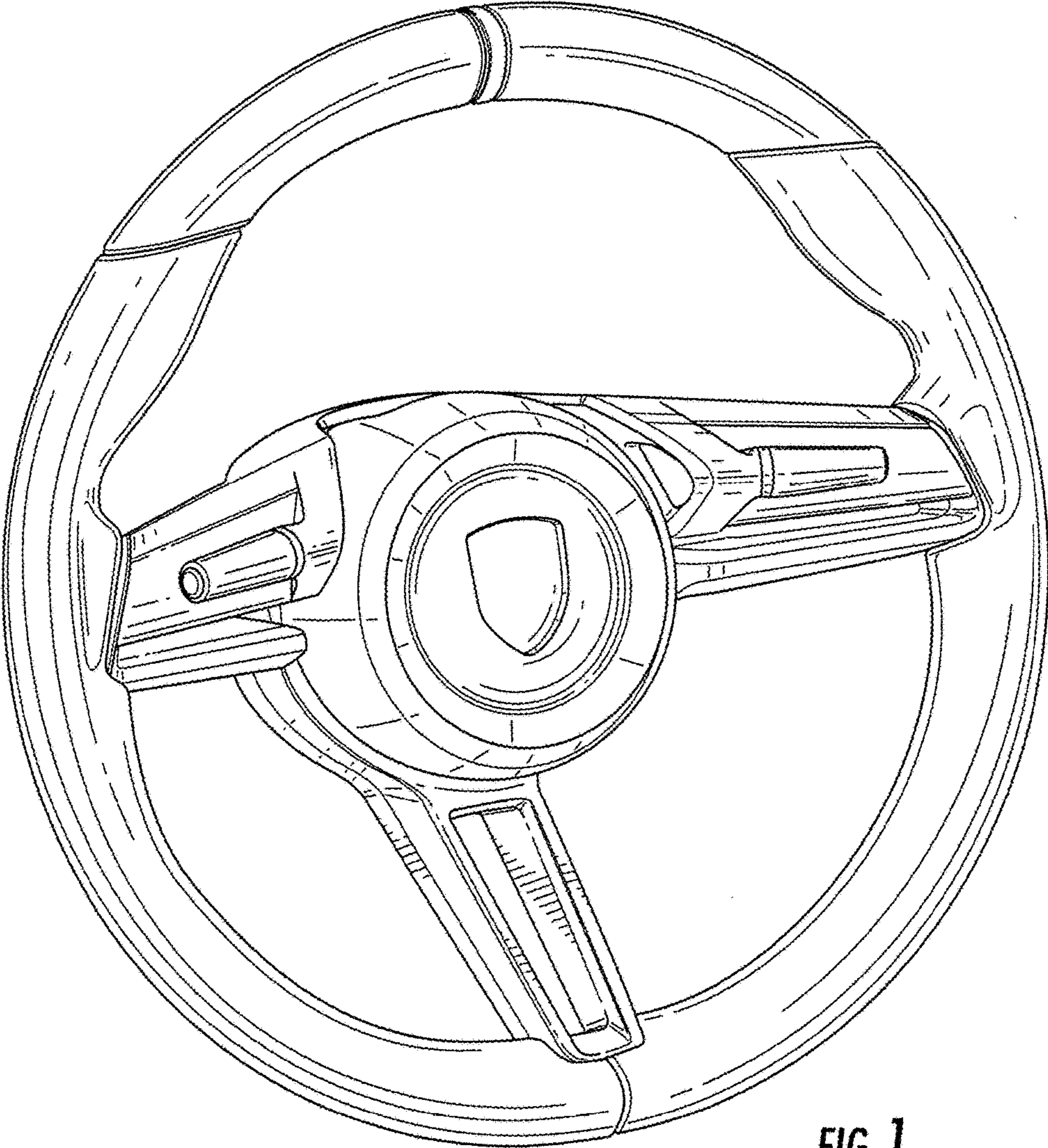


FIG. 1

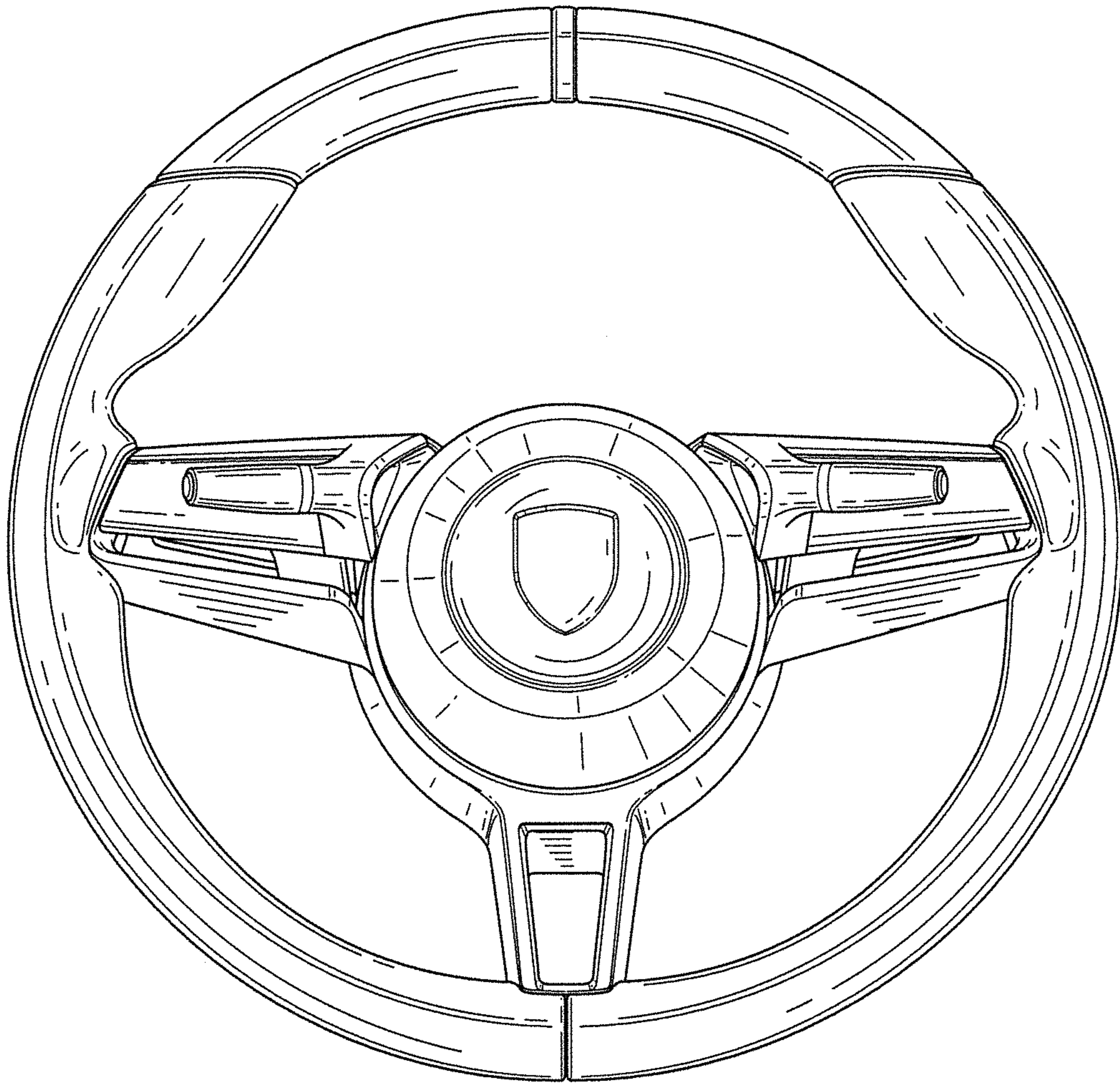


FIG. 2

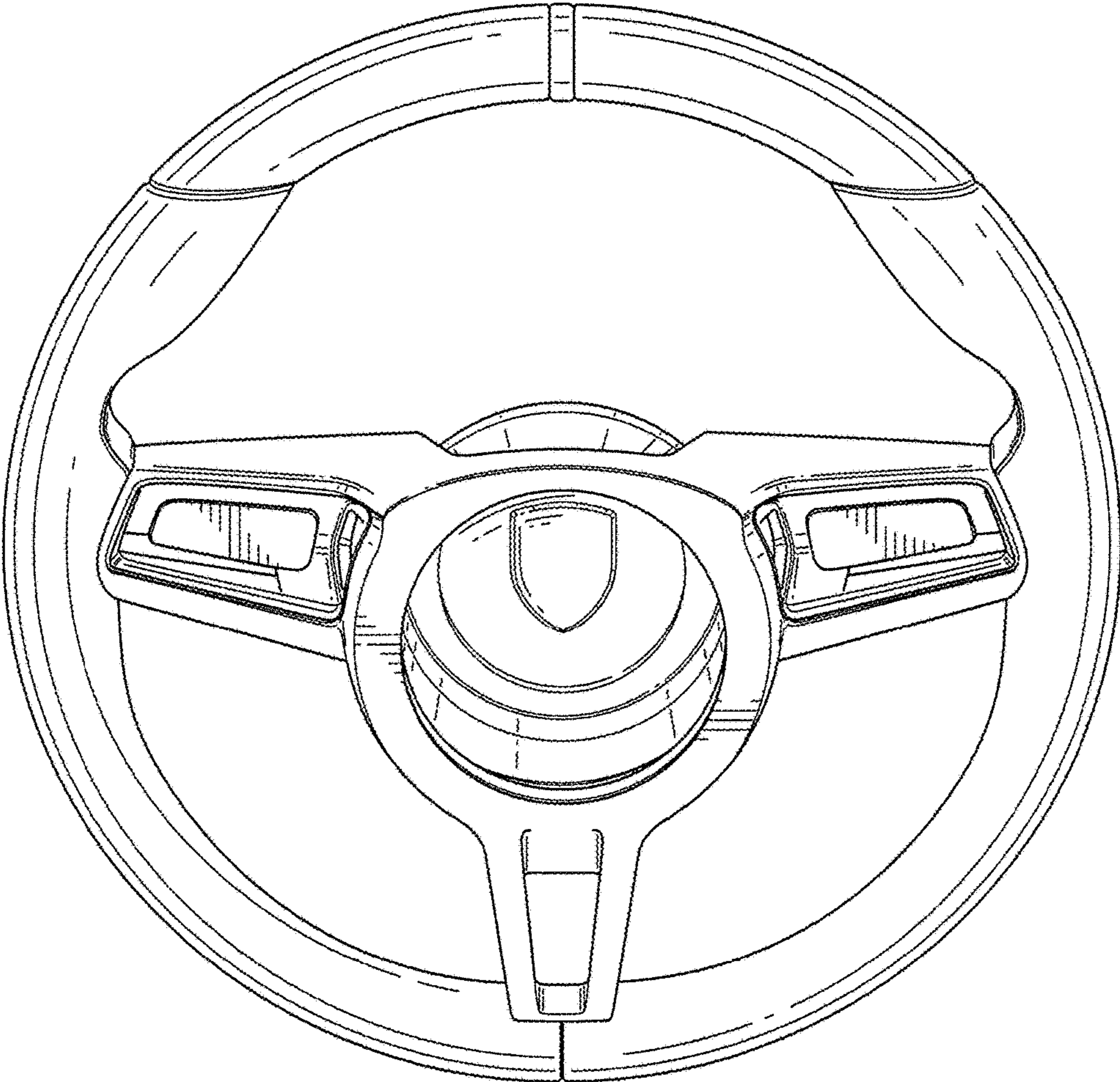


FIG. 3

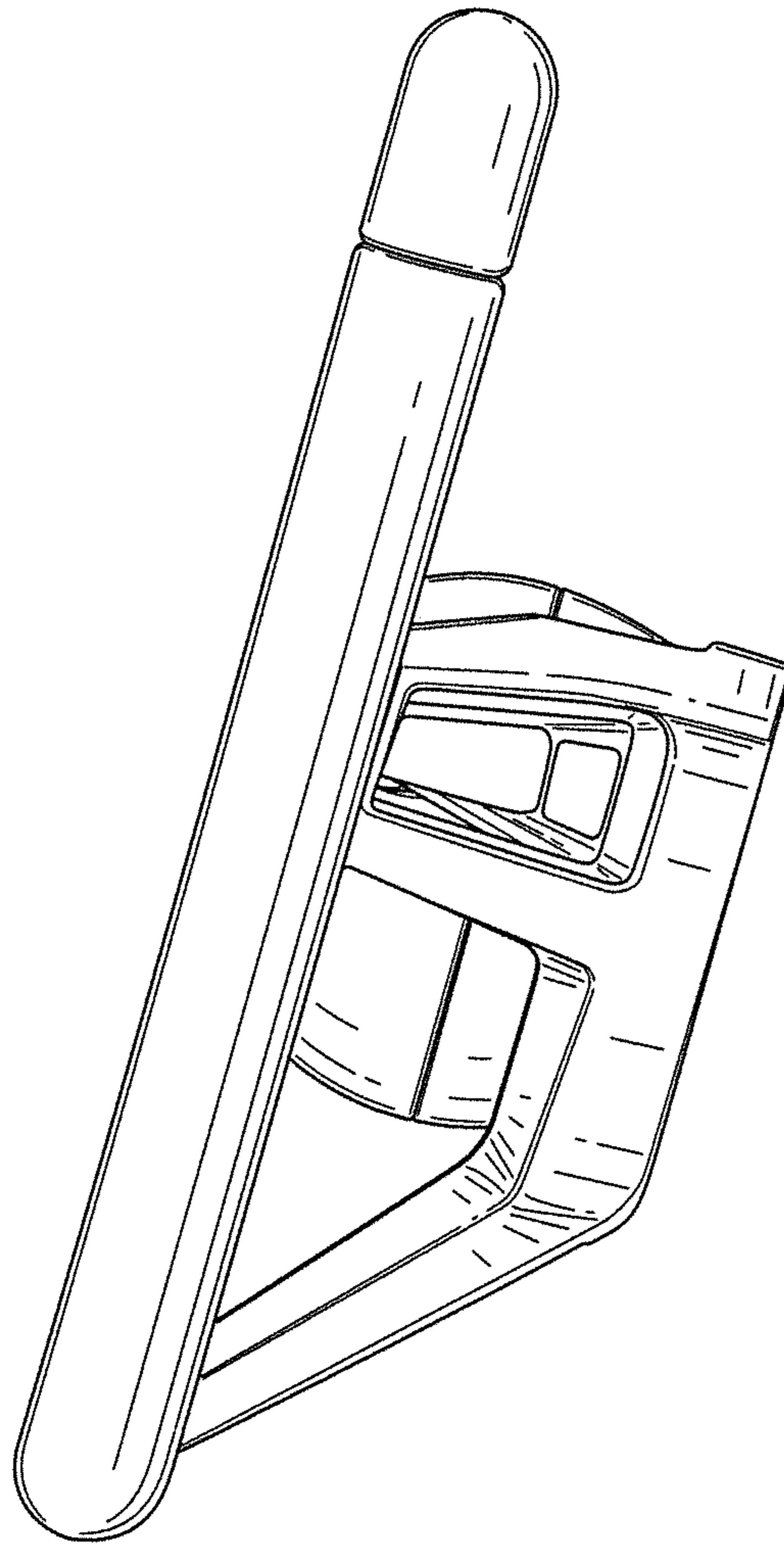


FIG. 4

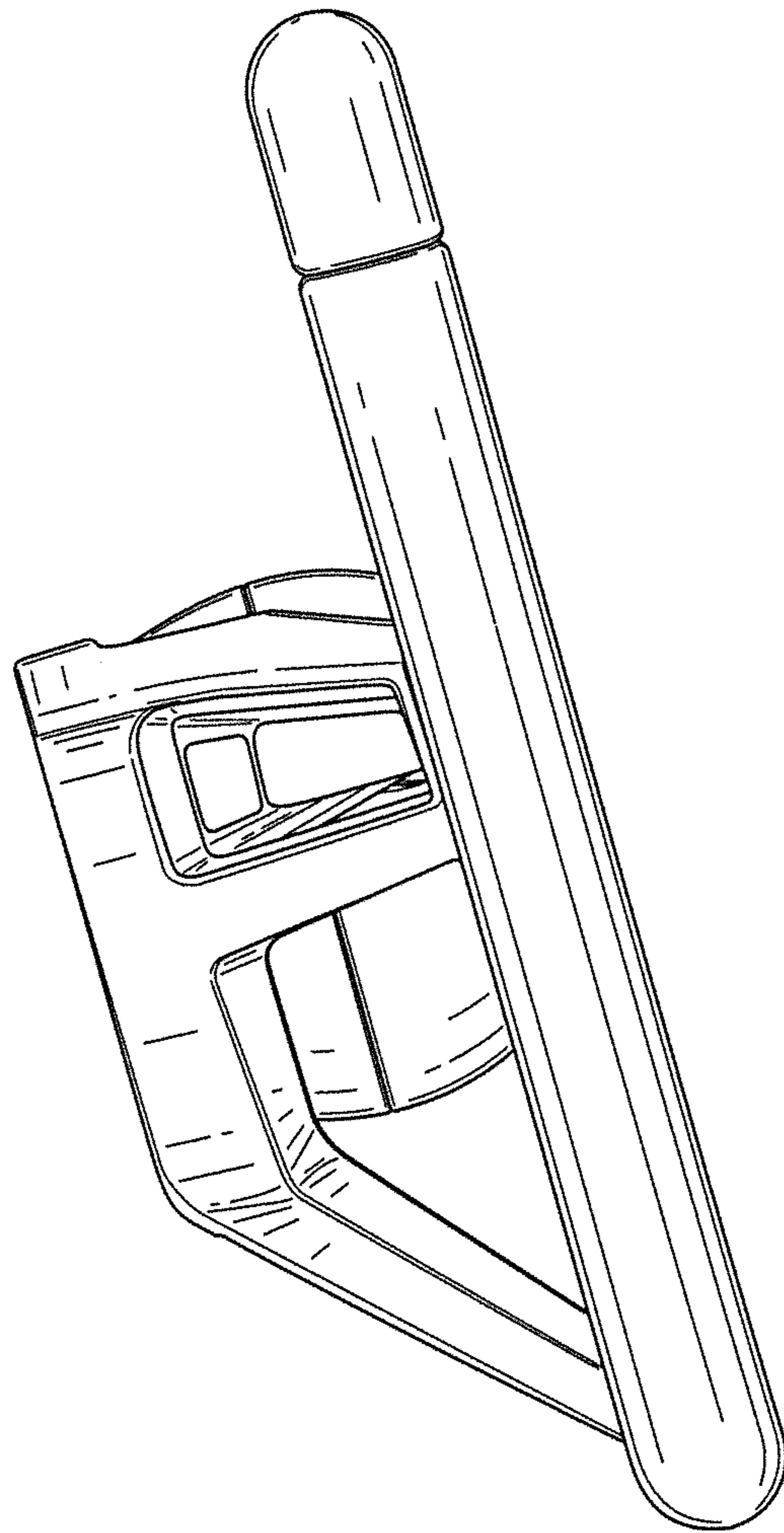


FIG. 5

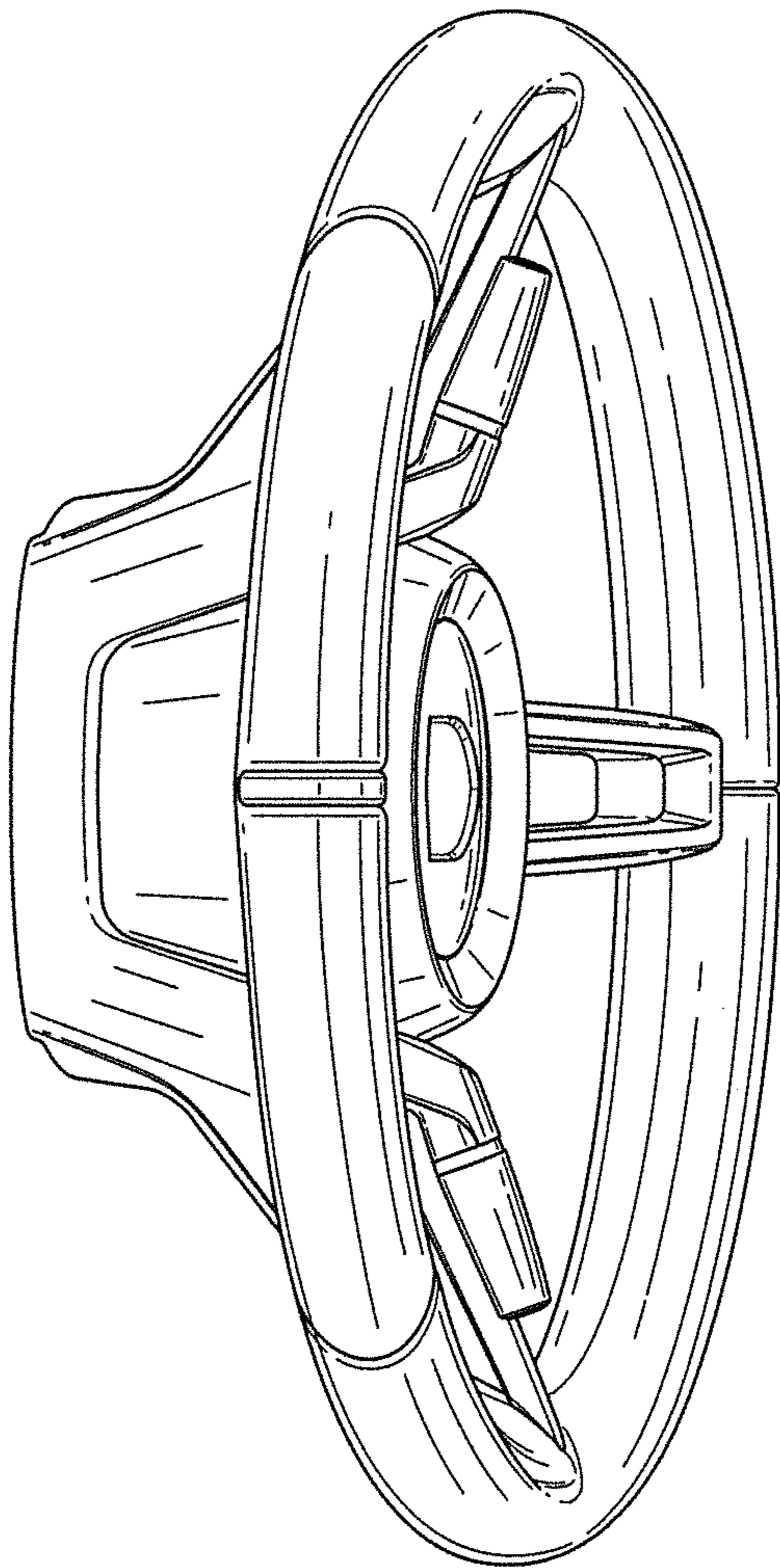


FIG. 6

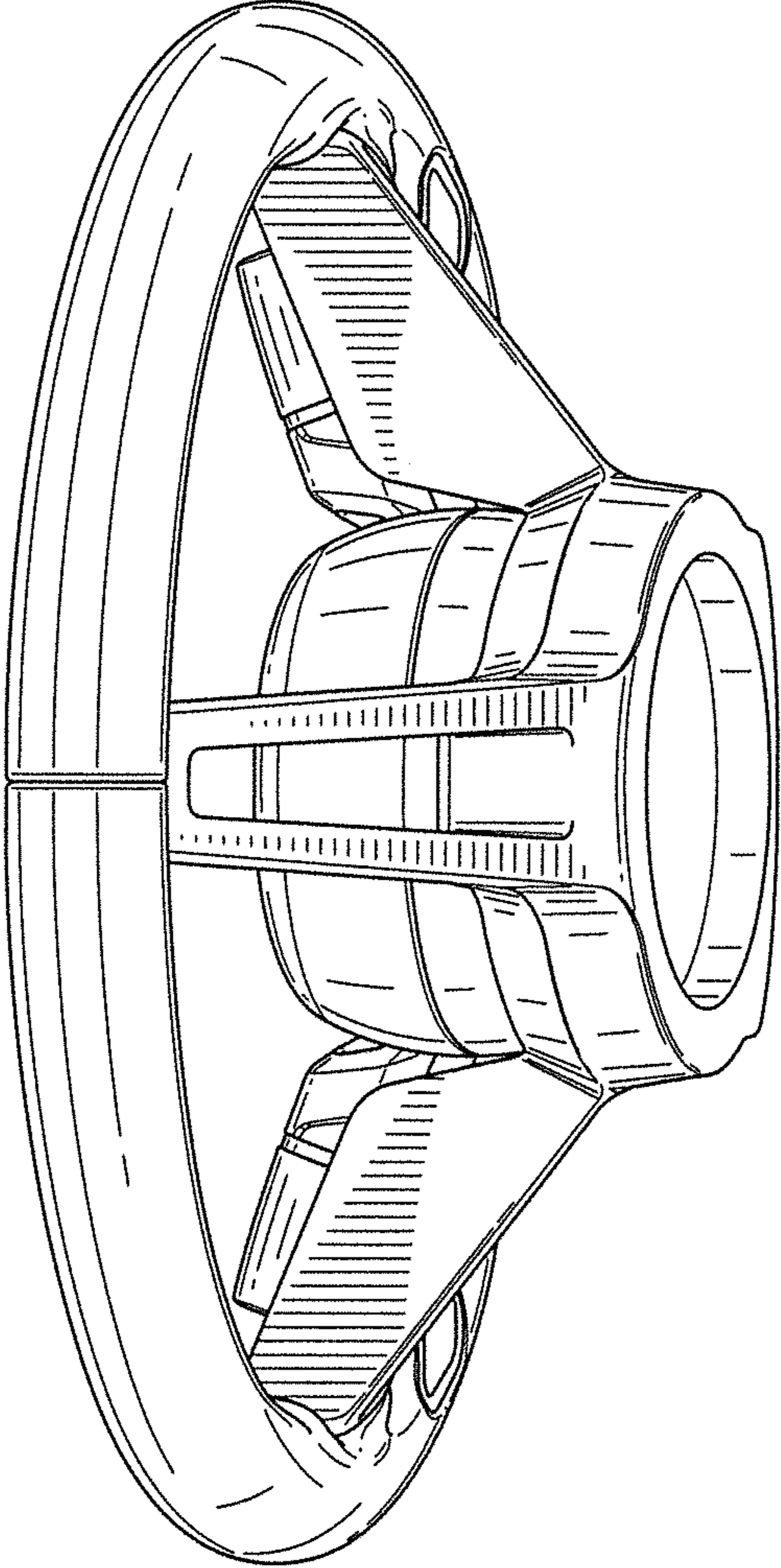


FIG. 7