



US00D776582S

(12) **United States Design Patent**
Bennett et al.

(10) **Patent No.:** **US D776,582 S**
(45) **Date of Patent:** **** Jan. 17, 2017**

- (54) **FRONT BUMPER FOR A VEHICLE**
- (71) Applicant: **Omix-Ada, Inc.**, Suwanee, GA (US)
- (72) Inventors: **Patrick W. Bennett**, Gainesville, GA (US); **Alain M. Eboli, Jr.**, Suwanee, GA (US)
- (73) Assignee: **Omix-Ada, Inc.**, Suwanee, GA (US)

D455,684 S * 4/2002 McGuiness D12/171
 D462,640 S 9/2002 Sakae
 6,520,553 B2 2/2003 Muramatsu
 D473,167 S 4/2003 Shiono
 D473,168 S 4/2003 Hayashi
 D497,853 S 11/2004 Yanase
 D498,716 S 11/2004 Maeda et al.
 D502,433 S * 3/2005 McClanahan D12/169
 D503,133 S 3/2005 Pfeiffer et al.

(Continued)

(**) Term: **15 Years**

(21) Appl. No.: **29/544,317**

(22) Filed: **Nov. 2, 2015**

(51) **LOC (10) Cl.** **12-08**

(52) **U.S. Cl.**
USPC **D12/169**

(58) **Field of Classification Search**
USPC D12/86-92, 163-172; 293/102-155;
296/35.2, 193.09, 193.1, 203.02
CPC B60R 19/02; B60R 19/023; B60R 19/18;
B60R 19/24; B60R 19/44; B60R 19/48;
B60R 19/56; B60R 2019/527; B60R
2019/1886
See application file for complete search history.

(56) **References Cited**

U.S. PATENT DOCUMENTS

1,531,022 A	3/1925	Pancoast	
D100,599 S	7/1936	Fitness	
D109,385 S	4/1938	Bade	
D115,146 S	1/1939	Falcon	
D116,071 S	8/1939	Walklet	
D127,664 S	6/1941	Walker	
D137,040 S	1/1944	Cadwallader	
2,731,289 A	1/1956	Corydon, II	
D300,128 S *	3/1989	Brennan D12/169
D454,099 S *	3/2002	McGuiness D12/171
D454,525 S *	3/2002	McGuiness D12/171
D454,817 S *	3/2002	McGuiness D12/171

OTHER PUBLICATIONS

Olsewski, Steven. "SEMA 2015: Omix-Ada Brings Something New, Something Old to SEMA." offroadextreme.com. Nov. 10, 2015. Accessed Aug. 29, 2016. Available online at URL: <http://www.offroadxtreme.com/features/sema-coverage/sema-2015-omix-ada-brings-something-new-something-old-to-sema/>.*

Primary Examiner — Cathron Brooks
Assistant Examiner — Christian P McLean
(74) *Attorney, Agent, or Firm* — Womble Carlyle Sandridge & Rice LLP

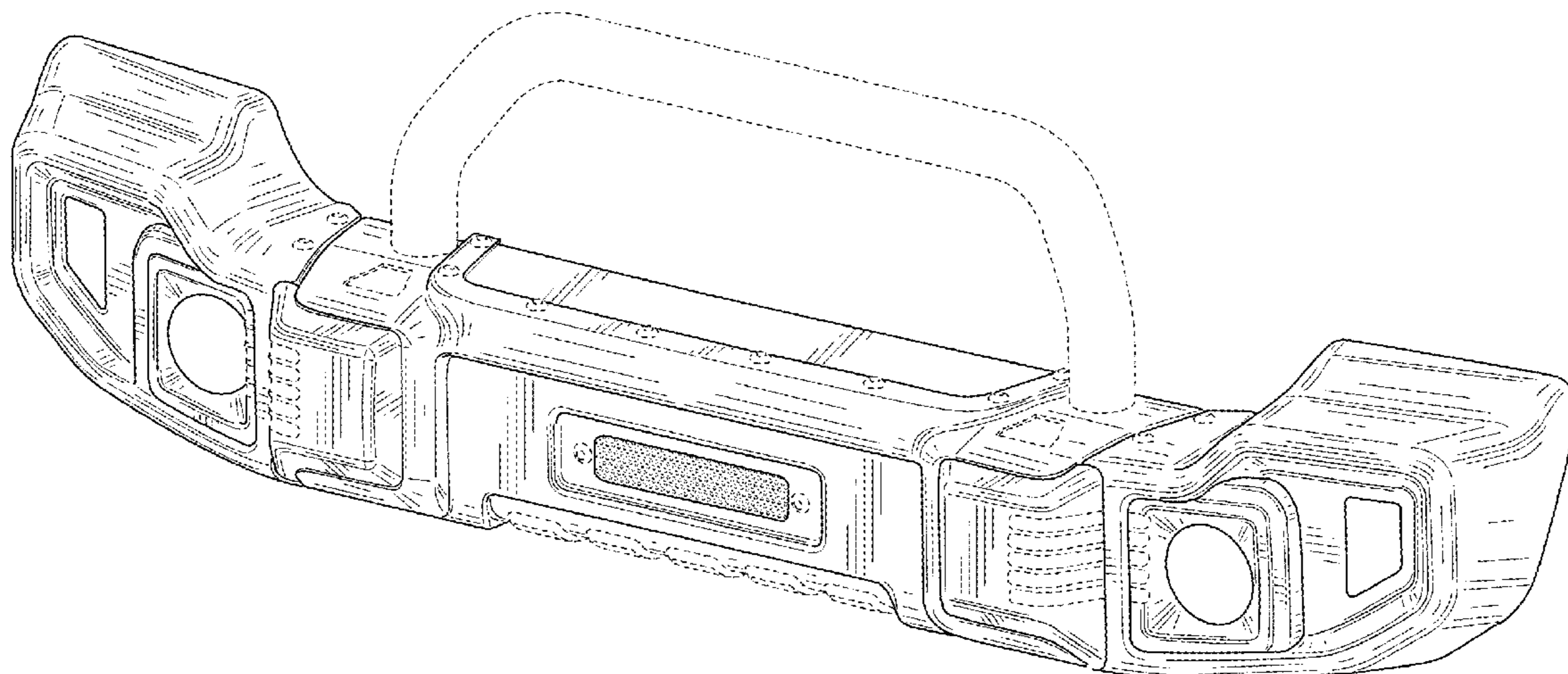
(57) **CLAIM**

The ornamental design for a front bumper for a vehicle, as shown and described.

DESCRIPTION

FIG. 1 is a perspective view of a front bumper for a vehicle showing our new design in a first embodiment. FIG. 2 is a front elevation view thereof. FIG. 3 is a back elevation view thereof. FIG. 4 is a top plan view thereof. FIG. 5 is a bottom plan view thereof. FIG. 6 is a right side elevation view thereof; and, FIG. 7 is a left side elevation view thereof. The broken lines illustrate portions of the front bumper for a vehicle that form no part of the claimed design.

1 Claim, 5 Drawing Sheets



(56)

References Cited

U.S. PATENT DOCUMENTS

D503,134 S 3/2005 Pfeiffer et al.
 D513,213 S 12/2005 Sato
 D515,991 S 2/2006 Hanaoka
 D534,105 S 12/2006 Schiavone et al.
 D534,106 S 12/2006 Matei
 D535,594 S 1/2007 Schiavone et al.
 D537,391 S 2/2007 Shimoguchi et al.
 D538,208 S 3/2007 Golden et al.
 D540,723 S 4/2007 Schiavone et al.
 D541,709 S 5/2007 Lau et al.
 D541,712 S 5/2007 Golden et al.
 D544,418 S 6/2007 Kono
 D556,649 S 12/2007 Beigel et al.
 D570,748 S 6/2008 Nakamura et al.
 D590,752 S * 4/2009 Williams D12/169
 D600,602 S 9/2009 Endoh
 D604,678 S 11/2009 Walter et al.
 D664,485 S 7/2012 Xu et al.

D668,594 S 10/2012 Davidson et al.
 D670,623 S 11/2012 Koehl et al.
 D678,139 S 3/2013 Aikawa et al.
 D679,226 S 4/2013 Schmeckpeper
 D682,169 S 5/2013 Choi
 D684,904 S 6/2013 Tase et al.
 D686,119 S 7/2013 Futschik et al.
 D690,630 S 10/2013 Kazama
 D693,279 S 11/2013 Dunkel
 D695,167 S 12/2013 Platto et al.
 D732,443 S 6/2015 Won
 D733,019 S 6/2015 Burki et al.
 D737,181 S * 8/2015 Smith D12/169
 D743,856 S * 11/2015 Ma D12/171
 D744,384 S * 12/2015 Harriton D12/169
 D744,387 S * 12/2015 Harriton D12/169
 D744,389 S 12/2015 Kawasaki
 D760,133 S * 6/2016 Bennett D12/171
 2009/0302623 A1 * 12/2009 Finney B60R 19/52
 293/115

* cited by examiner

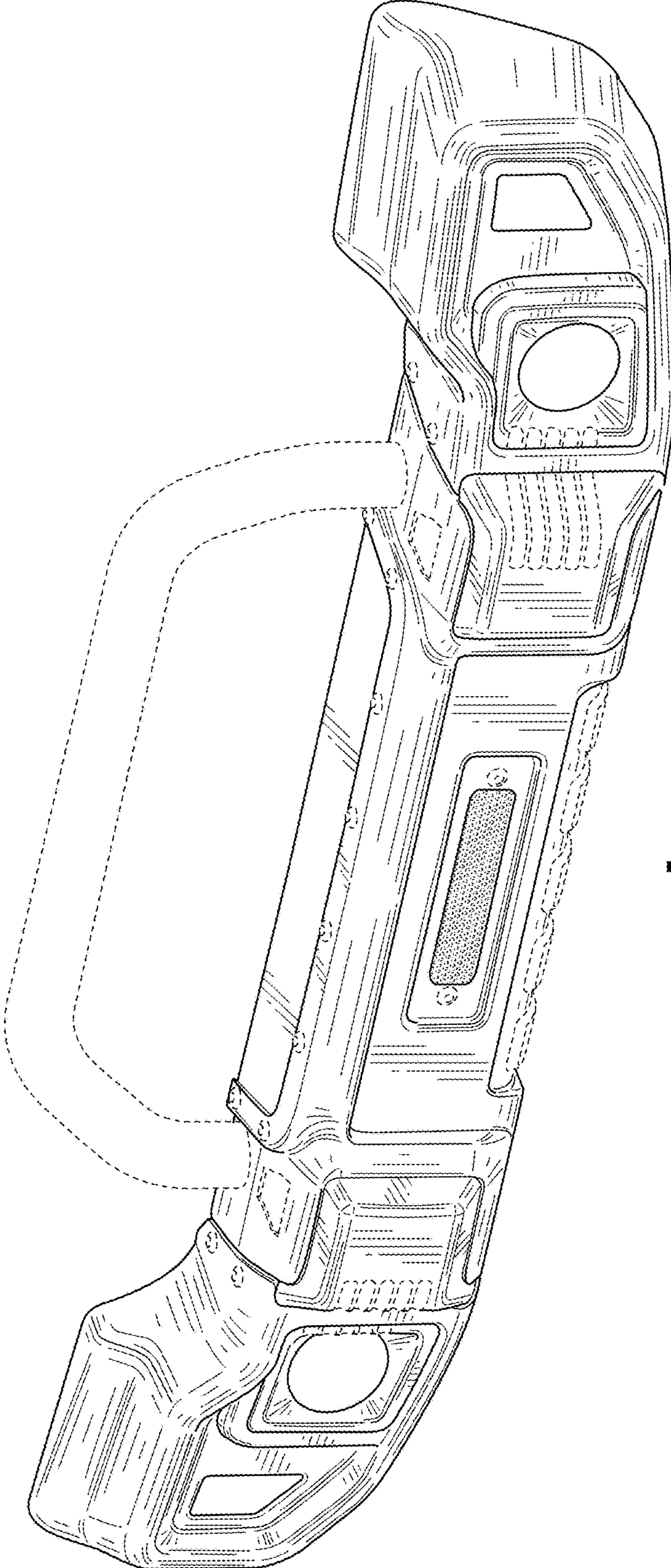


FIG. 1

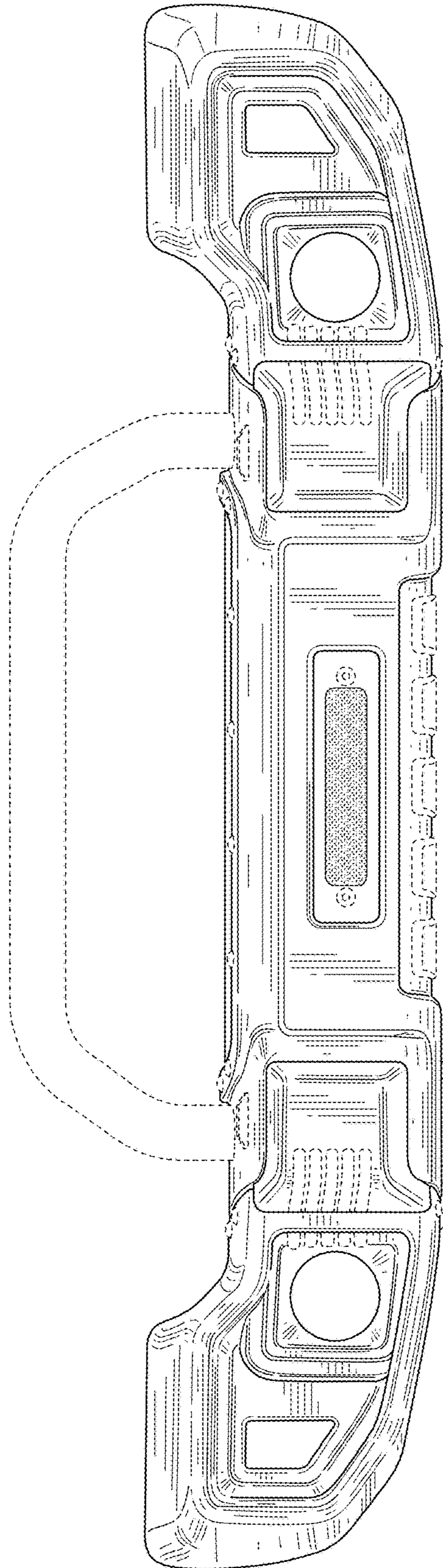


FIG. 2

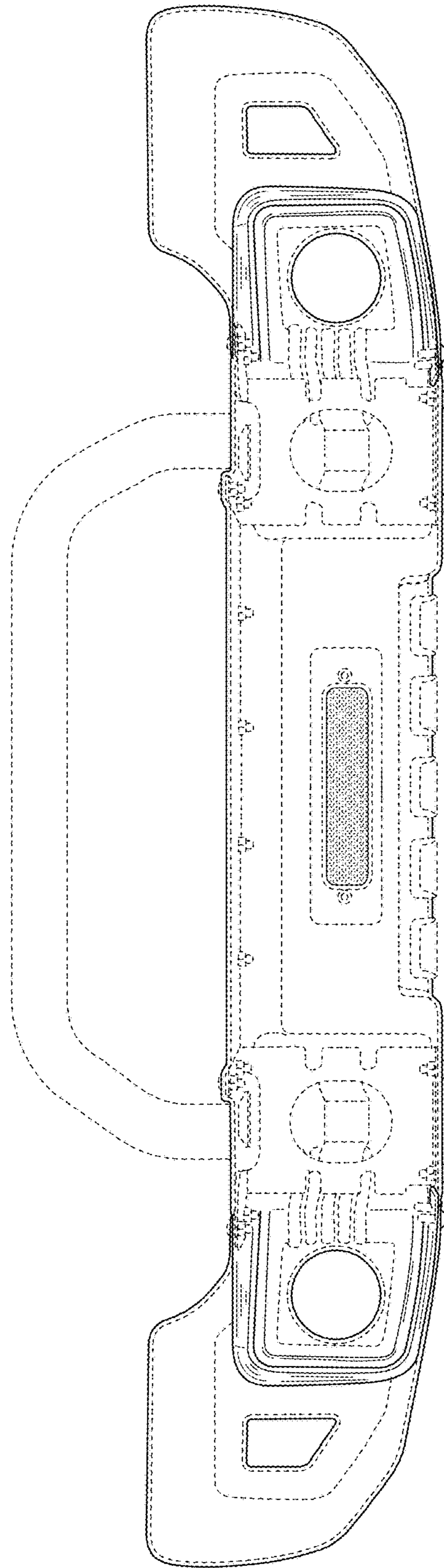


FIG. 3

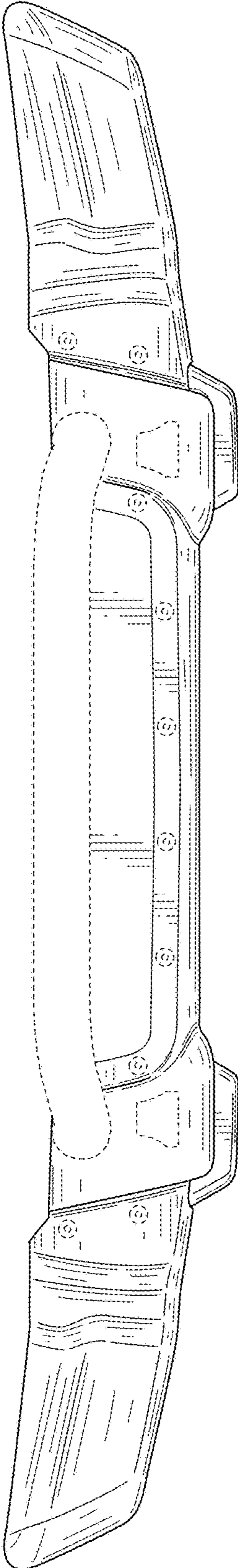


FIG. 4

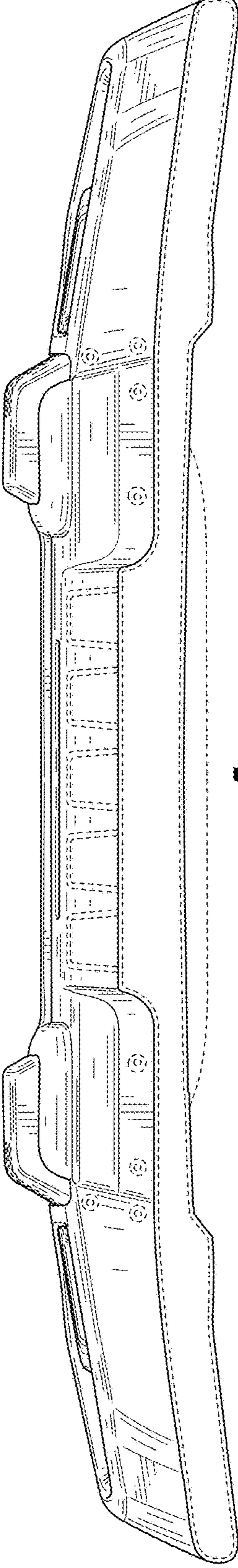


FIG. 5

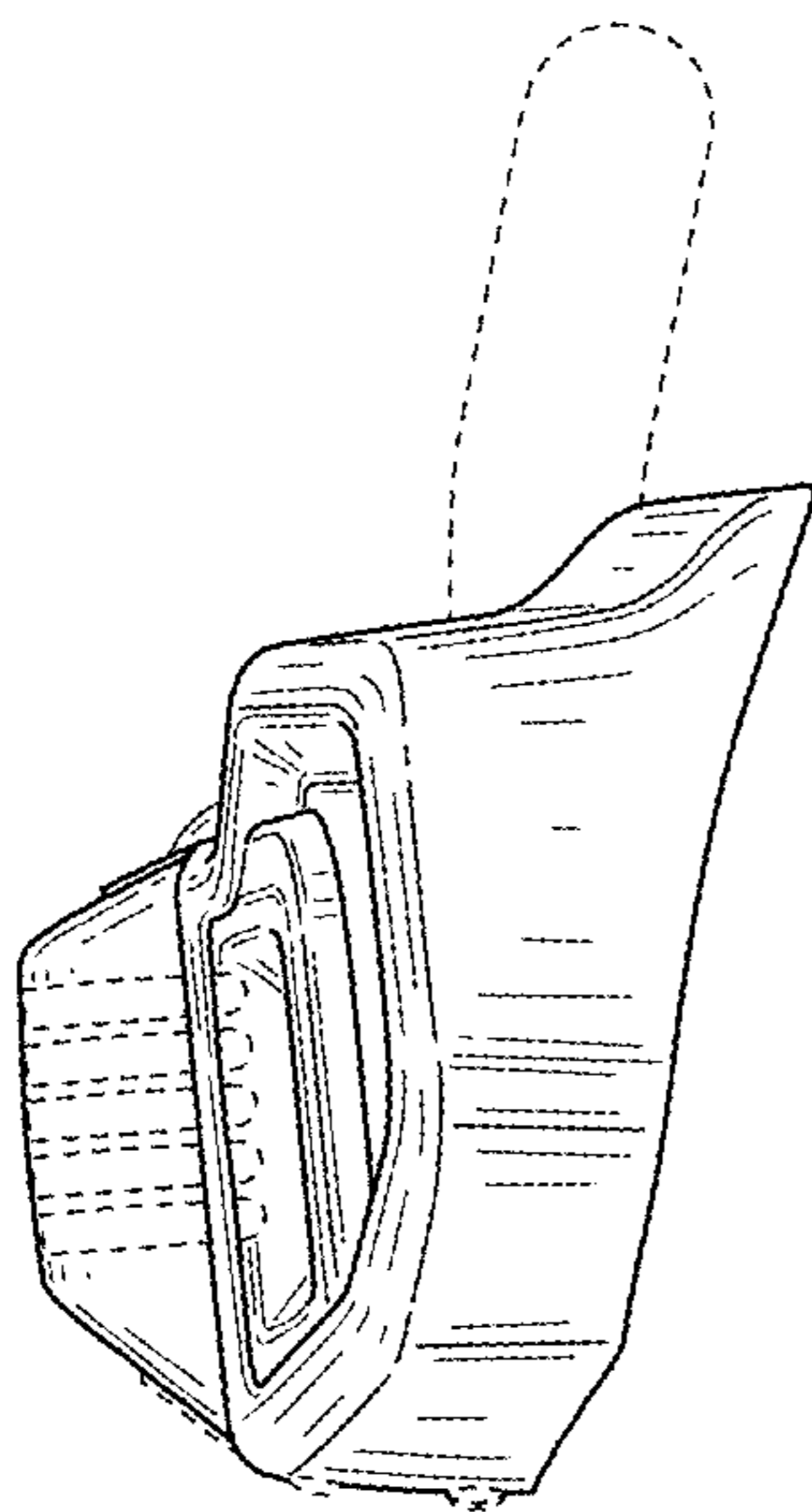


FIG. 6

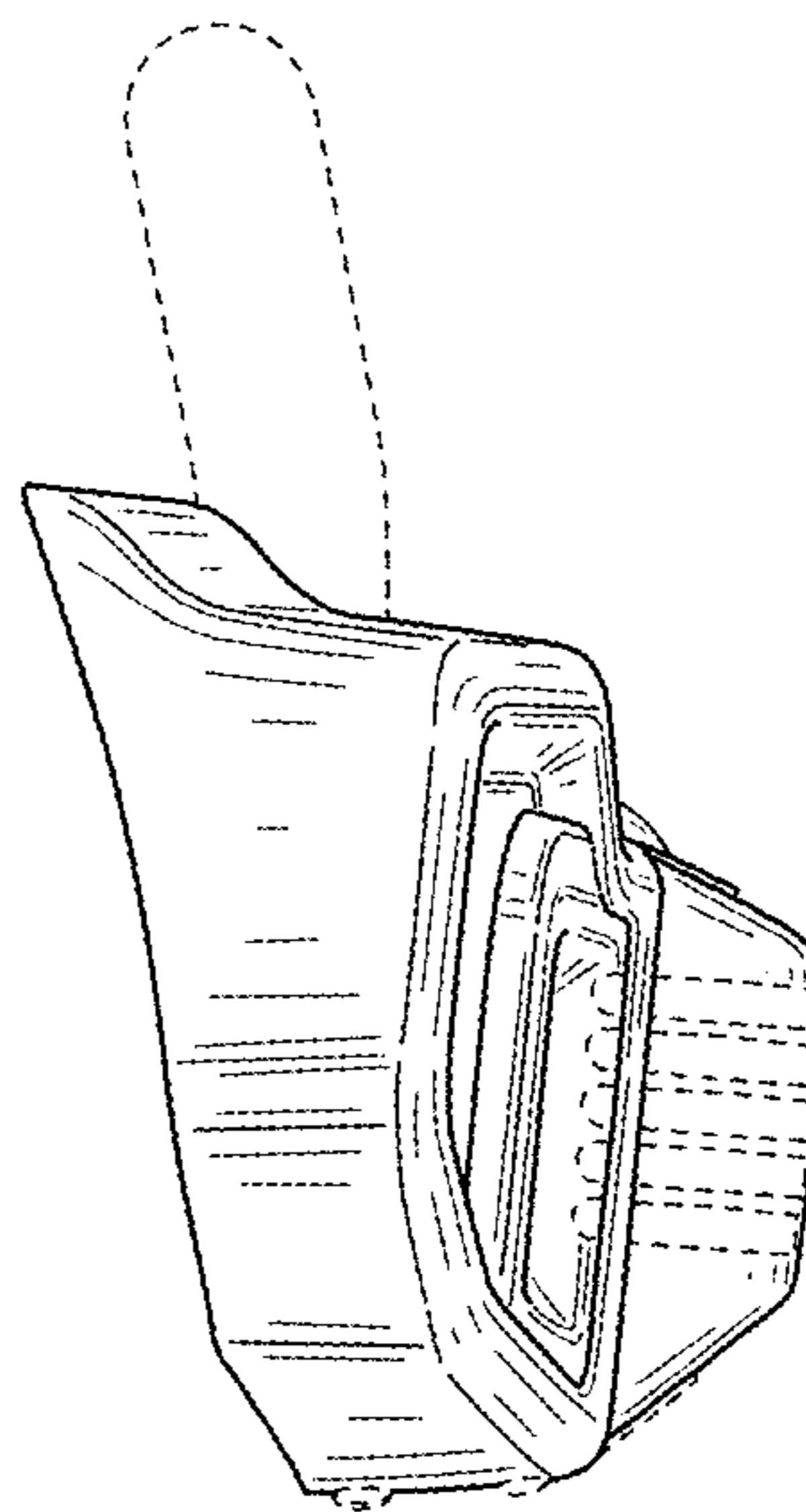


FIG. 7