



US00D776581S

(12) **United States Design Patent** (10) **Patent No.:** **US D776,581 S**
Pevovar et al. (45) **Date of Patent:** **** Jan. 17, 2017**

(54) **VEHICLE REAR FASCIA**
(71) Applicant: **GM Global Technology Operations LLC**, Detroit, MI (US)
(72) Inventors: **Michael J. Pevovar**, Northville Township, MI (US); **Samuel Zhao**, Franklin, MI (US); **Jaymer Starbody**, Bryan, OH (US)
(73) Assignee: **GM Global Technology Operations LLC**, Detroit, MI (US)
(**) Term: **15 Years**
(21) Appl. No.: **29/539,057**
(22) Filed: **Sep. 10, 2015**
(51) **LOC (10) Cl.** **12-08**
(52) **U.S. Cl.**
USPC **D12/169**
(58) **Field of Classification Search**
USPC D12/86-92, 163-172; 293/102-155; 296/35.2, 193.09, 193.1, 203.02
CPC B60R 19/02; B60R 19/023; B60R 19/18; B60R 19/24; B60R 19/44; B60R 19/48; B60R 19/56; B60R 2019/527; B60R 2019/1886
See application file for complete search history.

D603,755 S 11/2009 Peters
D604,203 S 11/2009 O'Donnell
D605,082 S 12/2009 Munson
D605,083 S 12/2009 Manoogian, II et al.
D605,977 S 12/2009 Zipfel et al.
D605,978 S 12/2009 Wolff et al.
D608,249 S 1/2010 Peters
D608,690 S 1/2010 Folden et al.
D608,691 S 1/2010 Zak, Jr. et al.
D608,701 S * 1/2010 Burki D12/164
(Continued)

OTHER PUBLICATIONS

Seabaugh, Christian. "2016 Chevrolet Malibu 1.5T First Test Review." motortrend.com. Nov. 29, 2015. Accessed Aug. 15, 2016. Available online at URL: <<http://www.motortrend.com/cars/chevrolet/malibu/2016/2016-chevrolet-malibu-15t-first-test-review/>>.*

(Continued)

Primary Examiner — Cathron Brooks
Assistant Examiner — Christian P McLean
(74) *Attorney, Agent, or Firm* — Reising Ethington P.C.

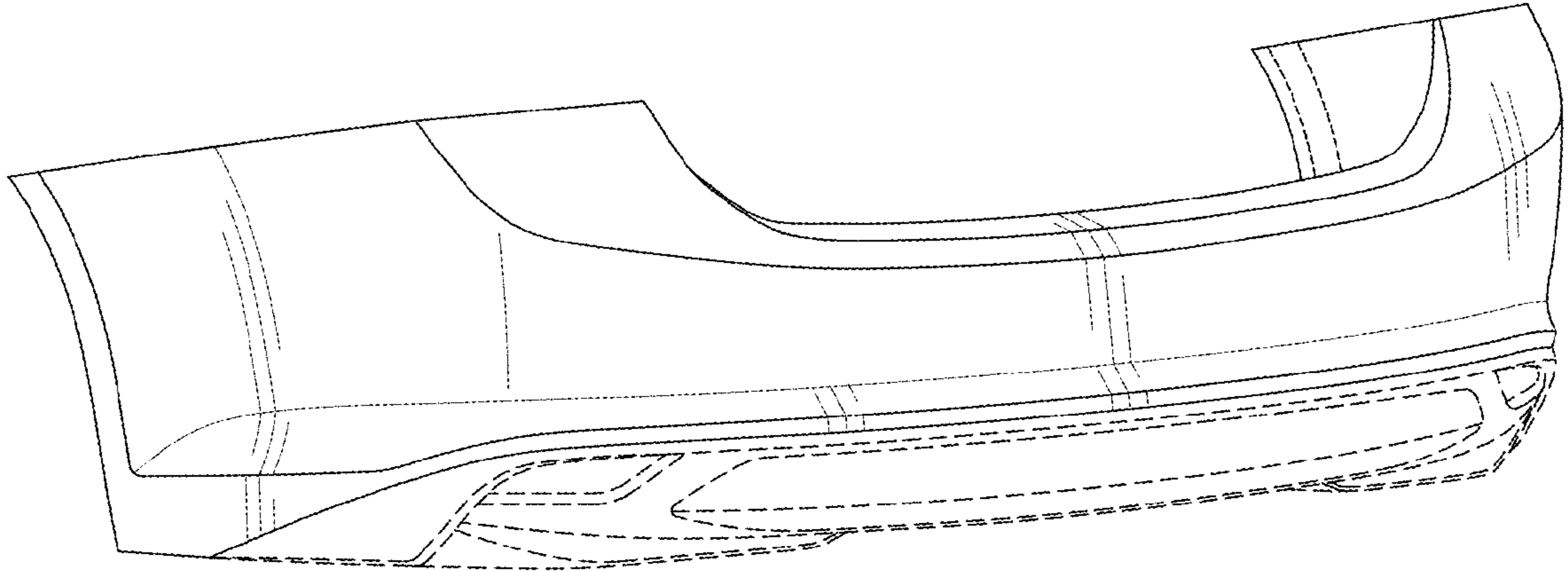
(57) **CLAIM**
The ornamental design for a vehicle rear fascia, as shown and described.

DESCRIPTION

FIG. 1 is a perspective view of the vehicle rear fascia; FIG. 2 is a front view thereof; FIG. 3 is a left side elevation view thereof; and, FIG. 4 is a top plan view thereof.
The right side elevation view of the vehicle rear fascia is omitted because the right side elevation view is identical to the left side elevation view. And the broken lines shown in the drawings depict portions of the vehicle rear fascia that form no part of the claimed design.

1 Claim, 2 Drawing Sheets

(56) **References Cited**
U.S. PATENT DOCUMENTS
D540,223 S * 4/2007 Sumigama D12/169
D559,152 S * 1/2008 Okumoto D12/90
D570,742 S 6/2008 Takagi et al.
D592,105 S 5/2009 Dean et al.
D597,447 S 8/2009 Folden
D600,595 S 9/2009 Nakamura et al.
D601,925 S 10/2009 O'Donnell
D602,410 S * 10/2009 Bauer D12/164



(56)

References Cited

U.S. PATENT DOCUMENTS

D609,608 S 2/2010 Boniface et al.
 D611,387 S 3/2010 Thompson et al.
 D611,879 S 3/2010 Kim et al.
 D612,297 S 3/2010 Peters et al.
 D613,645 S 4/2010 Song et al.
 D615,458 S 5/2010 Thompson et al.
 D618,595 S 6/2010 Ware et al.
 D623,090 S 9/2010 Cox et al.
 D627,262 S 11/2010 Ikeda et al.
 D635,488 S 4/2011 Phipps
 D644,147 S 8/2011 Suh et al.
 D644,567 S 9/2011 Kozub
 D650,312 S * 12/2011 Fetherston D12/164
 D650,313 S * 12/2011 Fetherston D12/164
 D657,718 S 4/2012 Zipfel et al.
 D659,052 S 5/2012 Ware et al.
 D659,053 S 5/2012 Ware et al.
 D668,182 S 10/2012 Barba Franco
 D668,183 S 10/2012 Smart
 D678,820 S 3/2013 Son et al.
 D678,821 S 3/2013 Ikeda et al.
 D680,479 S * 4/2013 Frei D12/169
 D680,909 S 4/2013 Munson et al.
 D680,910 S 4/2013 David
 D684,899 S 6/2013 Baker
 D686,536 S 7/2013 McCabe et al.
 D688,605 S * 8/2013 Futschik D12/169
 D692,798 S 11/2013 Thurber
 D692,799 S 11/2013 Smith et al.
 D696,157 S 12/2013 Loeb
 D699,629 S 2/2014 Ikeda et al.
 D700,871 S 3/2014 O'Donnell et al.
 D703,103 S 4/2014 Lee
 D704,103 S 5/2014 Mack et al.
 D705,132 S 5/2014 Ware et al.
 D705,699 S 5/2014 Ware et al.
 D711,781 S * 8/2014 Badstuebner D12/91

D713,298 S 9/2014 Dyson
 D713,764 S 9/2014 Ferlazzo
 D715,706 S * 10/2014 Futschik D12/164
 D716,696 S 11/2014 Thole et al.
 D716,706 S 11/2014 Thole et al.
 D716,709 S 11/2014 Thole et al.
 D717,696 S 11/2014 Thole et al.
 D718,189 S 11/2014 Krieg et al.
 D718,683 S 12/2014 Thole et al.
 D722,282 S 2/2015 Loeb
 D722,533 S 2/2015 Thole et al.
 D722,534 S 2/2015 Munson et al.
 D724,510 S 3/2015 McMahan et al.
 D725,001 S 3/2015 McMahan et al.
 D730,776 S 6/2015 Smart
 D730,783 S 6/2015 Henriques et al.
 D732,435 S 6/2015 Mackay
 D733,018 S * 6/2015 McCabe D12/169
 D734,691 S * 7/2015 Fetherston D12/91
 D735,627 S 8/2015 Smith
 D736,451 S 8/2015 Smith
 D738,272 S * 9/2015 Kamiura D12/169
 D745,445 S * 12/2015 Loeb D12/169
 D749,985 S * 2/2016 Kozub D12/92
 D753,551 S * 4/2016 Gale D12/88
 D759,552 S * 6/2016 Lesnik D12/164
 D763,141 S * 8/2016 Lesnik D12/164

OTHER PUBLICATIONS

Stoklosa, Alexander. "2016 Chevrolet Malibu: No Yawning!" caranddriver.com. Apr. 2015. Accessed Aug. 15, 2016. Available online at URL: <<http://www.caranddriver.com/news/2016-chevrolet-malibu-photos-and-info-news>>.*
 "2016 Chevy Malibu Hybrid: Everything You Ever Wanted to Know from NYC." 06:22. YouTube.com. Published Apr. 3, 2015. Accessed Aug. 15, 2016. Available online at URL: <<https://www.youtube.com/watch?v=4TS9c6wQsfl>>.*

* cited by examiner

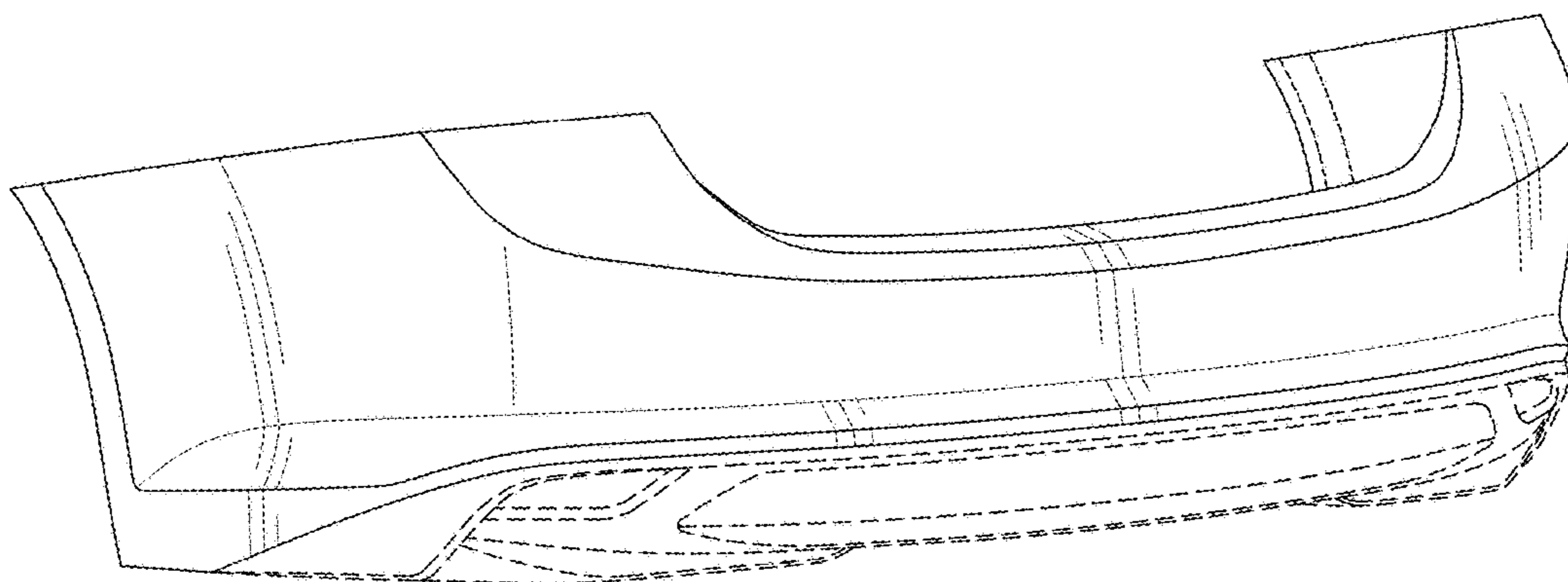


Fig. 1

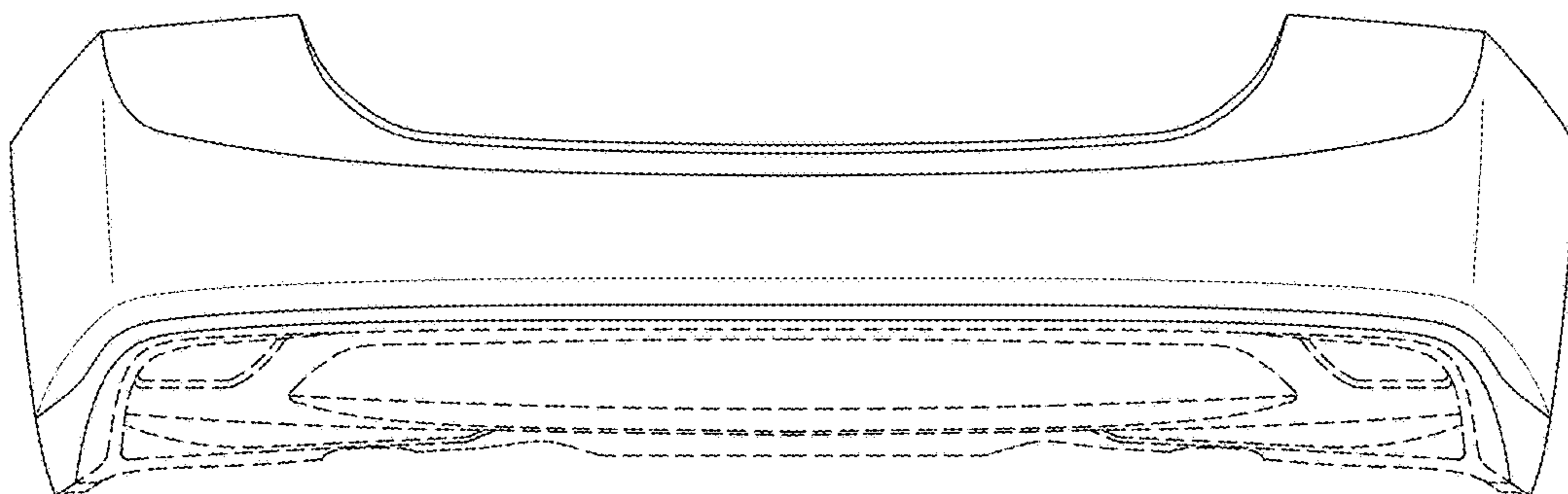


Fig. 2

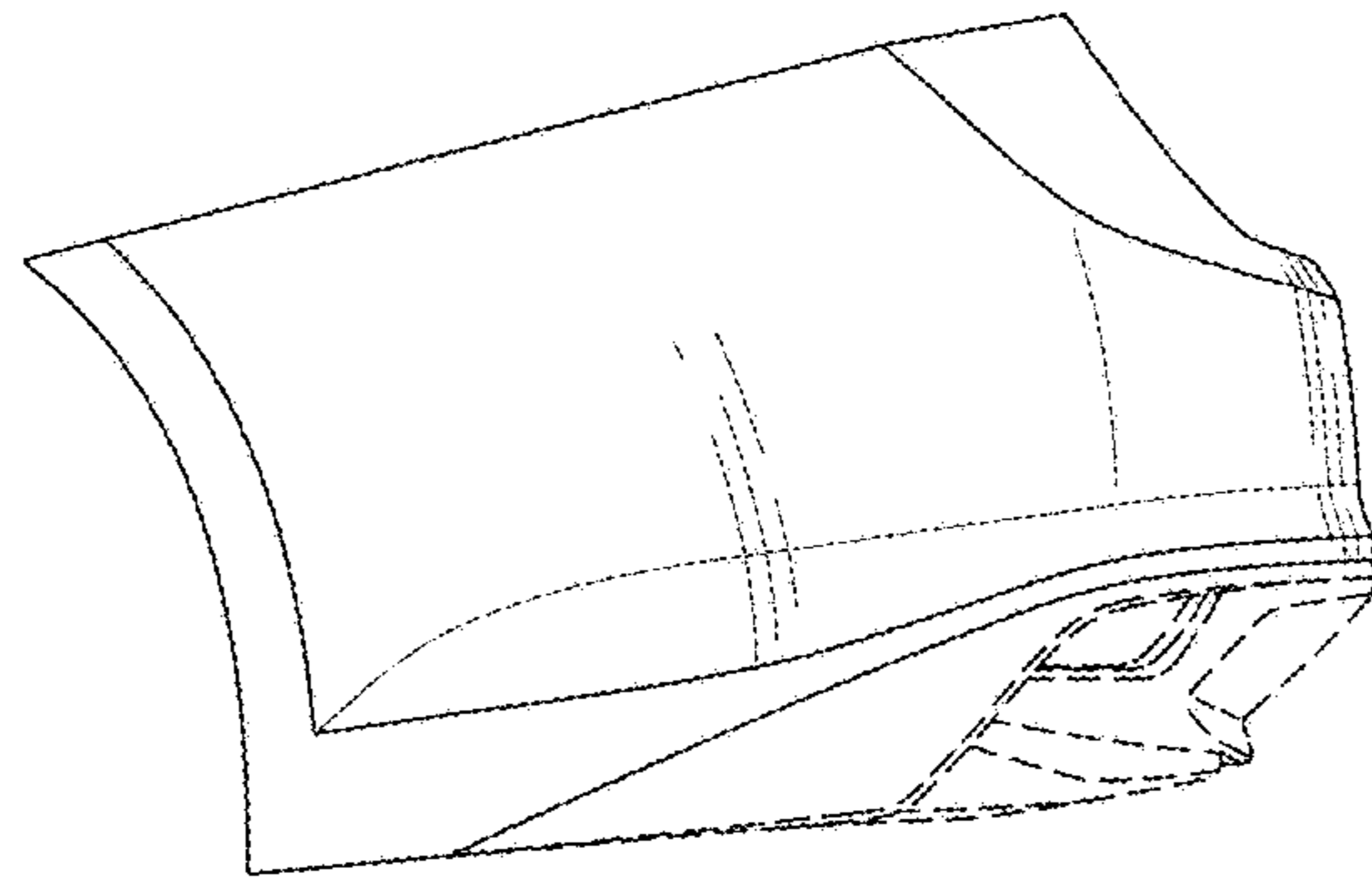


Fig. 3

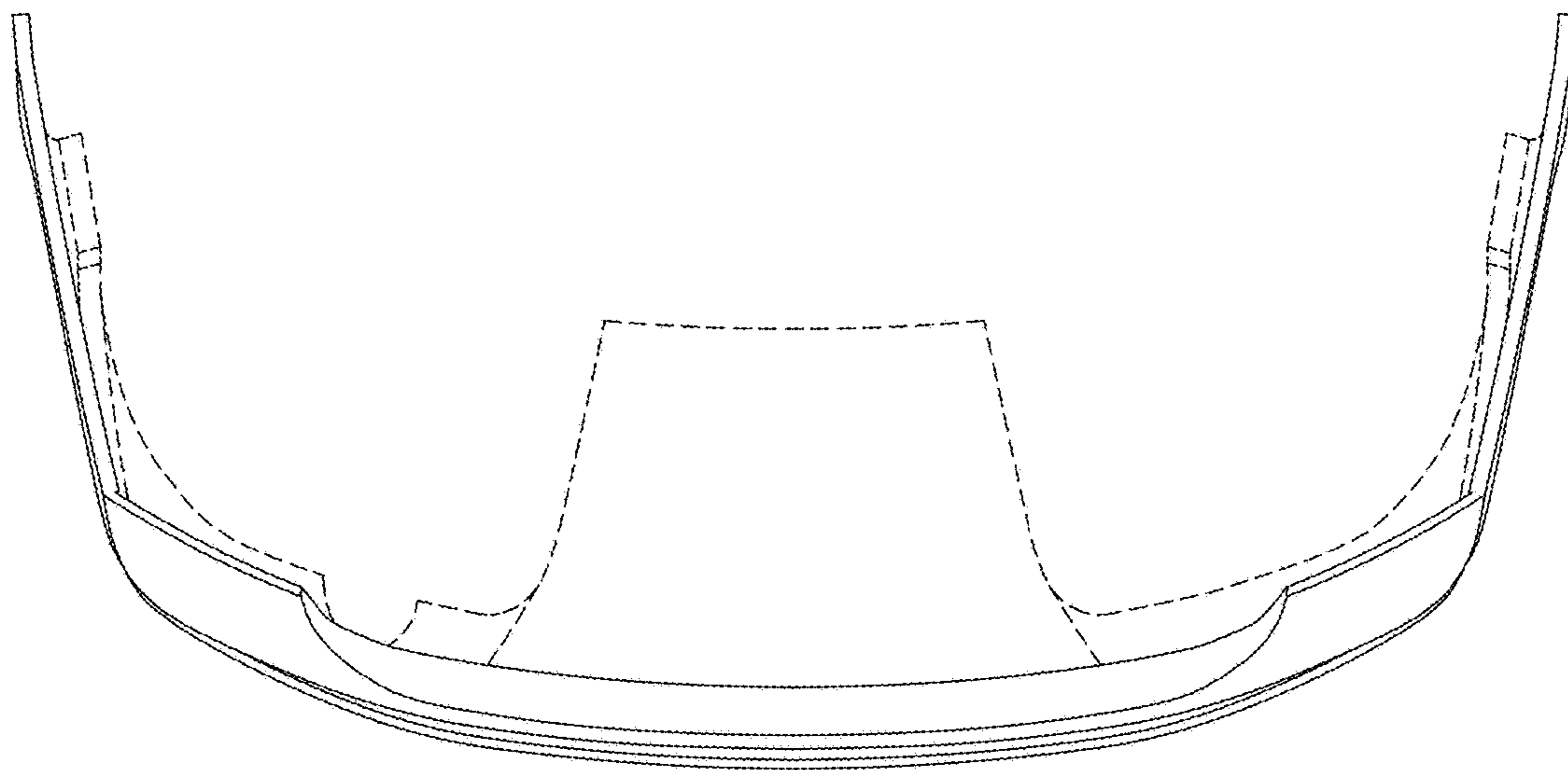


Fig. 4