



US00D776576S

(12) **United States Design Patent**
Arbour et al.

(10) **Patent No.:** **US D776,576 S**
(45) **Date of Patent:** **** Jan. 17, 2017**

(54) **ELECTRIC BICYCLE**
(71) Applicant: **TECHNOLOGIES BEWEGEN INC.**,
St-Georges, Beauce (CA)
(72) Inventors: **Dominic Arbour**, Montreal (CA);
Michel Dallaire, Montreal (CA); **Colin**
Cote, Montreal (CA)
(73) Assignee: **TECHNOLOGIES BEWEGEN INC.**,
Saint-Georges (CA)

5,833,259 A * 11/1998 Stewart B62K 25/08
280/276
5,841,351 A 11/1998 Rey
5,917,407 A 6/1999 Squire et al.
D414,141 S * 9/1999 Tsai D12/118
6,006,850 A 12/1999 Yu
6,081,205 A 6/2000 Williams et al.
6,249,744 B1 6/2001 Morita
6,371,230 B1 4/2002 Ciarla et al.
6,384,717 B1 5/2002 Devolpi
D464,003 S * 10/2002 Chen D12/118
D485,512 S * 1/2004 Liu D12/111

(Continued)

(**) Term: **14 Years**

FOREIGN PATENT DOCUMENTS

(21) Appl. No.: **29/499,655**
(22) Filed: **Aug. 18, 2014**
(51) **LOC (10) Cl.** **12-11**
(52) **U.S. Cl.**
USPC **D12/111; D12/118**
(58) **Field of Classification Search**
USPC D12/111, 117, 118; 280/274–280, 281.1,
280/283–288, 288.1–288.4
CPC B62K 3/00; B62K 3/005; B62K 9/00;
B62K 19/00; B62K 19/02; B62K 19/04;
B62K 19/06; B62K 19/16
See application file for complete search history.

EP 2639144 9/2013
FR 2764261 12/1998

Primary Examiner — Darlington Ly
(74) *Attorney, Agent, or Firm* — Norton Rose Fulbright
Canada LLP

(57) **CLAIM**

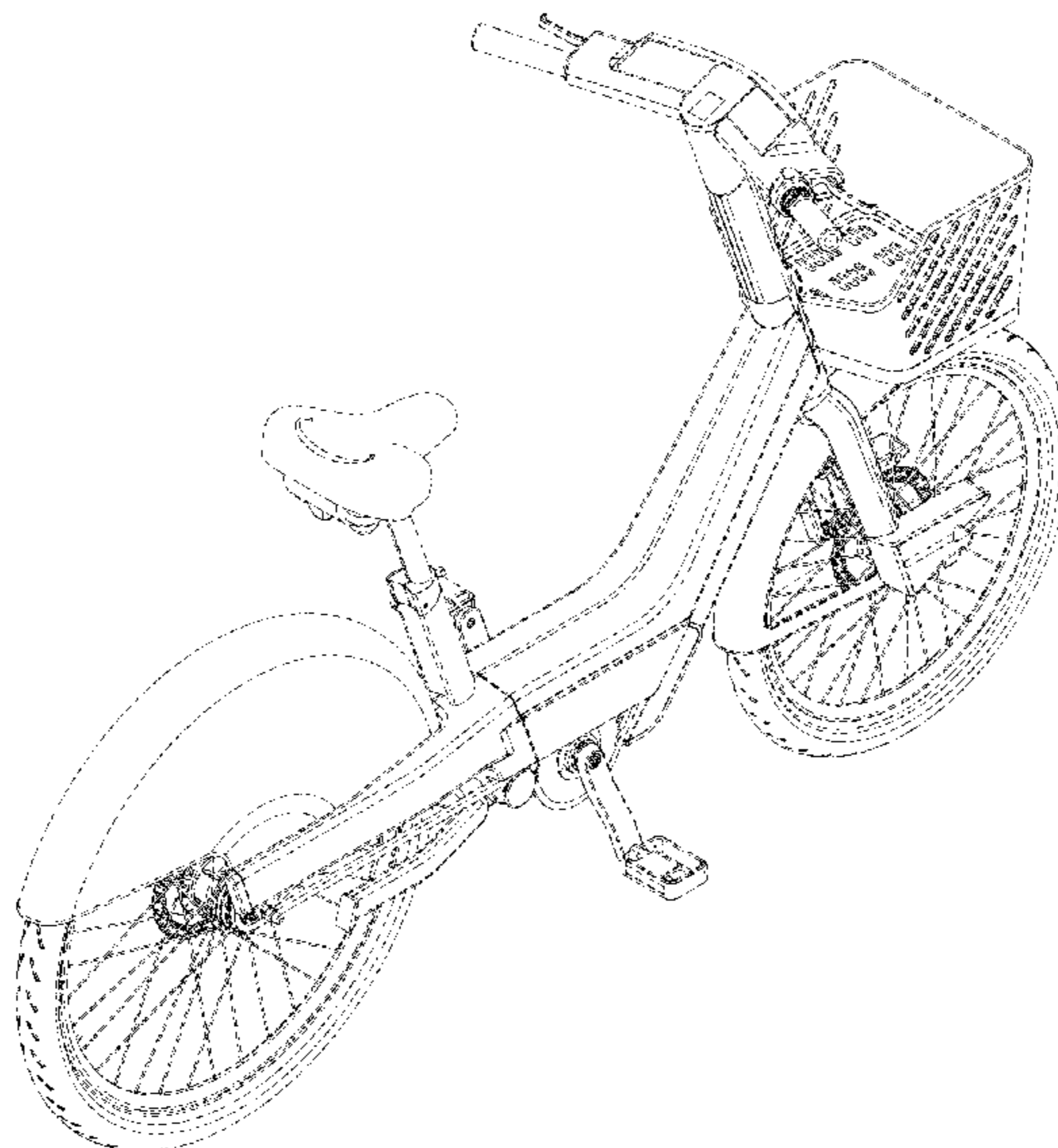
The ornamental design for an electric bicycle, as shown and described.

DESCRIPTION

(56) **References Cited**
U.S. PATENT DOCUMENTS
4,169,512 A * 10/1979 Ishikawa et al. 180/205.5
D295,844 S * 5/1988 Levine D12/118
D326,249 S * 5/1992 Chance D12/118
D340,434 S * 10/1993 Hammer D12/118
D344,253 S * 2/1994 Bishop D12/118
5,472,221 A * 12/1995 Kameda B62K 25/08
188/24.11
D368,054 S * 3/1996 Behrens D12/118
5,562,297 A * 10/1996 Lin B62K 25/08
188/24.21
D386,723 S * 11/1997 Fujieda D12/110

FIG. 1 is a right rear perspective view of an electric bicycle in accordance with our new design;
FIG. 2 is a left and front perspective view thereof;
FIG. 3 is a top plan view thereof;
FIG. 4 is a front elevation view thereof;
FIG. 5 is a rear elevation view thereof;
FIG. 6 is a left side elevation view thereof; and,
FIG. 7 is a right side elevation view thereof.
The broken lines in the drawings illustrate portions of the electric bicycle that form no part of the claimed design.

1 Claim, 7 Drawing Sheets



(56)

References Cited

U.S. PATENT DOCUMENTS

D494,108 S *	8/2004	Liao	D12/118	8,738,212 B1	5/2014	Schieffelin	
6,978,162 B2	12/2005	Russell et al.		2002/0113491 A1	8/2002	Eglit et al.	
7,034,665 B2	4/2006	Kojika		2002/0174077 A1	11/2002	Yui et al.	
D521,420 S *	5/2006	Cobb	D12/118	2003/0034873 A1	2/2003	Chase	
7,281,399 B2	10/2007	Gagosz		2004/0203564 A1	10/2004	Ho et al.	
7,468,667 B2	12/2008	Moffett		2007/0239465 A1	10/2007	Le Gars	
7,471,191 B2	12/2008	Le Gars et al.		2007/0239478 A1	10/2007	Yui et al.	
D587,630 S *	3/2009	Yang	D12/111	2007/0239627 A1	10/2007	Yui et al.	
D593,006 S	5/2009	Dallaire		2007/0250444 A1	10/2007	Yui et al.	
D594,787 S	6/2009	Dallaire		2008/0018440 A1	1/2008	Aulbers et al.	
D595,618 S	7/2009	Dallaire		2008/0027794 A1	1/2008	Le Gars et al.	
D595,646 S	7/2009	McConnell		2008/0034820 A1	2/2008	Gagosz et al.	
D597,896 S	8/2009	Dallaire		2008/0042811 A1	2/2008	Le Gars	
D600,201 S	9/2009	Dallaire		2008/0135321 A1	6/2008	Ripple et al.	
7,631,885 B2	12/2009	Safarik et al.		2008/0174431 A1	7/2008	Rodgers	
D614,084 S *	4/2010	Tanaka et al.	D12/111	2008/0297108 A1	12/2008	Le Gars	
7,726,160 B2	6/2010	Gagosz et al.		2009/0157289 A1	6/2009	Graessley	
7,729,822 B2	6/2010	Le Gars et al.		2009/0181826 A1	7/2009	Turner	
D620,400 S *	7/2010	Haller et al.	D12/111	2009/0201127 A1	8/2009	Stobbe et al.	
D620,401 S *	7/2010	Haller et al.	D12/111	2009/0240575 A1	9/2009	Bettez et al.	
D621,302 S *	8/2010	Tanaka et al.	D12/111	2009/0315737 A1	12/2009	Gilmour	
D625,228 S *	10/2010	Lockart	D12/111	2010/0079266 A1	4/2010	Holt	
D626,037 S *	10/2010	Thetard	D12/111	2010/0117863 A1	5/2010	Dutt	
D626,493 S	11/2010	Dallaire et al.		2010/0228405 A1	9/2010	Morgal et al.	
7,869,576 B1	1/2011	Rodkey et al.		2010/0313614 A1	12/2010	Rzepecki	
D632,617 S	2/2011	Kritzer et al.		2011/0015814 A1	1/2011	Starr et al.	
D634,249 S	3/2011	Dallaire		2011/0037240 A1	2/2011	Krintzae	
7,898,439 B2	3/2011	Bettez et al.		2011/0115193 A1	5/2011	Giroux	
7,920,054 B2	4/2011	Chen et al.		2011/0121538 A1	5/2011	Giroux	
7,946,432 B1	5/2011	Swanson et al.		2011/0148346 A1	6/2011	Gagosz et al.	
7,976,048 B2	7/2011	Bartolome Garcia et al.		2011/0161141 A1	6/2011	Bettez et al.	
8,013,569 B2	9/2011	Hartman		2011/0226708 A1	9/2011	Mercat	
8,061,499 B2	11/2011	Khairallah		2011/0307394 A1	12/2011	Rzepecki	
D651,539 S *	1/2012	Thetard	D12/111	2012/0042725 A1	2/2012	Cote et al.	
8,119,968 B2	2/2012	Bigolin		2012/0080252 A1*	4/2012	Nishimori	180/65.51
8,121,785 B2	2/2012	Swisher et al.		2012/0086183 A1	4/2012	Ken	
8,272,491 B2	9/2012	Khairallah		2012/0109511 A1	5/2012	Swisher et al.	
D668,216 S	10/2012	Dallaire		2012/0196631 A1	8/2012	Fajstrup Axelsen	
8,280,619 B2	10/2012	Watkins		2012/0239248 A1	9/2012	Bobbitt	
8,319,091 B2	11/2012	Lyden		2012/0313568 A1	12/2012	Paluszek et al.	
D673,902 S	1/2013	Dallaire		2013/0031121 A1	1/2013	Sera et al.	
D675,132 S *	1/2013	Colp	D12/118	2013/0042542 A1	2/2013	Welschholz	
8,364,388 B2	1/2013	Naito		2013/0049674 A1	2/2013	Davis	
8,364,389 B2	1/2013	Dorogusker et al.		2013/0063283 A1	3/2013	Kashima	
8,375,655 B1	2/2013	Welschholz		2013/0073428 A1	3/2013	Thramann	
8,432,270 B2	4/2013	Lee et al.		2013/0076294 A1	3/2013	Smith	
8,437,873 B2	5/2013	North		2013/0076295 A1	3/2013	Tsai et al.	
8,438,946 B2	5/2013	Giroux		2013/0080254 A1	3/2013	Thramann et al.	
8,448,971 B2	5/2013	Giroux		2013/0127395 A1	5/2013	Santos Silva Serra Duarte	
8,504,236 B2	8/2013	Guo et al.		2013/0150028 A1	6/2013	Akins et al.	
8,508,333 B2	8/2013	Kanof		2013/0158868 A1	6/2013	Chen et al.	
8,517,162 B2	8/2013	Khairallah		2013/0166998 A1	6/2013	Sutherland	
8,536,993 B2	9/2013	Ayotte et al.		2013/0173159 A1	7/2013	Trum et al.	
8,538,688 B2	9/2013	Prehofer		2013/0193091 A1	8/2013	Kritzer et al.	
8,577,528 B2	11/2013	Uyeki et al.		2013/0255336 A1	10/2013	Dallaire	
8,630,791 B2	1/2014	Yuasa		2013/0268448 A1	10/2013	Kanof	
8,678,205 B2	3/2014	Mercat		2014/0021908 A1	1/2014	McCool et al.	
8,706,404 B2	4/2014	Crane		2014/0136281 A1	5/2014	Culver et al.	
8,710,791 B2	4/2014	Gochenaur		2014/0155100 A1	6/2014	Baldasare et al.	
8,725,410 B2	5/2014	Ando et al.		2014/0156108 A1	6/2014	Reich	
				2014/0209400 A1*	7/2014	Yao et al.	180/167

* cited by examiner

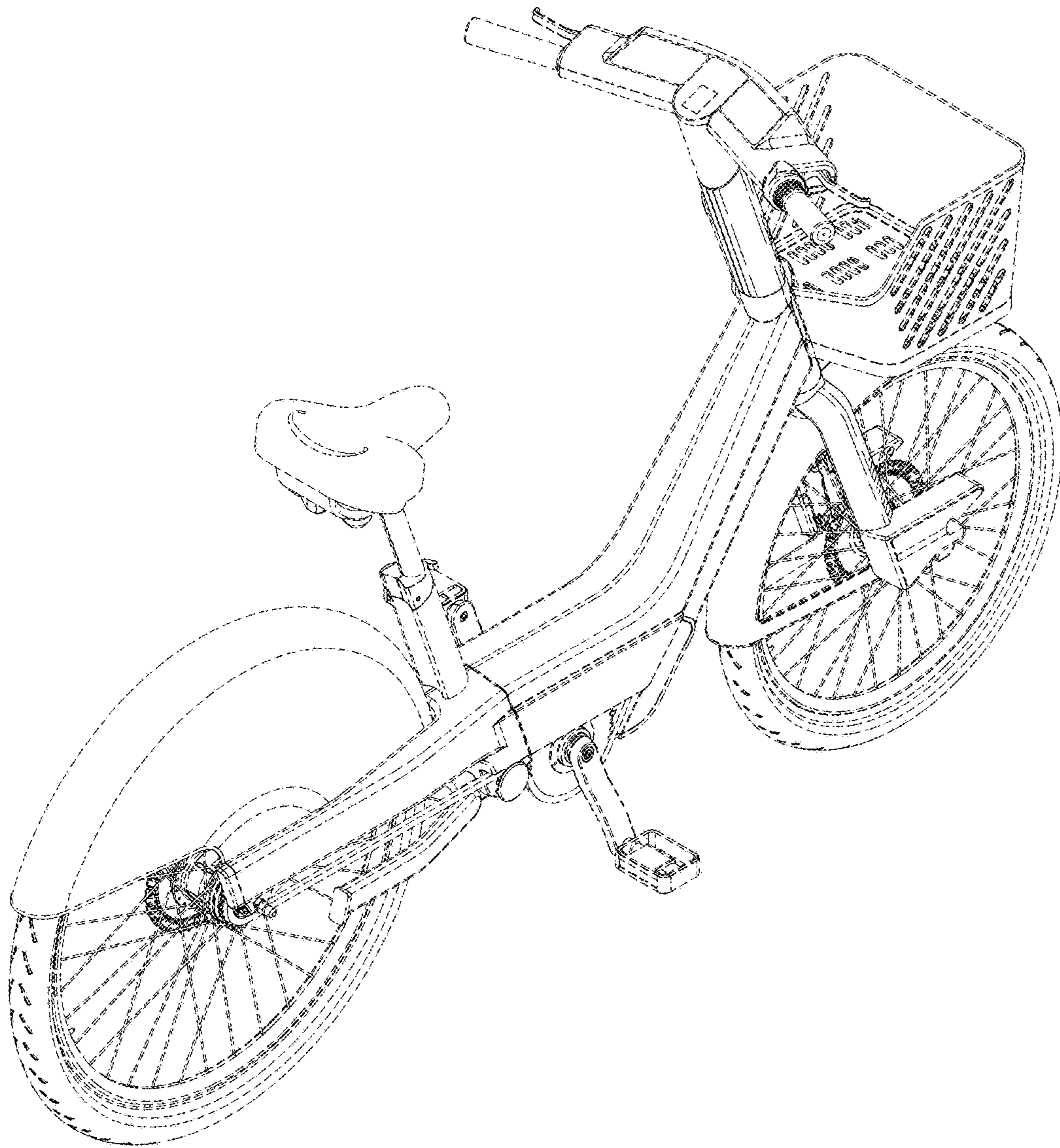


FIG-1

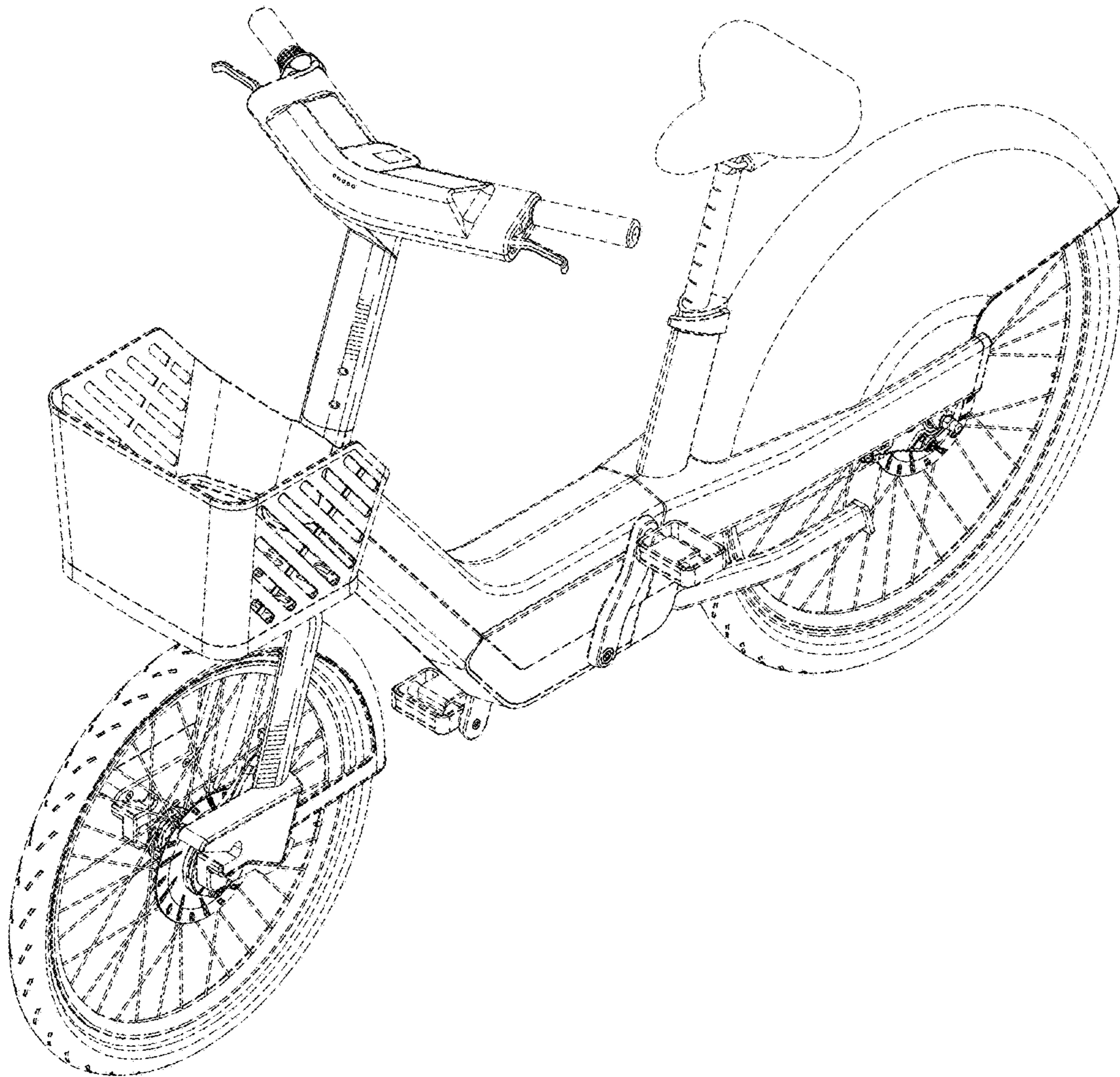


FIG. 2

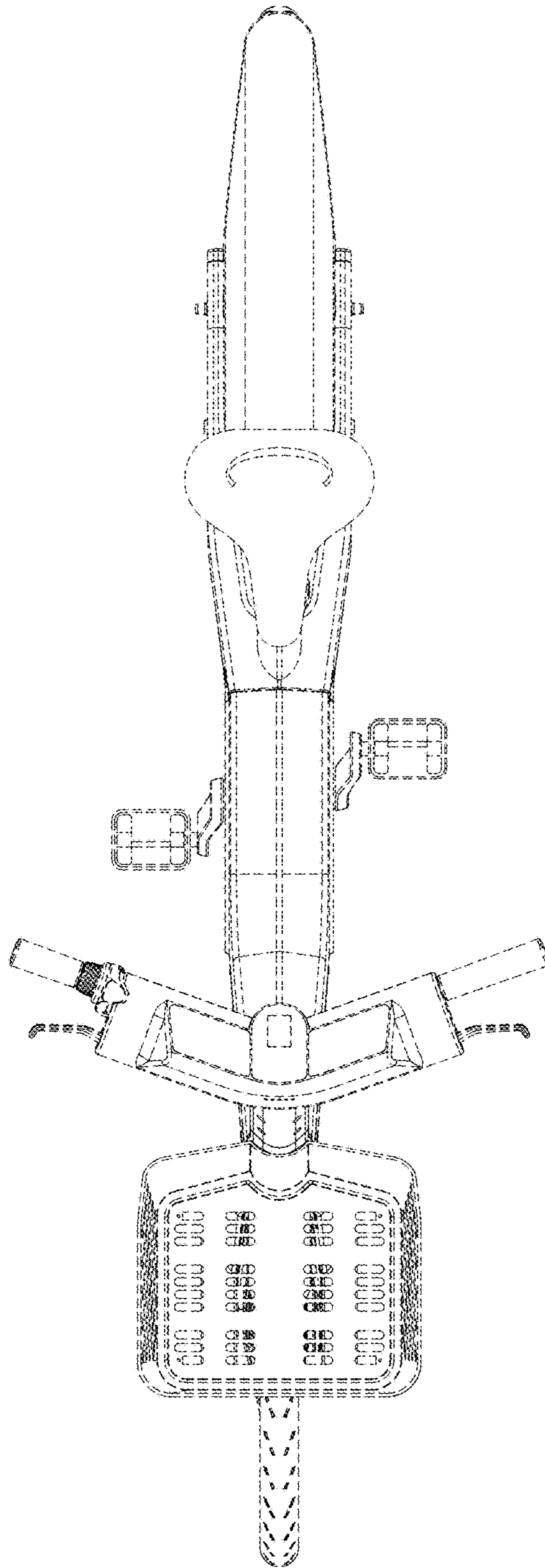


Fig. 3

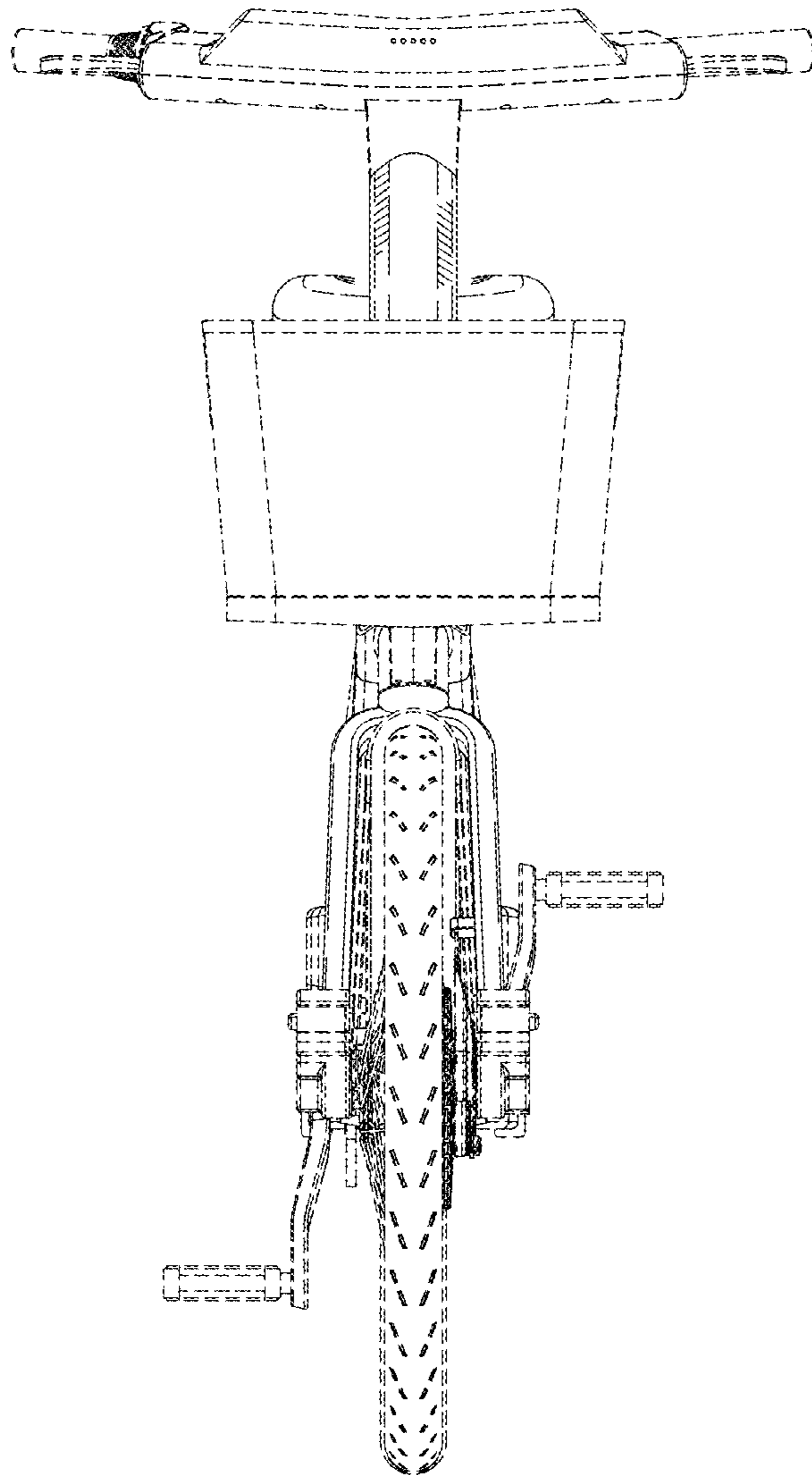


Fig-4

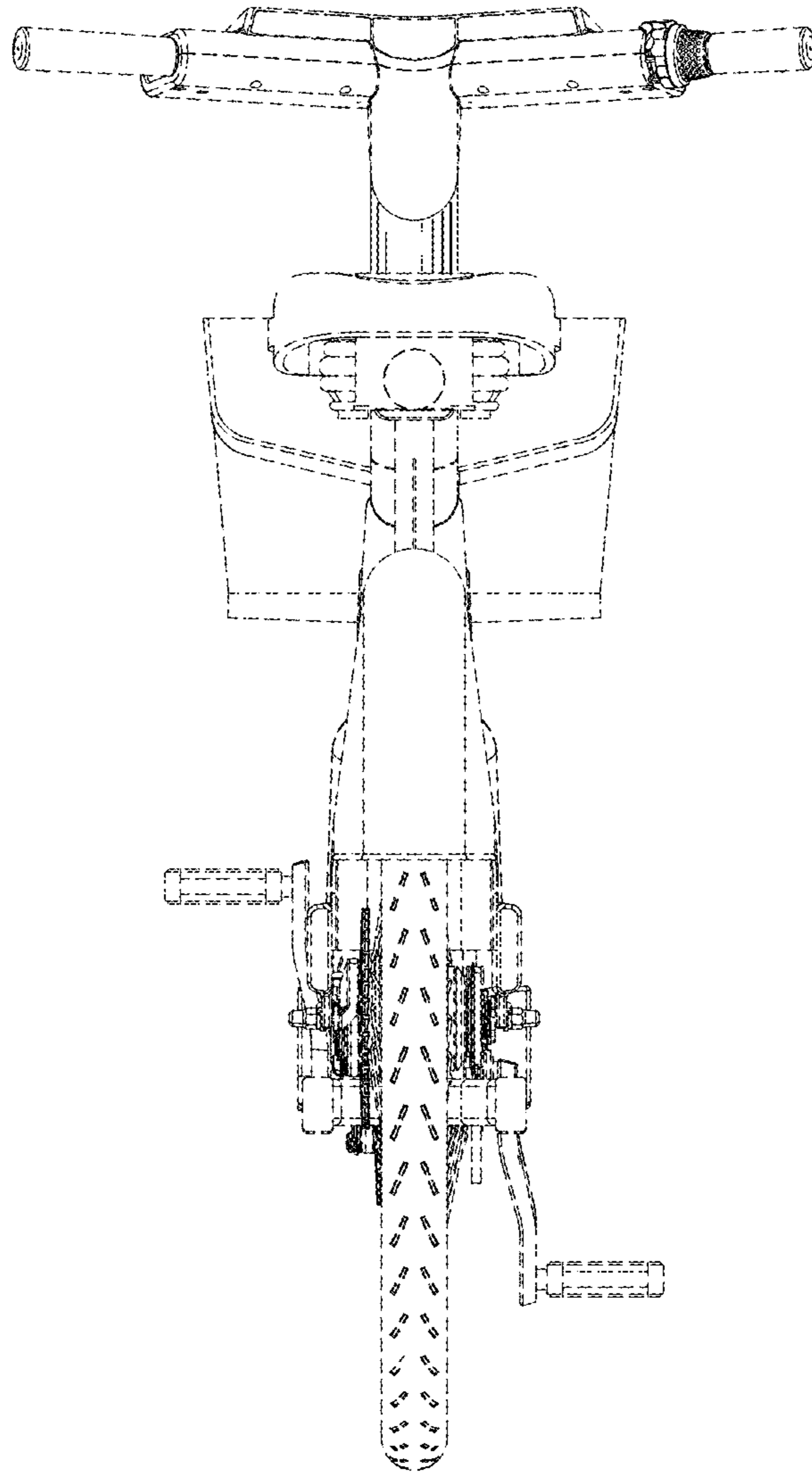


Fig. 5

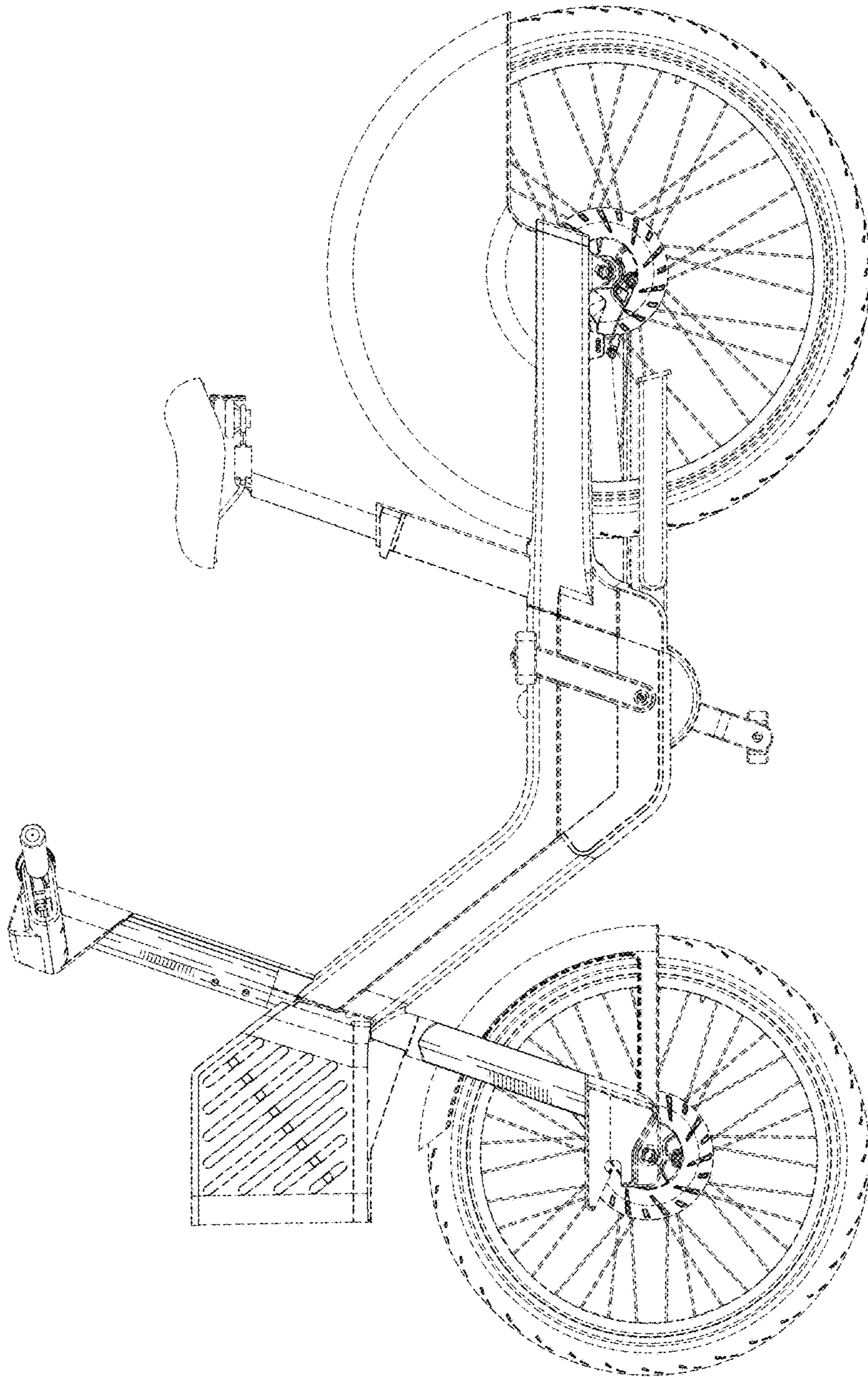


FIG. 8

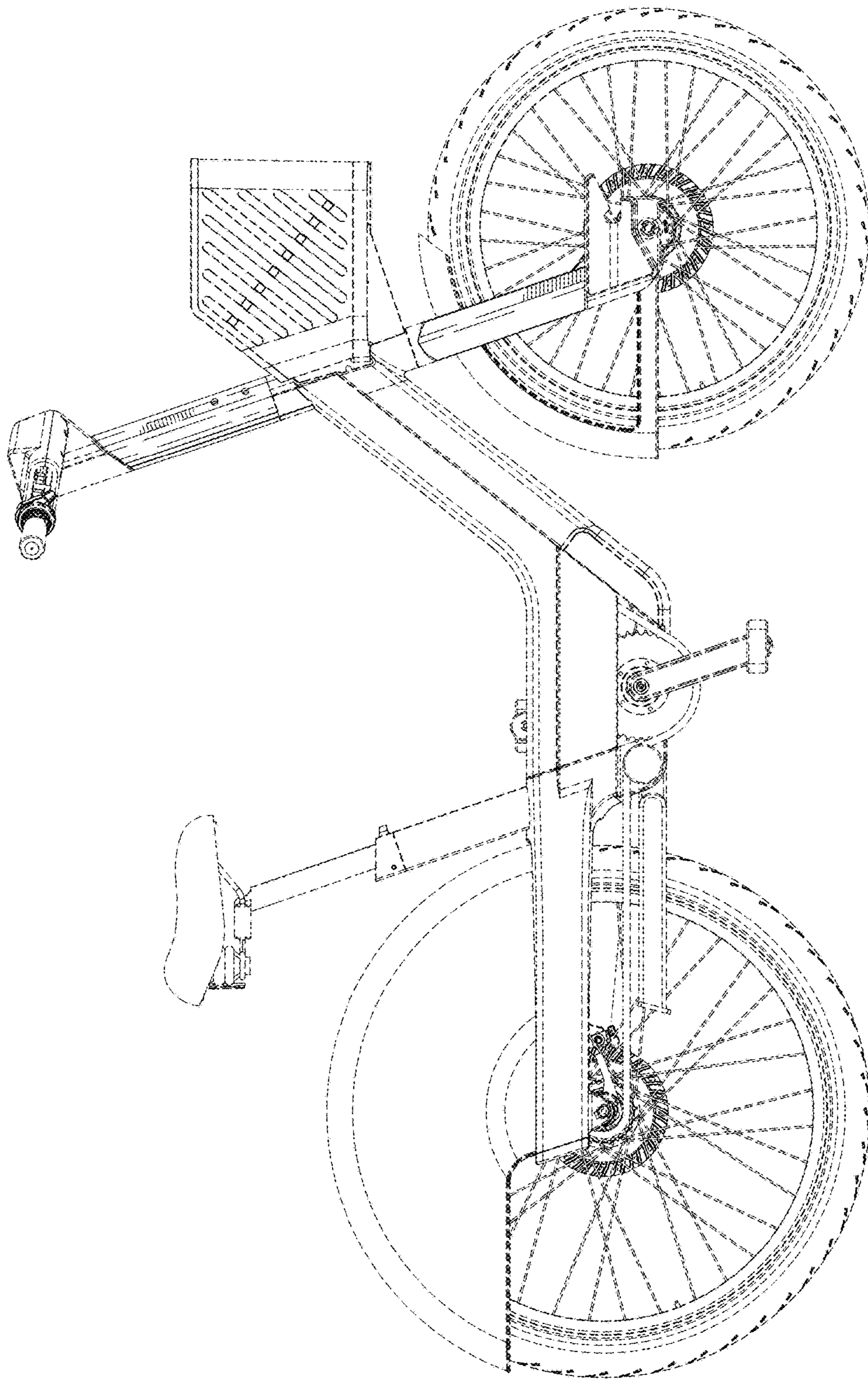


FIG. 7