



US00D776575S

(12) **United States Design Patent**
Kiska

(10) **Patent No.:** **US D776,575 S**

(45) **Date of Patent:** **** Jan. 17, 2017**

- (54) **MOTORCYCLE**
- (71) Applicant: **KTM Motorrad AG**, Mattighofen (AT)
- (72) Inventor: **Gerald Kiska**, Anif-Salzburg (AT)
- (73) Assignee: **KTM MOTORRAD AG**, Mattighofen (AT)
- (**) Term: **14 Years**

D401,892 S *	12/1998	Sugimoto	D12/110
D407,047 S *	3/1999	Otsubo	D12/110
D447,985 S *	9/2001	Ino	D12/110
D506,163 S *	6/2005	Uemoto	D12/110
D588,503 S *	3/2009	Idei	D12/110
D605,088 S *	12/2009	Tanaka	D12/110
D723,979 S *	3/2015	Yu	D12/110
D732,436 S *	6/2015	Christoph	D12/110
D734,214 S *	7/2015	Honda	D12/110
D744,906 S *	12/2015	Song	D12/110

- (21) Appl. No.: **29/525,436**
- (22) Filed: **Apr. 29, 2015**
- (51) **LOC (10) Cl.** **12-11**
- (52) **U.S. Cl.**
USPC **D12/110**
- (58) **Field of Classification Search**
USPC D12/109, 110, 111, 114, 117, 126,
D12/184, 186; D21/432, 458, 538;
180/210-217, 219, 220, 225, 229, 908;
280/103, 124, 152.1-152.3, 288.2, 288.4,
280/304.3, 770, 827, 828, 847, 848;
296/77.1, 78.1, 181.1, 187.01, 187.12,
296/192, 193.01, 193.04, 193.05, 193.09;
446/440
CPC B62D 37/00; B62D 57/00; B62K 9/00;
B62K 11/04; B62K 17/00; B62K 19/48;
B62K 11/00; B62K 11/02; B62K 11/10;
B62K 19/00; B62K 2202/00; B62M 7/12;
F02B 61/02; A63H 17/21; B62J
17/00; B62J 17/04; B62J 29/00
See application file for complete search history.

(56) **References Cited**

U.S. PATENT DOCUMENTS

4,809,800 A *	3/1989	Suzuki	B62K 11/00 180/219
D333,806 S *	3/1993	Davidson	D12/110
D392,601 S *	3/1998	Ban	D12/110

OTHER PUBLICATIONS

“2009 KTM Street Bike Models Photos.” Moto USA., Jul. 7, 2008 [online], [retrieved on Jul. 20, 2016]. Retrieved from the Internet <URL: <http://www.motorcycle-usa.com/photo-gallery/2009-ktm-street-bike-models/>>.*

(Continued)

Primary Examiner — Darlington Ly
(74) *Attorney, Agent, or Firm* — Lewis Roca Rothgerber Christie LLP

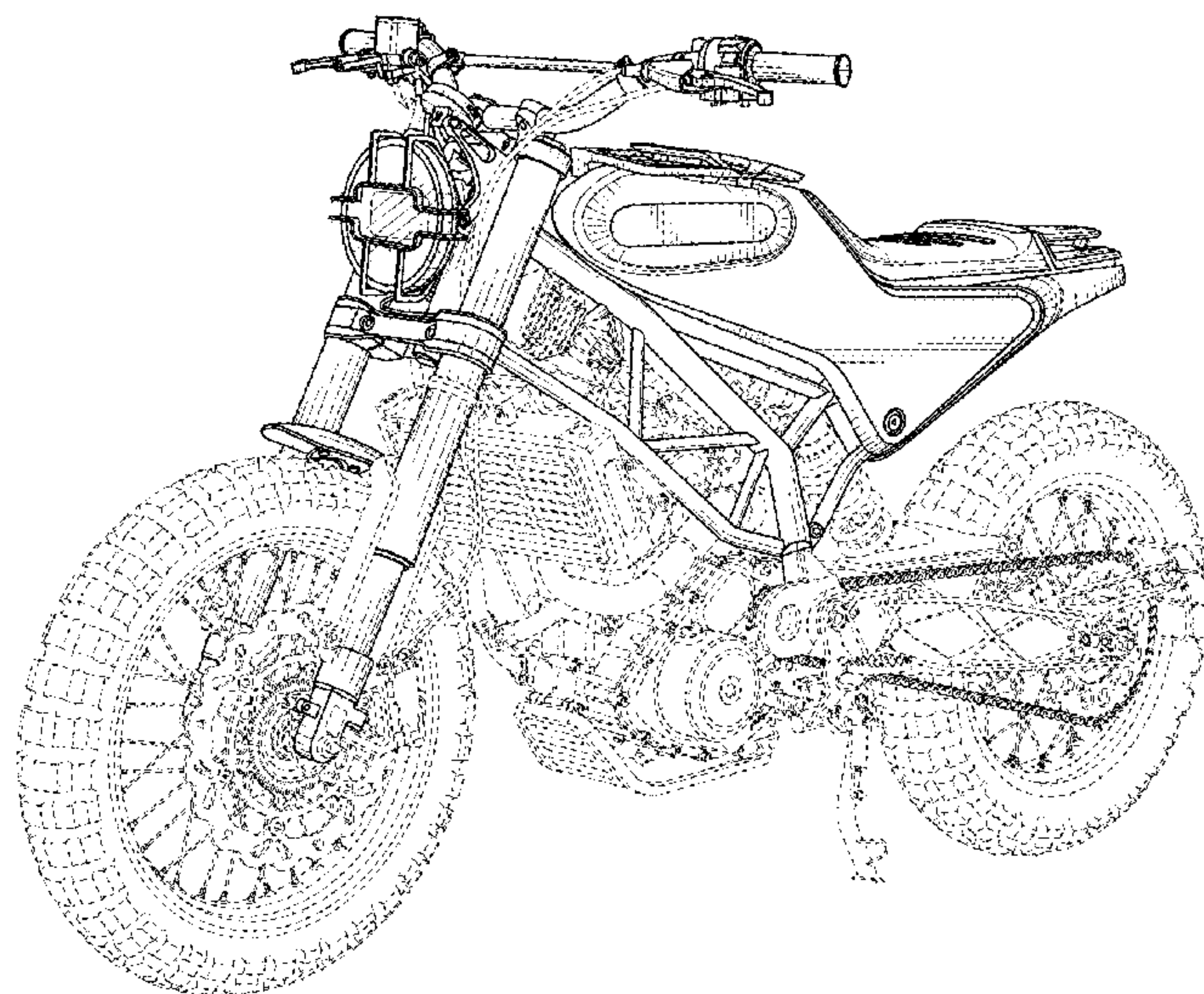
(57) **CLAIM**

The ornamental design for a motorcycle, as shown and described.

DESCRIPTION

FIG. 1 is a front and right side perspective view of a motorcycle showing my new design;
FIG. 2 is a front elevation view thereof;
FIG. 3 is a rear elevation view thereof;
FIG. 4 is a left side elevation view thereof;
FIG. 5 is a right left side elevation view thereof;
FIG. 6 is a top plan view thereof;
FIG. 7 is a bottom plan view thereof;
FIG. 8 is a rear and right side perspective view thereof; and,
FIG. 9 is a rear, top, and right side perspective view thereof.
The broken lines in the drawings illustrate portions of the motorcycle that form no part of the claimed design.

1 Claim, 9 Drawing Sheets



(56)

References Cited

OTHER PUBLICATIONS

Duke, Kevin. "2013 KTM 690 Duke Review—Video." Motorcycle., Jun. 5, 2013 [online], [retrieved on Jul. 20, 2016]. Retrieved from the Internet <URL: <http://www.motorcycle.com/manufacturer/ktm/2013-ktm-690-duke-review-video-91645.html>>.*

"2014 Suzuki SFV650." Top Speed., Nov. 15, 2013 [online], [retrieved on Aug. 20, 2016]. Retrieved from the Internet <URL: <http://www.topspeed.com/motorcycles/motorcycle-reviews/suzuki/2014-suzuki-sfv650-ar161240.html>>.*

Duke, Kevin. "2015 Ducati Scrambler Unveiled!+ Video." Motorcycle., Sep. 30, 2014 [online], [retrieved on Jul. 20, 2016]. Retrieved from the Internet <URL: <http://www.motorcycle.com/manufacturer/ducati/2015-ducati-scrambler-unveiled-video.html>>.*

U.S. Appl. No. 29/525,435, filed Apr. 29, 2015, Gerald Kiska, Motorcycle.

U.S. Appl. No. 29/525,437, filed Apr. 29, 2015, Gerald Kiska, Engine Cover for Motorcycles.

* cited by examiner

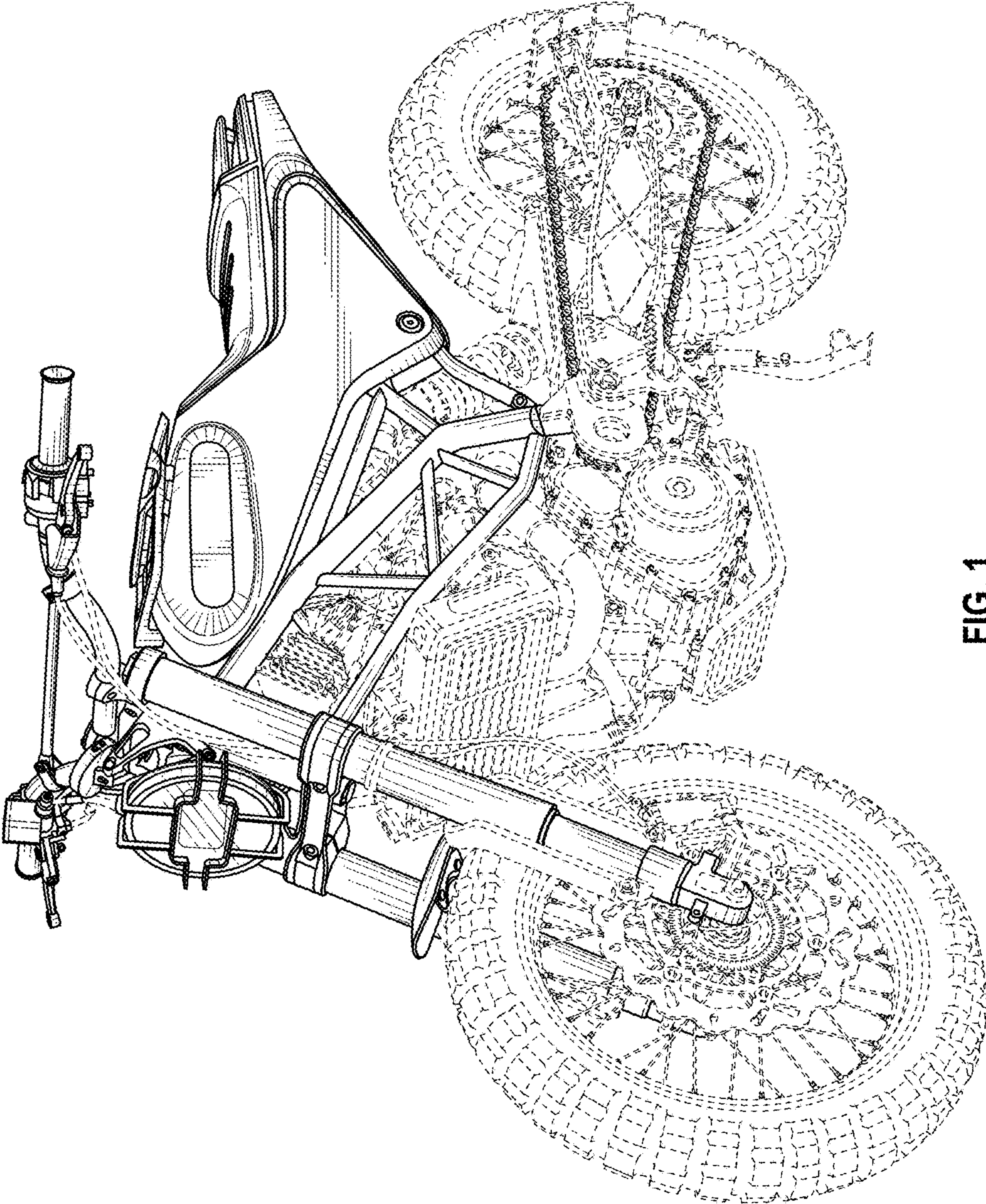


FIG. 1

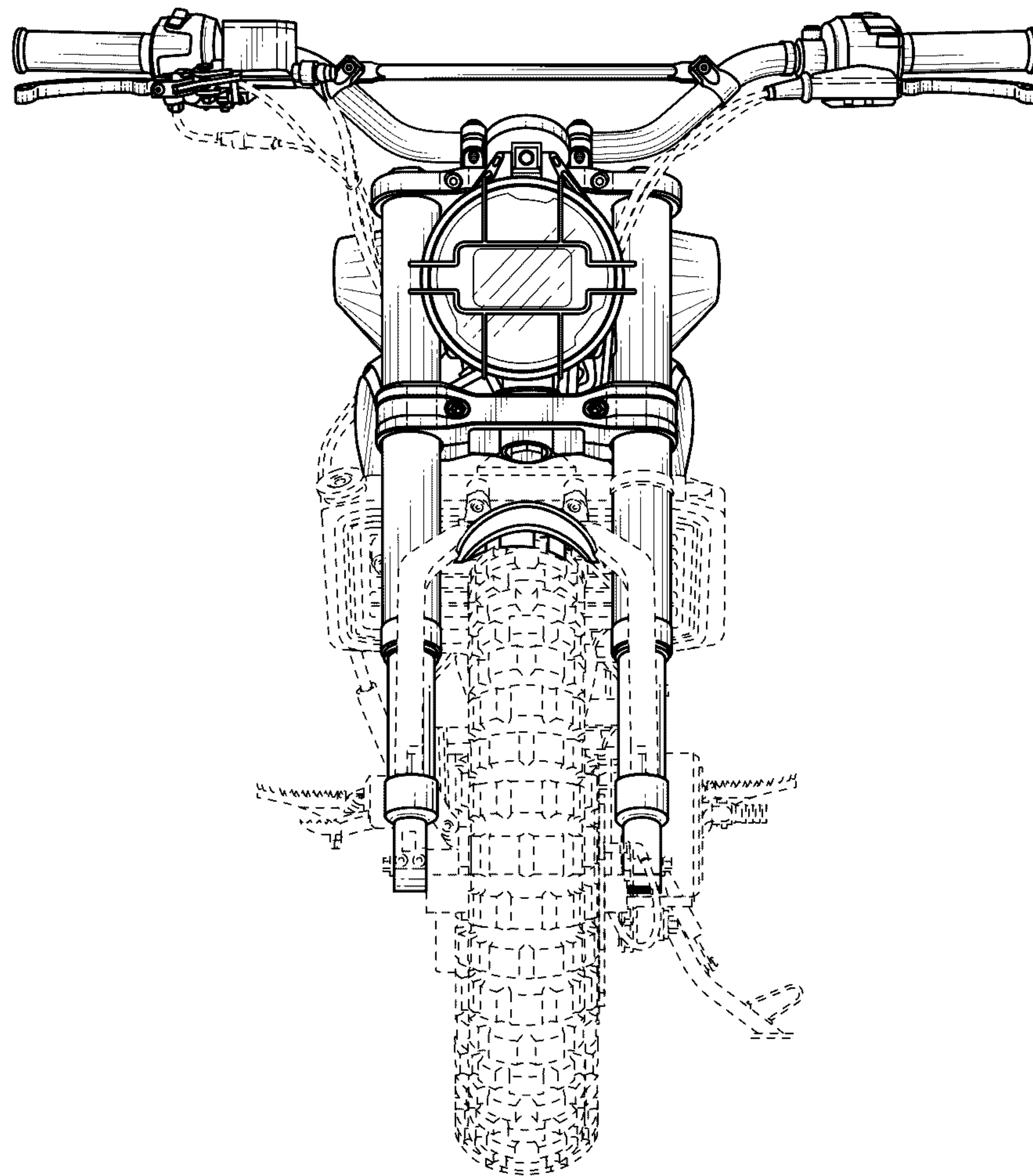


FIG. 2

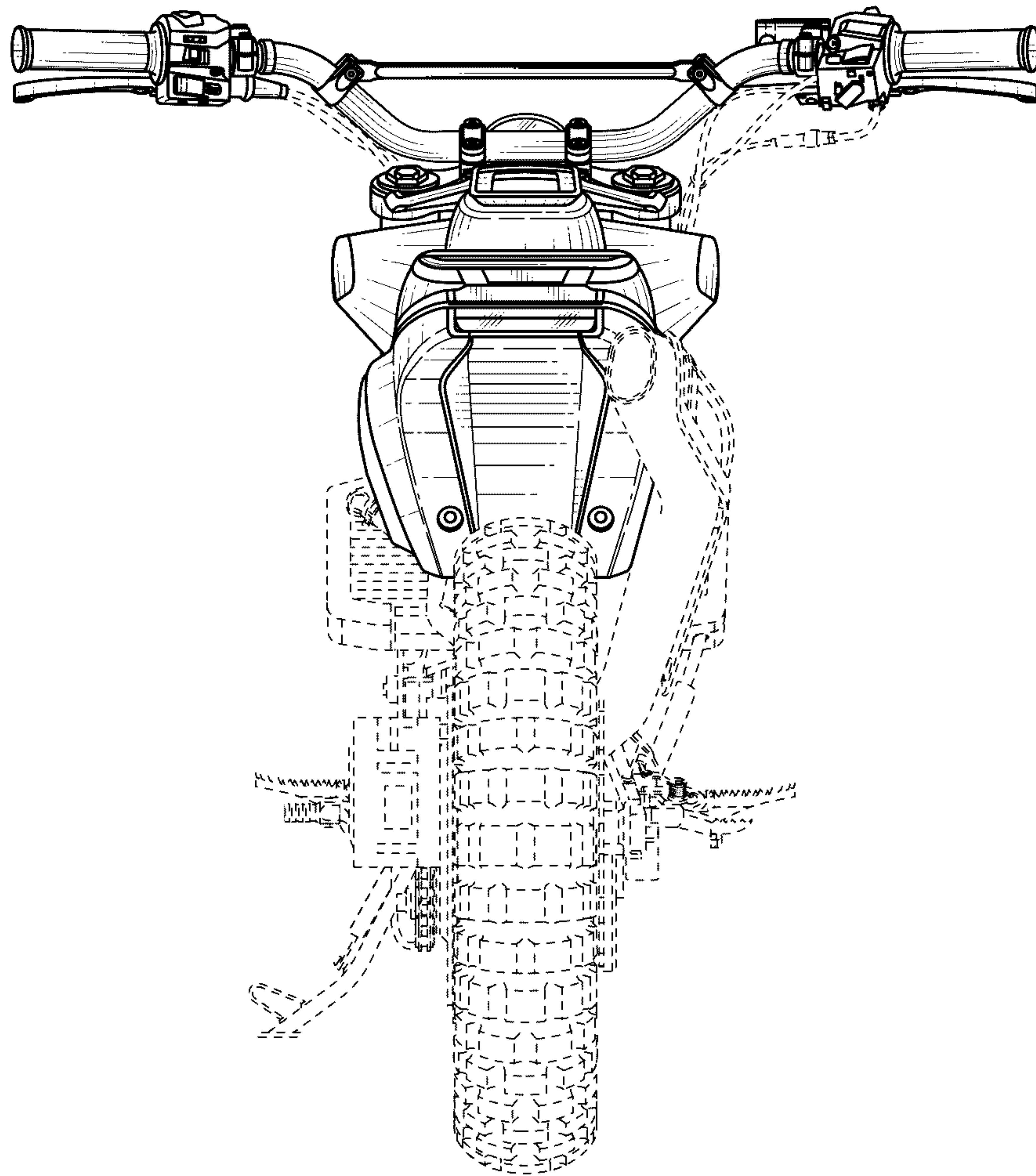


FIG. 3

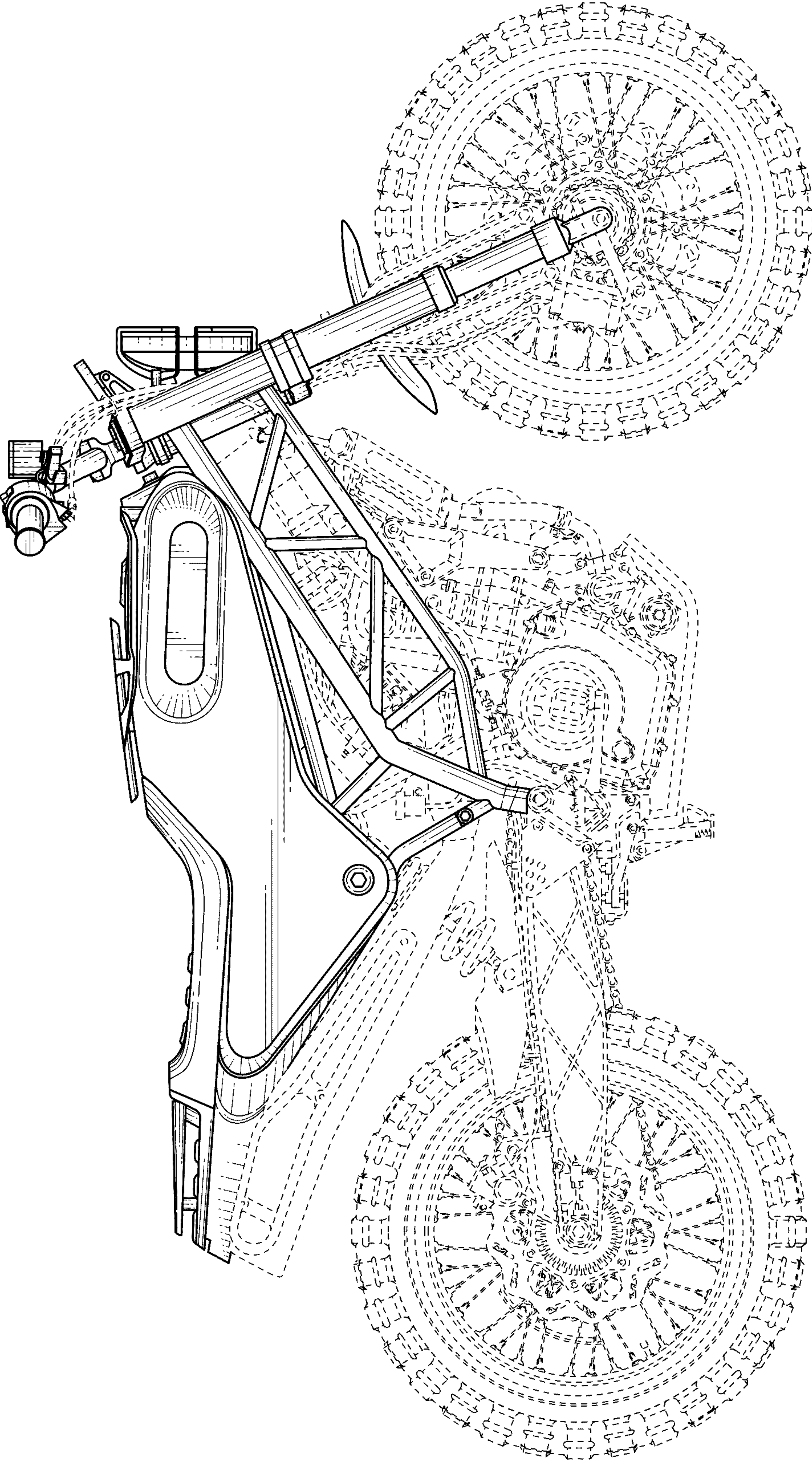


FIG. 4

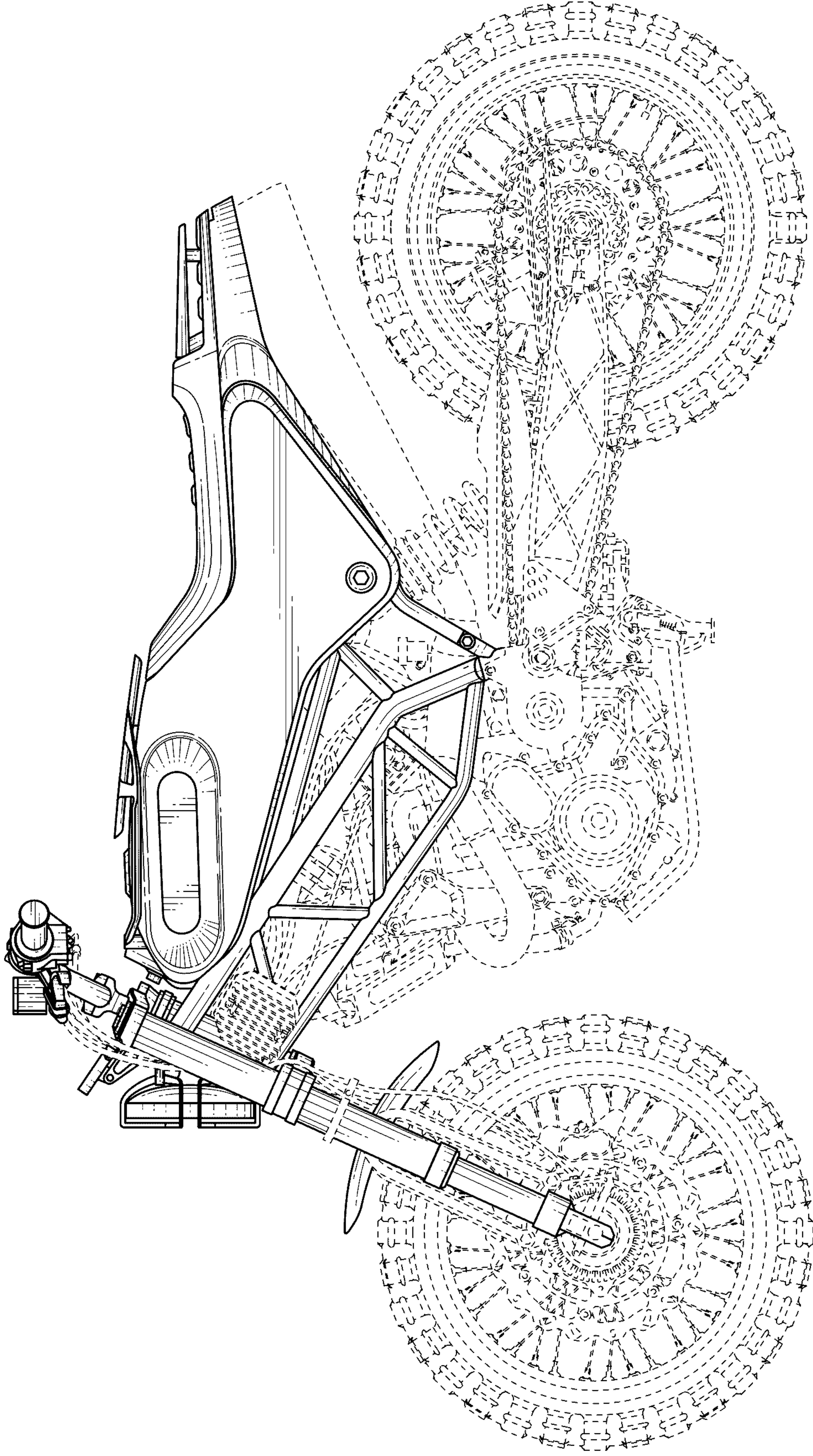


FIG. 5

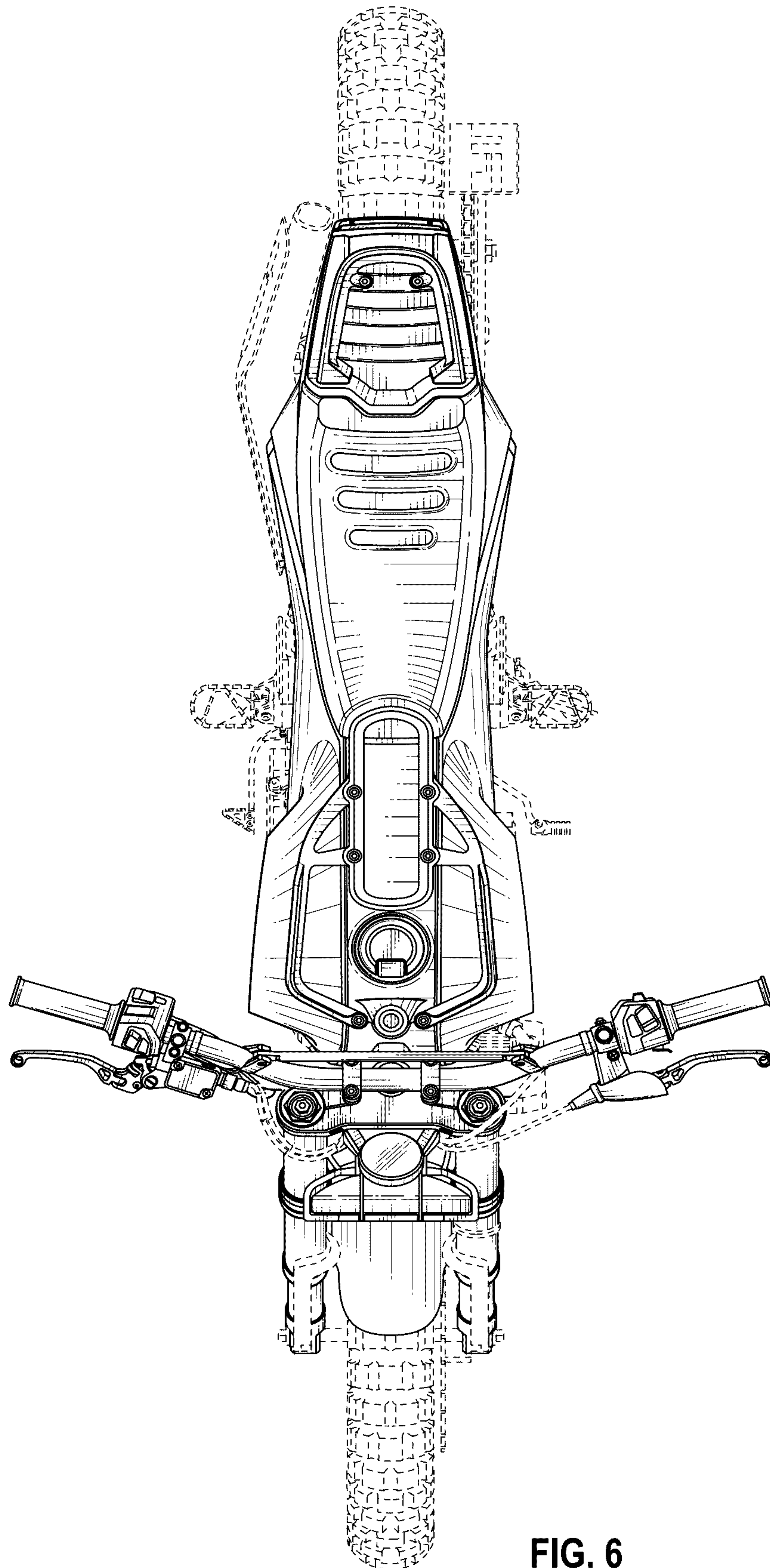


FIG. 6

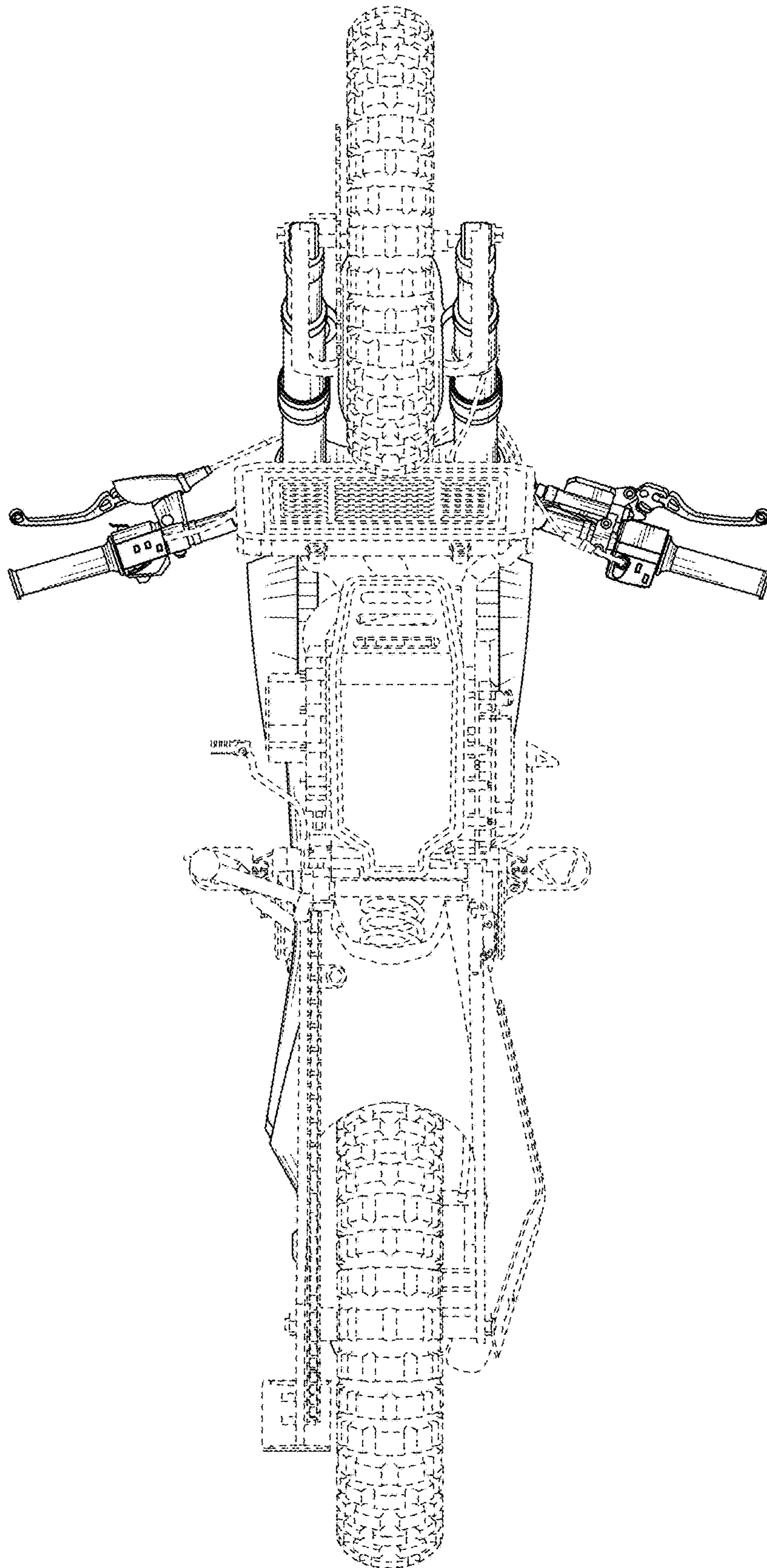


FIG. 7

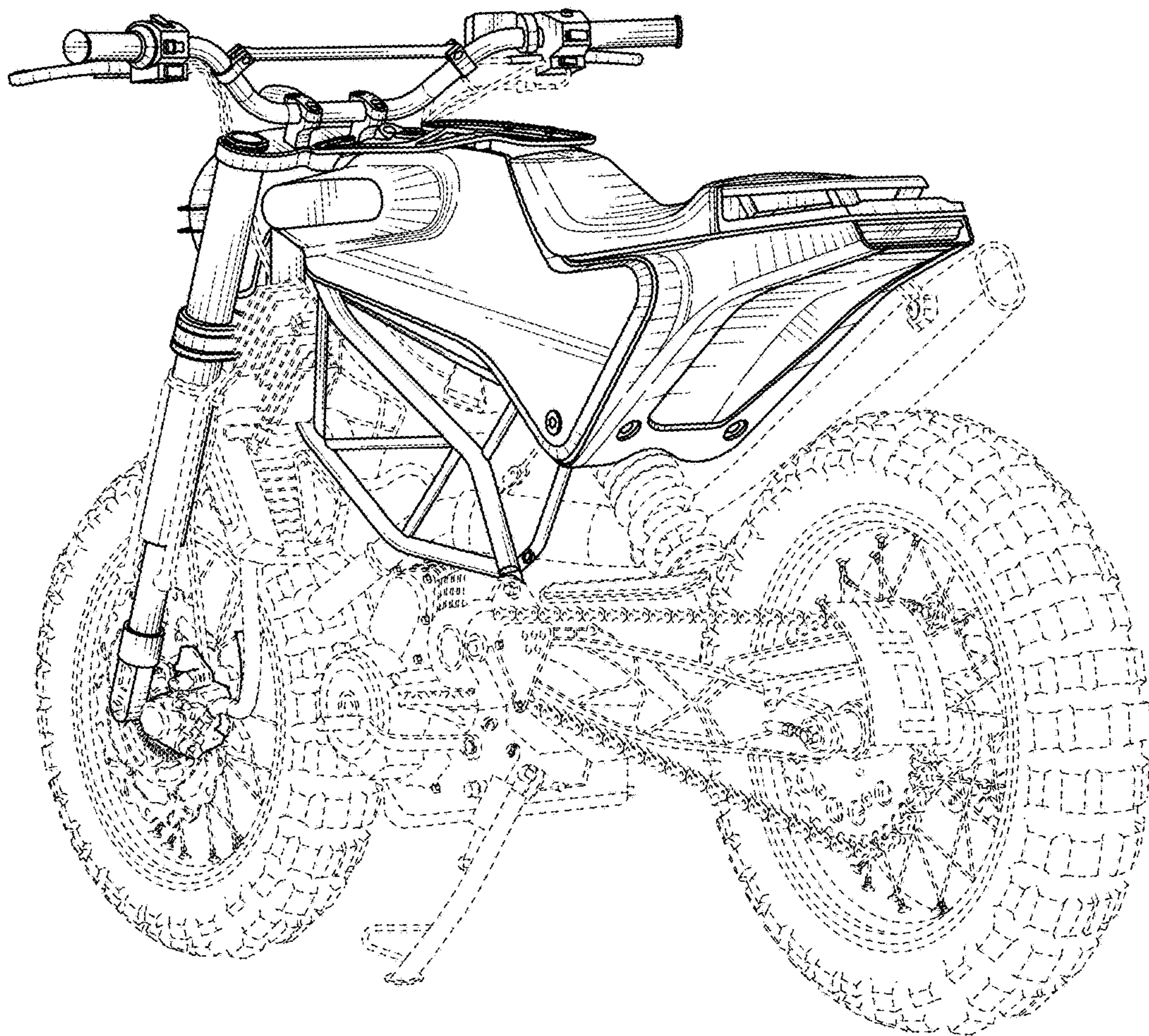


FIG. 8

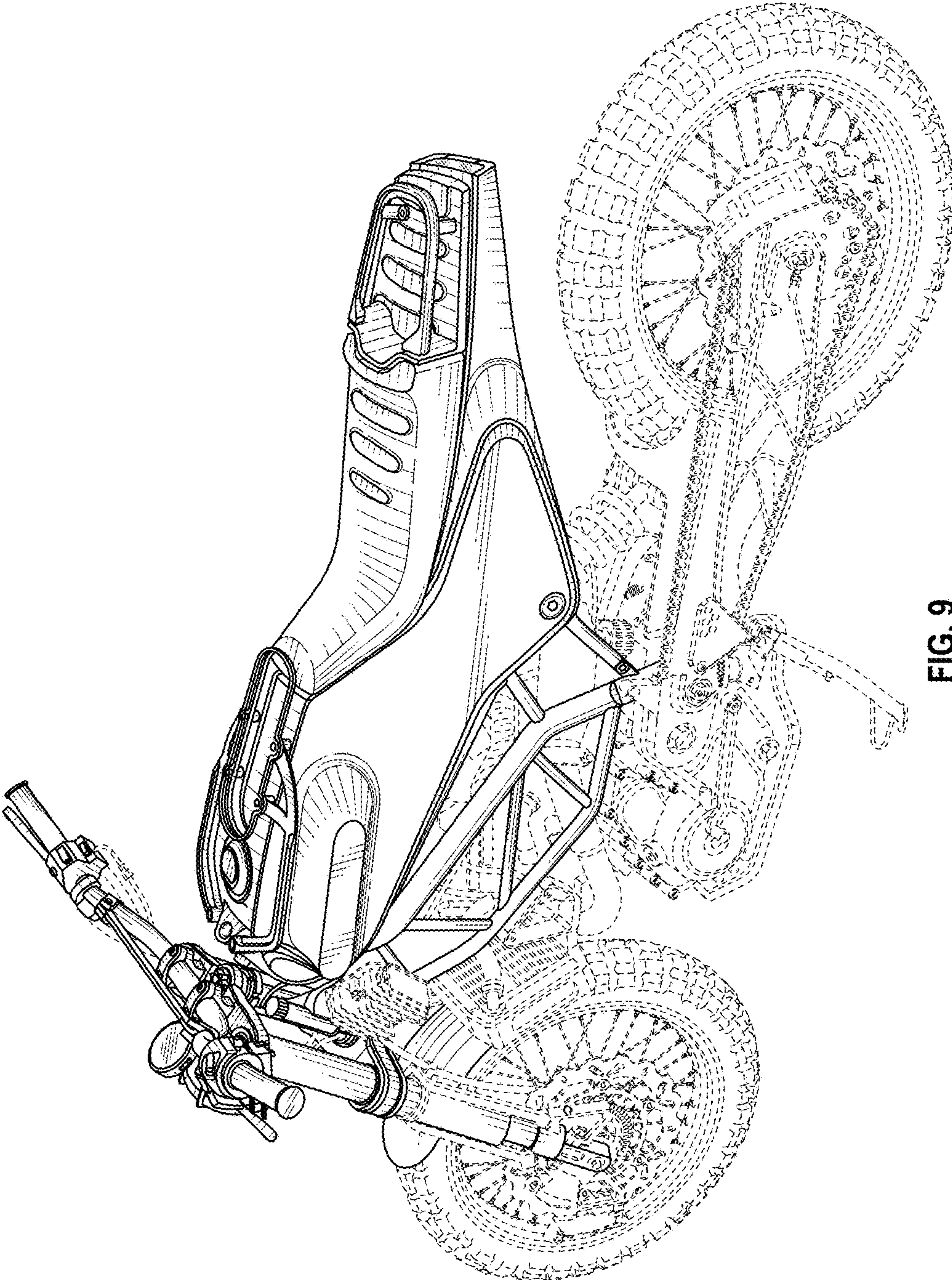


FIG. 9