



US00D776568S

(12) **United States Design Patent**  
**Taylor**

(10) **Patent No.:** **US D776,568 S**

(45) **Date of Patent:** **\*\* Jan. 17, 2017**

- (54) **BELT BUCKLE**
- (71) Applicant: **Slidebelts Inc.**, El Dorado Hills, CA (US)
- (72) Inventor: **Brigham Thomas Taylor**, El Dorado Hills, CA (US)
- (73) Assignee: **SLIDEBELTS INC.**, El Dorado Hills, CA (US)
- (\*\*) Term: **15 Years**
- (21) Appl. No.: **29/542,358**
- (22) Filed: **Oct. 13, 2015**
- (51) **LOC (10) Cl.** ..... **11-07**
- (52) **U.S. Cl.**  
USPC ..... **D11/216**
- (58) **Field of Classification Search**  
USPC ..... D11/1-2, 200-201, 206-210, 214-218;  
24/163 R, 169-171, 173, 177-179, 191,  
24/194-195, 197, 200, 614-616, 625,  
24/198, 578.11, 578.1, 163 K, 114, 307,  
24/316; 2/312, 311  
CPC ..... A41F 11/04; A41F 9/00  
See application file for complete search history.

- D453,125 S \* 1/2002 Citton ..... D11/216
- 8,689,364 B2 \* 4/2014 Rowland ..... A41F 9/025  
2/311
- D727,204 S \* 4/2015 Laatz ..... D11/216
- 9,149,090 B1 \* 10/2015 Taylor ..... A41F 9/02
- D743,841 S \* 11/2015 Laatz ..... D11/216
- D748,012 S \* 1/2016 Laatz ..... D11/216
- 9,351,526 B1 \* 5/2016 Taylor ..... A44B 11/12

\* cited by examiner

*Primary Examiner* — Ralf Seifert

(74) *Attorney, Agent, or Firm* — Knobbe, Martens, Olson & Bear, LLP

(57) **CLAIM**

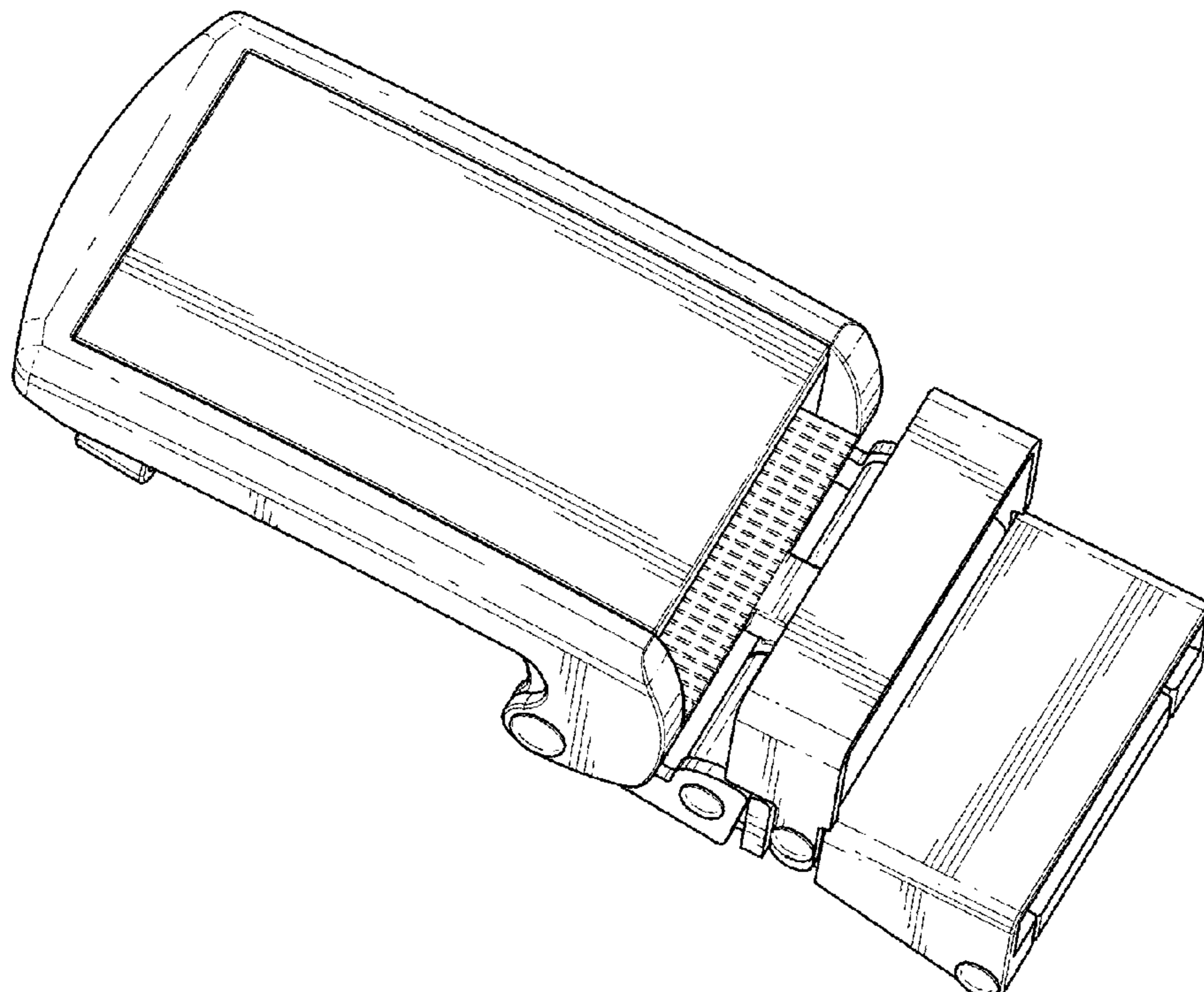
The ornamental design for a belt buckle, as shown and described.

**DESCRIPTION**

FIG. 1 is a top, rear, and side perspective view of an embodiment of a belt buckle;  
 FIG. 2 is a bottom, front, side perspective view thereof;  
 FIG. 3 is a top view thereof;  
 FIG. 4 is a bottom view thereof;  
 FIG. 5 is a first side view thereof;  
 FIG. 6 is a second side view thereof;  
 FIG. 7 is a front view thereof;  
 FIG. 8 is a rear view thereof; and,  
 FIG. 9 is a side view of thereof with the body of the belt buckle positioned in a second position.  
 Broken lines are used to illustrate features of the belt buckle that are disclaimed and form no part of the claimed design.

**1 Claim, 5 Drawing Sheets**

- (56) **References Cited**  
U.S. PATENT DOCUMENTS  
2,110,684 A \* 3/1938 Schuhmann ..... A44B 11/25  
24/313  
D167,823 S \* 9/1952 Bliss ..... D11/200



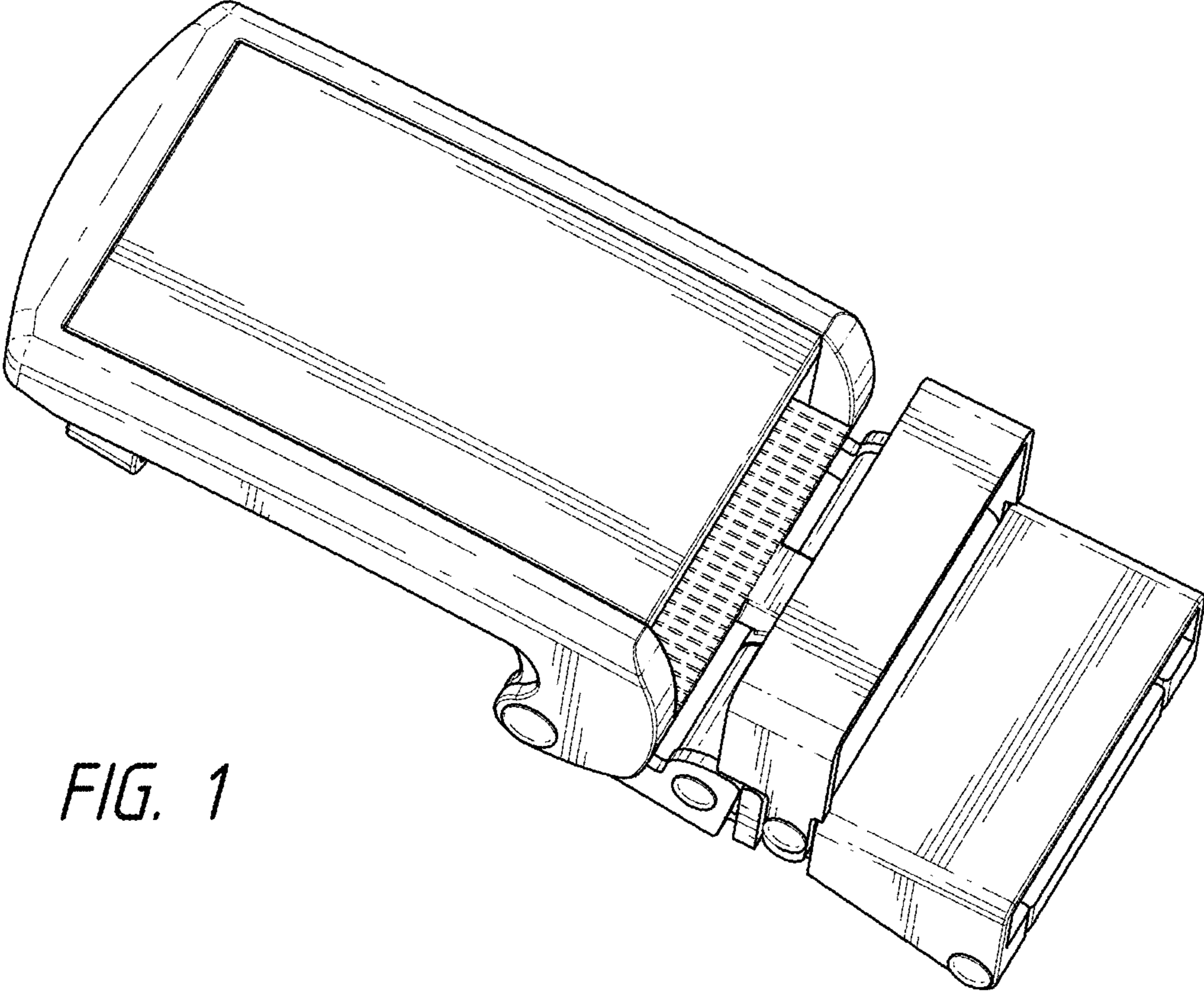


FIG. 1

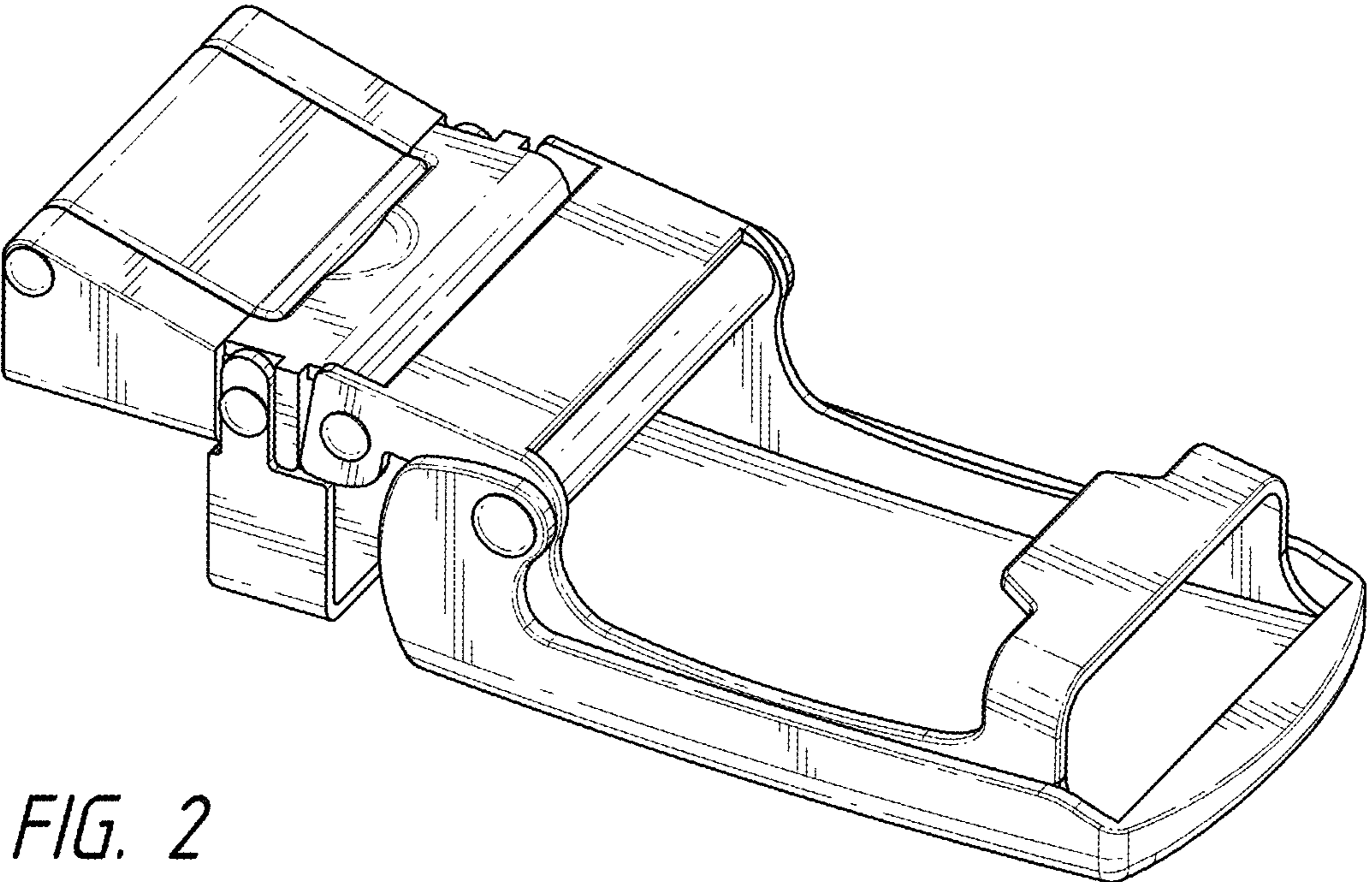


FIG. 2

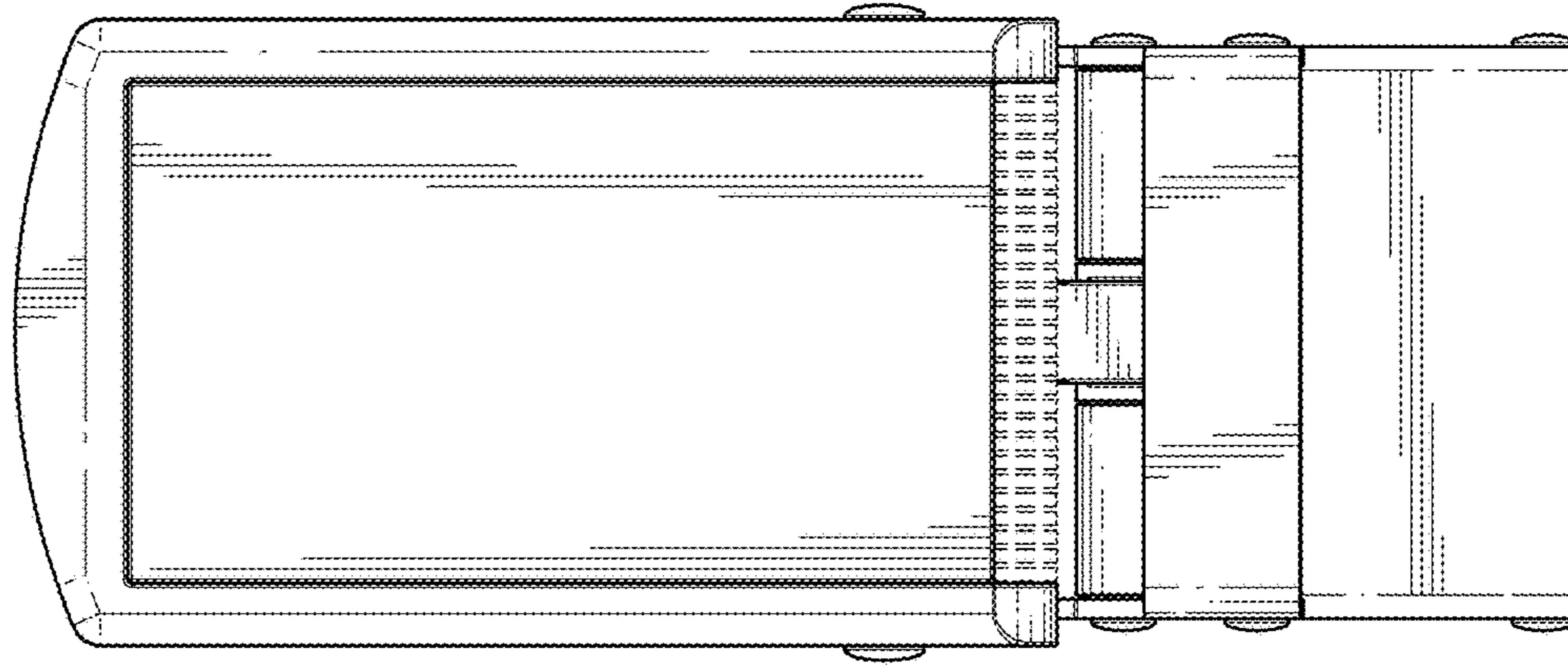


FIG. 3

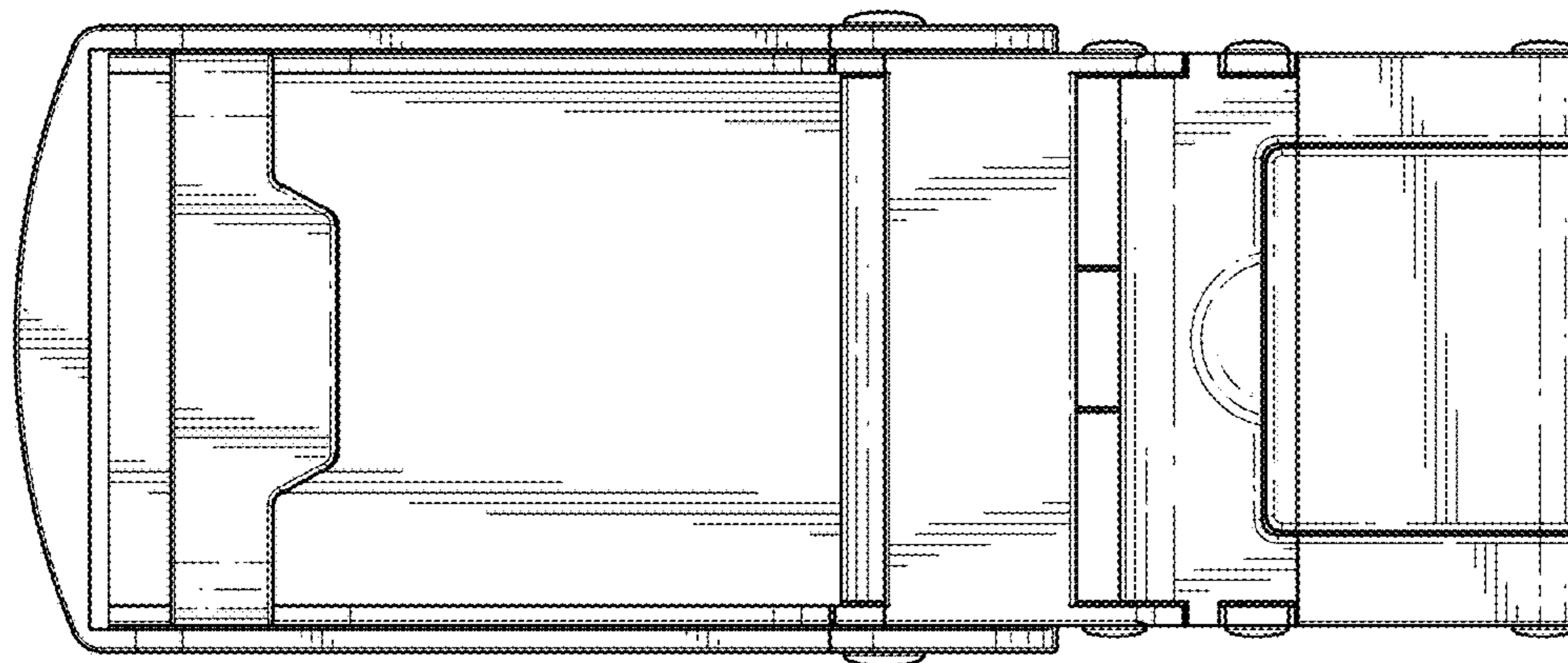


FIG. 4

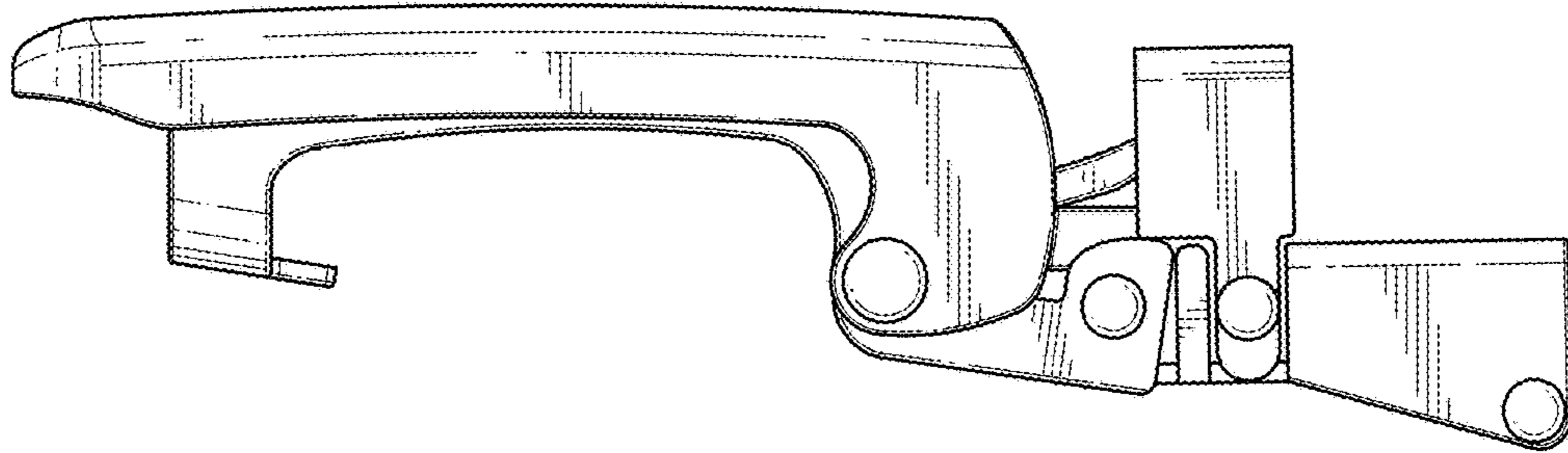


FIG. 5

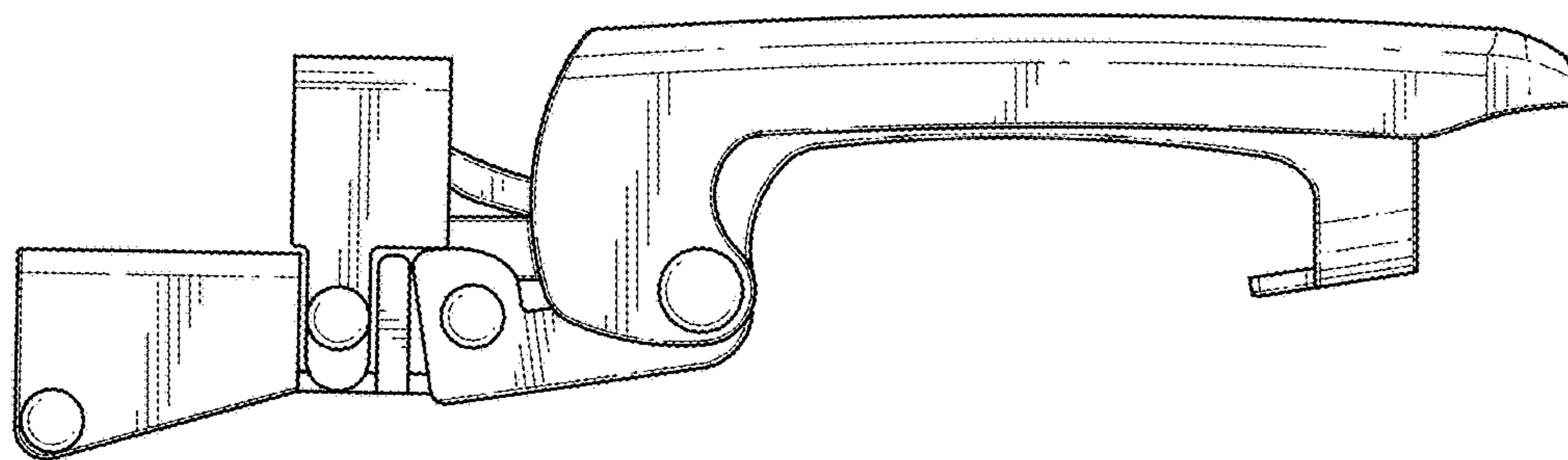
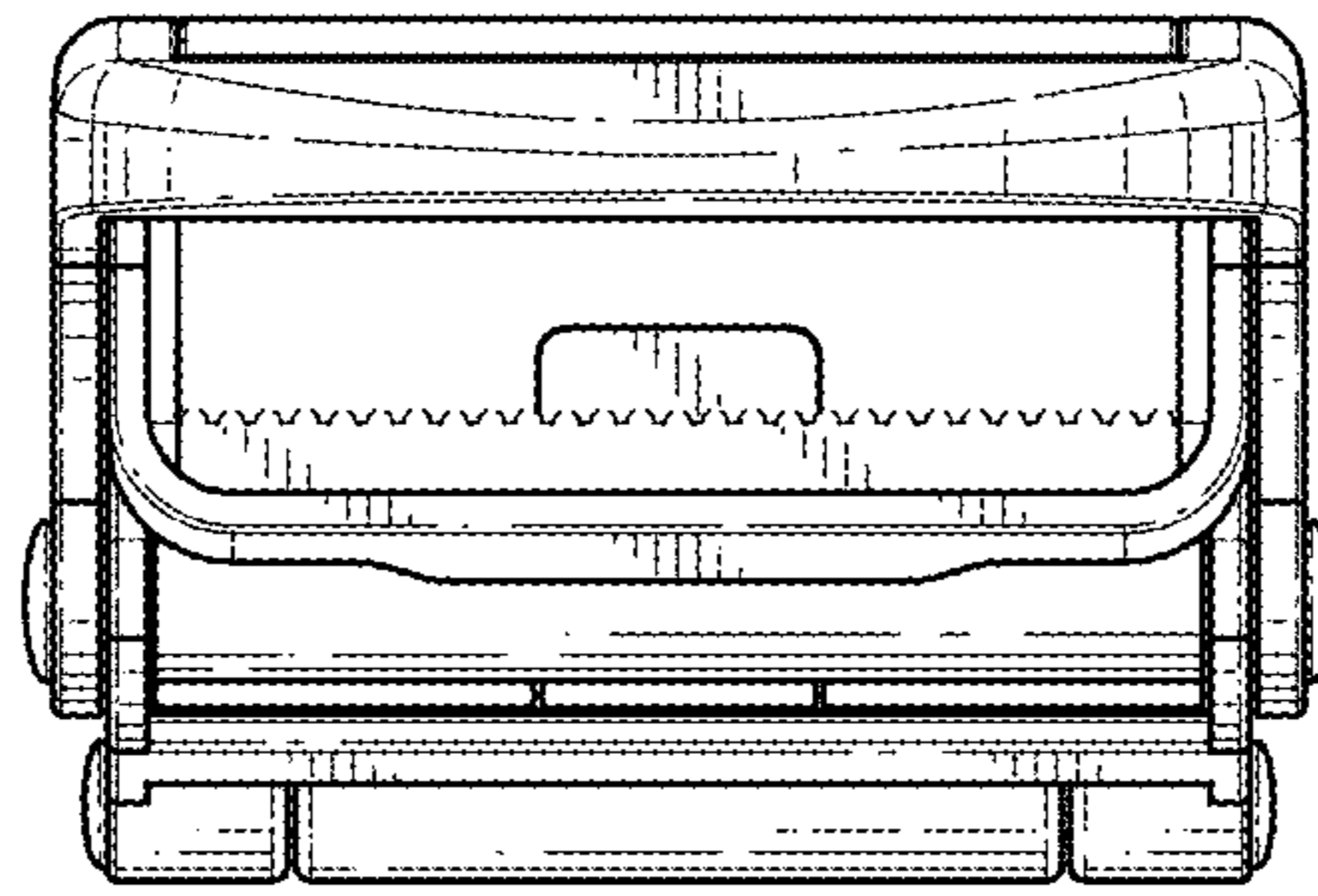
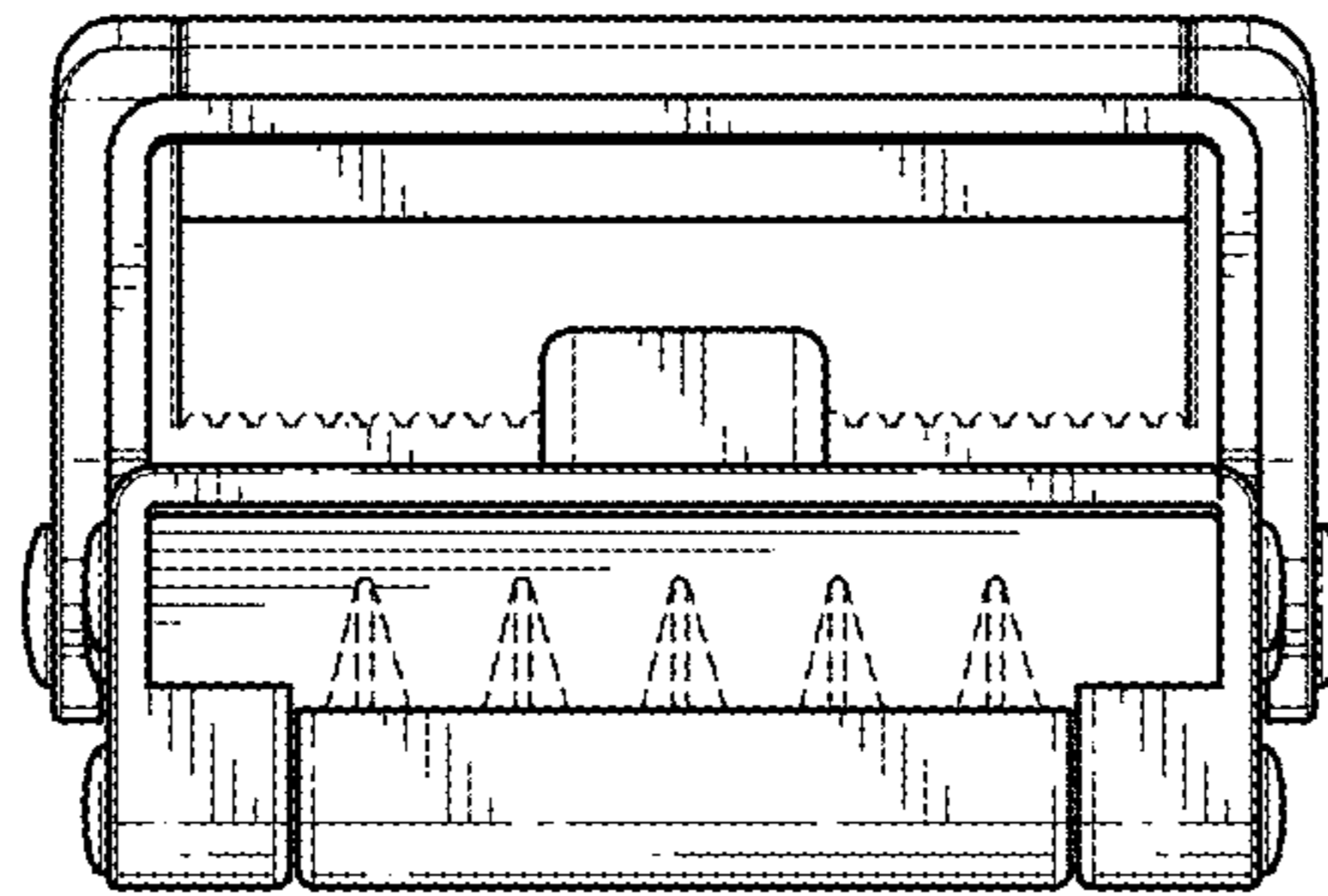


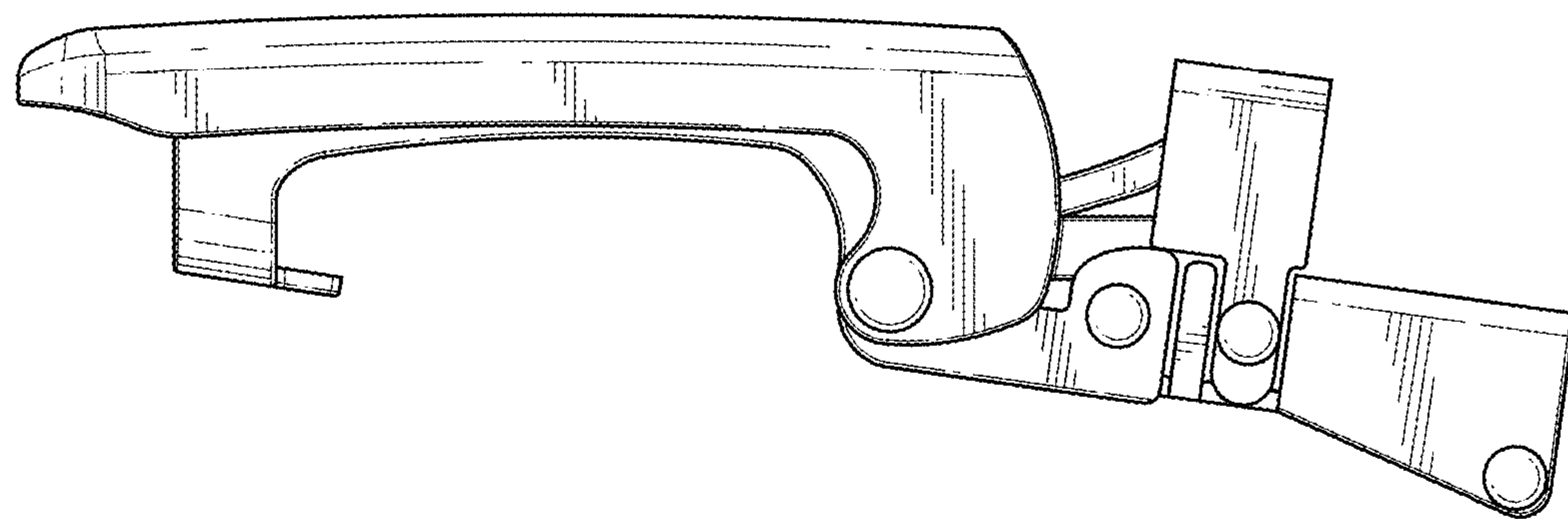
FIG. 6



*FIG. 7*



*FIG. 8*



*FIG. 9*