



US00D776565S

(12) **United States Design Patent**
Butler et al.

(10) **Patent No.:** **US D776,565 S**

(45) **Date of Patent:** **** Jan. 17, 2017**

- (54) **HYDROPONIC FLOOD TABLE**
- (71) Applicants: **Gregory Scott Butler**, Lapeer, MI (US); **William Martin Willemsen**, Waterford, MI (US)
- (72) Inventors: **Gregory Scott Butler**, Lapeer, MI (US); **William Martin Willemsen**, Waterford, MI (US)
- (73) Assignee: **GrowTech, LLC**, Lapeer, MI (US)
- (**) Term: **14 Years**
- (21) Appl. No.: **29/518,126**
- (22) Filed: **Feb. 20, 2015**
- (51) **LOC (10) Cl.** **11-02**
- (52) **U.S. Cl.**
USPC **D11/155**
- (58) **Field of Classification Search**
USPC . D6/403-405, 556-558, 683; D11/143-156, D11/164; D7/587; D9/432
CPC A01G 9/02; A01G 9/021; A01G 9/022; A01G 9/023; A01G 9/024; A01G 9/028; A01G 9/04; A01G 9/042; A01G 9/10; A01G 9/12
See application file for complete search history.

- 4,029,023 A * 6/1977 Rosewicz B65D 19/004 104/135
- 4,926,586 A * 5/1990 Nagamatsu E04D 11/002 47/65.9
- 5,036,976 A * 8/1991 Sechler B65D 19/004 108/53.1
- 5,040,328 A * 8/1991 Coon A01G 1/042 206/500
- 5,467,555 A * 11/1995 Ripley, Sr. E01C 13/083 220/7
- 5,581,936 A * 12/1996 Belgiorno A01G 9/10 47/18
- 5,615,608 A * 4/1997 Shaw B65D 19/0018 108/55.3
- D384,908 S * 10/1997 Tuttle D11/143
- D388,362 S * 12/1997 Tuttle D11/155
- D750,996 S * 3/2016 Butler D11/155
- 9,440,782 B2 * 9/2016 Schall B65D 85/52

* cited by examiner

Primary Examiner — Elizabeth Albert
(74) *Attorney, Agent, or Firm* — Warn Partners, P.C.

(57) **CLAIM**

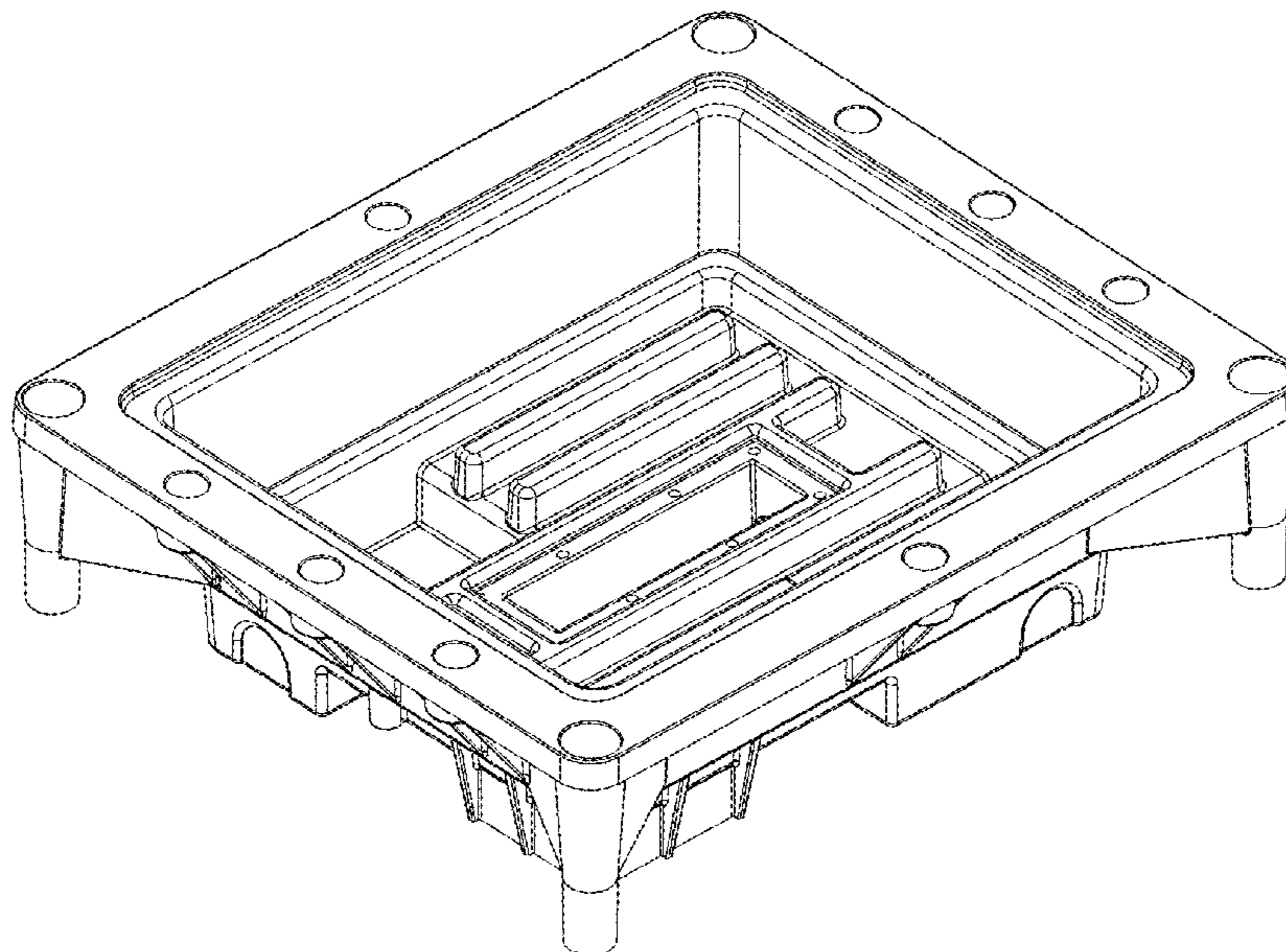
The ornamental design for a hydroponic flood table, as shown and described.

DESCRIPTION

FIG. 1 is a top perspective view of a hydroponic flood table showing our new design; FIG. 2 is a top plan view thereof; FIG. 3 is a front or back elevation view thereof; and, FIG. 4 is a left side elevation view thereof. The broken lines in the drawings of FIGS. 2, 3 and 4 are included to show portions of the hydroponic flood table that form no part of the claimed design.

1 Claim, 3 Drawing Sheets

- (56) **References Cited**
U.S. PATENT DOCUMENTS
D218,629 S * 9/1970 Hasselbach D11/156
3,762,342 A * 10/1973 Lawlor B65D 19/0018 108/53.3
3,944,070 A * 3/1976 Cardwell B65D 19/004 108/53.1
D242,266 S * 11/1976 Beh D11/156



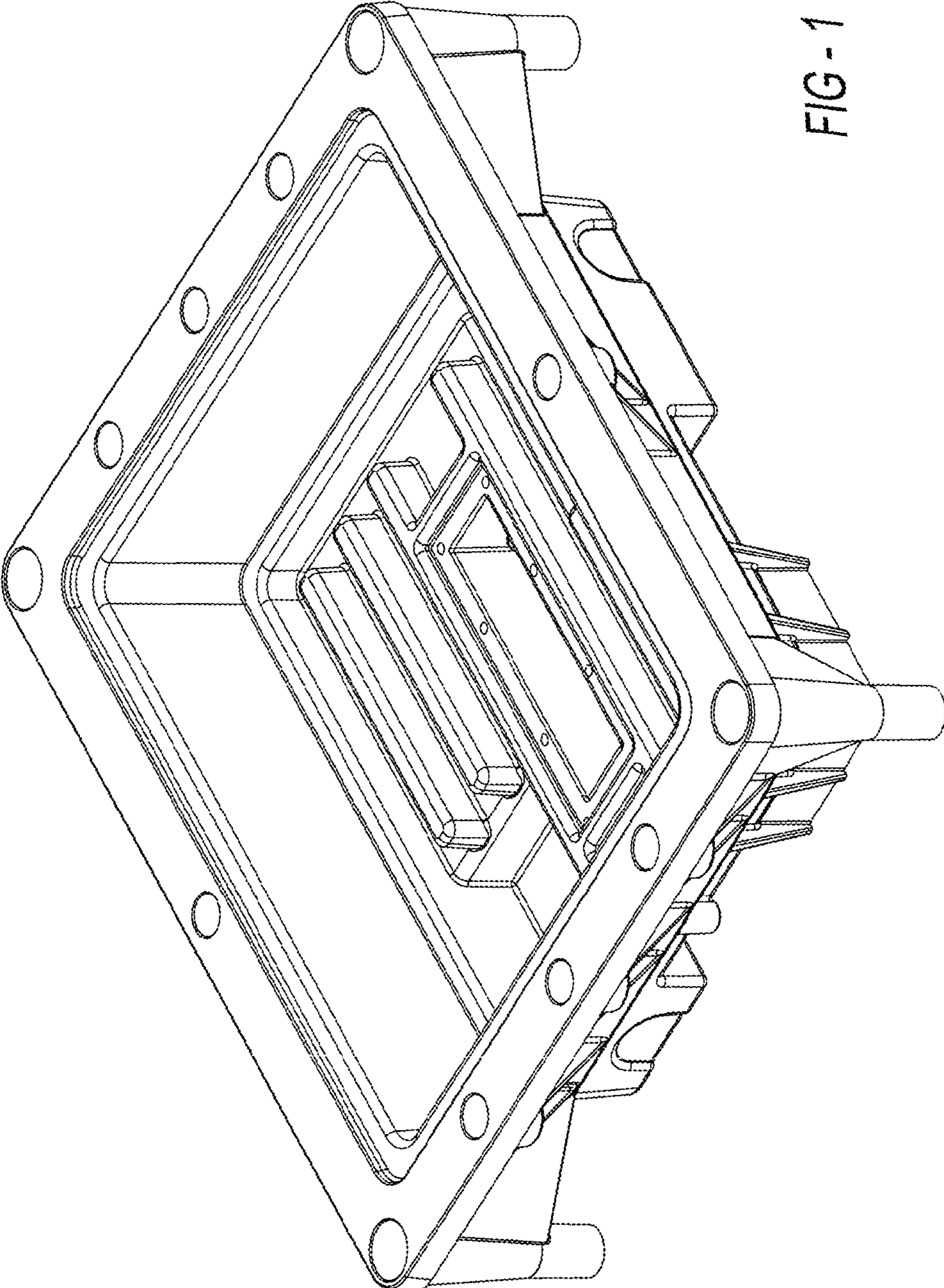


FIG - 1

FIG - 2

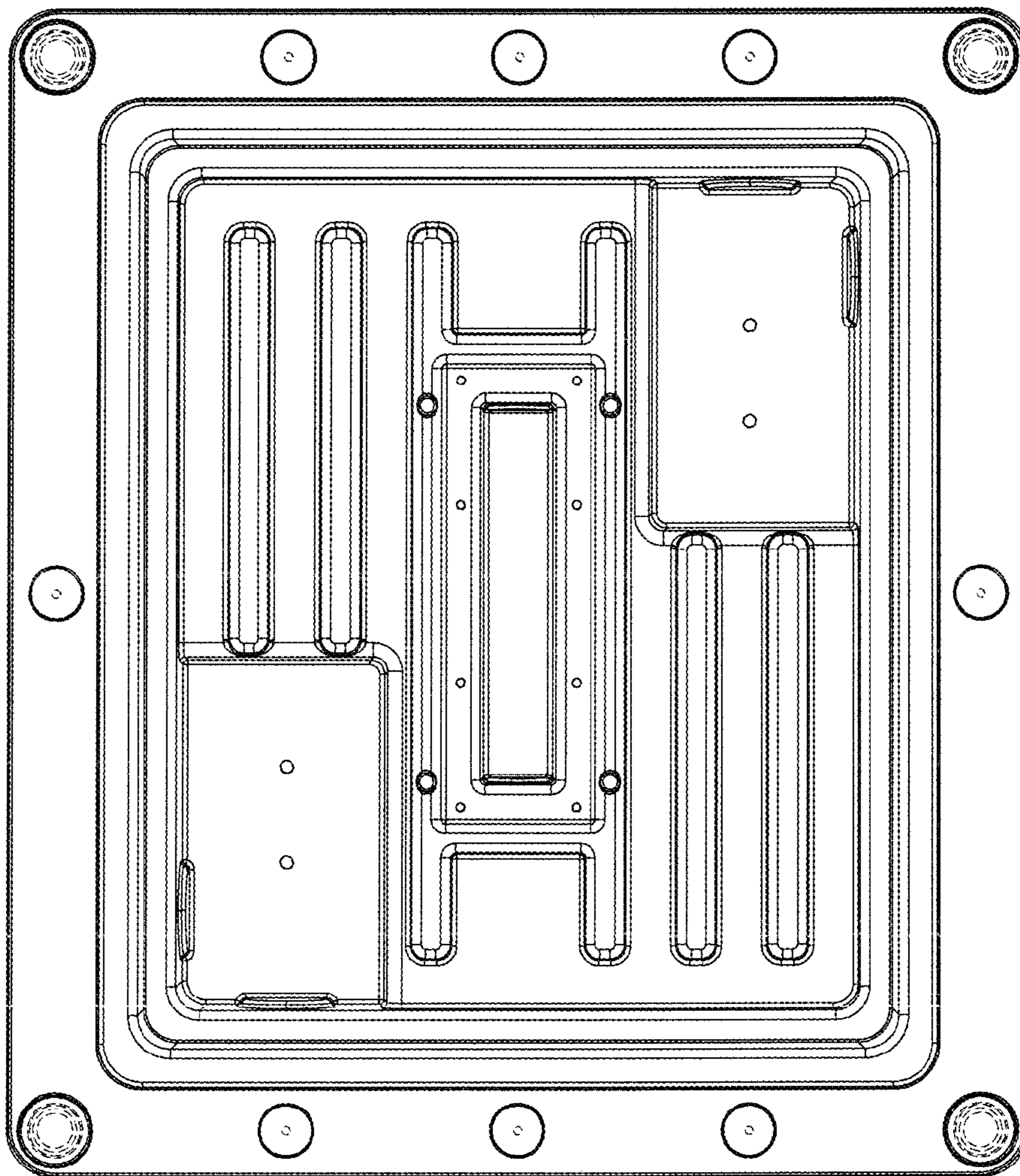


FIG - 3

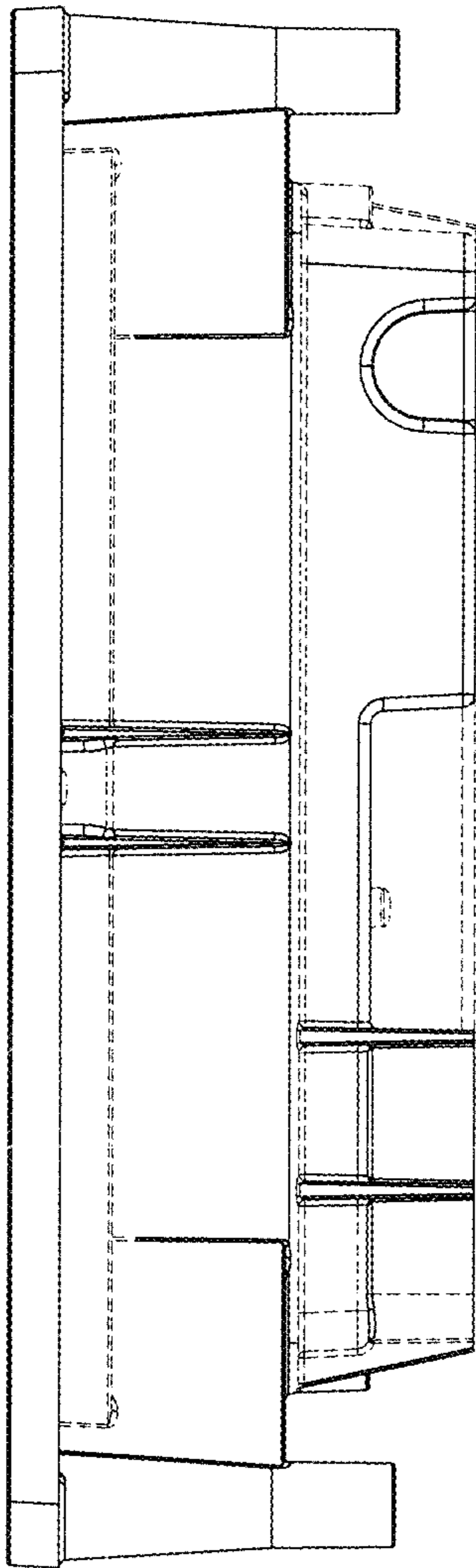


FIG - 4

