



US00D776564S

(12) **United States Design Patent**
Seth-Andersson

(10) **Patent No.:** **US D776,564 S**
(45) **Date of Patent:** **** Jan. 17, 2017**

- (54) **VASE**
- (71) Applicant: **Marimekko Oyj**, Helsinki (FI)
- (72) Inventor: **Carina Seth-Andersson**, Gustavsberg (SE)
- (73) Assignee: **Marimekko Oyj**, Helsinki (FI)
- (**) Term: **15 Years**
- (21) Appl. No.: **29/544,364**
- (22) Filed: **Nov. 3, 2015**
- (51) **LOC (10) Cl.** **11-02**
- (52) **U.S. Cl.**
USPC **D11/153; D9/500**
- (58) **Field of Classification Search**
USPC D11/143, 146, 152, 154, 156; D6/528;
D7/527, 509; D9/425, 428, 549, 558, 763,
D9/772, 776, 777-779, 500, 503, 505,
D9/545
CPC A47G 7/00; A47G 7/06; A47G 7/08;
B65D 33/00; B65D 33/02; B65D
3/00; B65D 3/02; B65D 3/04
See application file for complete search history.

(56) **References Cited**

U.S. PATENT DOCUMENTS

- 2,814,911 A * 12/1957 Shep A01G 27/00
47/80
- D200,023 S * 1/1965 Porter et al. D9/449
- D302,403 S * 7/1989 Heras D11/143
- D390,462 S * 2/1998 Mao D9/435
- D468,064 S * 12/2002 Pardo D30/130
- D533,459 S * 12/2006 Wagner D9/535
- D590,047 S * 4/2009 Lawyer D23/214

- D592,017 S * 5/2009 Bizzell D7/629
- D601,310 S * 9/2009 Greenan D30/129
- D662,441 S * 6/2012 Harshman D11/146
- D675,926 S * 2/2013 Tovar D9/537
- D682,621 S * 5/2013 Penttinen D7/524
- 8,499,490 B2* 8/2013 Whitten B01D 46/0023
210/510.1
- D691,420 S * 10/2013 McIntire D7/510
- D704,512 S * 5/2014 Kellow, Jr. D7/553.8
- D710,052 S * 7/2014 Lanča D27/162
- D717,589 S * 11/2014 Harshman D7/392.1
- D719,827 S * 12/2014 Duran D9/447
- D723,917 S * 3/2015 Koffel D9/447
- D739,615 S * 9/2015 Robertson D30/129
- D749,416 S * 2/2016 Herbst D9/447
- D752,435 S * 3/2016 Willows D9/447
- D752,976 S * 4/2016 Koffel D9/447
- D753,489 S * 4/2016 Shaw D9/454
- D765,516 S * 9/2016 Rasgon D9/519

* cited by examiner

Primary Examiner — Rosemary K Tarcza
Assistant Examiner — Alison Ofstun
(74) *Attorney, Agent, or Firm* — Myers Wolin, LLC

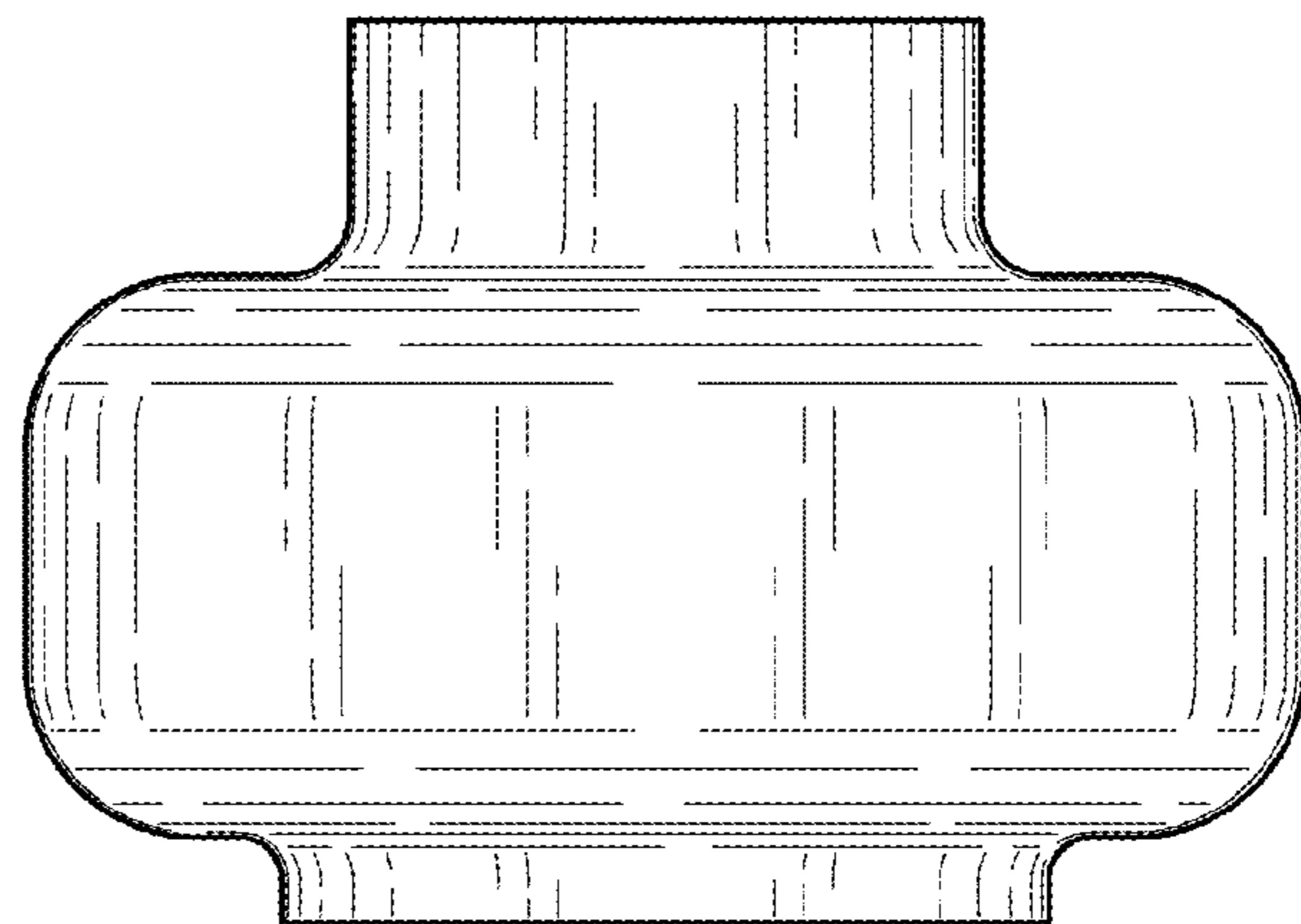
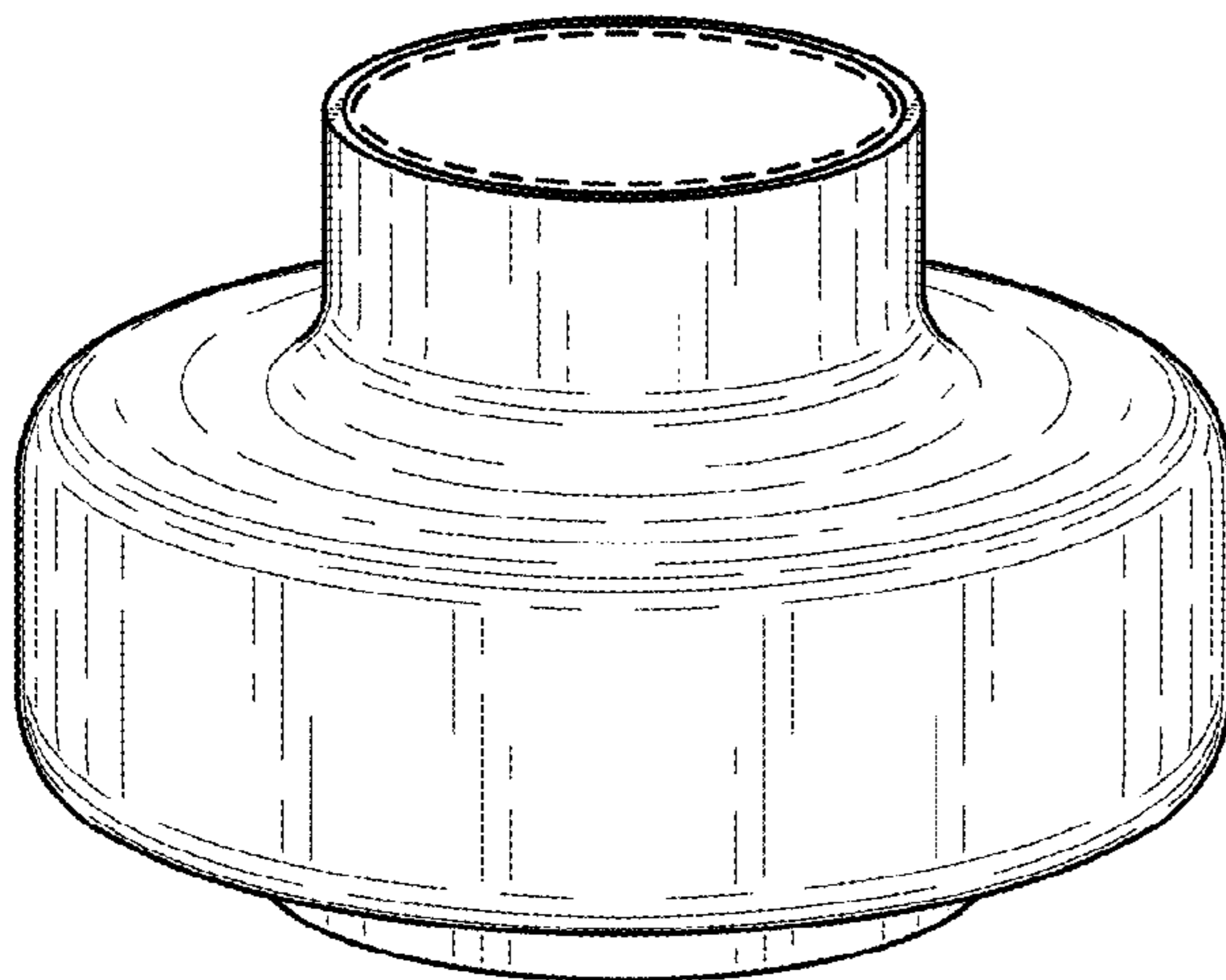
(57) **CLAIM**

The ornamental design for a vase, as shown and described.

DESCRIPTION

FIG. 1 is a perspective view of a vase showing my new design;
FIG. 2 is a top view thereof;
FIG. 3 is a bottom view thereof; and,
FIG. 4 is a side elevation view thereof.
The broken lines in the drawings depict a boundary of the claimed design and form no part of the claimed design.

1 Claim, 1 Drawing Sheet



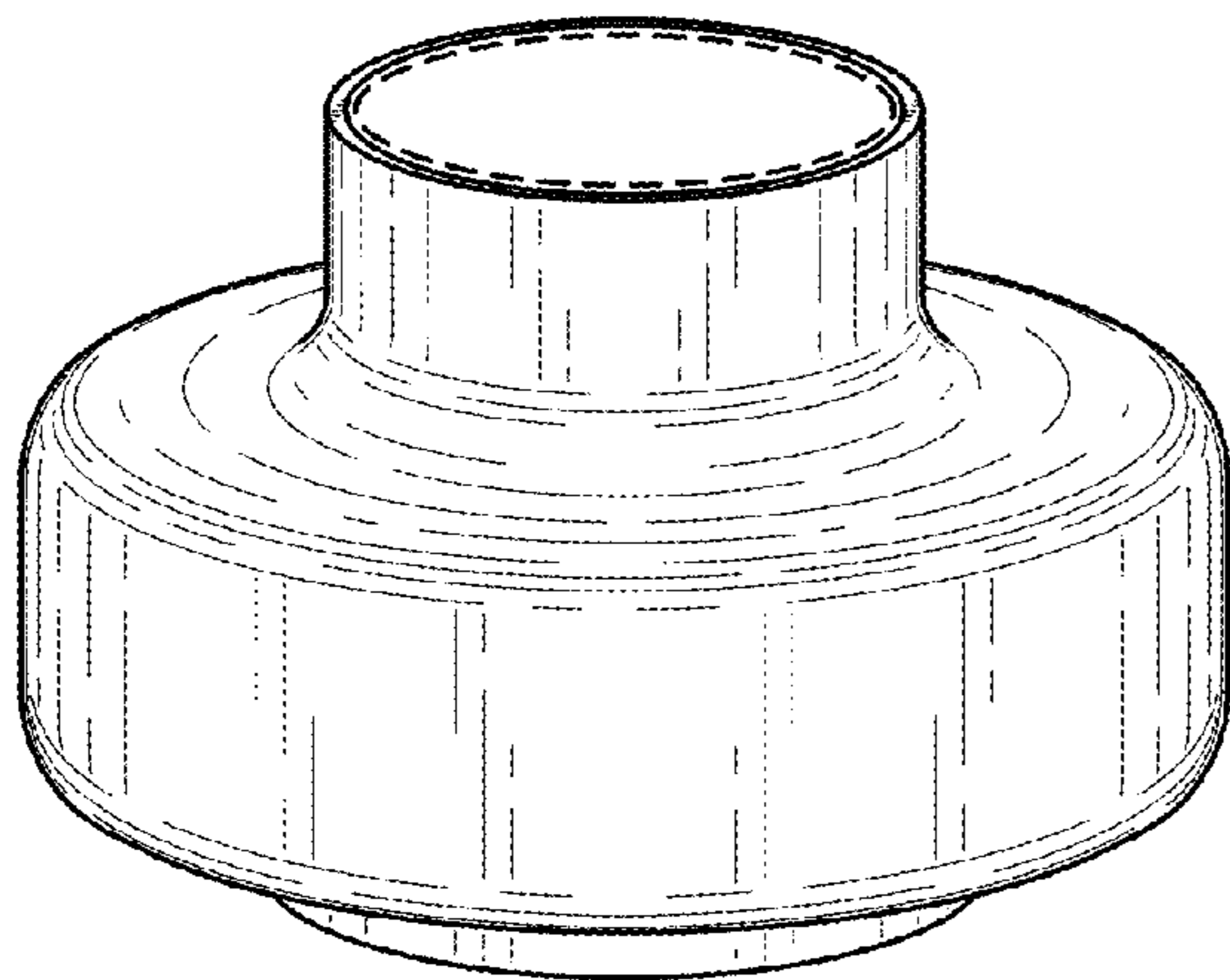


FIG. 1

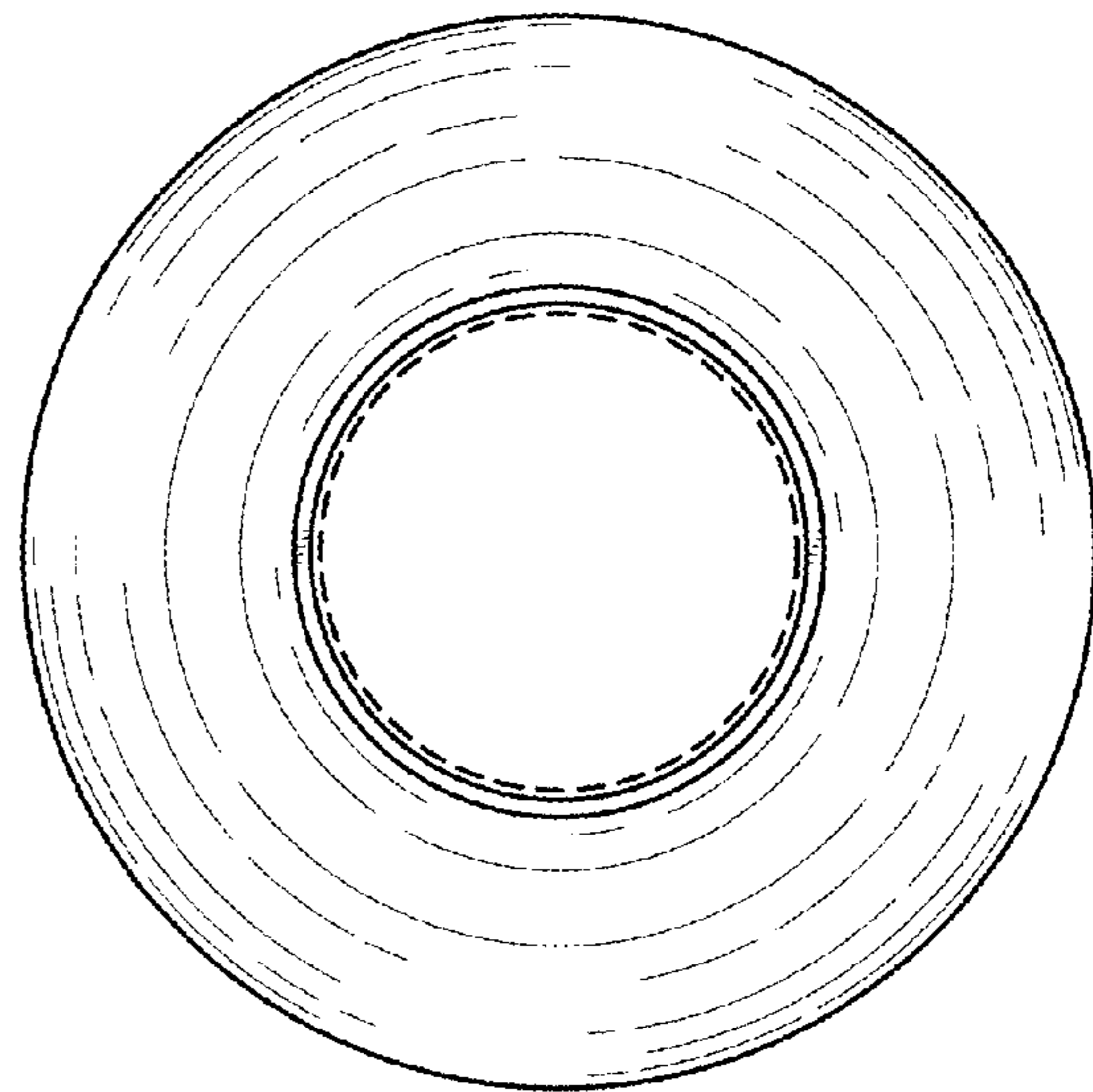


FIG. 2

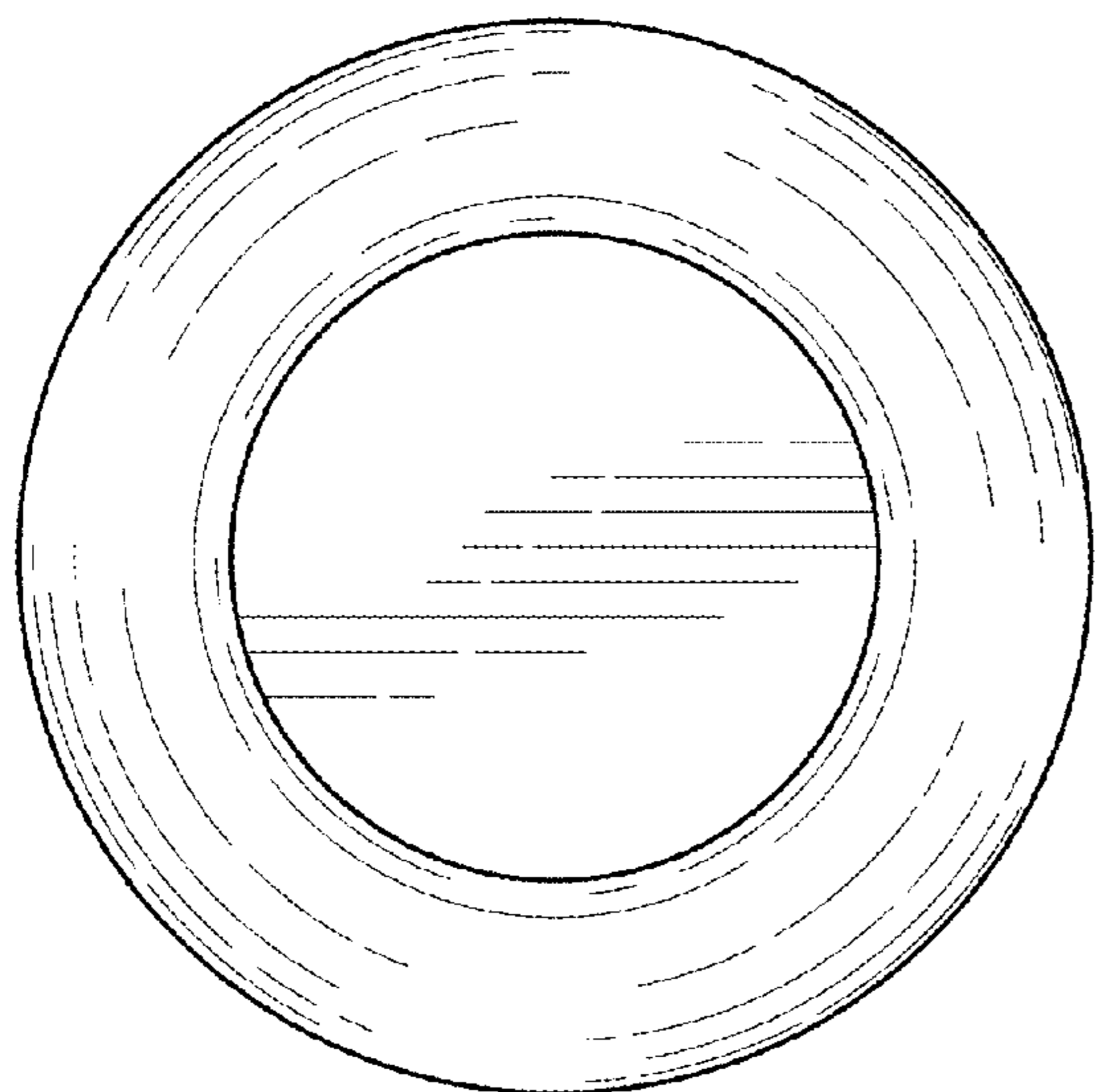


FIG. 3

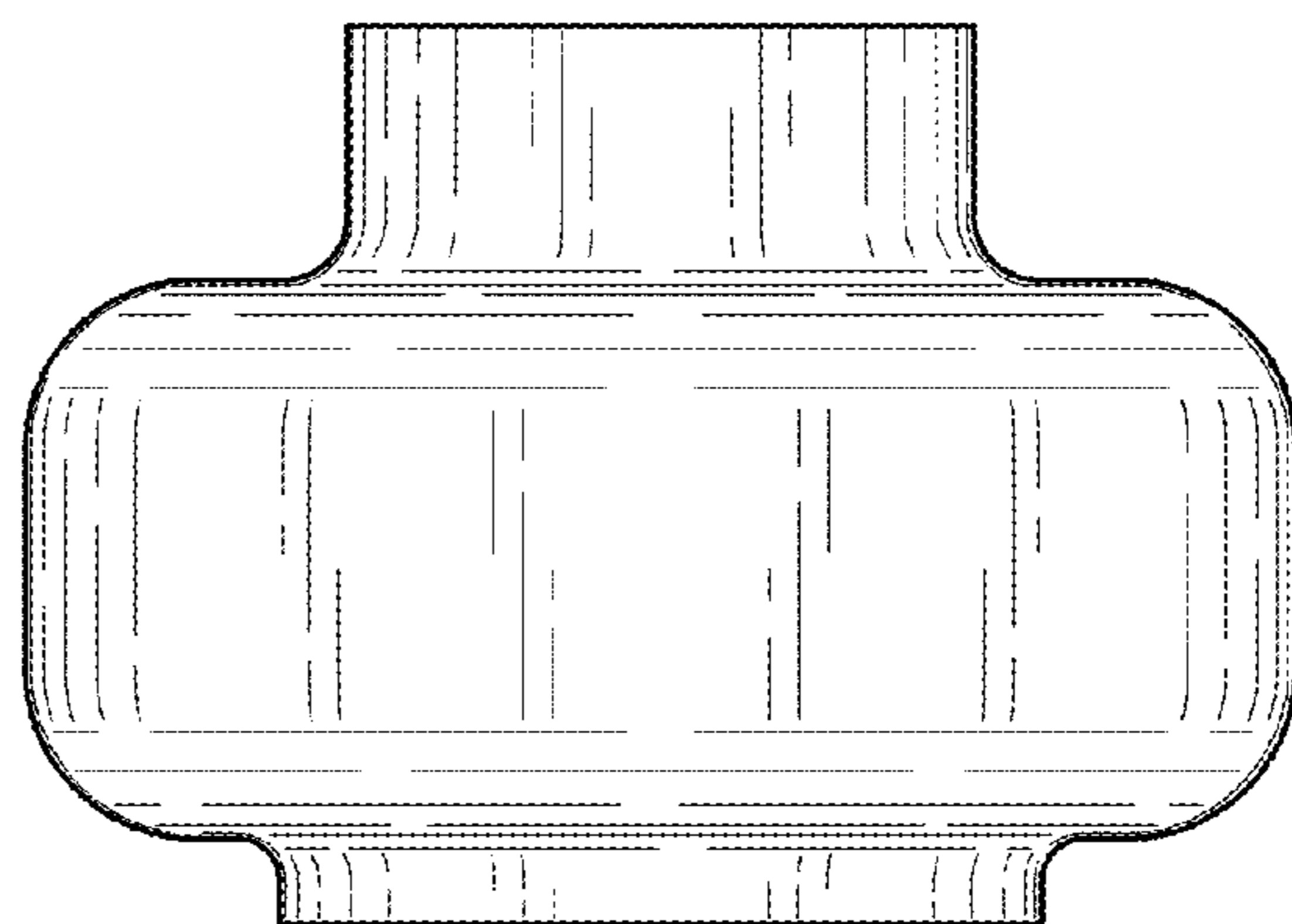


FIG. 4