



US00D776563S

(12) **United States Design Patent** (10) **Patent No.:** **US D776,563 S**  
**Suphachadiwong** (45) **Date of Patent:** **\*\* Jan. 17, 2017**

- (54) **PLANT HOLDER**
- (71) Applicant: **Suphachatwong Innovation Co, Ltd.**,  
Bangphra, Chonburi (TH)
- (72) Inventor: **Thumrong Suphachadiwong**,  
Bangphra (TH)
- (\*\*) Term: **14 Years**
- (21) Appl. No.: **29/520,592**
- (22) Filed: **Mar. 16, 2015**
- (51) **LOC (10) Cl.** ..... **11-02**
- (52) **U.S. Cl.**  
USPC ..... **D11/152**
- (58) **Field of Classification Search**  
USPC ..... D6/403-405, 556-558; D11/143-156,  
D11/164; D7/545, 584, 587; 47/67;  
D9/428, D9/778, 779, 780  
CPC ..... A01G 9/02; A01G 9/021; A01G 9/023;  
A01G 9/024; A01G 9/028; A01G 9/04;  
A01G 9/042; A01G 9/14; B65D 85/505  
See application file for complete search history.

D289,143 S *	4/1987	Guillaume	.....	D9/445
D385,793 S *	11/1997	Marsal	.....	D24/224
D387,661 S *	12/1997	Adams	.....	D1/102
D396,631 S *	8/1998	DuGrenier	.....	D9/436
D449,982 S *	11/2001	Ferris	.....	D9/503
D466,809 S *	12/2002	Sagel	.....	D9/428
D483,030 S *	12/2003	Melton	.....	D14/230
D494,856 S *	8/2004	Hillard	.....	D9/430
6,971,513 B2 *	12/2005	Weinstein	.....	B65D 11/02 206/321
D517,411 S *	3/2006	Okimoto	.....	D11/152
D543,411 S *	5/2007	Rittberg	.....	D7/354
D611,823 S *	3/2010	Sindler	.....	D9/520
D641,654 S *	7/2011	Hawkinson	.....	D11/144
D641,655 S *	7/2011	Hawkinson	.....	D11/144
D654,374 S *	2/2012	Lauder	.....	D9/715
D663,217 S *	7/2012	Bodkin	.....	D9/428
D722,113 S *	2/2015	Knight	.....	D20/8
2002/0074256 A1 *	6/2002	Koeman	.....	B65D 85/505 206/423

\* cited by examiner

*Primary Examiner* — Elizabeth Albert  
(74) *Attorney, Agent, or Firm* — QuickPatents; Kevin Prince

(57) **CLAIM**

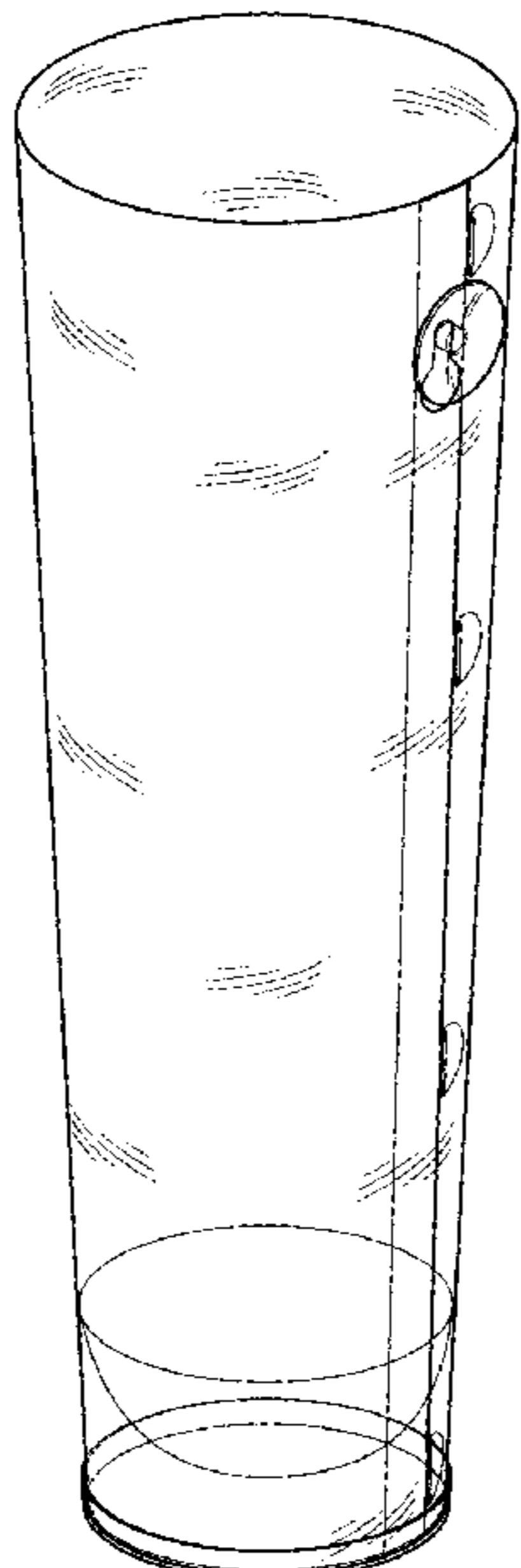
I claim the ornamental design for a plant holder, as shown and described.

**DESCRIPTION**

FIG. 1 is a perspective view of a plant holder, showing my new design;  
FIG. 2 is a rear elevational view thereof;  
FIG. 3 is a front elevational view thereof;  
FIG. 4 is a left-side elevational view thereof;  
FIG. 5 is a right-side elevational view thereof;  
FIG. 6 is a top plan view thereof; and,  
FIG. 7 is a bottom plan view thereof.

**1 Claim, 3 Drawing Sheets**

- (56) **References Cited**  
U.S. PATENT DOCUMENTS
- 2,079,177 A \* 5/1937 Membrino ..... B65D 3/12  
220/662
- D157,560 S \* 3/1950 Berg ..... 428/13
- 2,904,205 A \* 9/1959 Callery ..... B65D 83/005  
206/216
- 2,974,825 A \* 3/1961 Ross ..... B65D 3/10  
220/789
- 3,747,830 A \* 7/1973 Goldman ..... B65D 3/10  
220/662
- D257,227 S \* 10/1980 Youngberg ..... D9/668
- D259,768 S \* 7/1981 Banasiak, Jr. .... D9/505
- D284,360 S \* 6/1986 Pollitz ..... D11/143



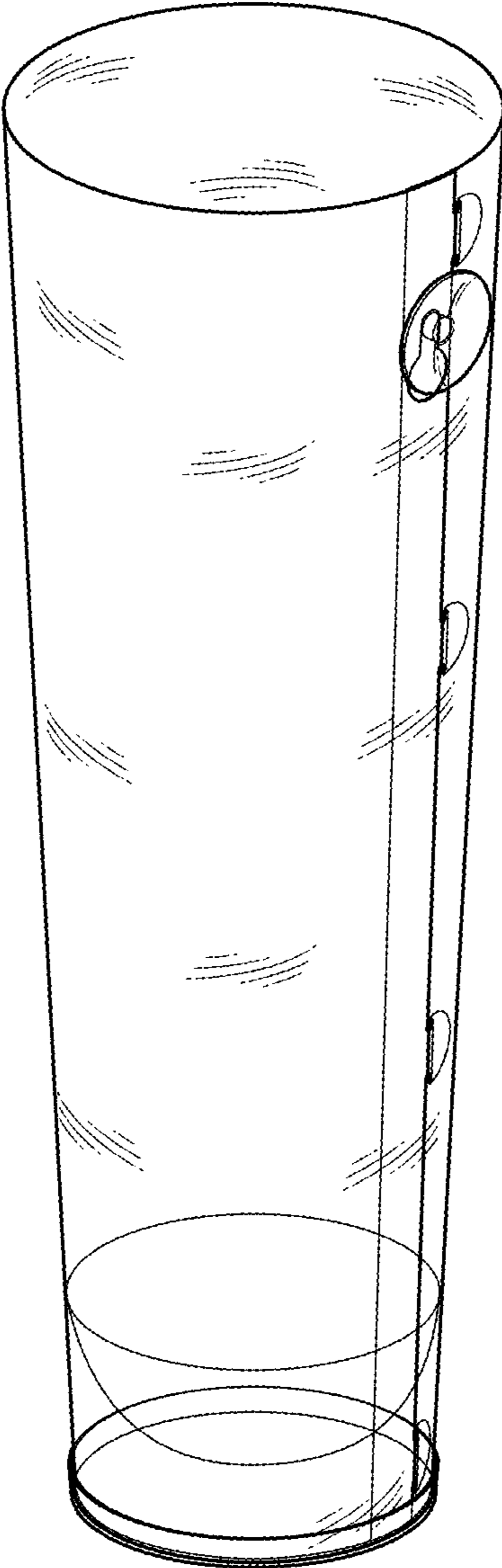


FIG. 1

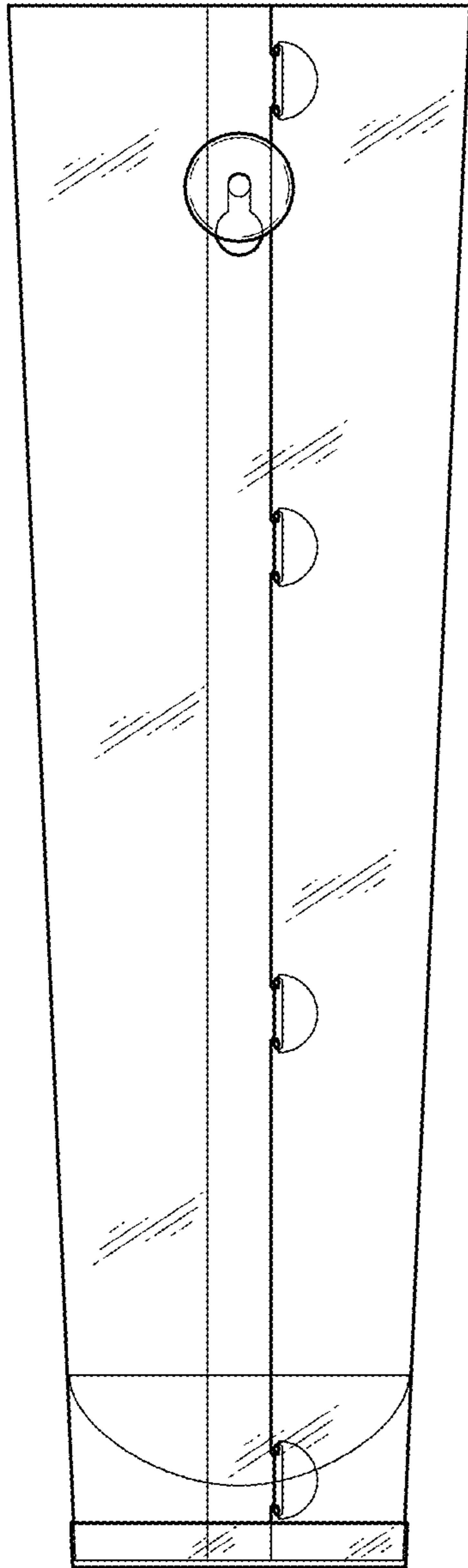


FIG. 2

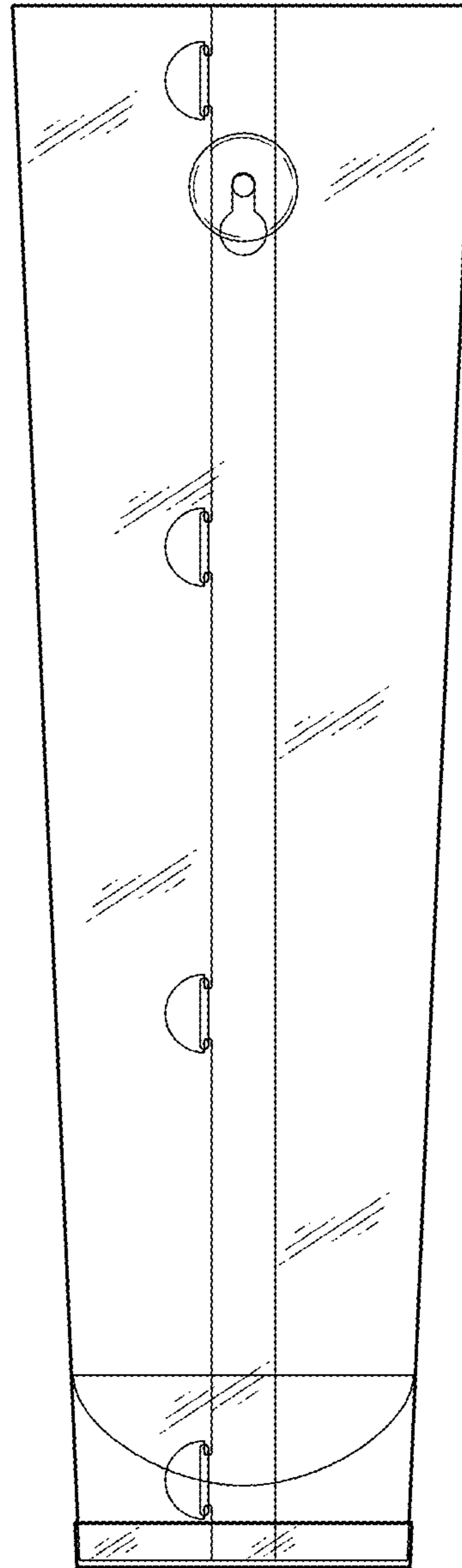


FIG. 3

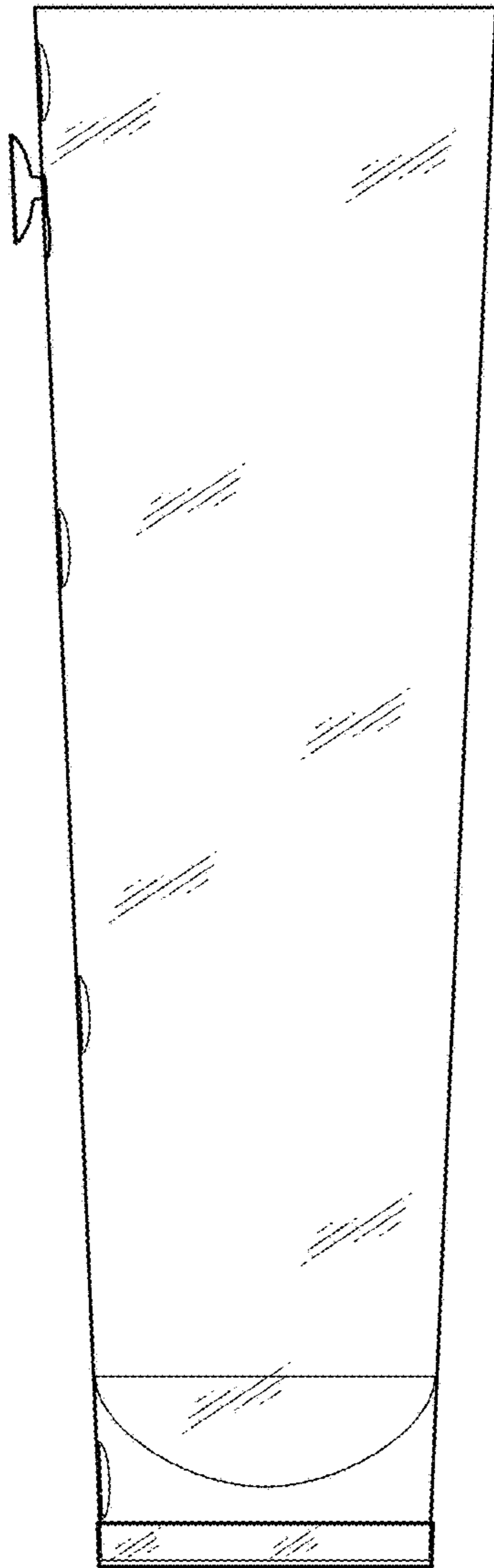


FIG. 4

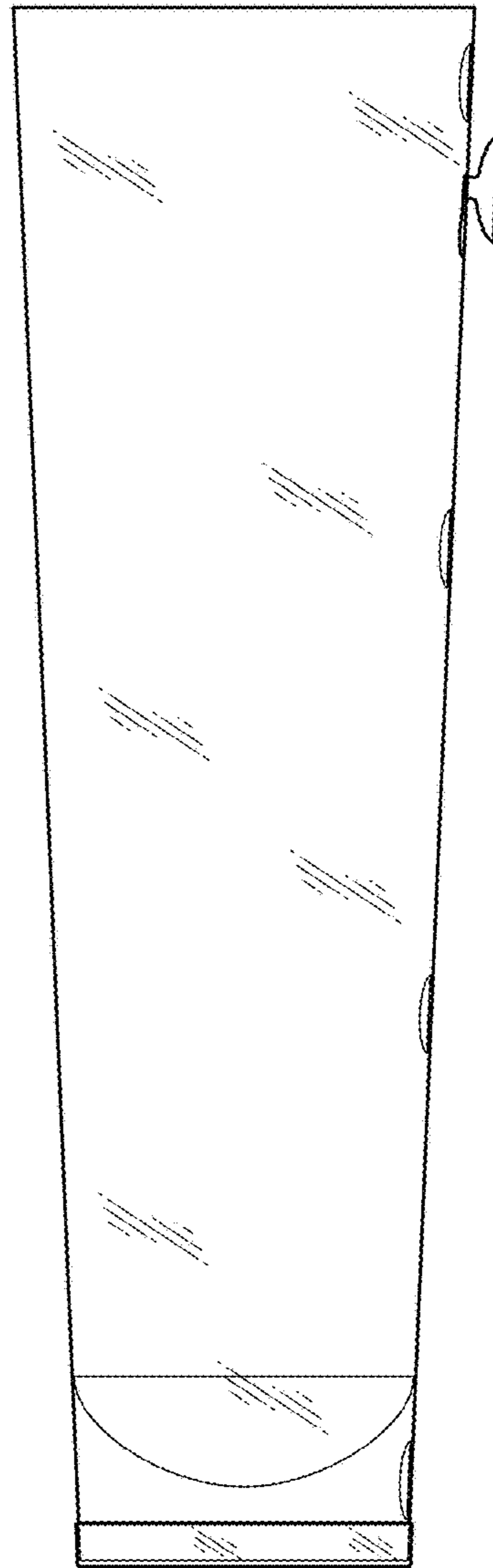


FIG. 5

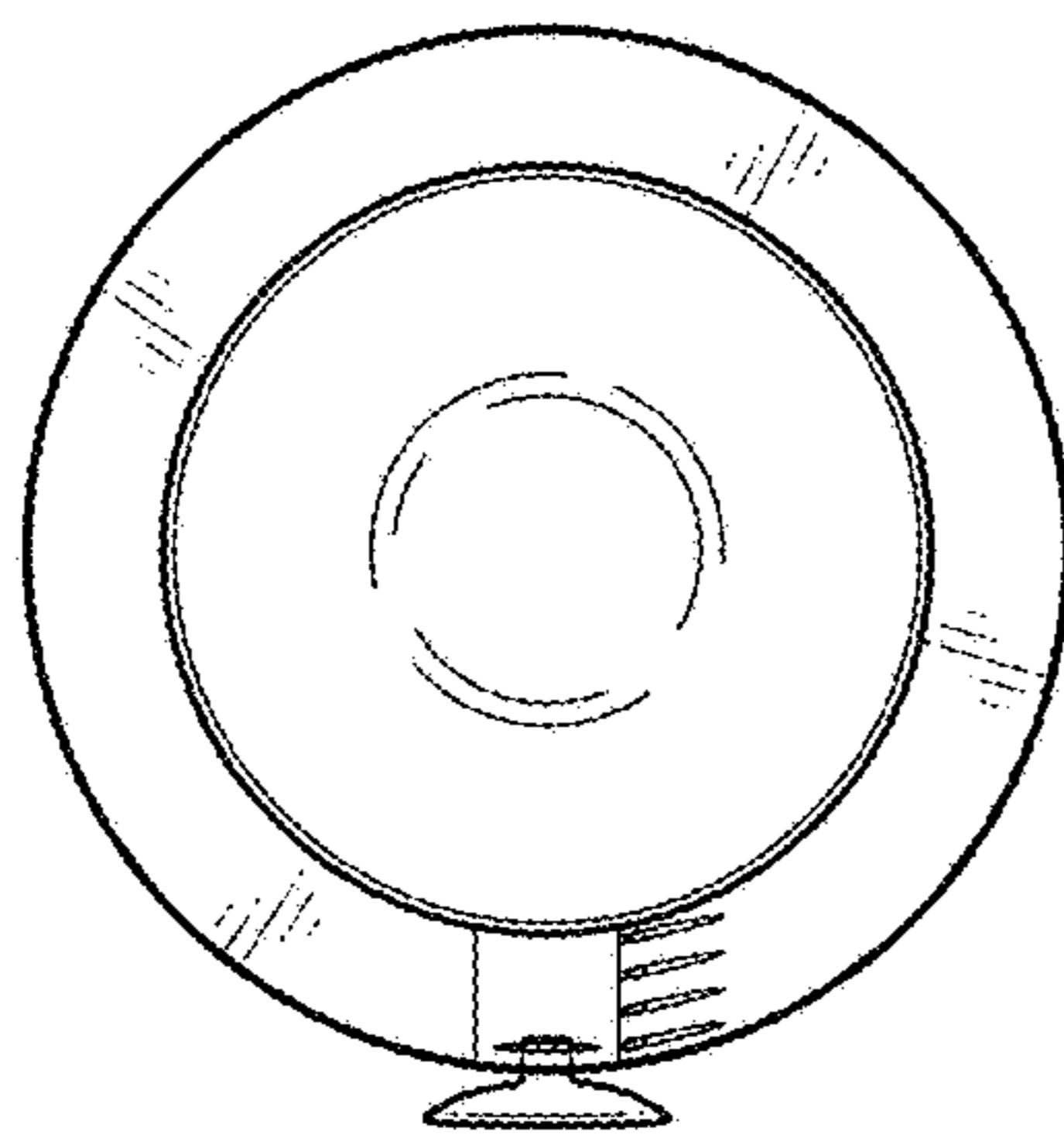


FIG. 6

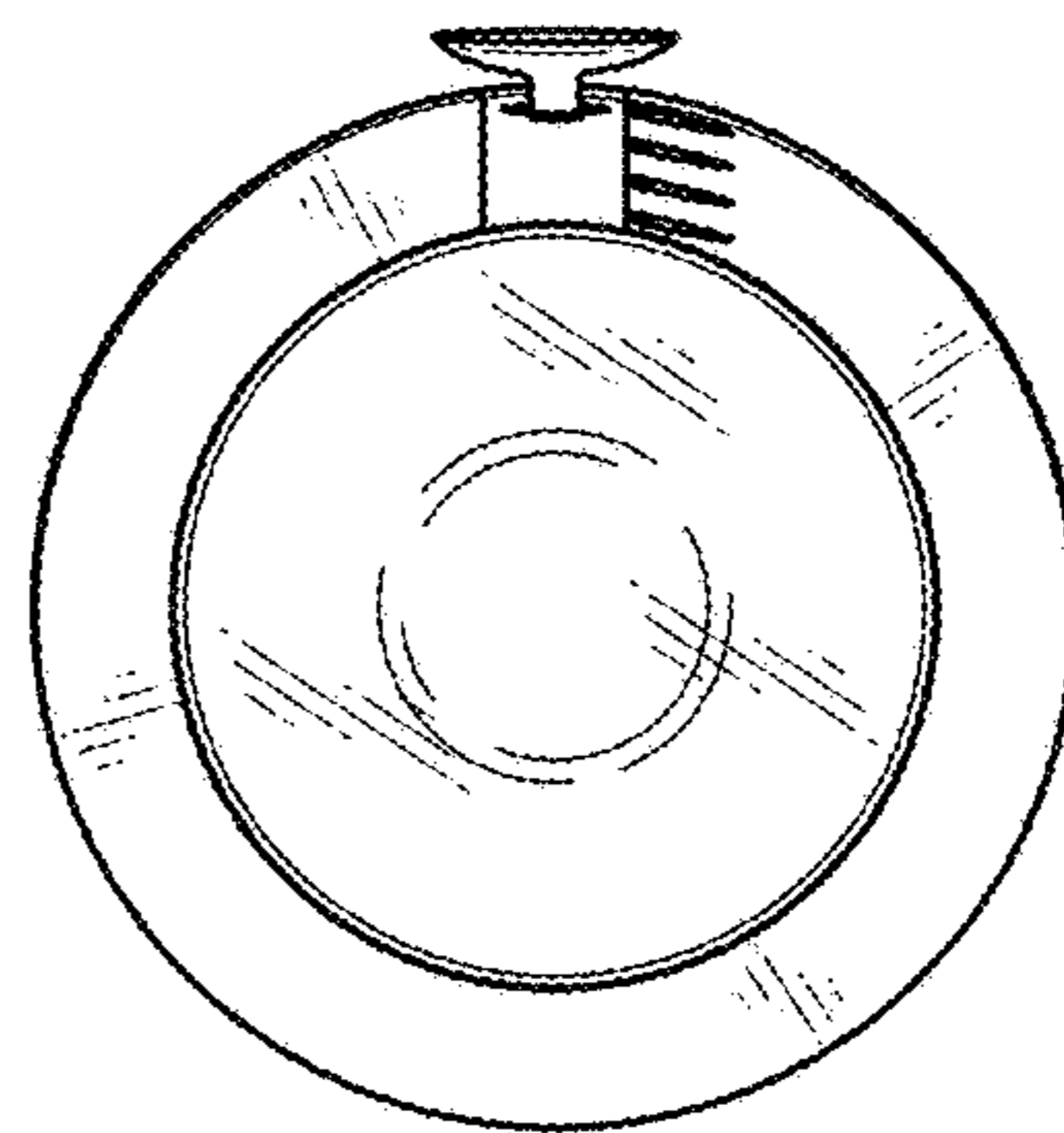


FIG. 7