



US00D776562S

(12) **United States Design Patent** (10) **Patent No.:** **US D776,562 S**  
**Eckert** (45) **Date of Patent:** **\*\* Jan. 17, 2017**

- (54) **PLANTER ASSEMBLY**
- (71) Applicant: **Eckert's Greenhouse Inc.**, Sterling Heights, MI (US)
- (72) Inventor: **Karl Eckert**, Sterling Heights, MI (US)
- (73) Assignee: **Eckert's Greenhouse Inc.**, Sterling Heights, MI (US)
- (\*\*) Term: **15 Years**
- (21) Appl. No.: **29/533,771**
- (22) Filed: **Jul. 22, 2015**
- (51) **LOC (10) Cl.** ..... **11-02**
- (52) **U.S. Cl.**  
USPC ..... **D11/143**
- (58) **Field of Classification Search**  
USPC ..... D6/403-405, 556-558; D11/143-156, D11/164; D7/509, 523, 532  
CPC ..... A01G 9/02; A01G 9/021; A01G 9/023; A01G 9/024; A01G 9/04  
See application file for complete search history.

(56) **References Cited**

**U.S. PATENT DOCUMENTS**

- 1,499,473 A \* 7/1924 Price ..... A01G 9/02 47/67
- 2,813,619 A \* 11/1957 Gerowin ..... A45F 5/08 206/423
- 3,747,268 A 7/1973 Linder
- D278,521 S \* 4/1985 Baird ..... D11/143
- 4,708,256 A \* 11/1987 Intardonato ..... A47G 23/06 220/23.4
- 4,847,741 A 7/1989 Boettinger
- 4,991,346 A 2/1991 Costa et al.
- 5,082,699 A \* 1/1992 Landau ..... A47G 7/06 248/27.8

- 5,294,012 A \* 3/1994 Shott ..... B65F 1/0066 220/23.4
- D383,417 S \* 9/1997 Davis ..... D11/143
- D386,114 S \* 11/1997 Carson ..... D11/143
- 5,960,587 A 10/1999 Brasseur et al.
- 5,967,359 A \* 10/1999 Mindell ..... A47B 37/04 220/475
- D416,214 S \* 11/1999 Conner ..... D11/143
- 6,085,459 A \* 7/2000 Conner ..... A01G 9/02 47/41.01
- 6,161,333 A \* 12/2000 Poston ..... A01G 9/02 47/86
- 6,381,902 B1 \* 5/2002 Batshon ..... A01G 9/02 47/86
- D492,617 S \* 7/2004 Axworthy ..... D11/149
- 6,964,129 B2 \* 11/2005 Fenwick ..... A01G 9/02 47/66.1
- 7,837,165 B2 \* 11/2010 Stone ..... A47G 7/044 224/414

(Continued)

*Primary Examiner* — Elizabeth Albert  
(74) *Attorney, Agent, or Firm* — Endurance Law Group, PLC

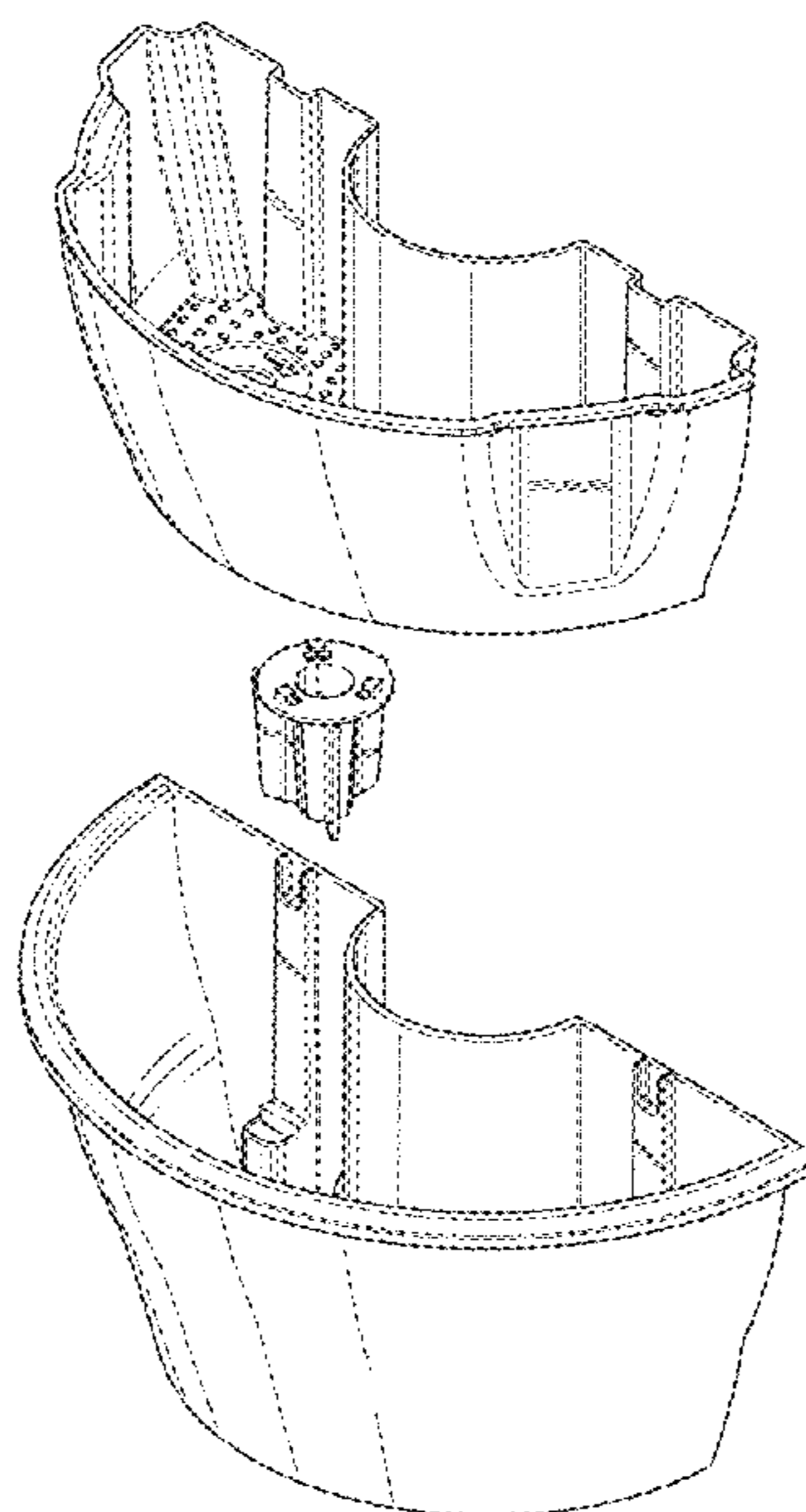
(57) **CLAIM**

I claim the ornamental design for a planter assembly, as shown and described.

**DESCRIPTION**

FIG. 1 is an assembled perspective view of a planter assembly showing my new design;  
FIG. 2 is an exploded perspective view thereof;  
FIG. 3 is an exploded front elevation view thereof;  
FIG. 4 is an exploded rear elevation view thereof;  
FIG. 5 is an exploded left side view, with the right side view being a mirror image thereof;  
FIG. 6 is an exploded top thereof; and,  
FIG. 7 is an exploded bottom view thereof.

**1 Claim, 7 Drawing Sheets**



(56)

**References Cited**

U.S. PATENT DOCUMENTS

D632,209 S *	2/2011	Sheaffer .....	D11/143
7,958,671 B2 *	6/2011	Sheaffer .....	A01G 9/02 47/65.5
D641,653 S *	7/2011	Gregson .....	D11/143
8,065,834 B2	11/2011	Eckert	

\* cited by examiner

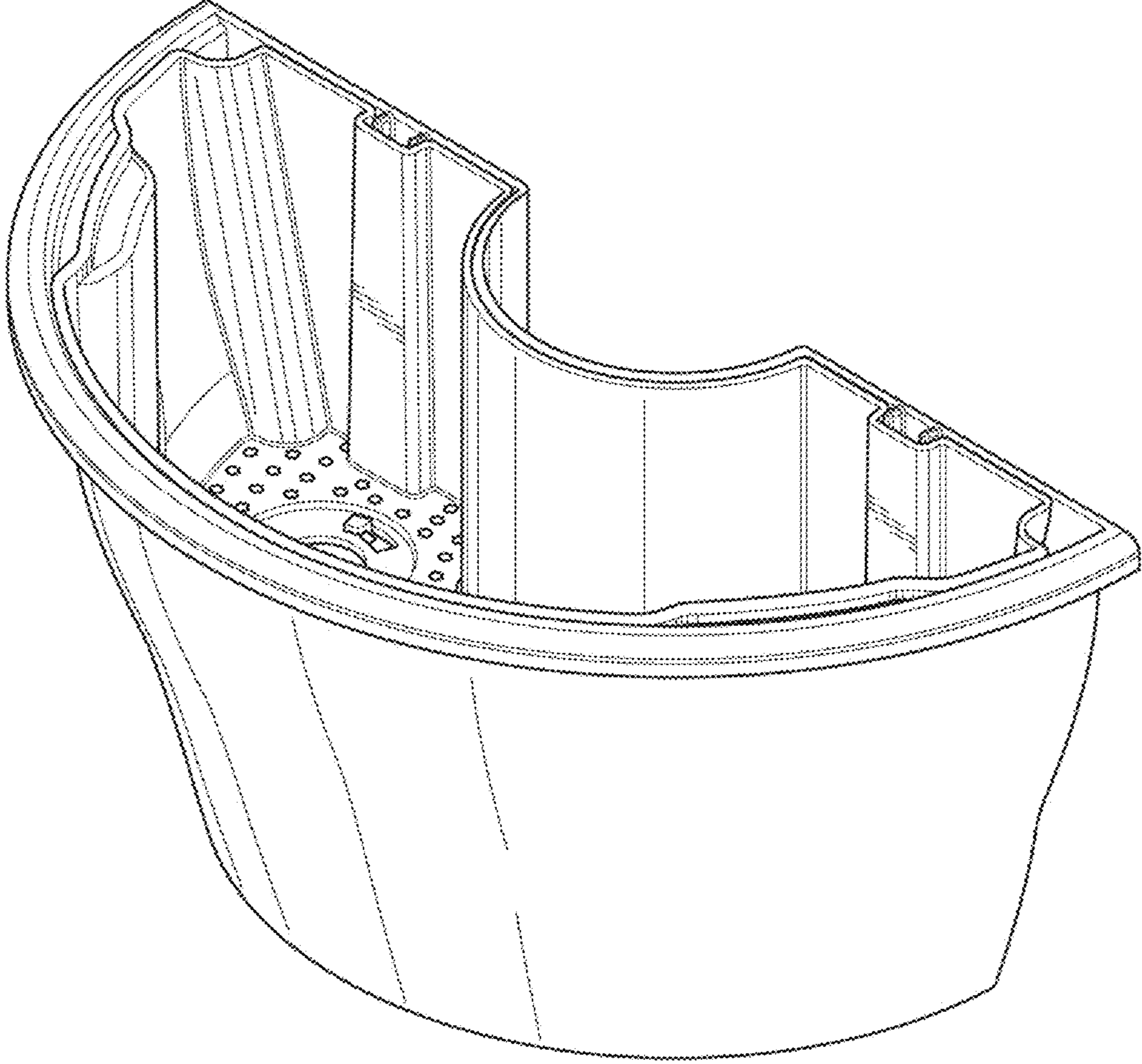
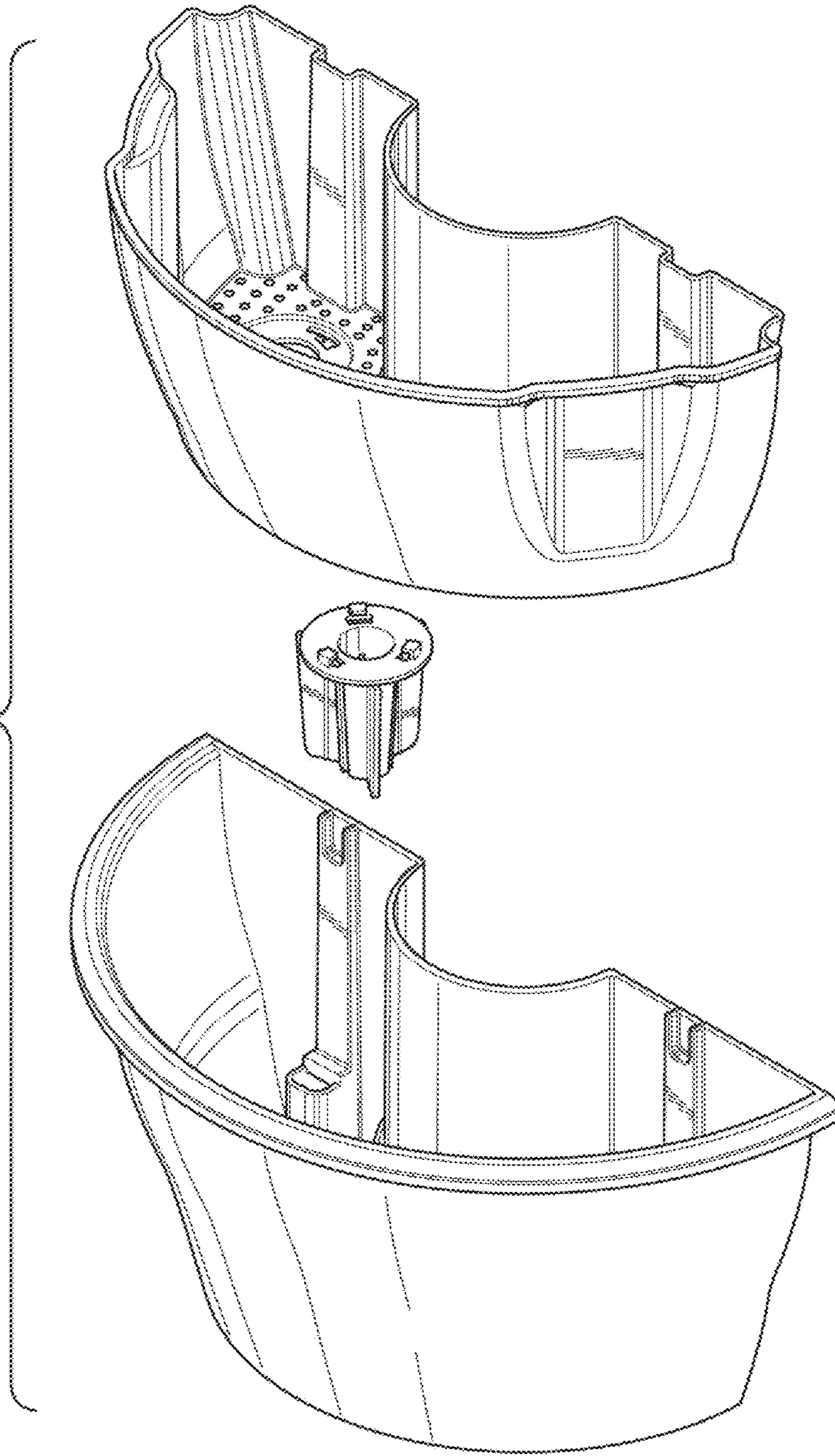


FIG. 1

FIG. 2



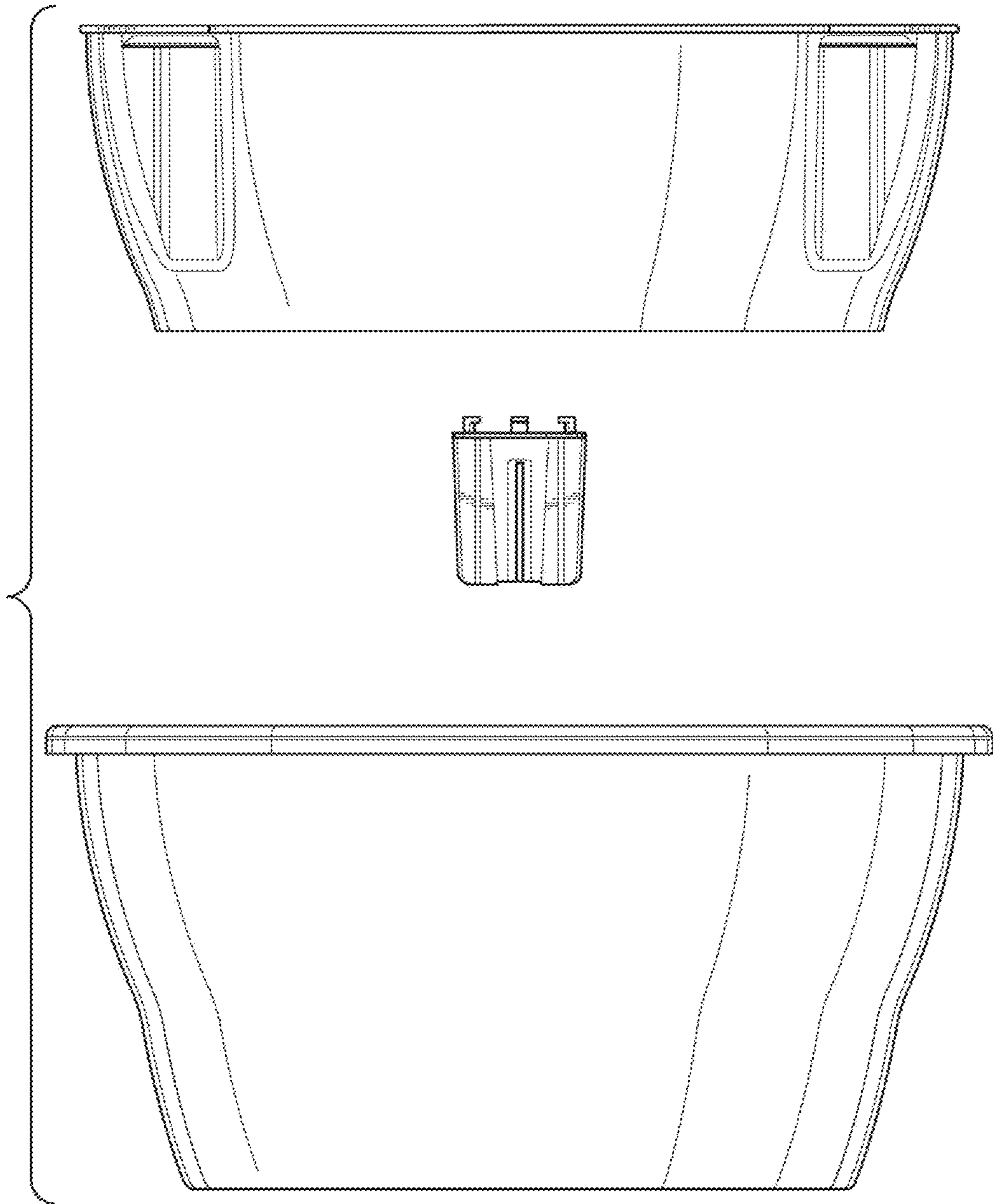


FIG. 3

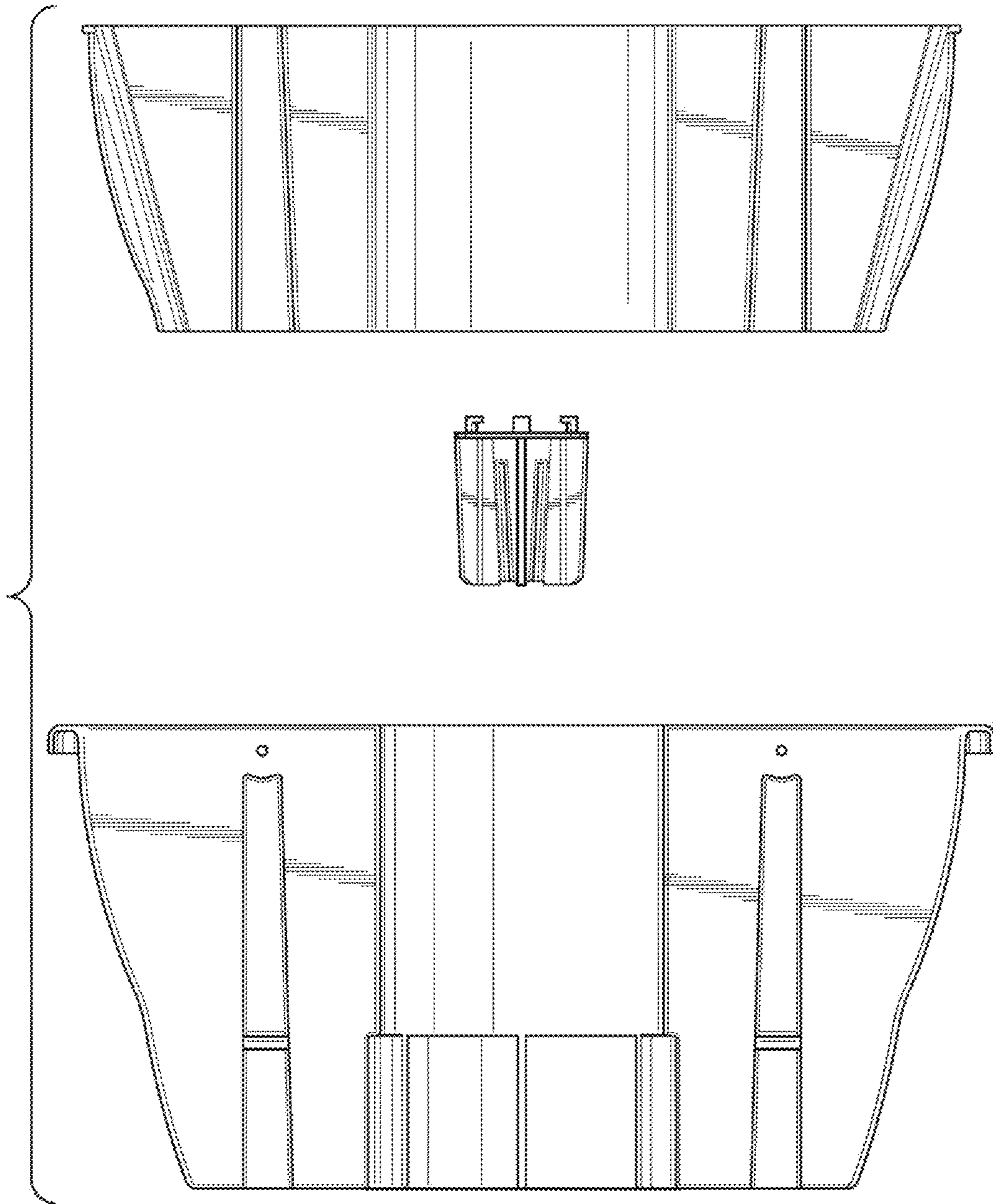


FIG. 4

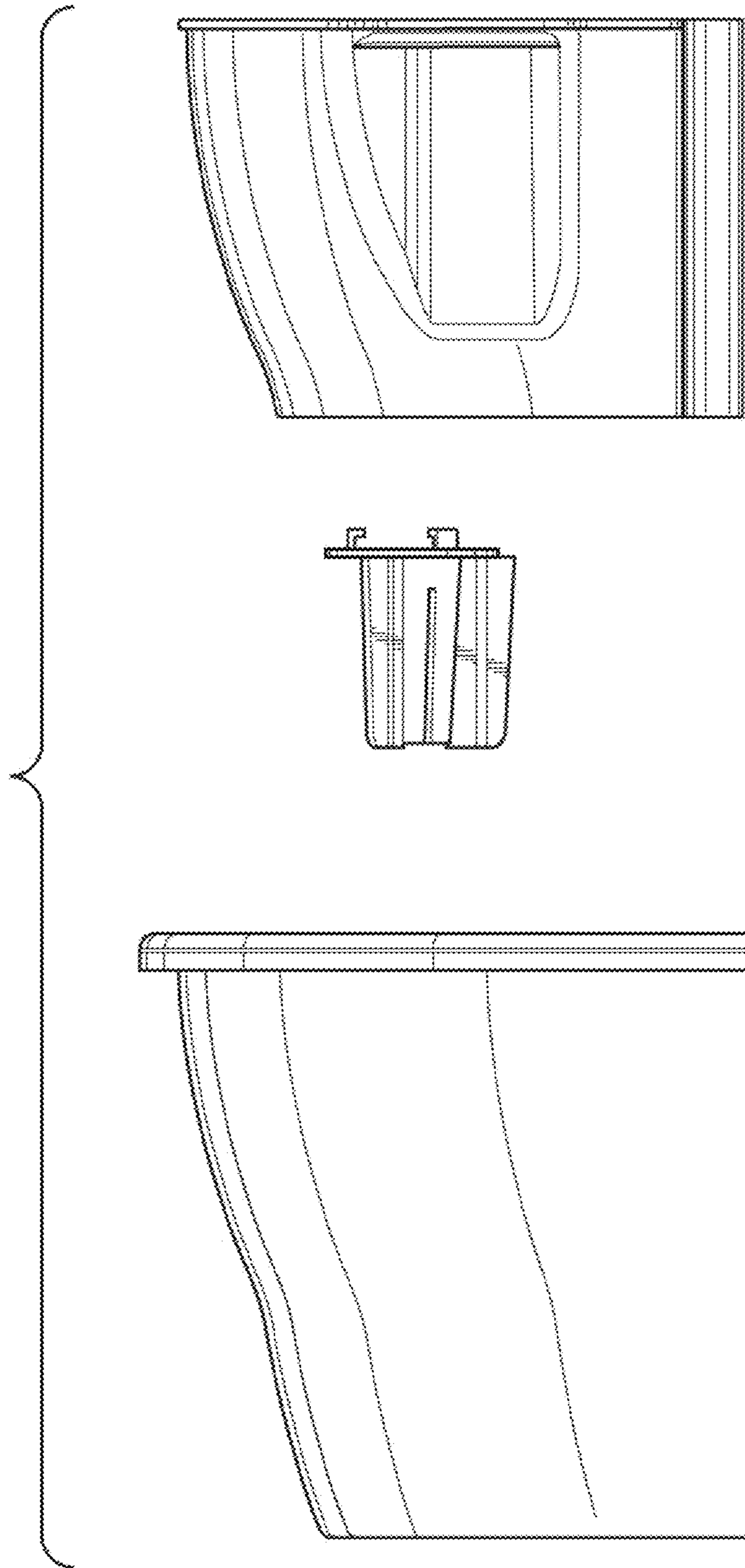


FIG. 5

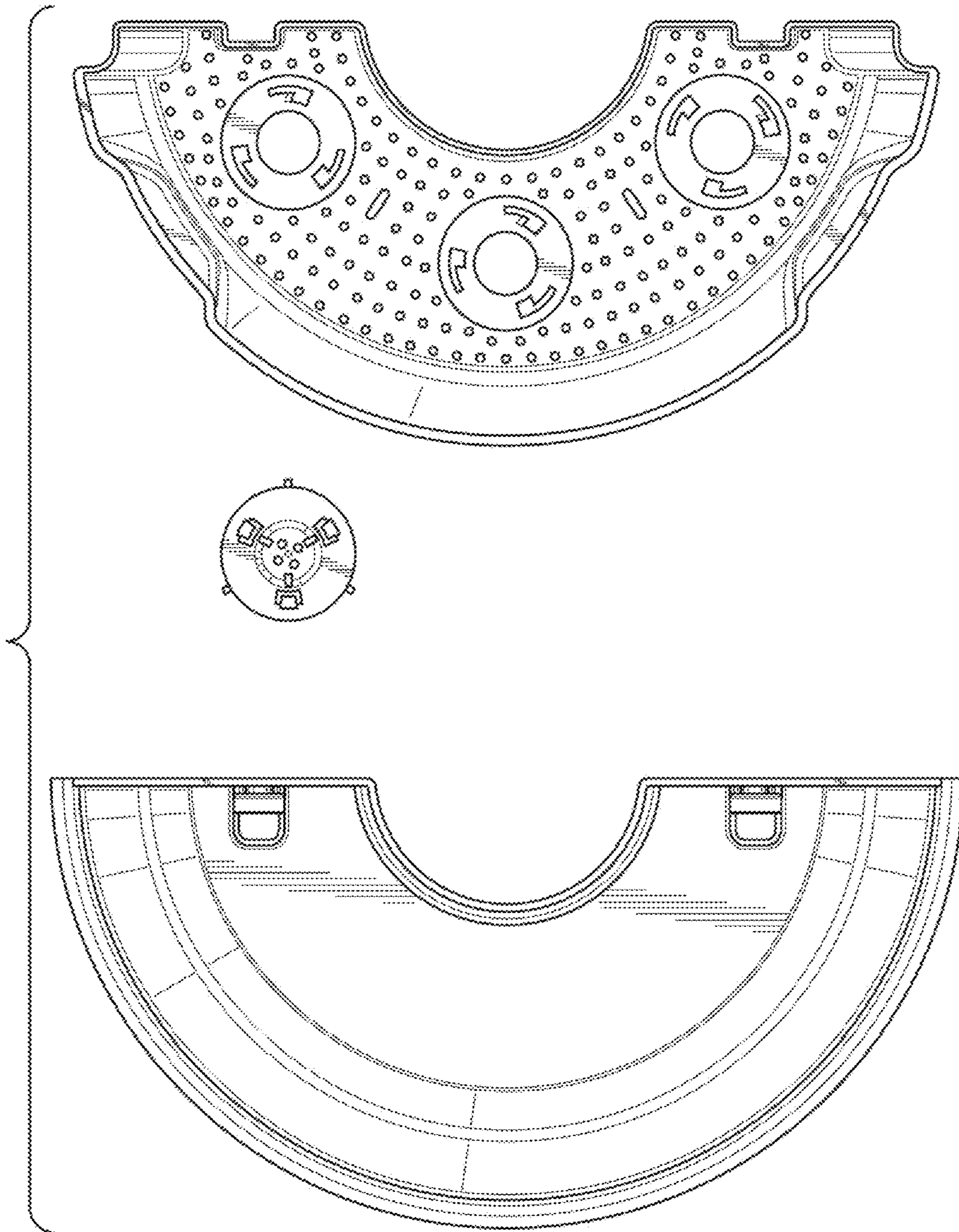


FIG. 6



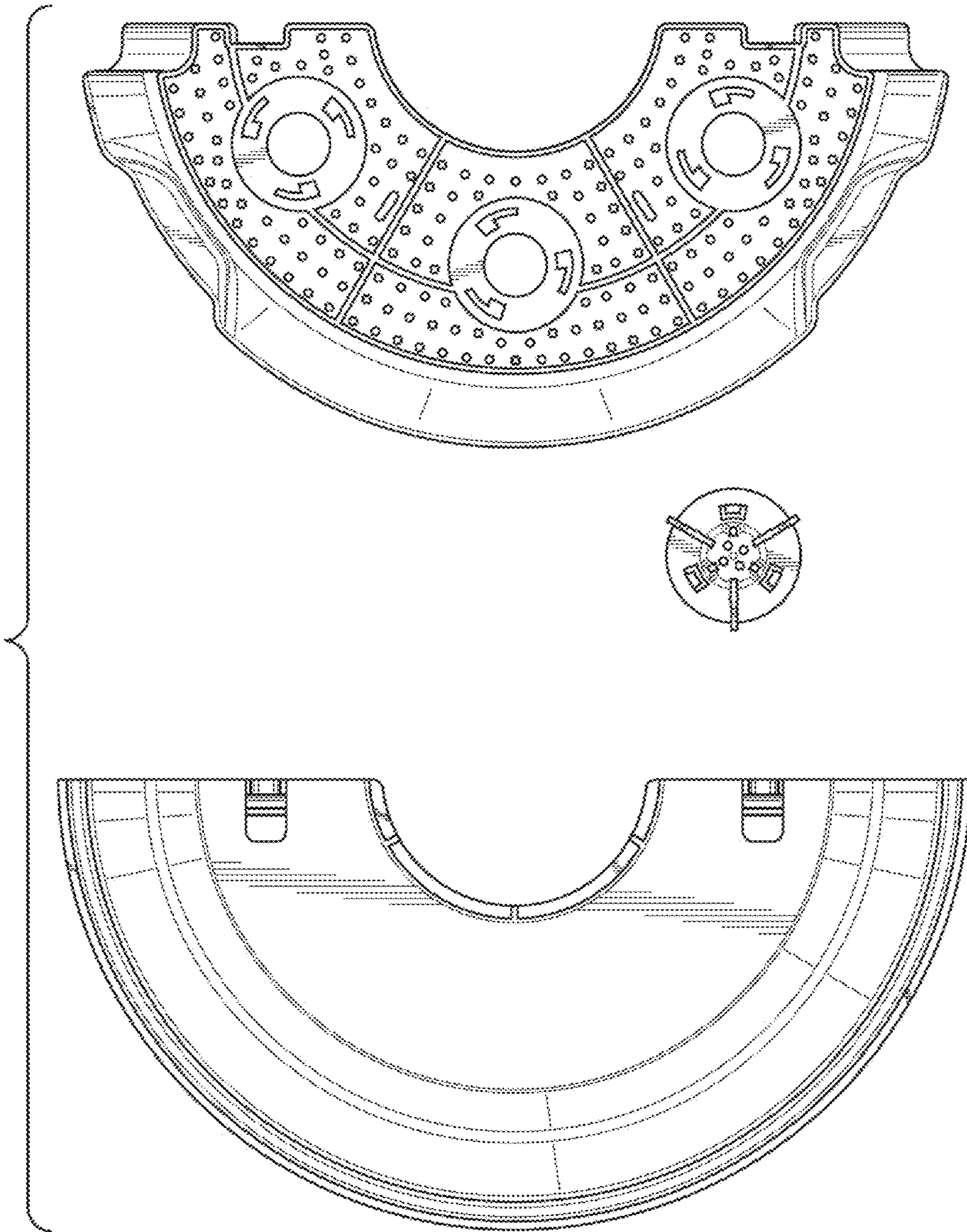


FIG. 7