



US00D776551S

(12) **United States Design Patent**
Teranishi et al.

(10) **Patent No.: US D776,551 S**

(45) **Date of Patent: ** *Jan. 17, 2017**

- (54) **PROBE PIN**
- (71) Applicant: **OMRON Corporation**, Kyoto-shi, Kyoto (JP)
- (72) Inventors: **Hirotsada Teranishi**, Osaka (JP); **Takahiro Sakai**, Moriyama (JP)
- (73) Assignee: **OMRON CORPORATION**, Kyoto (JP)
- (*) Notice: This patent is subject to a terminal disclaimer.

D665,744 S *	8/2012	Yamauchi	D13/133
D665,745 S *	8/2012	Yamauchi	D13/133
8,366,496 B2 *	2/2013	Hsu	G01R 1/0466 439/66
8,460,010 B2 *	6/2013	Kimura	G01R 1/06722 439/66
8,669,774 B2 *	3/2014	Kato	G01R 1/06722 324/755.01
8,808,038 B2 *	8/2014	Hwang	G01R 1/06722 439/66
9,130,290 B2 *	9/2015	Sakai	H01R 13/2428
D749,968 S *	2/2016	Huang	D10/77
D750,987 S *	3/2016	Huang	D10/80
9,322,846 B2 *	4/2016	Sakai	G01R 1/06716

(**) Term: **15 Years**

(21) Appl. No.: **29/530,260**

(22) Filed: **Jun. 15, 2015**

(30) **Foreign Application Priority Data**

Dec. 15, 2014 (JP) 2014-027890

(51) **LOC (10) Cl.** **10-04**

(52) **U.S. Cl.**
USPC **D10/78**

(58) **Field of Classification Search**
USPC D10/78, 80; D13/133, 154
CPC . G01R 1/067; G01R 1/06705; G01R 1/06711;
G01R 1/06716; G01R 1/06722; G01R
1/06727; G01R 1/06733; G01R 1/06738;
G01R 1/06744; G01R 1/0675; G01R
1/06766; G01R 1/06772; G01R 1/06777;
G01R 1/06783; G01R 1/0678

See application file for complete search history.

(56) **References Cited**

U.S. PATENT DOCUMENTS

D229,184 S *	11/1973	Brown et al.	D10/103
D507,197 S *	7/2005	Sun	D10/72
D662,895 S *	7/2012	Kimura	D13/154

FOREIGN PATENT DOCUMENTS

JP	2011-232181 A	11/2011
TW	D157152	11/2013

OTHER PUBLICATIONS

U.S. Appl. No. 29/530,261, filed Jun. 15, 2015.

(Continued)

Primary Examiner — Antoine D Davis

(74) *Attorney, Agent, or Firm* — Sterne, Kessler, Goldstein & Fox P.L.L.C.

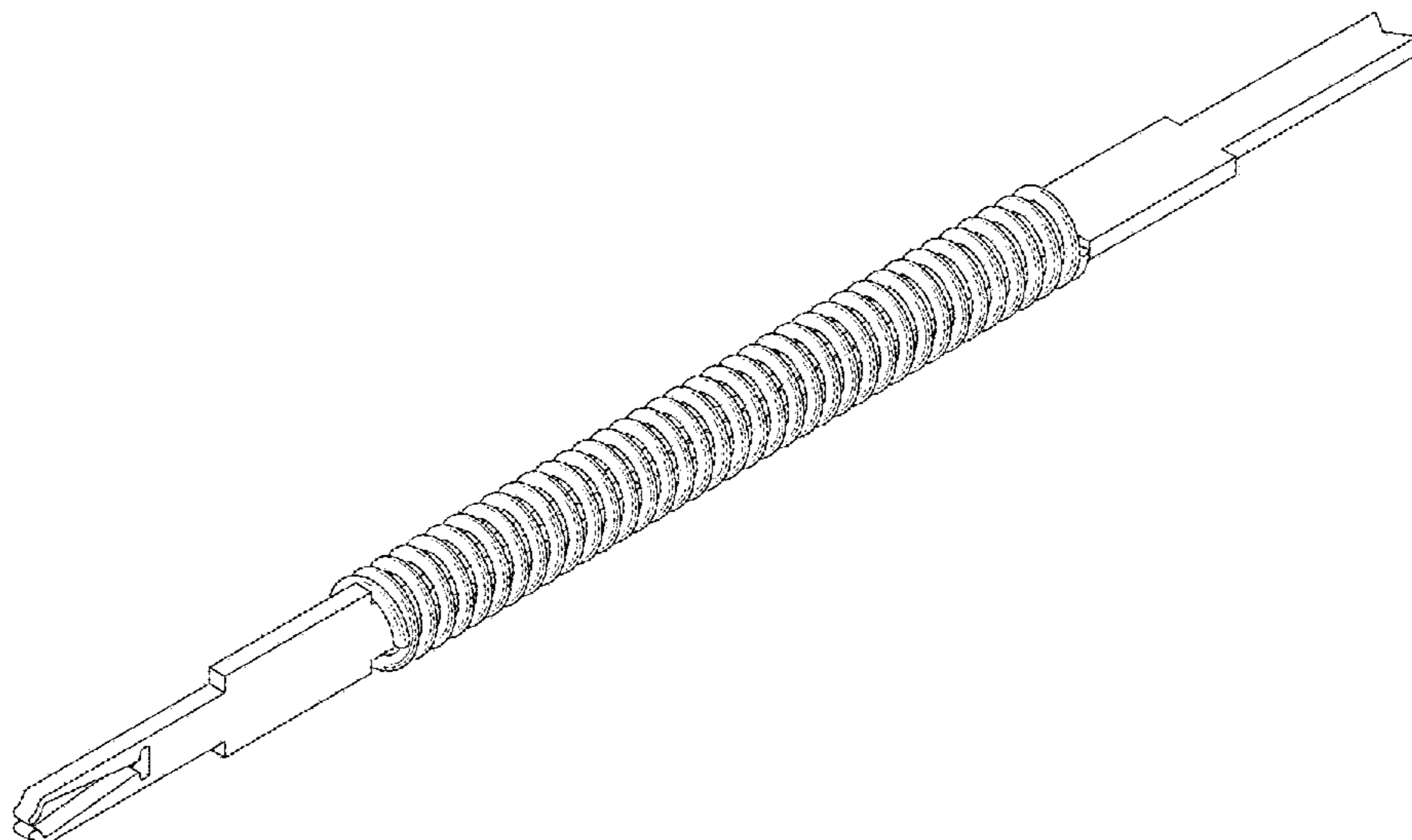
(57) **CLAIM**

The ornamental design for a probe pin, as shown and described.

DESCRIPTION

FIG. 1 is a perspective view of a probe pin;
FIG. 2 is a front elevation view thereof;
FIG. 3 is a rear elevation view thereof;
FIG. 4 is a left side view thereof;
FIG. 5 is a right side view thereof;
FIG. 6 is a top plan view thereof; and,
FIG. 7 is a bottom plan view thereof.

1 Claim, 3 Drawing Sheets



(56)

References Cited

OTHER PUBLICATIONS

U.S. Appl. No. 29/530,263, filed Jun. 15, 2015.
U.S. Appl. No. 29/530,264, filed Jun. 15, 2015.
U.S. Appl. No. 29/530,265, filed Jun. 15, 2015.
U.S. Appl. No. 29/530,266, filed Jun. 15, 2015.
U.S. Appl. No. 29/530,394, filed Jun. 16, 2015.
U.S. Appl. No. 29/530,396, filed Jun. 16, 2015.
Taiwanese Office Action issued in TW Appl. No. 104303166 on Oct. 27, 2015.
Taiwanese Office Action issued in TW Appl. No. 104303167 on Oct. 27, 2015.
Taiwanese Office Action issued in TW Appl. No. 104303168 on Oct. 27, 2015.
Taiwanese Office Action issued in TW Appl. No. 104303169 on Oct. 27, 2015.

* cited by examiner

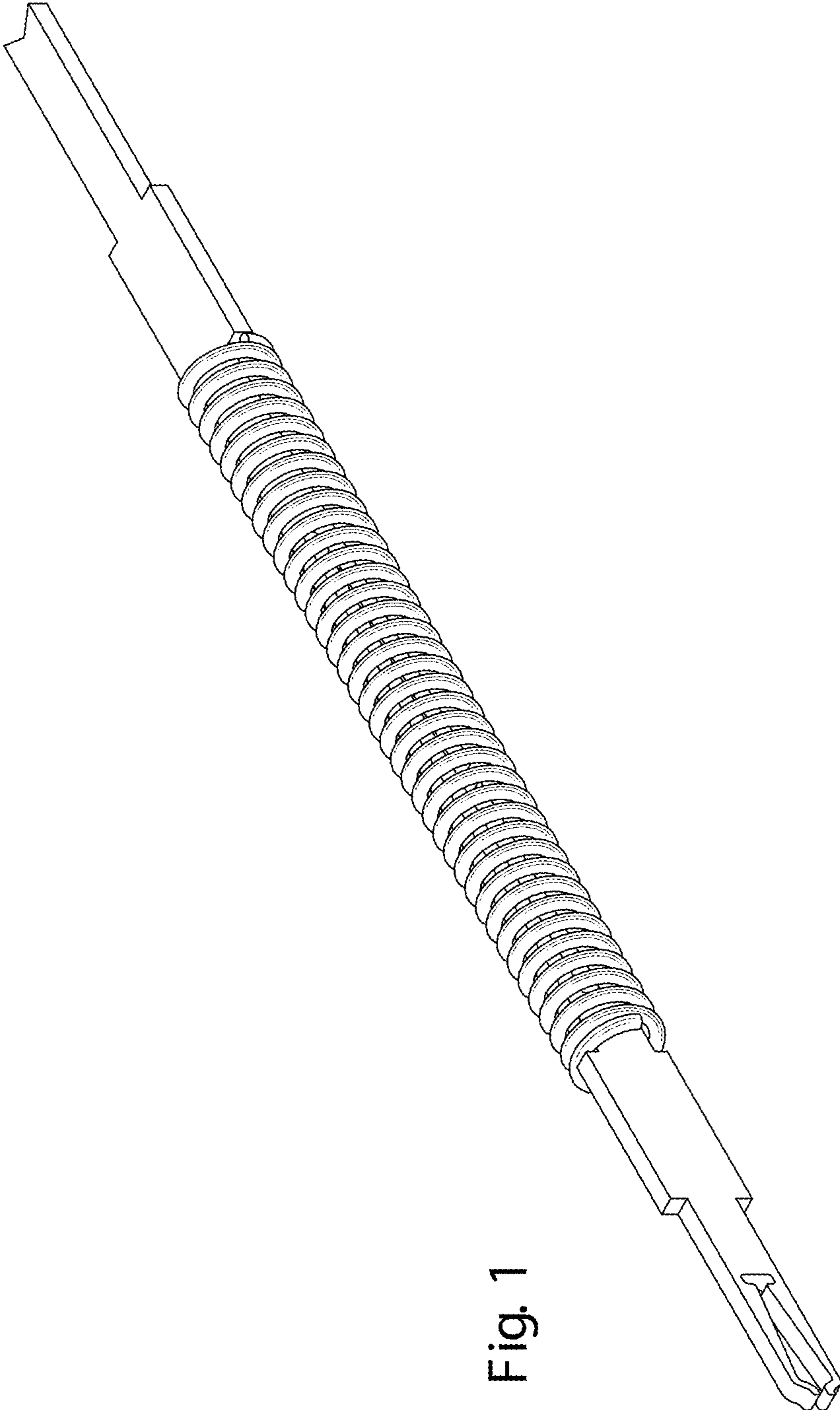


Fig. 1

Fig. 2

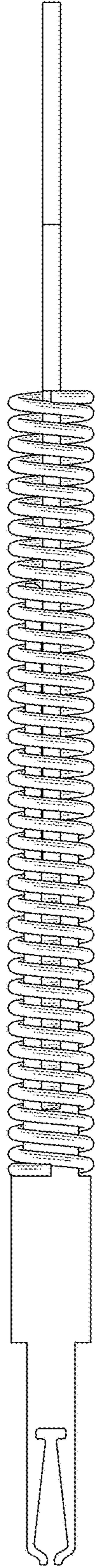


Fig. 3

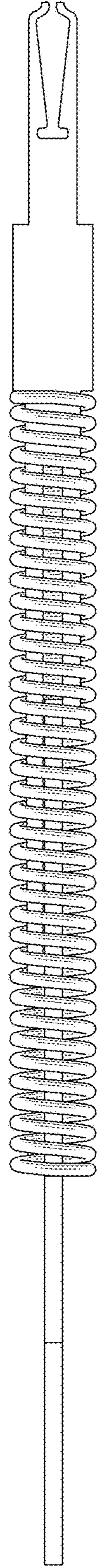


Fig. 4

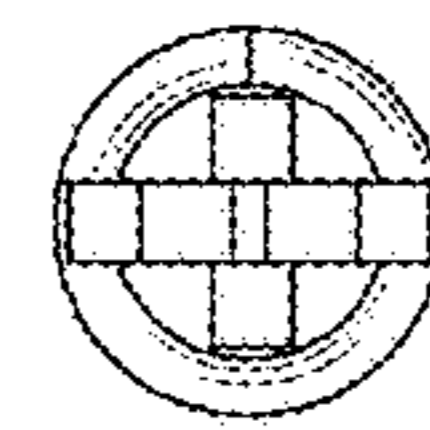


Fig. 5

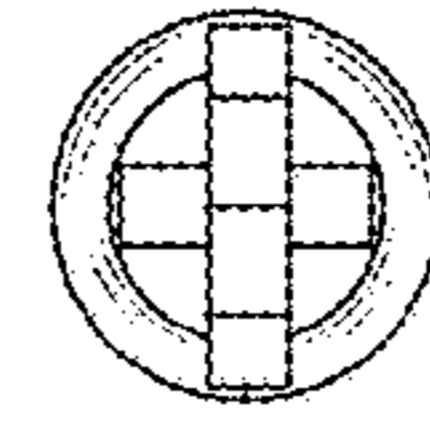


Fig. 6

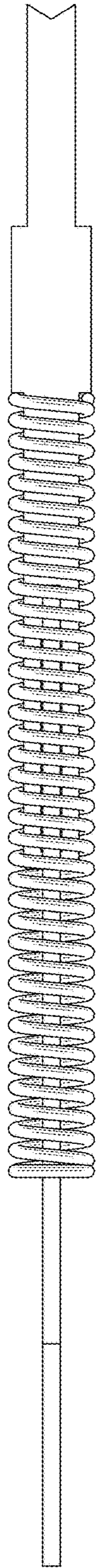


Fig. 7

