



US00D776550S

(12) **United States Design Patent**  
**Nakai**

(10) **Patent No.:** **US D776,550 S**

(45) **Date of Patent:** **\*\* Jan. 17, 2017**

(54) **WRIST WATCH**

(71) Applicant: **CASIO KEISANKI KABUSHIKI KAISHA**, Shibuya-ku, Tokyo (JP)

(72) Inventor: **Toshio Nakai**, Tokyo (JP)

(73) Assignee: **CASIO KEISANKI KABUSHIKI KAISHA**, Tokyo (JP)

(\*\*) Term: **15 Years**

(21) Appl. No.: **29/549,696**

(22) Filed: **Dec. 28, 2015**

(30) **Foreign Application Priority Data**

Jul. 3, 2015 (CN) ..... 2015 3 0232677

(51) **LOC (10) Cl.** ..... **10-02**

(52) **U.S. Cl.**  
USPC ..... **D10/39; D10/30; D10/132**

(58) **Field of Classification Search**  
USPC ..... D10/30-39, 122-132  
CPC ..... H04L 63/1416; G04B 19/00; G04B 19/20;  
G04B 19/14; G04B 19/18; G04B 37/0058;  
G04B 37/0008; G04B 37/116; G04B  
37/1486; G04B 45/0069  
See application file for complete search history.

(56) **References Cited**

**U.S. PATENT DOCUMENTS**

- D23,464 S \* 7/1894 Colby ..... D10/1
- D240,026 S \* 5/1976 Szalek ..... D10/126
- D504,829 S \* 5/2005 Moriai ..... D10/30
- D514,454 S \* 2/2006 Sekiguchi ..... D10/30
- D658,080 S \* 4/2012 Syoubayashi ..... D10/38
- D685,666 S \* 7/2013 Nakai ..... D10/128
- D724,447 S \* 3/2015 Akagi ..... D10/126

- D732,985 S \* 6/2015 Cerrato ..... D10/39
- D733,602 S \* 7/2015 Ikezu ..... D10/128
- D742,252 S \* 11/2015 Akagi ..... D10/126
- D742,763 S \* 11/2015 Hashimoto ..... D10/126
- D744,367 S \* 12/2015 Lalo ..... D10/128
- D755,061 S \* 5/2016 Nakai ..... D10/32
- D756,240 S \* 5/2016 Register ..... D10/30
- D756,244 S \* 5/2016 Bastian ..... D10/132
- D758,504 S \* 6/2016 Shimoda ..... D21/531
- D768,526 S \* 10/2016 Cerrato ..... D10/126
- 2004/0150578 A1 \* 8/2004 Nomura ..... H01Q 1/1207  
343/788

(Continued)

*Primary Examiner* — Sheryl Lane

*Assistant Examiner* — Samantha Wood

(74) *Attorney, Agent, or Firm* — Holtz, Holtz & Volek PC

(57) **CLAIM**

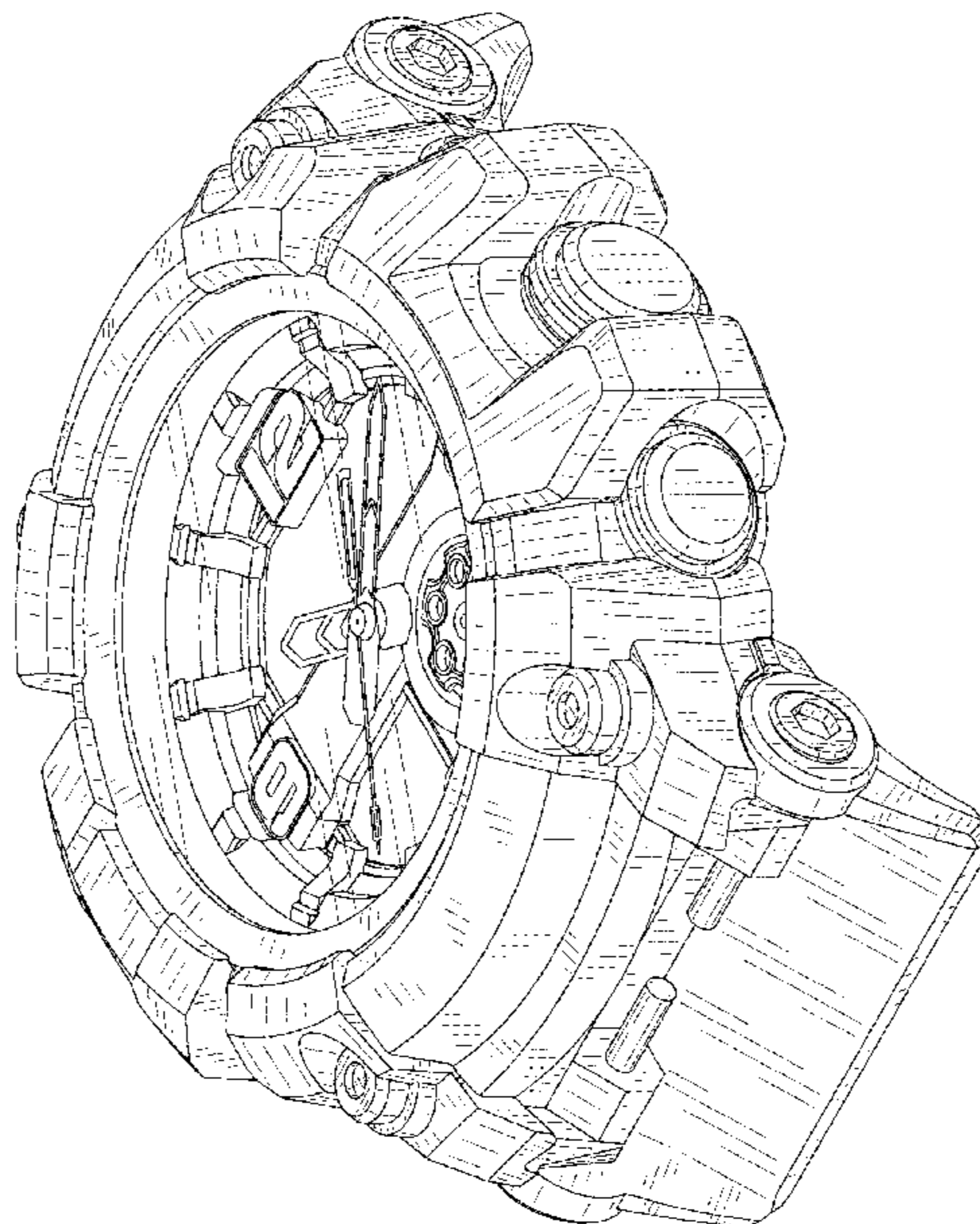
The ornamental design for a wrist watch, as shown and described.

**DESCRIPTION**

FIG. 1 is a front, right side, bottom perspective view of a wrist watch showing my new design;  
FIG. 2 is a front elevational view thereof;  
FIG. 3 is a rear elevational view thereof;  
FIG. 4 is a left side view thereof;  
FIG. 5 is a right side view thereof;  
FIG. 6 is a top plan view thereof;  
FIG. 7 is a bottom plan view thereof;  
FIG. 8 is a reference front elevational view thereof, showing a state in which this article is electrified; and,  
FIG. 9 is a reference perspective view thereof, with a watchband attached.

The broken line showing of the wrist watch is included for the purpose of illustrating the environmental structure and forms no part of the claimed design.

**1 Claim, 8 Drawing Sheets**



(56)

**References Cited**

U.S. PATENT DOCUMENTS

|              |      |        |                 |                      |
|--------------|------|--------|-----------------|----------------------|
| 2014/0078872 | A1 * | 3/2014 | Kitahara .....  | G04B 3/04<br>368/320 |
| 2016/0124390 | A1 * | 5/2016 | Kobayashi ..... | A44C 5/14<br>368/282 |

\* cited by examiner

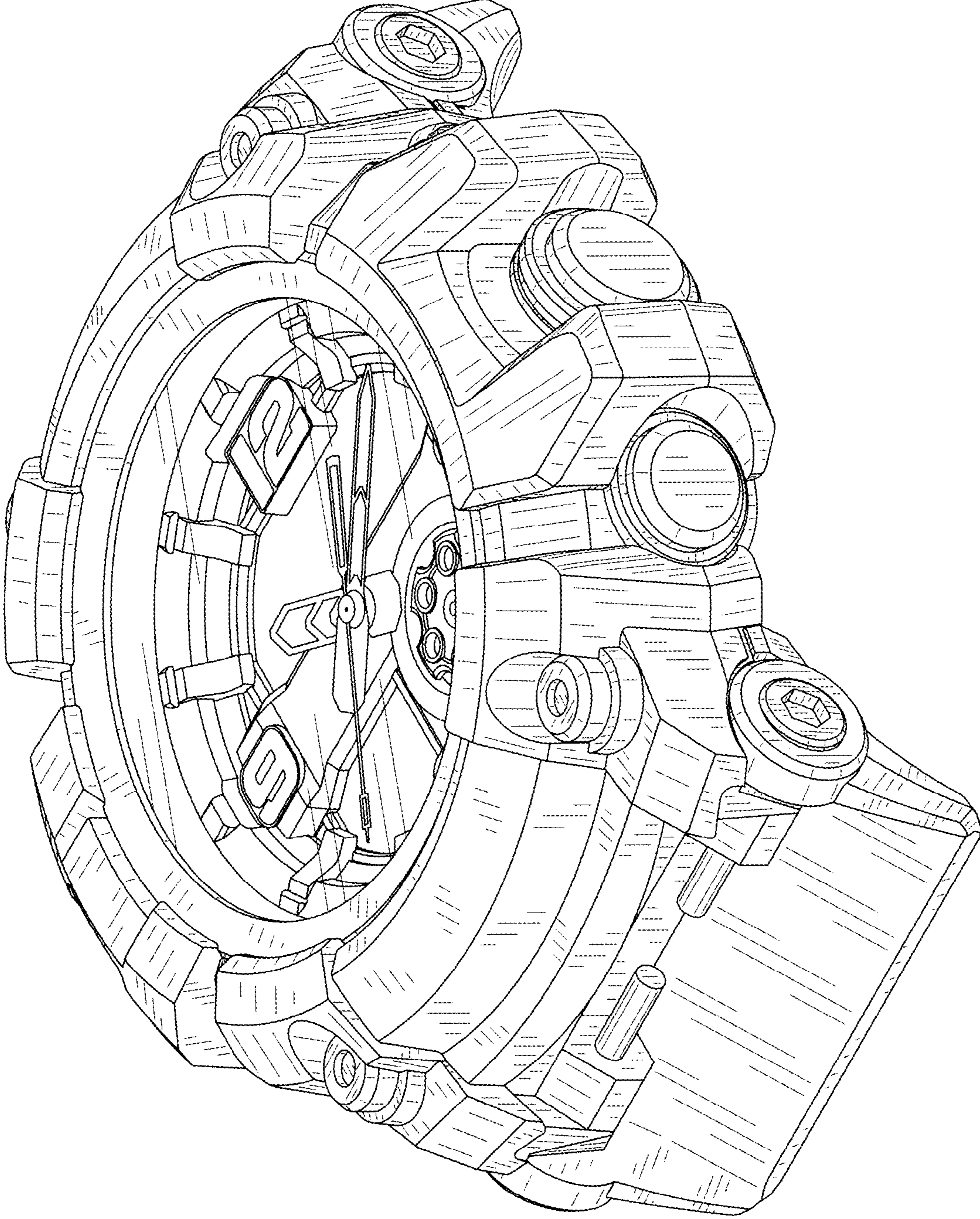


FIG. 1



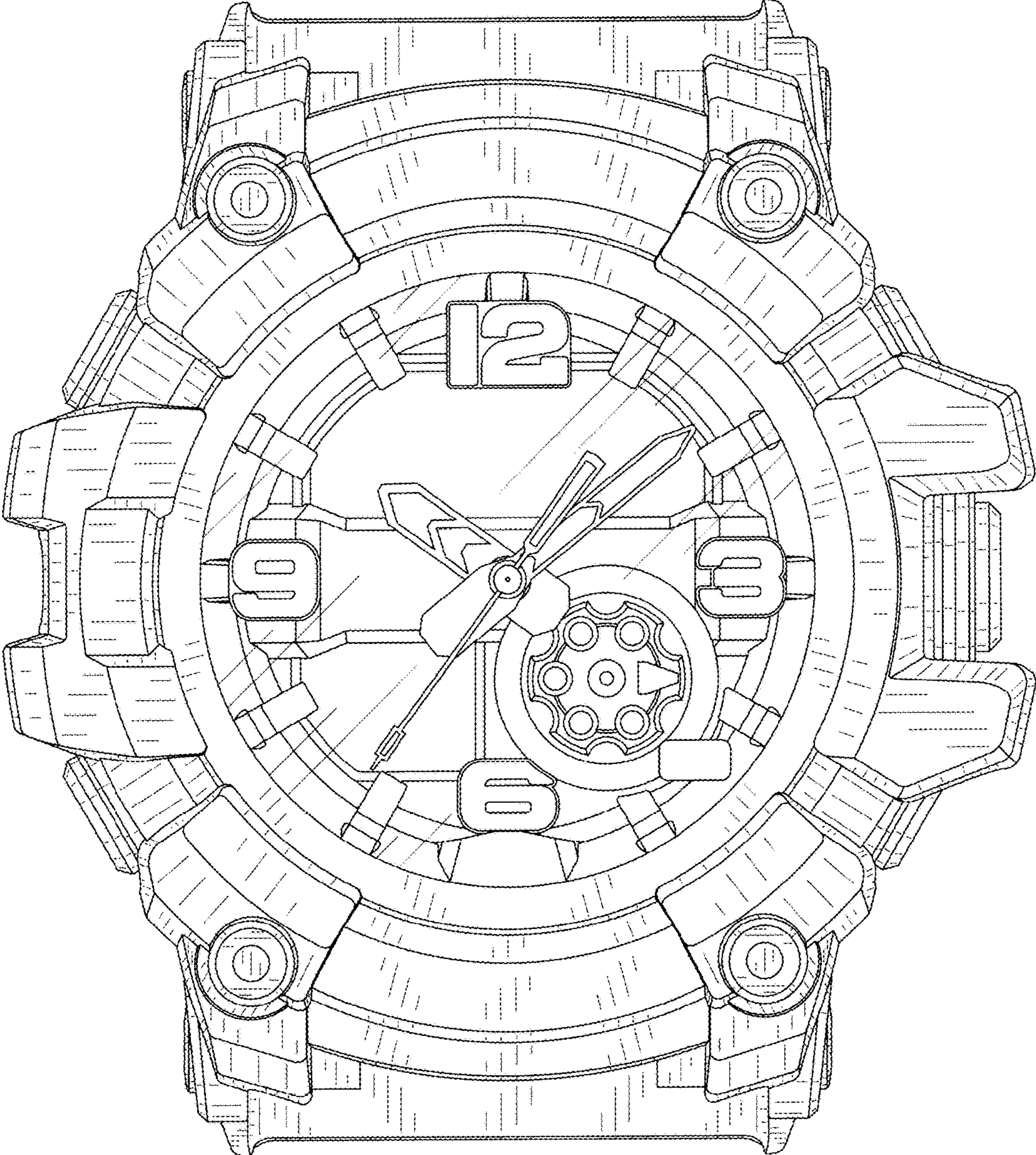
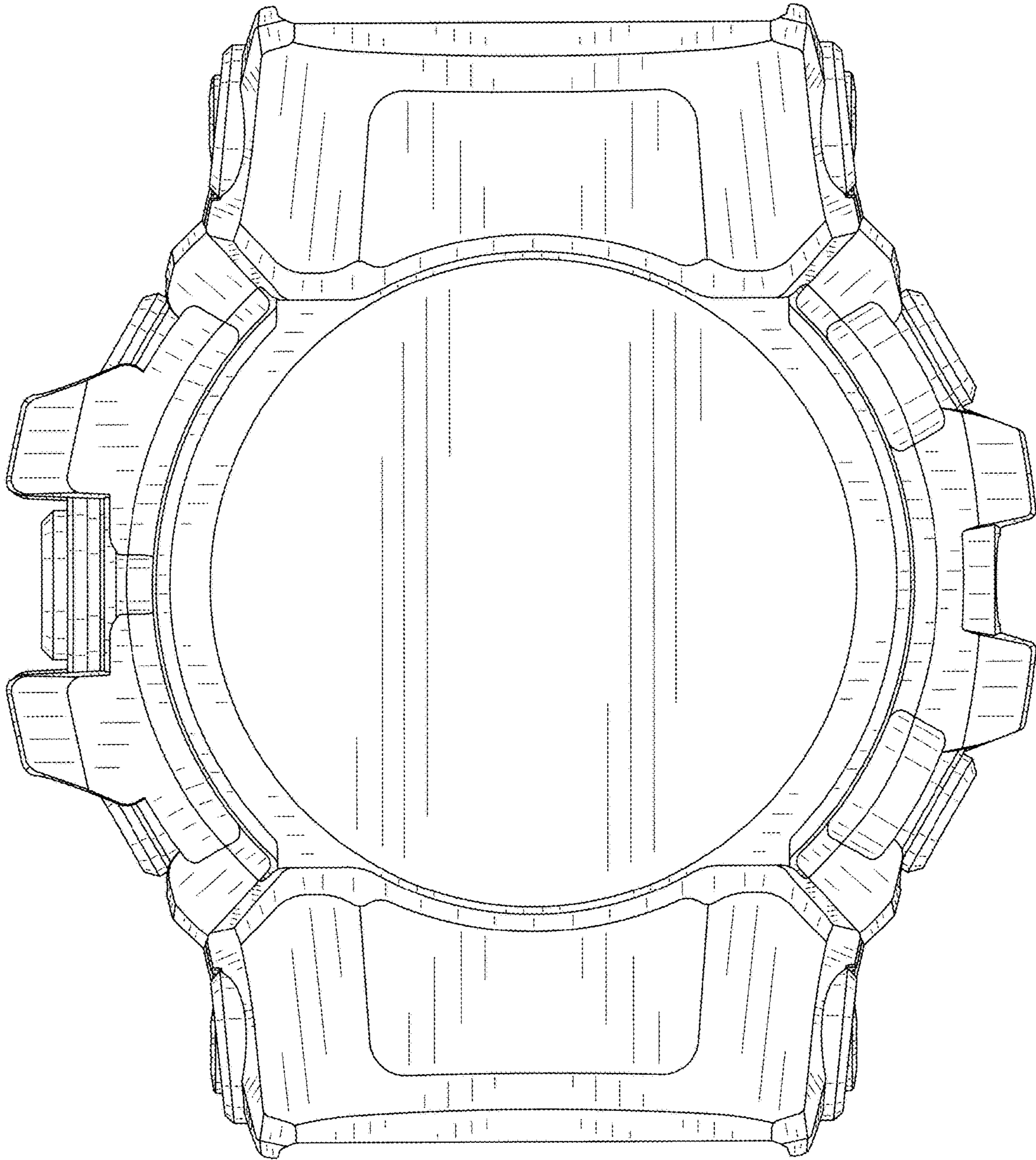
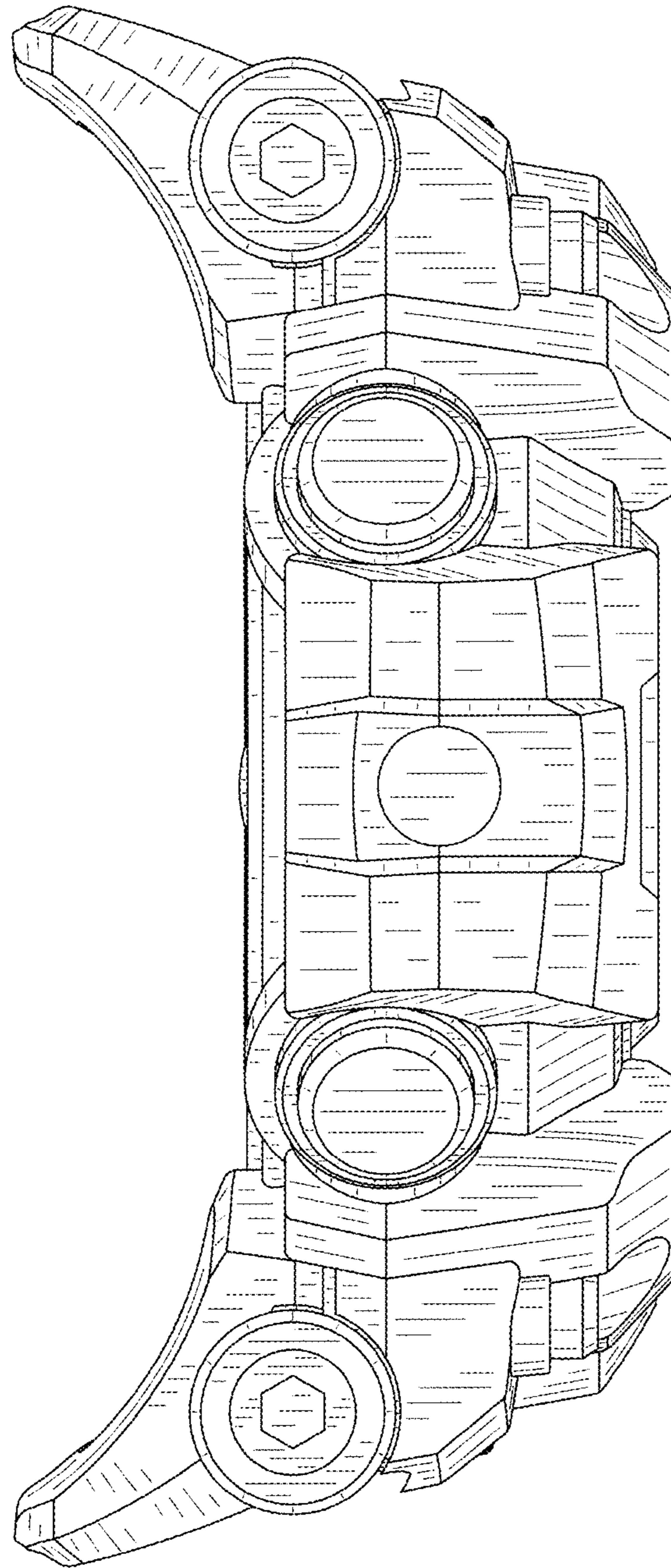


FIG. 2

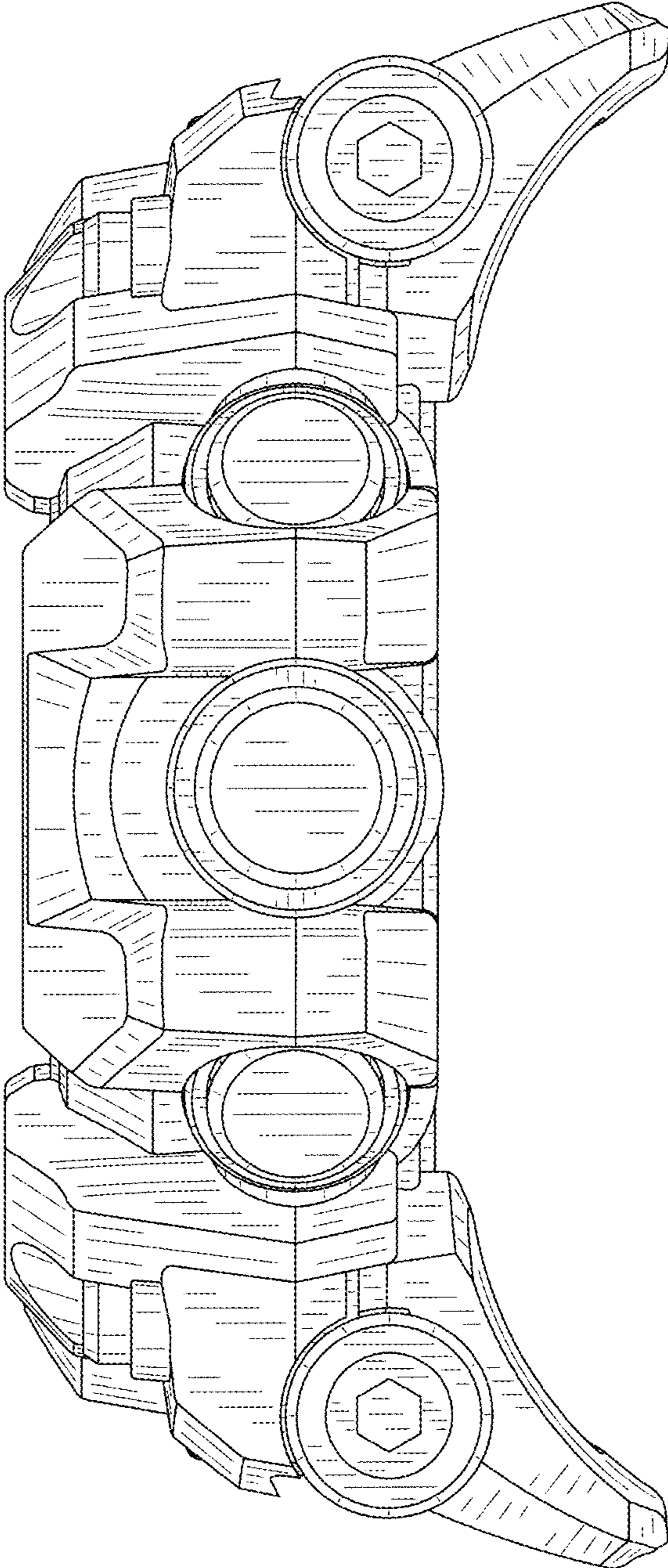


**FIG. 3**

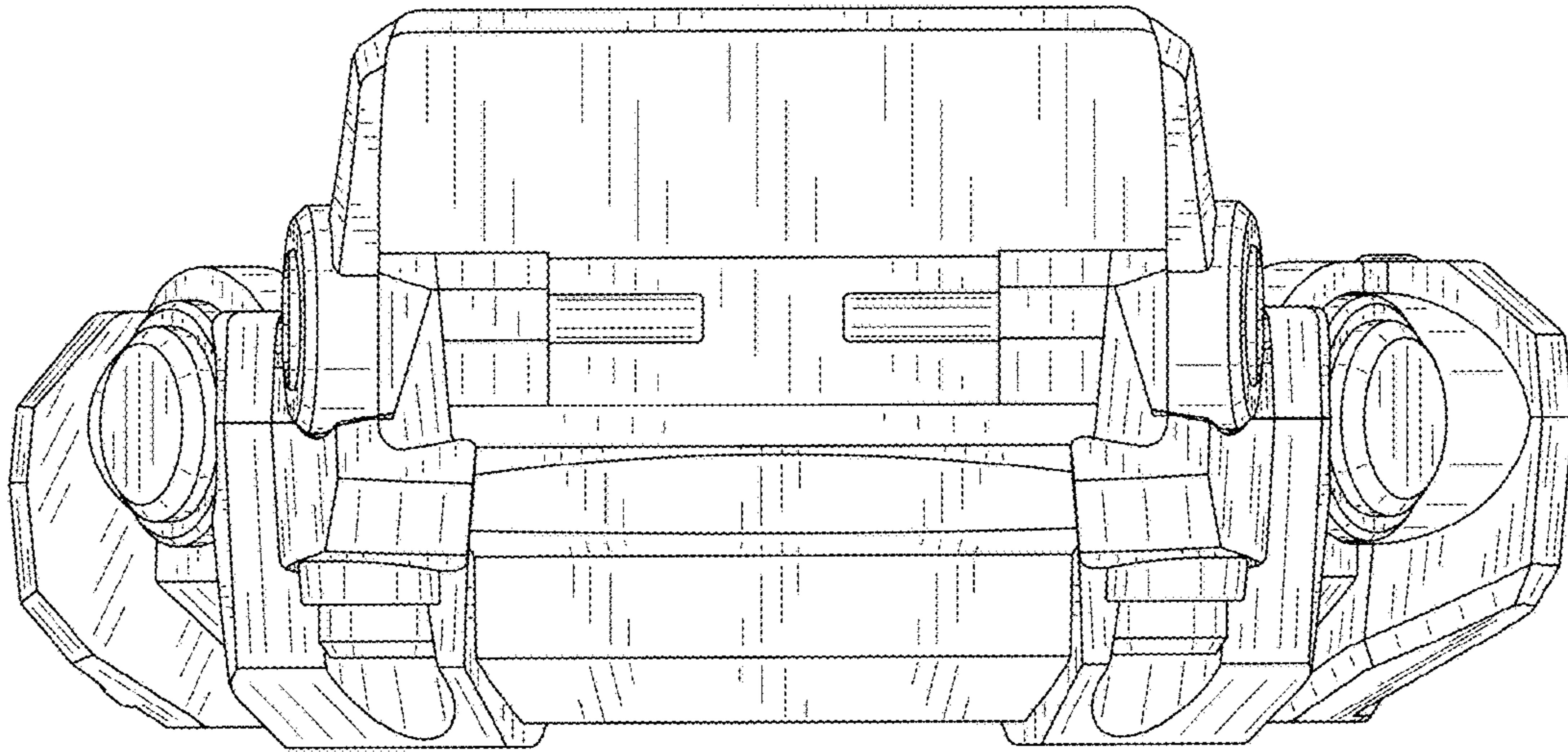




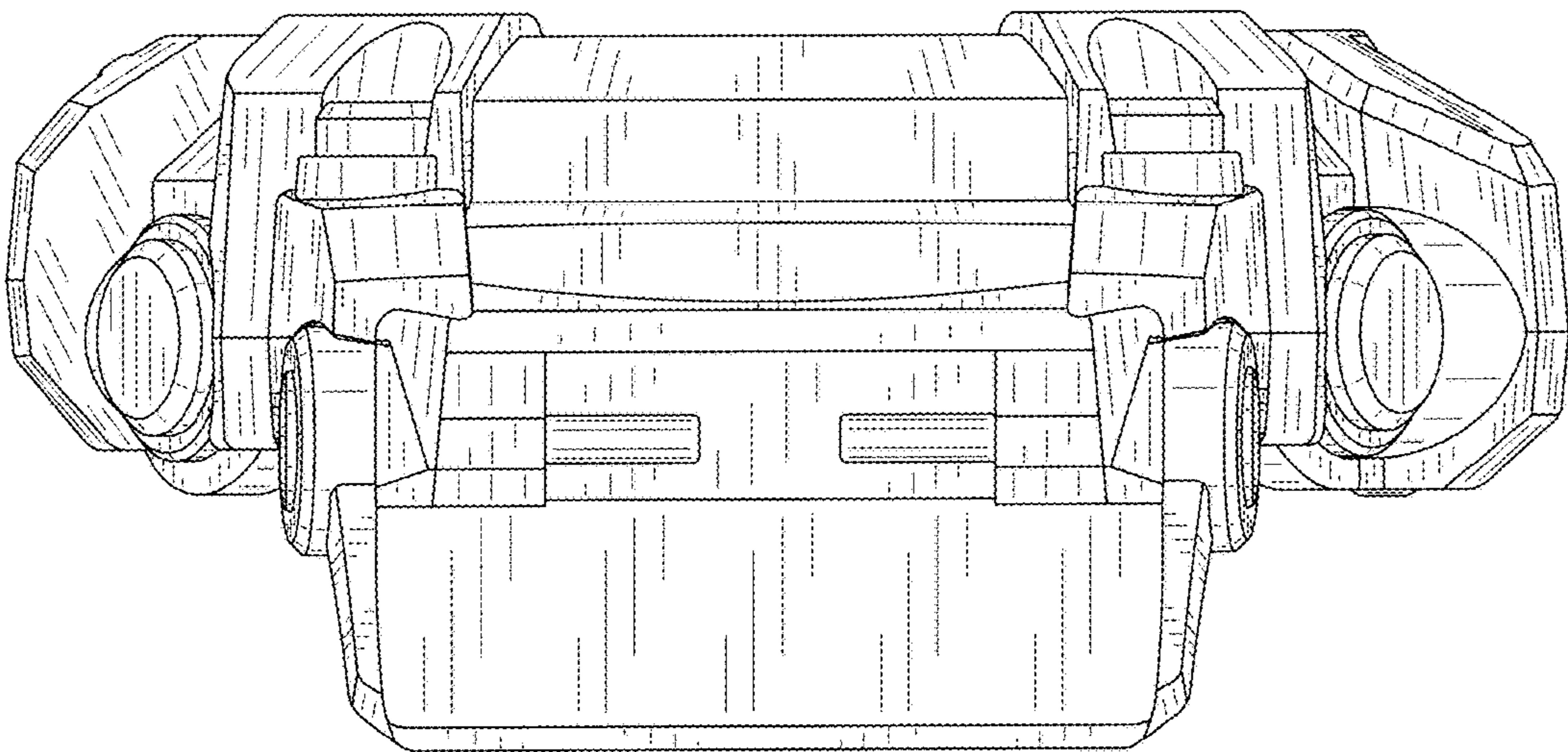
**FIG. 4**



**FIG. 5**



**FIG. 6**



**FIG. 7**



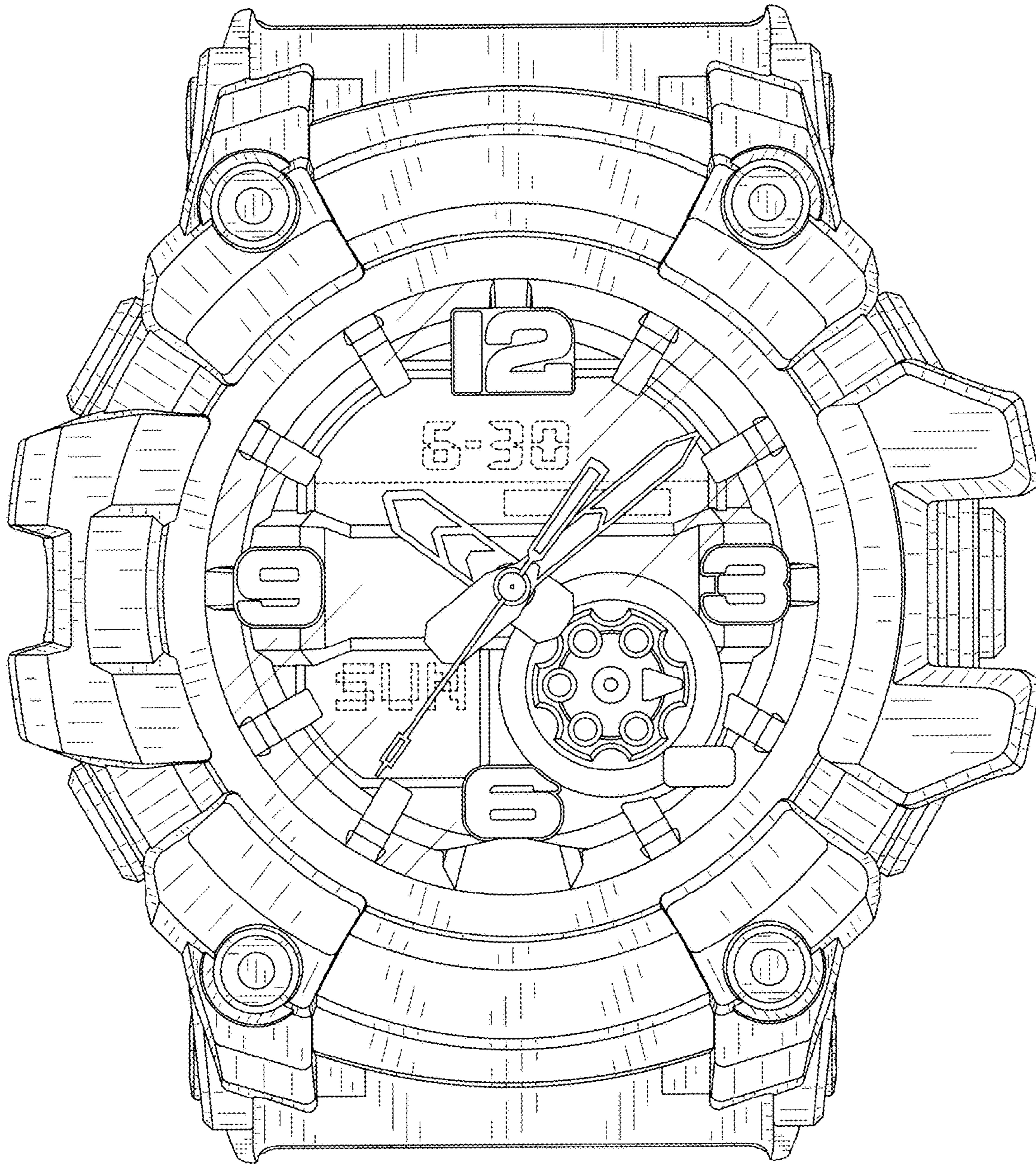


FIG. 8

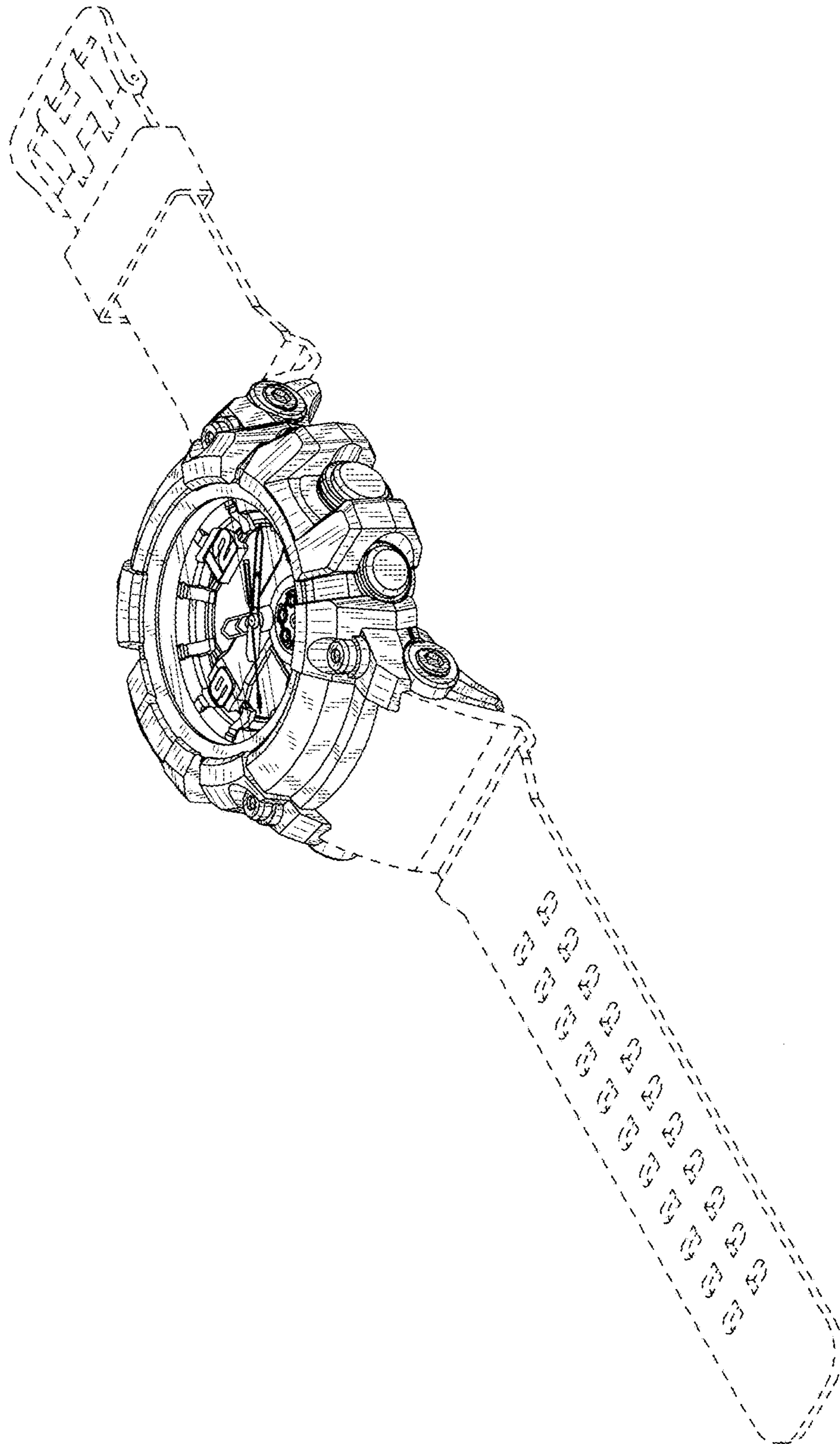


FIG. 9