



US00D776549S

(12) **United States Design Patent**
Nishi

(10) **Patent No.:** **US D776,549 S**

(45) **Date of Patent:** **** Jan. 17, 2017**

(54) **CLOCK**

(71) Applicant: **Rhythm Watch Co., Ltd.**, Saitama (JP)

(72) Inventor: **Kiyokazu Nishi**, Saitama (JP)

(73) Assignee: **RHYTHM WATCH CO., LTD.**,
Saitama (JP)

(**) Term: **14 Years**

(21) Appl. No.: **29/519,283**

(22) Filed: **Mar. 4, 2015**

(30) **Foreign Application Priority Data**

Sep. 16, 2014 (JP) 2014-020459

(51) **LOC (10) Cl.** **10-01**

(52) **U.S. Cl.**
USPC **D10/1**

(58) **Field of Classification Search**
USPC D10/1, 6, 7, 9, 15, 16, 17, 18, 21, 24,
25, D10/27, 34, 39, 106.1, 123, 126, 128,
129

CPC G04G 13/026; G04G 9/04; G04F 10/00;
G04C 17/00; G04B 19/02

See application file for complete search history.

(56) **References Cited**

U.S. PATENT DOCUMENTS

2,235,068 A * 3/1941 Gerritsma G04B 19/02
368/234
4,803,672 A * 2/1989 Zang G04G 9/04
368/228
D319,399 S * 8/1991 Ritchie D10/28
D467,818 S * 12/2002 Chan D10/25
D474,119 S * 5/2003 Mouquet D10/18
D539,176 S * 3/2007 Lillegard D10/39
D542,154 S * 5/2007 Lee D10/24
D558,065 S * 12/2007 Chastaingt D10/32

D558,068 S * 12/2007 Sirmakes D10/39
D627,249 S * 11/2010 Dias D10/125
D627,250 S * 11/2010 Dias D10/125
D630,110 S * 1/2011 Borders D10/2
D635,471 S * 4/2011 Borders D10/2
D636,276 S * 4/2011 Starck D10/24
D646,184 S * 10/2011 Duport D10/39
D667,735 S * 9/2012 Galli D10/39
D693,699 S * 11/2013 Hsu D10/15
D704,076 S * 5/2014 Poandl D10/15
D706,646 S * 6/2014 Nishi D10/1
D707,136 S * 6/2014 Nishi D10/1
D712,284 S * 9/2014 Parmigiani D10/1

(Continued)

OTHER PUBLICATIONS

“Rhythm clocks small world Cosmo 4RH784RH04 clock quartz”
Accessed: Jun. 7, 2016. Rakuten Global Market. <http://global.rakuten.com/en/store/newestshop/item/4rh784rh04/>.*

(Continued)

Primary Examiner — Manpreet Matharu

Assistant Examiner — Suzanne Tisdell

(74) *Attorney, Agent, or Firm* — Kubotera & Associates,
LLC

(57) **CLAIM**

The ornamental design for a clock, as shown and described.

DESCRIPTION

FIG. 1 is a perspective view of a clock showing my new design;

FIG. 2 is a front view thereof;

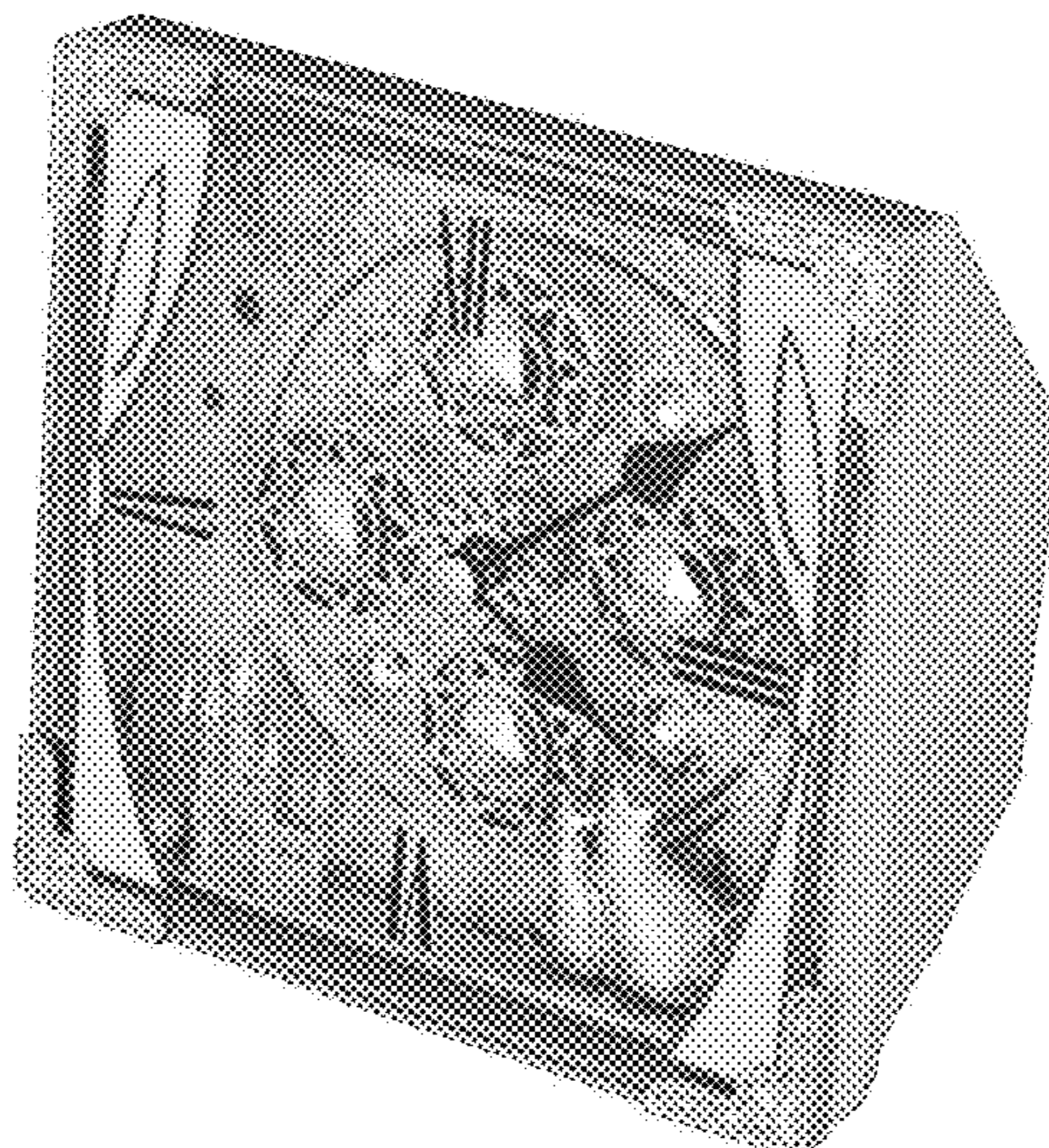
FIG. 3 is a rear view thereof;

FIG. 4 is a right side view thereof, wherein a left side view thereof is symmetrical to the right side view;

FIG. 5 is a plan view thereof; and,

FIG. 6 is a bottom view thereof.

1 Claim, 6 Drawing Sheets



(56)

References Cited

U.S. PATENT DOCUMENTS

D725,492 S * 3/2015 Pennington D10/2
D726,029 S * 4/2015 Belamich D10/124
D736,653 S * 8/2015 Mille D10/39
D748,999 S * 2/2016 Belamich D10/126
D751,925 S * 3/2016 Poandl D10/15
D756,259 S * 5/2016 Nguyen-Tang D10/126

OTHER PUBLICATIONS

“Small World Cosmo” Posted: Jan. 18, 2015. Youtube. <https://www.youtube.com/watch?v=duYKzBoRLTA>.*

* cited by examiner

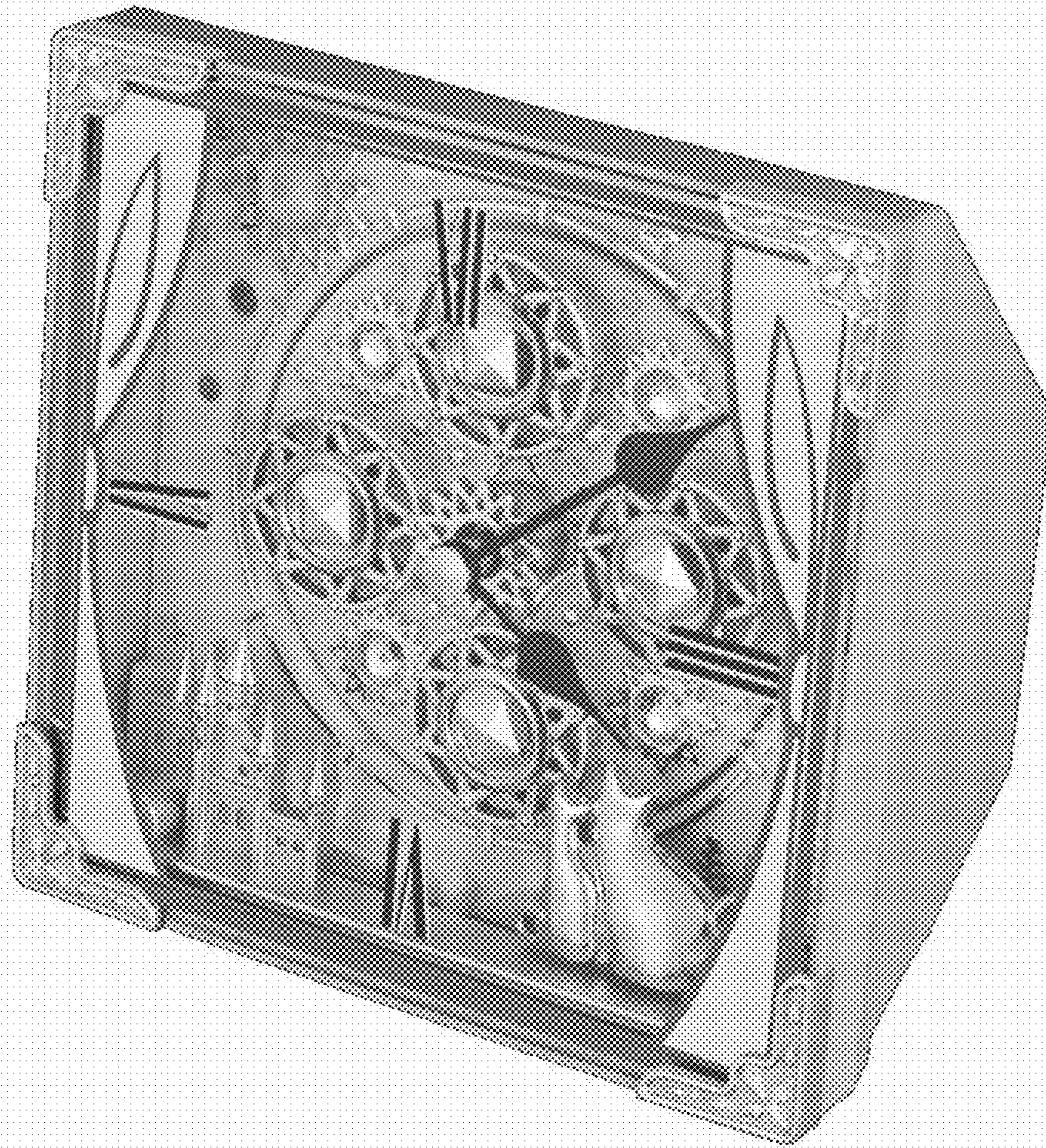


FIG. 1



FIG. 2

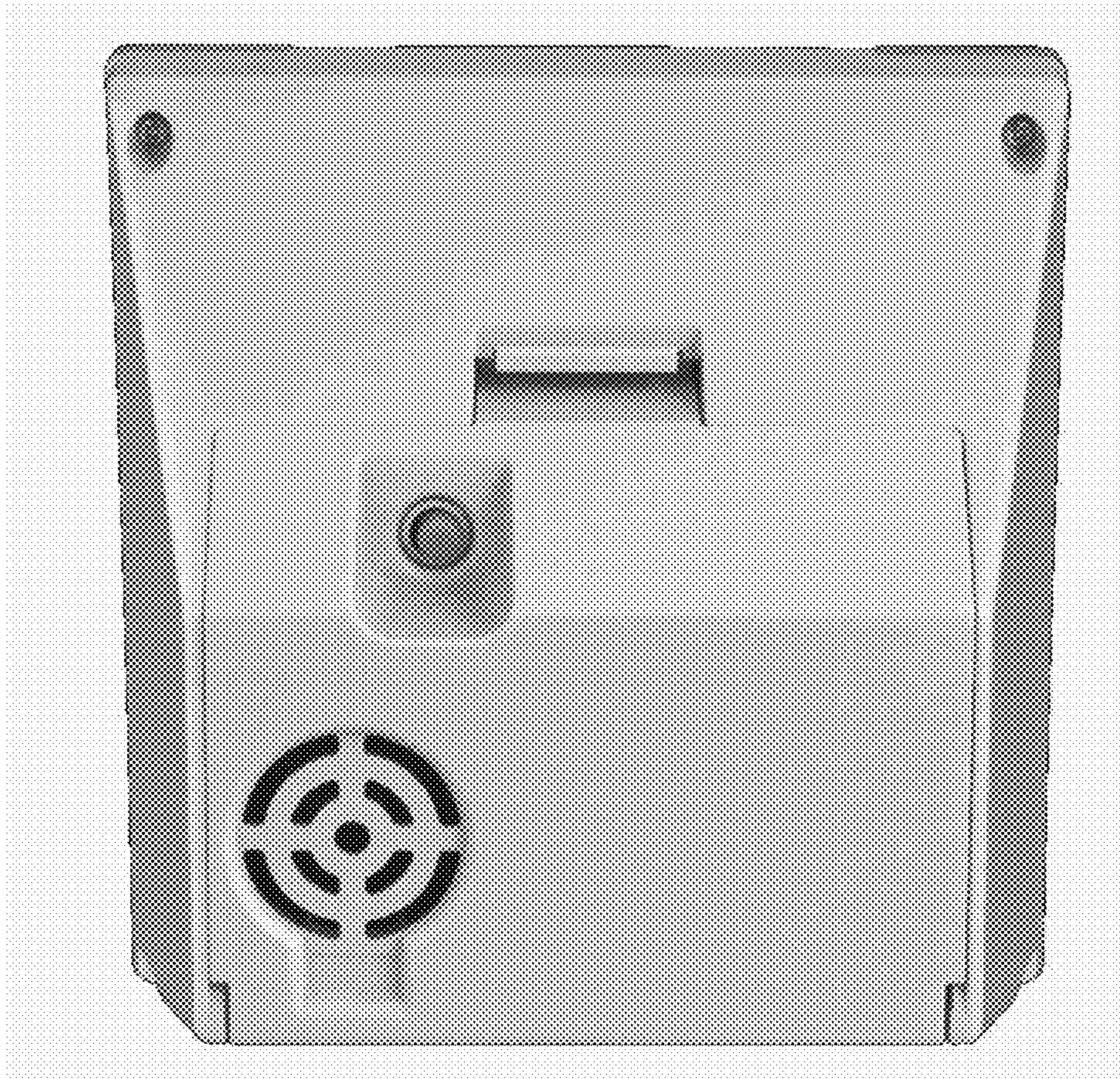


FIG. 3

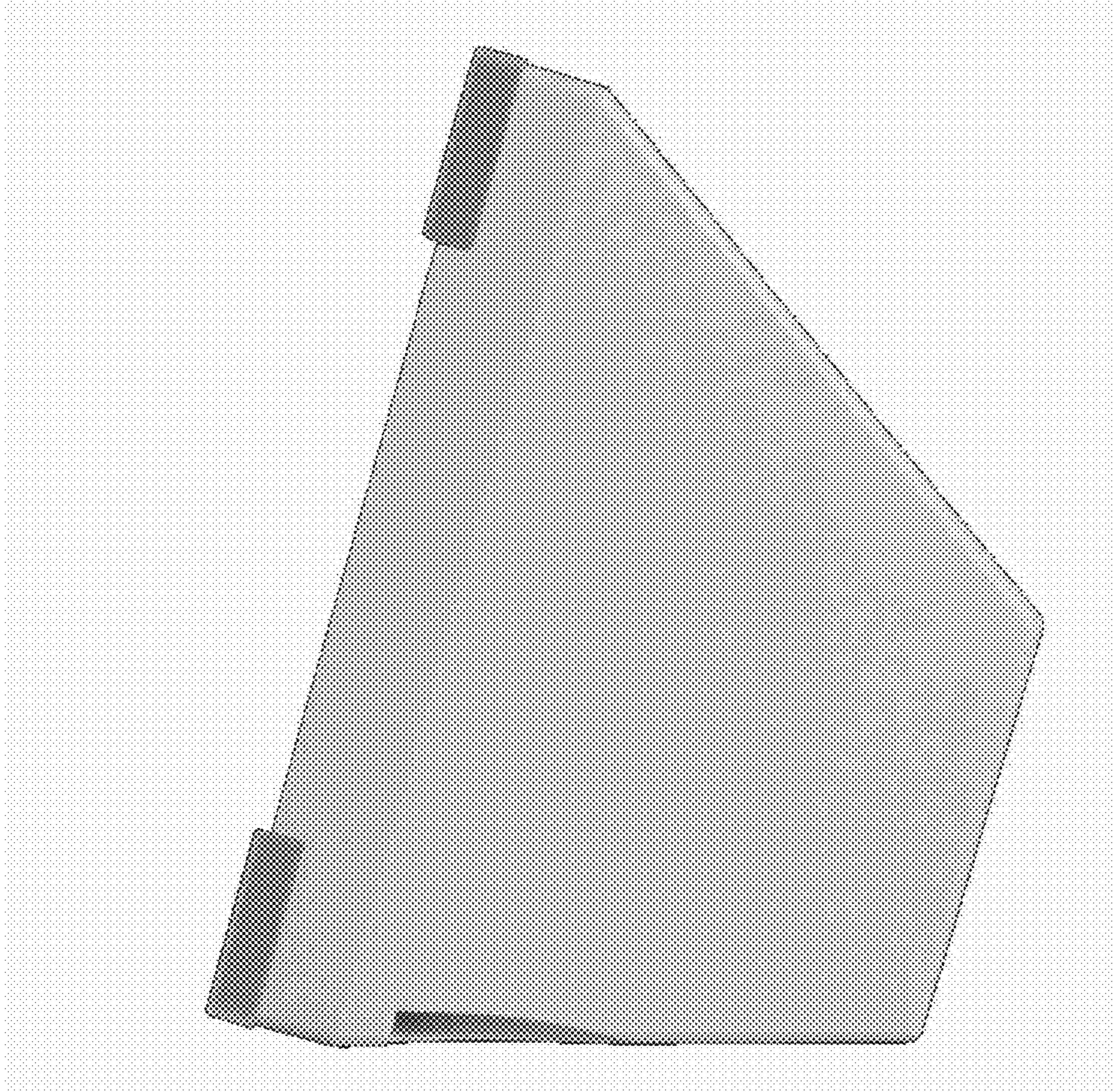


FIG. 4

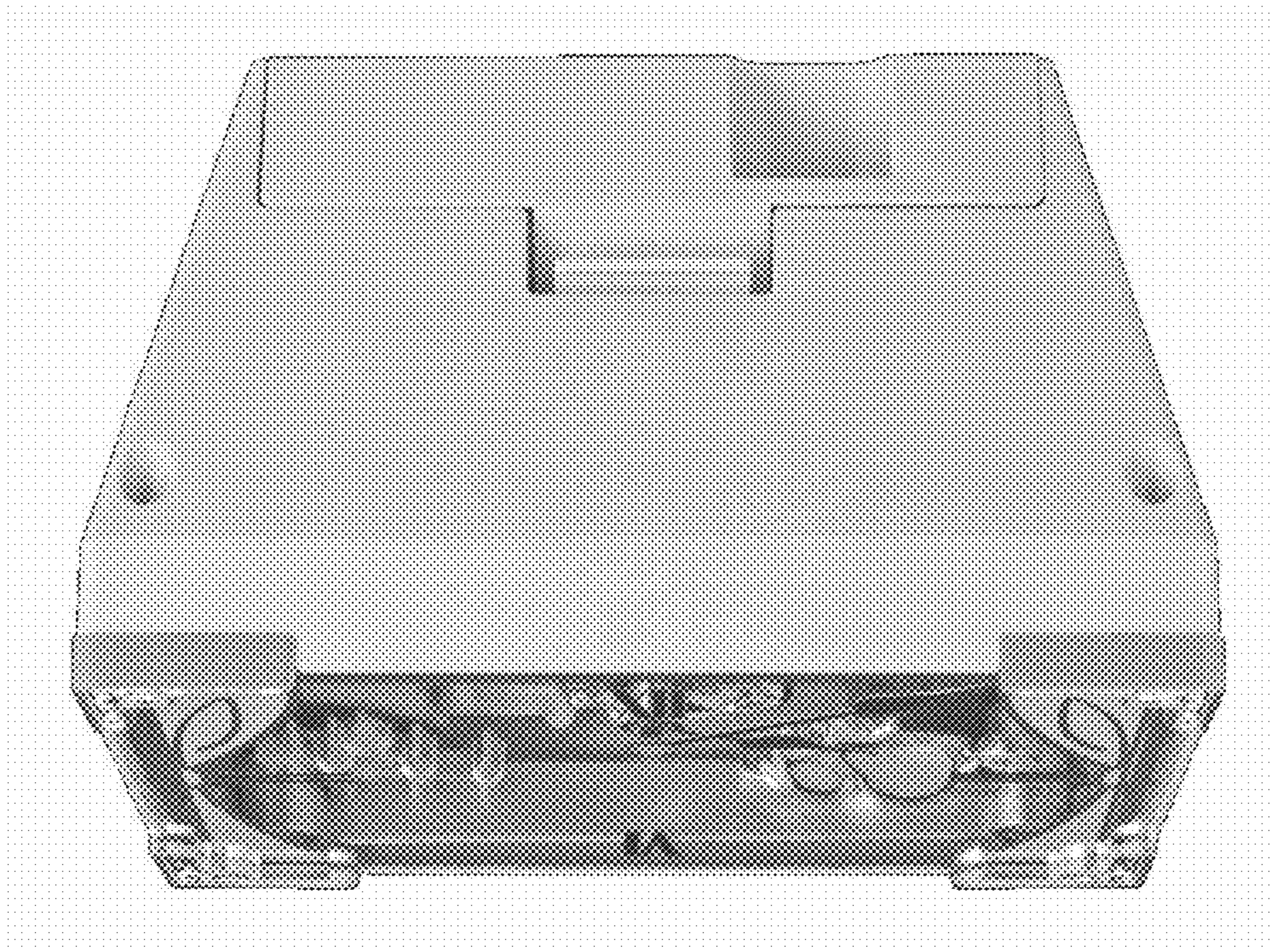


FIG. 5

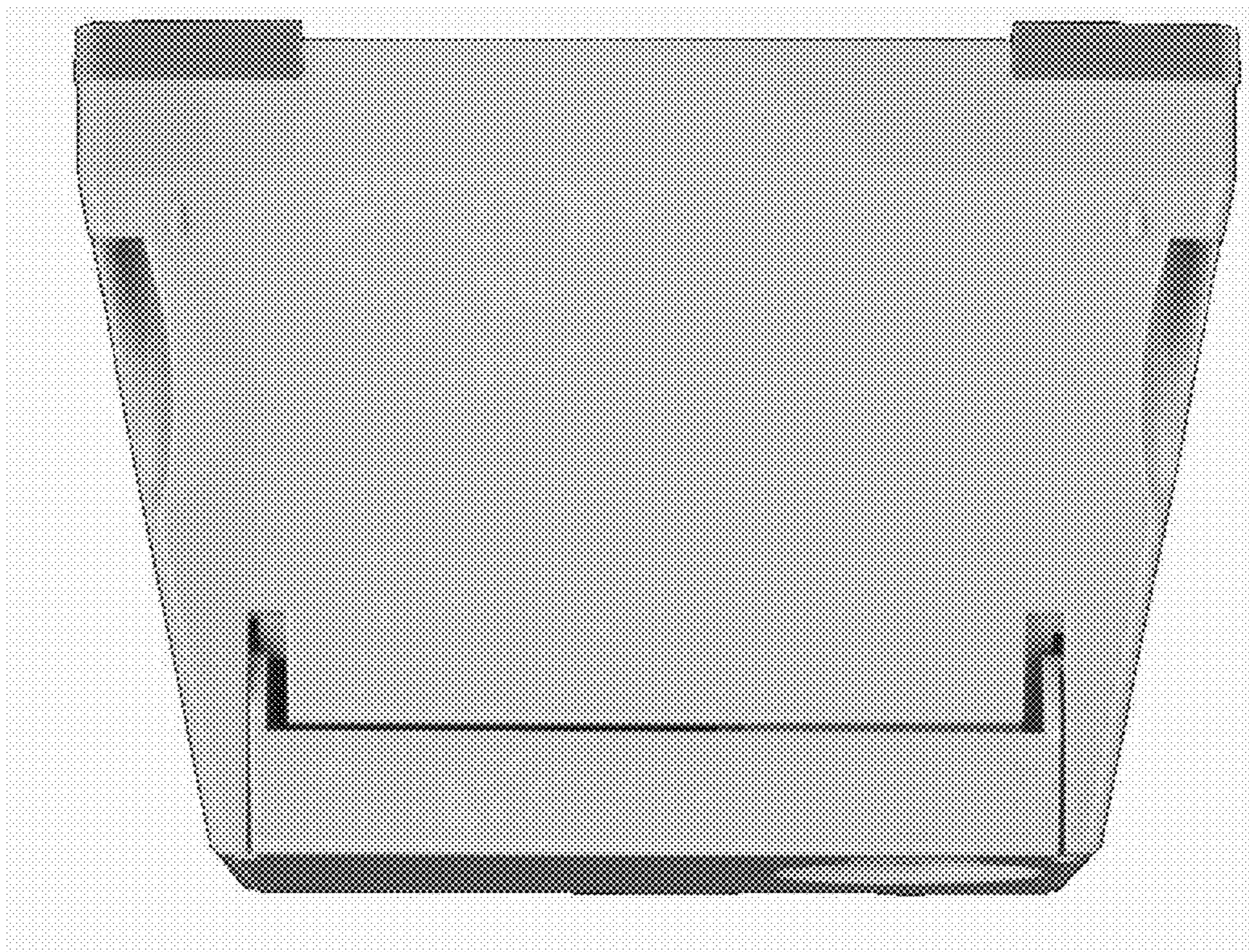


FIG. 6