



US00D776548S

(12) **United States Design Patent**
Bell

(10) **Patent No.:** **US D776,548 S**
(45) **Date of Patent:** **** Jan. 17, 2017**

- (54) **CUP CARRIER**
- (71) Applicant: **Huhtamaki, Inc.**, De Soto, KS (US)
- (72) Inventor: **Phillip M. Bell**, Overland Park, KS (US)
- (73) Assignee: **HUHTAMAKI, INC.**, De Soto, KS (US)
- (**) Term: **14 Years**
- (21) Appl. No.: **29/509,923**
- (22) Filed: **Nov. 21, 2014**
- (51) **LOC (10) Cl.** **09-03**
- (52) **U.S. Cl.**
USPC **D9/753**
- (58) **Field of Classification Search**
USPC D9/756, 433, 753, 737, 739-742,
747,D9/749, 751, 755; D24/230; 206/170,
206/427, 499, 175, 180, 198, 192, 193,
206/194
CPC B65D 2571/0066; B65D 2571/0029;
B65D 71/004; B65D 2571/00339; B65D
2571/00265; B65D 2571/0045; B65D
2571/00154; B65D 2571/00314; B65D
2571/00975; B65D 71/48; B65D
2571/00382; B65D 71/44; Y10S 229/904;
A47G 23/0208; B31B 3/00
See application file for complete search history.

- 4,196,807 A * 4/1980 Brom B65D 71/0007
206/197
- 5,052,552 A * 10/1991 Maroszek B65D 71/004
206/171
- 5,609,379 A * 3/1997 Harrelson B65D 71/44
206/192
- 5,624,024 A * 4/1997 Miess B65D 71/004
206/172
- 5,797,486 A * 8/1998 Picciolo B65D 71/48
206/162
- 5,803,264 A * 9/1998 Gersten B65D 71/004
206/194
- 6,089,638 A * 7/2000 Whitnell B65D 71/0014
206/175

(Continued)

OTHER PUBLICATIONS

Splittable Cup Carrier, available Apr. 6, 2016, [online], [site visited Apr. 29, 2016]. Available from internet, <URL: <http://www.packagingoftheworld.com/2016/04/splittable-cup-carrier.html>>.*

(Continued)

Primary Examiner — Cathron Brooks
Assistant Examiner — Teddy Falloway
(74) *Attorney, Agent, or Firm* — Husch Blackwell LLP

(57) **CLAIM**

The ornamental design for a cup carrier, as shown and described.

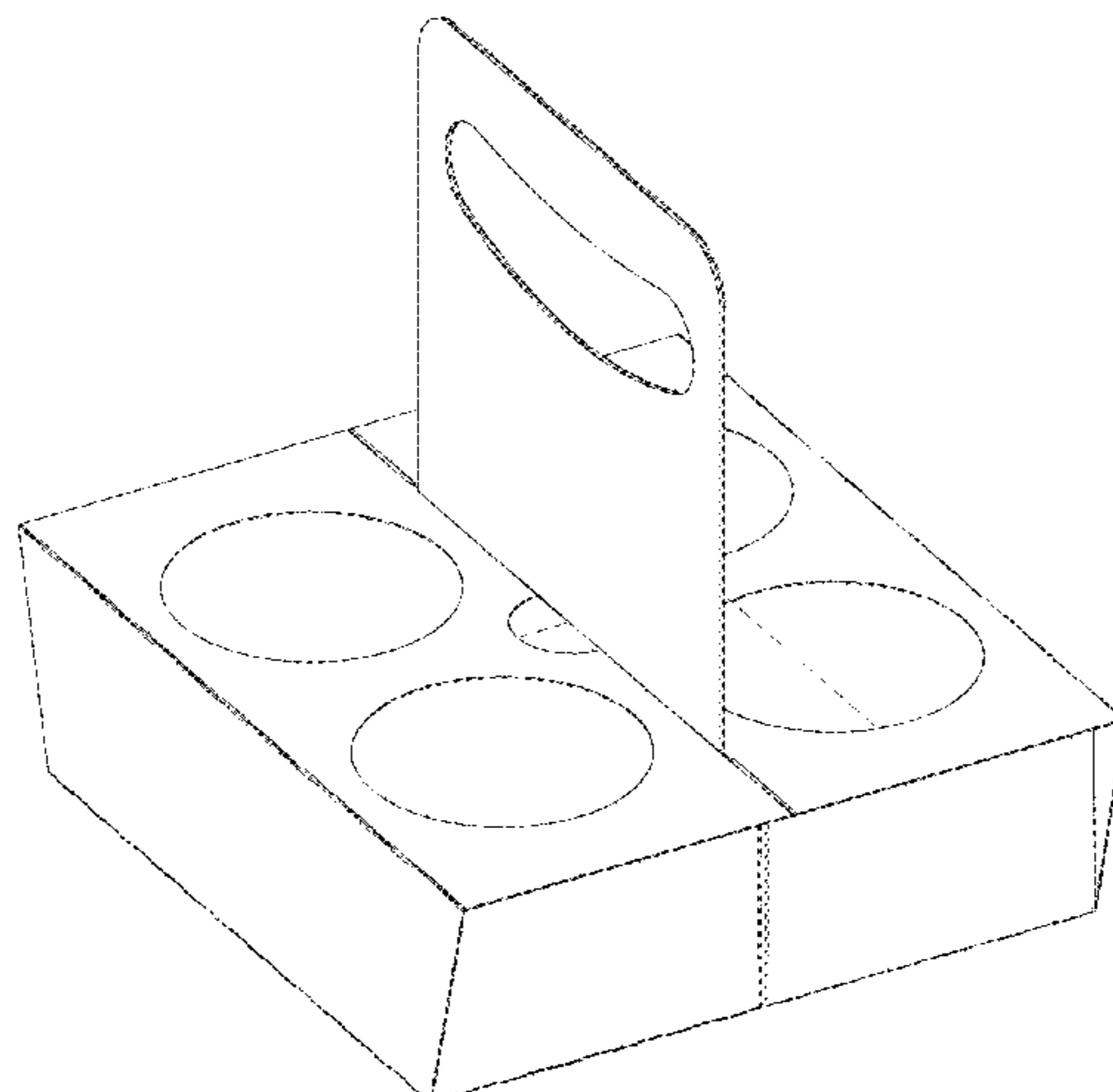
DESCRIPTION

FIG. 1 is a perspective view of a cup carrier embodying my design;
FIG. 2 is a top plan view thereof;
FIG. 3 is a front elevational view thereof;
FIG. 4 is a side elevational view thereof; and,
FIG. 5 is a bottom plan view thereof.
The features shown in broken lines depict environmental subject matter only and form no part of the claimed design.

1 Claim, 5 Drawing Sheets

(56) **References Cited**
U.S. PATENT DOCUMENTS

- D114,889 S * 5/1939 Campbell D9/753
- 2,728,484 A * 12/1955 Farrington B65D 71/004
206/196
- 3,565,323 A * 2/1971 Katzenmeyer B65D 71/004
206/562
- 3,780,906 A * 12/1973 Katzenmeyer B65D 71/004
206/170
- 4,155,502 A * 5/1979 Forte B65D 71/48
206/194



(56)

References Cited

U.S. PATENT DOCUMENTS

D477,530 S * 7/2003 von Braun D9/715
 D515,941 S * 2/2006 Hamblin D24/230
 D567,079 S * 4/2008 Fant D9/753
 D567,670 S * 4/2008 Say Ulin D9/753
 D567,671 S * 4/2008 Say Ulin D9/753
 7,438,181 B2 * 10/2008 Cuomo B65D 71/0014
 206/162
 7,475,772 B2 * 1/2009 Cuomo B65D 5/427
 206/162
 7,850,004 B2 * 12/2010 Picciolo B65D 71/004
 206/162
 8,091,702 B1 * 1/2012 Keip A47G 23/0208
 206/171
 D655,207 S * 3/2012 D'Agostino D9/753
 8,365,917 B2 * 2/2013 Olesen B65D 71/004
 206/167
 D748,479 S * 2/2016 Barkerding D9/455
 2004/0188278 A1 * 9/2004 Krisko B65D 71/0022
 206/162
 2005/0109639 A1 * 5/2005 Cuomo B65D 71/0014
 206/139
 2006/0180482 A1 * 8/2006 Cuomo B65D 5/427
 206/139

2010/0059392 A1 * 3/2010 Weinberger B65D 71/30
 206/151
 2013/0277241 A1 * 10/2013 Holsmer B65D 71/40
 206/193
 2014/0008250 A1 * 1/2014 Picciolo B65D 71/004
 206/141
 2014/0209496 A1 * 7/2014 Flynn B65C 3/08
 206/459.5
 2015/0183562 A1 * 7/2015 Barkerding B31B 3/00
 206/141

OTHER PUBLICATIONS

4 Cup Drink Carrier, available May 11, 2012, [online], [site visited Apr. 29, 2016]. Available from internet, <URL: <http://www.webstaurantstore.com/lbp-29505-4-cup-tall-drink-carrier-200-case/48529505%20%20%20%20%20KRAFT.html>.*

Sixfold Café Carrier (via listhunt), available Oct. 15, 2015, [online], [site visited Apr. 29, 2016]. Available from internet, <URL: <http://www.listhunt.co/2015/10/15/carry-your-coffee-in-style-with-six-fold-cafe-carrier-made-from-american-walnet/>.*

Southern Champion Tray (via Amazon), available Jan. 19, 2013, [online], [site visited Apr. 29, 2016]. Available from internet, <URL: <http://www.amazon.com/Southern-Champion-Tray-0115-Paper-board/dp/B008WCHKNS>.*

* cited by examiner

FIG. 1

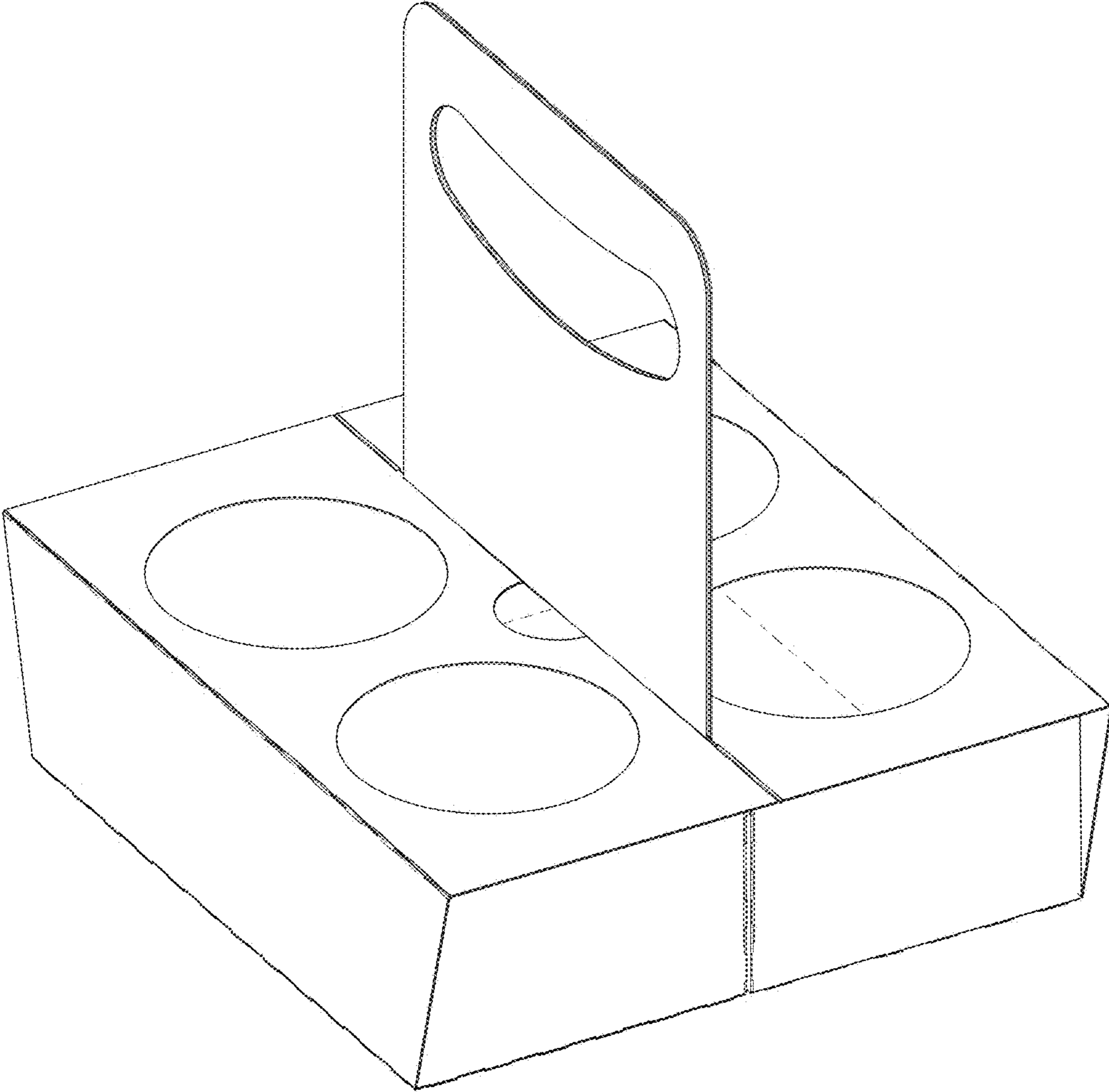


FIG. 2

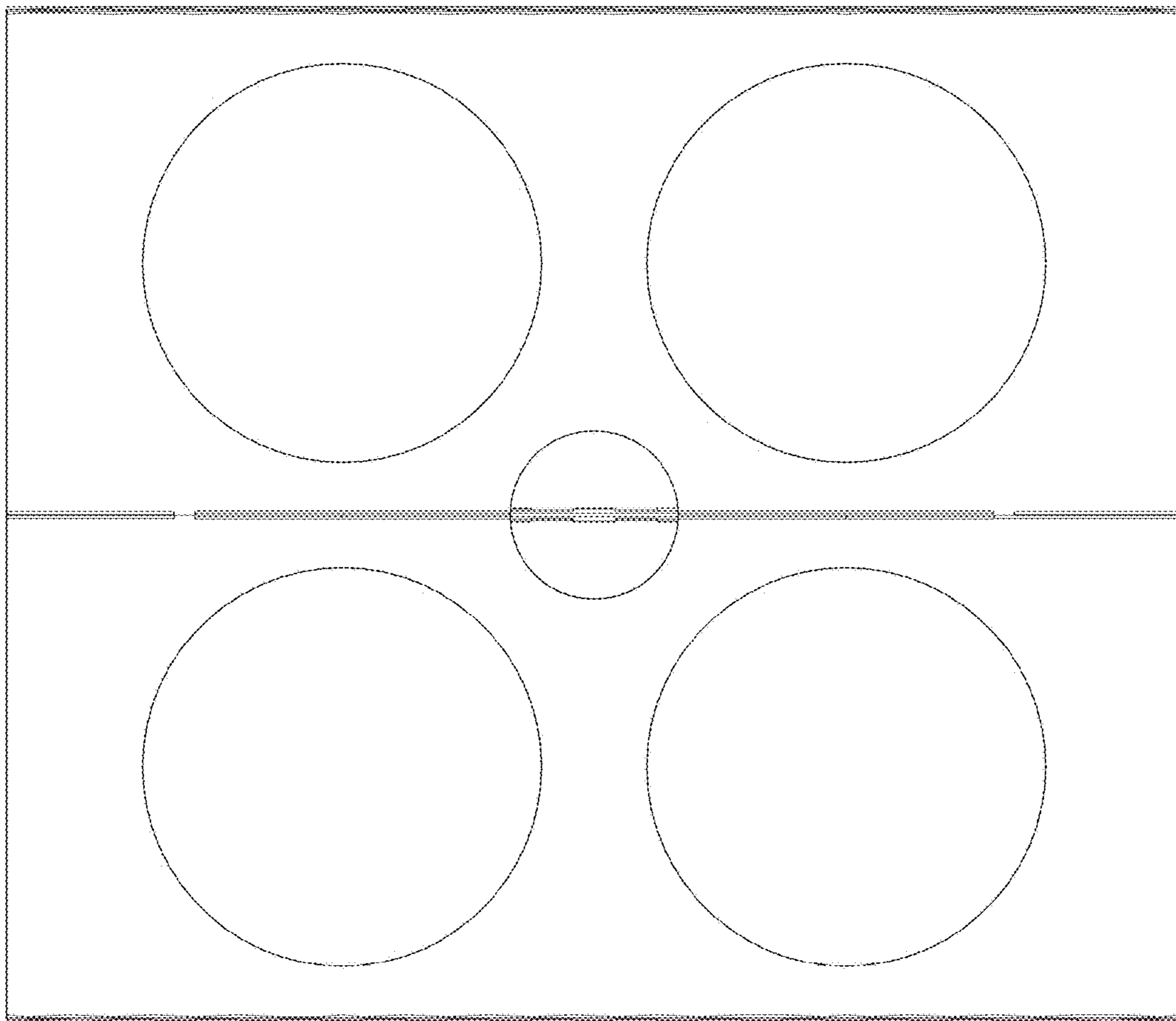


FIG. 3

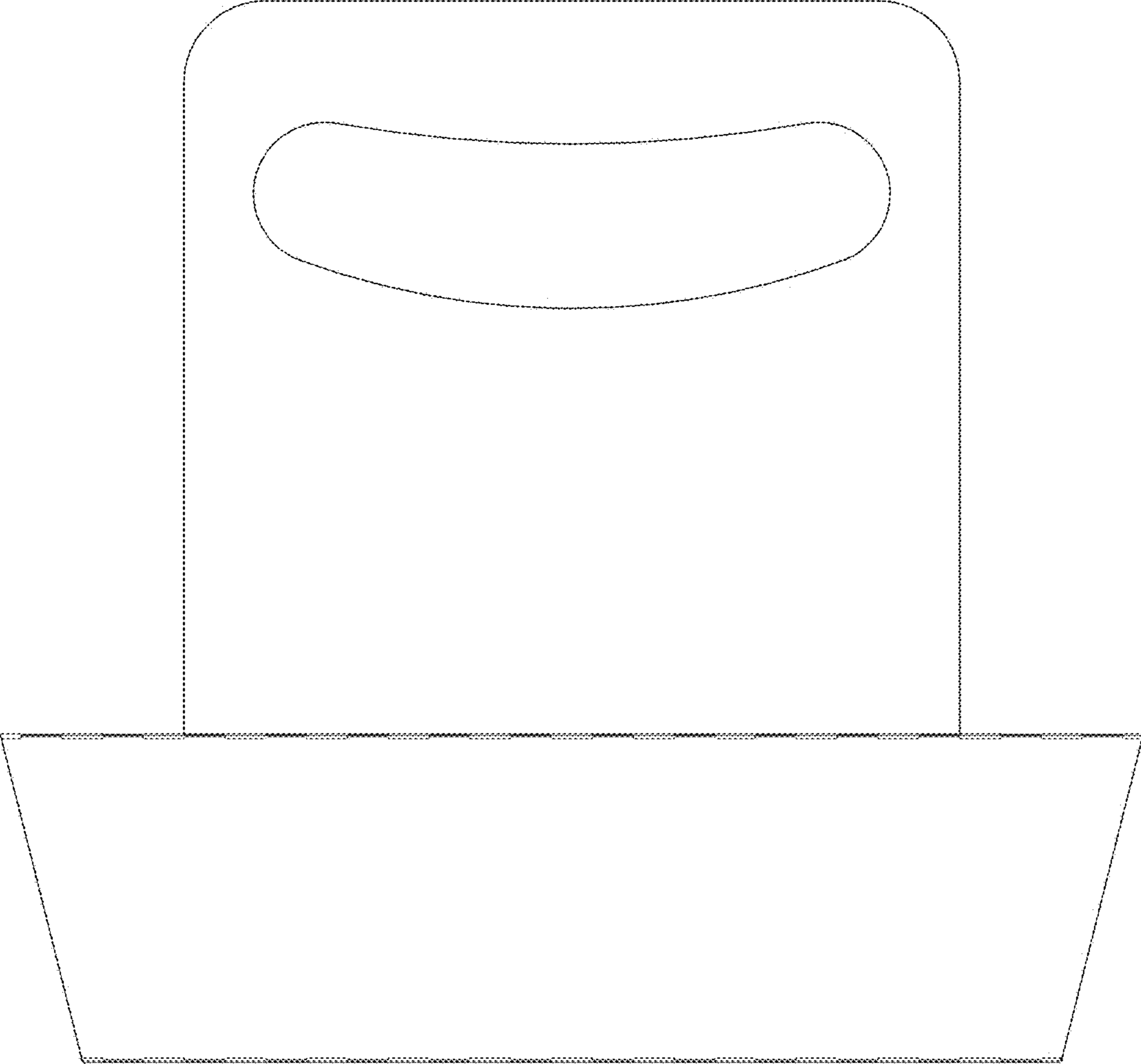


FIG. 4

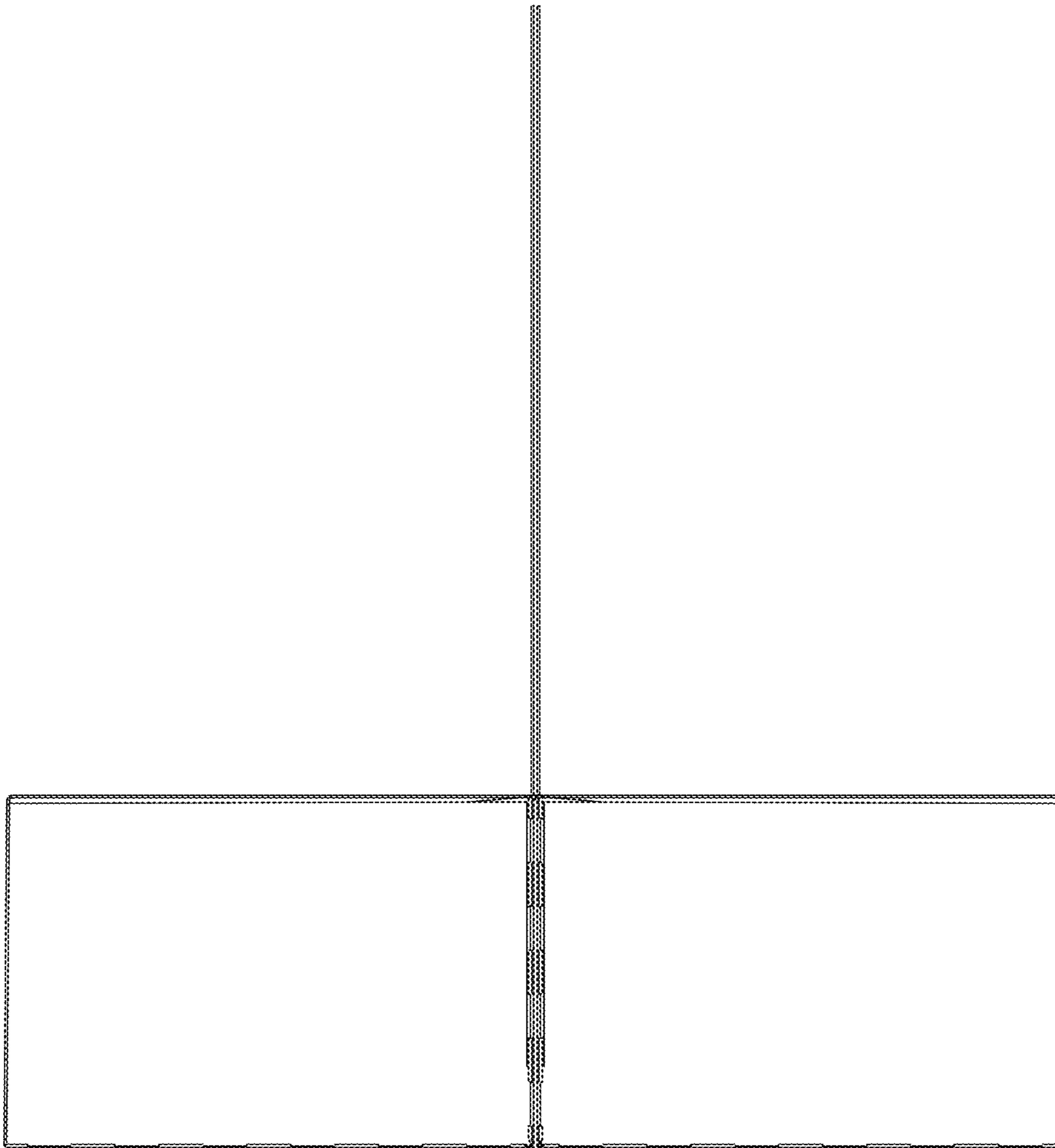


FIG. 5

