



US00D776544S

(12) **United States Design Patent** (10) **Patent No.:** **US D776,544 S**
Staab (45) **Date of Patent:** **** Jan. 17, 2017**

(54) **COSMETIC BOTTLE**
(71) Applicant: **Mary Kay Inc.**, Addison, TX (US)
(72) Inventor: **Jenny DeMarco Staab**, Frisco, TX (US)
(73) Assignee: **Mary Kay Inc.**, Addison, TX (US)
(**) Term: **15 Years**
(21) Appl. No.: **29/537,488**

D381,275 S 7/1997 Lecoule D9/572
D392,897 S 3/1998 Biesecker et al. D9/571
D395,605 S 6/1998 Kokenge D9/571
D396,186 S 7/1998 Fiore D9/687
D420,596 S 2/2000 Maddy D9/560
D424,379 S 5/2000 Kim D7/612
D425,798 S 5/2000 Gavin D9/574
D426,161 S 6/2000 Hestehave et al. D9/520
D428,577 S 7/2000 Shanahan D9/544
D432,427 S 10/2000 Shanahan D9/544
D449,538 S 10/2001 Burleson et al. D9/530
D451,812 S 12/2001 Colonna de Giovellina . D9/560
D454,502 S 3/2002 Legros D9/544

(Continued)

(22) Filed: **Aug. 26, 2015**
(51) **LOC (10) Cl.** **09-01**
(52) **U.S. Cl.**
USPC **D9/560; D9/574; D9/520**
(58) **Field of Classification Search**
USPC D9/434-436, 453, 454, 516, 560,
567, D9/570, 572, 573, 574, 715, 682,
686, 687, D9/694, 719, 721; D28/73,
76-77, 91; D3/901
CPC . B65D 39/0047; B65D 41/0471; B65D 11/16;
B65D 51/245; B65D 83/205; B65D
83/303
See application file for complete search history.

FOREIGN PATENT DOCUMENTS

BR DI 5601655-7 7/1996
BR D 057827-001 (WO) 12/2001

(Continued)

Primary Examiner — Ian Simmons
Assistant Examiner — Keith Frank
(74) *Attorney, Agent, or Firm* — Norton Rose Fulbright
US LLP

(57) **CLAIM**

The ornamental design for a cosmetic bottle, as shown and described.

(56) **References Cited**

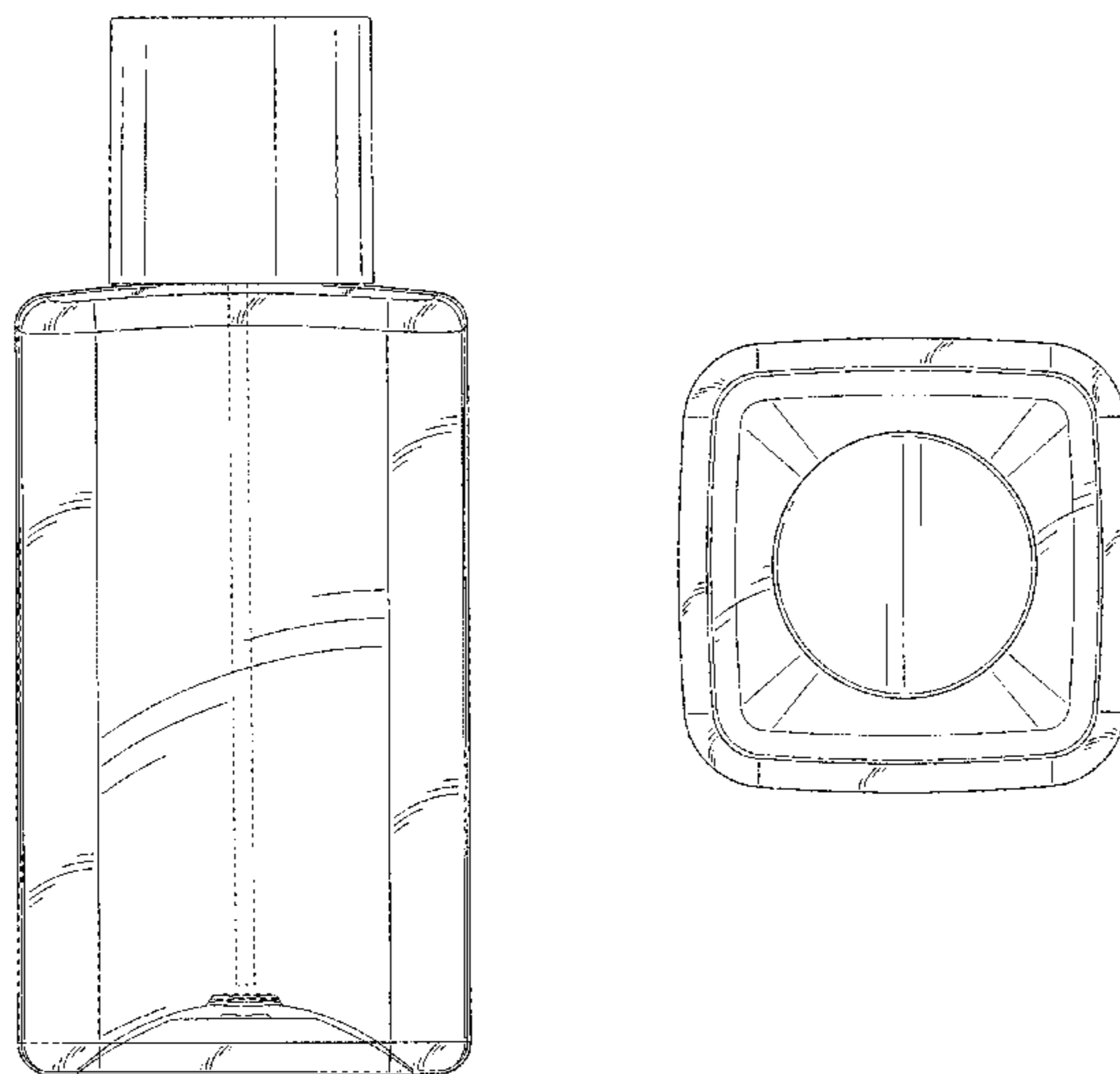
U.S. PATENT DOCUMENTS

D213,824 S 4/1969 Luedtke D9/560
D258,571 S 3/1981 Hirtle D9/560
D260,367 S 8/1981 Grip D9/571
D266,741 S 11/1982 Cox D9/560
D267,076 S 11/1982 Hurtig D9/520
D268,647 S 4/1983 Kingsford D9/570
D271,565 S 11/1983 Slater D9/520
D282,910 S 3/1986 Biesecker D9/560
D287,340 S 12/1986 Dinand D9/560
D301,838 S 6/1989 Miyakawa D9/560
D357,179 S 4/1995 Nedstedt D9/417
D361,938 S 9/1995 Sawa et al. D9/563
D372,675 S 8/1996 Pollard et al. D9/542

DESCRIPTION

FIG. 1 is a top perspective view of a cosmetic bottle showing my new design;
FIG. 2 is a front elevation view thereof;
FIG. 3 is a rear elevation view thereof;
FIG. 4 is a right side elevation view thereof;
FIG. 5 is a left side elevation view thereof;
FIG. 6 is a top plan view thereof; and,
FIG. 7 is a bottom plan view thereof.
The broken lines in the drawings illustrate the portions of the cosmetic bottle that form no part of the claimed design.

1 Claim, 6 Drawing Sheets



(56)

References Cited

U.S. PATENT DOCUMENTS

D456,271 S 4/2002 Maloney D9/560
 D457,437 S 5/2002 Sadeghi et al. D9/530
 D458,849 S 6/2002 Burleson et al. D9/560
 D471,108 S 3/2003 Calderone D9/520
 D480,299 S 10/2003 Sgariboldi D9/694
 D481,957 S 11/2003 Modjeski D9/560
 D486,062 S 2/2004 Huang D9/694
 D491,070 S 6/2004 Boldrini et al. D9/560
 D494,476 S 8/2004 Cwynar-Laska et al. D9/560
 D494,869 S 8/2004 McNiel D9/560
 D496,867 S 10/2004 Kuzma et al. D9/563
 D500,681 S 1/2005 Uchiyama D9/560
 D515,940 S 2/2006 Kratko D9/745
 D522,872 S 6/2006 Lascaux D9/544
 D526,206 S 8/2006 Varlet D9/560
 D527,646 S 9/2006 Cornet et al. D9/560
 D527,647 S 9/2006 Blank D9/563
 D528,909 S 9/2006 Stillerud D9/560
 D531,913 S 11/2006 Heisner et al. D9/560
 D532,699 S * 11/2006 Mouquet D9/448
 D535,566 S 1/2007 Lin D9/560
 D537,492 S 2/2007 Paolucci et al. D21/707
 D548,101 S 8/2007 Elgebrant D9/560
 D548,102 S 8/2007 Waldner D9/560
 D548,103 S 8/2007 Waldner D9/560
 D548,607 S 8/2007 Langbein et al. D9/560
 D555,002 S 11/2007 Lloyd et al. D9/544
 D577,599 S 9/2008 Moretti D9/560
 D579,785 S 11/2008 Rica D9/574
 D580,773 S 11/2008 Rica D9/574
 D580,778 S * 11/2008 Konckier D9/694
 D581,800 S 12/2008 Rica D9/544
 D584,953 S 1/2009 Rica D9/544
 D590,718 S 4/2009 Rica D9/546
 D590,721 S 4/2009 Martinez De San
 Vicente D9/571
 D595,141 S 6/2009 Rica D9/544
 D596,491 S 7/2009 Rica D9/546
 D596,949 S 7/2009 Flude D9/560
 D598,291 S 8/2009 Serrano Diaz D9/542
 D601,428 S 10/2009 Rica D9/544
 D602,785 S * 10/2009 Rothberg D9/547
 D603,716 S * 11/2009 Rica D9/560
 D604,174 S * 11/2009 Rica D9/560
 D604,175 S * 11/2009 Rica D9/560
 D605,055 S 12/2009 Serrano Diaz D9/560
 D606,414 S 12/2009 Rica D9/544
 D612,739 S 3/2010 Delbon D9/544
 D613,177 S * 4/2010 Lee D9/520
 D622,601 S 8/2010 Potts D9/544
 D622,602 S 8/2010 Potts D9/544
 D622,608 S 8/2010 Sansevero D9/616
 D626,423 S 11/2010 Lauret D9/574
 D629,698 S 12/2010 Kim et al. D9/574
 D629,699 S 12/2010 Kim et al. D9/574
 D630,100 S 1/2011 Wanet D9/544
 D630,518 S 1/2011 Biesecker et al. D9/558
 D635,031 S 3/2011 Themann D9/544
 D641,638 S 7/2011 Stengel D9/560
 D642,478 S 8/2011 Ehrmann D9/573
 D643,295 S 8/2011 Sadler et al. D9/522
 D646,178 S 10/2011 Barber et al. D9/655
 D647,803 S 11/2011 Regas D9/516
 D652,310 S 1/2012 Hartford D9/544
 D652,735 S 1/2012 Chen D9/542
 D653,119 S 1/2012 Hunter et al. D9/560
 D655,176 S 3/2012 Kraft et al. D9/541
 D655,179 S 3/2012 Kraft et al. D9/560
 D655,180 S 3/2012 Kraft et al. D9/560
 D655,181 S 3/2012 Kraft et al. D9/560
 D655,182 S 3/2012 Kraft et al. D9/560
 D655,612 S 3/2012 Oge-Nichols D9/559
 D656,405 S 3/2012 Byron D9/560
 D656,827 S 4/2012 Mandell et al. D9/516
 D672,250 S 12/2012 Austin et al. D9/560

D673,859 S 1/2013 Austin et al. D9/560
 D675,101 S 1/2013 Wilson et al. D9/559
 D676,331 S 2/2013 Hartford D9/544
 D678,074 S 3/2013 De France D9/560
 D678,776 S 3/2013 Lecetre et al. D9/573
 D680,004 S 4/2013 Lecetre et al. D9/573
 D680,872 S 4/2013 Uribe et al. D9/565
 D682,704 S 5/2013 Reynolds D9/559
 D682,705 S 5/2013 Reynolds D9/559
 D682,706 S 5/2013 Weil D9/560
 D686,081 S 7/2013 Colangelo D9/560
 D687,311 S 8/2013 Austin et al. D9/560
 D691,484 S 10/2013 Fitzgerald D9/560
 D694,120 S * 11/2013 Baussan D9/560
 D697,416 S 1/2014 Thompson D9/544
 D701,769 S 4/2014 Eble D9/560
 D705,074 S 5/2014 Della Valle D9/560
 D705,663 S 5/2014 Guichot D9/544
 D712,746 S 9/2014 Widdison D9/529
 D714,156 S 9/2014 Lauret D9/560
 D714,157 S * 9/2014 Albertini D9/560
 D717,176 S 11/2014 Gomez D9/560
 D717,658 S * 11/2014 Fadelli D9/520
 D722,804 S * 2/2015 Kay D7/300.1
 D724,438 S 3/2015 Gaydon D9/573
 D724,952 S 3/2015 Humm D9/544
 D727,162 S 4/2015 Gaydon D9/573
 D730,191 S 5/2015 Hardy D9/529
 D731,893 S 6/2015 Chung D9/529
 D741,720 S * 10/2015 Anandani D9/560
 D741,723 S * 10/2015 Staab D9/687

FOREIGN PATENT DOCUMENTS

BR DI 6503485-6 12/2005
 BR DI 6504741-9 5/2006
 BR DI 6602325-4 11/2006
 BR DI 6604003-5 1/2007
 BR D 068729-001 (WO) 4/2007
 BR DI 6700862-3 9/2007
 BR DI 6700954-9 10/2007
 BR D 069400-007 (WO) 11/2007
 BR DI 6803086-0 3/2009
 BR DI 6901075-7 4/2010
 BR DI 6901076-5 6/2010
 BR DI 7001107-9 10/2010
 BR DI 7001347-0 11/2010
 CH 141387-0001 4/2015
 CH 141387-0002 4/2015
 CH 141387-0003 4/2015
 CH 141387-0004 4/2015
 CN 3014559 7/1992
 CN 3016711 1/1993
 CN 3017842 4/1993
 CN 3254177 9/2002
 CN 3316443 8/2003
 CN 3361274 4/2004
 CN 3408052 12/2004
 CN 3416610 1/2005
 CN 3422647 2/2005
 CN 3477635 9/2005
 CN 3482666 10/2005
 CN 3514650 3/2006
 CN 3526197 5/2006
 CN 3561987 9/2006
 CN 3592500 12/2006
 CN 3642228 5/2007
 CN 3656570 6/2007
 CN 3675273 8/2007
 CN 300695486 10/2007
 CN 300707843 11/2007
 CN 300714846 12/2007
 CN 300743952 2/2008
 CN 300756173 3/2008
 CN 300812177 8/2008
 DE D023692-003 (WO) 10/1992
 DE D023692-004 (WO) 10/1992
 DE D063750-012 (WO) 6/2003
 DE EM 0160718-0001 6/2004

(56)

References Cited

FOREIGN PATENT DOCUMENTS

DE	EM 0376611-0001	9/2005
DE	EM 0503925-0001	5/2006
DE	EM 0826748-0001	11/2007
DE	EM 1028625-0004	11/2008
DE	EM 1028625-0005	11/2008
DE	EM 1028625-0006	11/2008
DE	EM 1028625-0007	11/2008
DE	EM 1565953-0004	8/2009
DE	EM 1654195-0001	1/2010
DE	EM 1260129-0001	2/2011
DE	EM 1260129-0002	2/2011
DE	EM 1945148-0001	11/2011
DE	EM 2030858-0004	5/2012
DE	EM 2095273-0001	9/2012
DE	EM 1697855-0001	10/2012
DE	EM 1756925-0001	1/2013
DE	EM 2215541-0001	4/2013
DE	402012004085-0001	7/2013
DE	EM 2434597-0001	3/2014
DE	EM 2217125-0001	5/2015
EP	IR 68362-0002	1/2007
EP	IR 68362-0003	1/2007
EP	IR 68362-0009	1/2007
EP	IR 68369-0001	1/2007
EP	IR 69400-0001	12/2007
EP	IR 70899-0004	1/2009
EP	IR 70899-0006	1/2009
EP	IR 80697-0003	10/2013
EP	IR 82079-0001	11/2013
EP	IR 82492-0001	1/2014
FR	877258-005	6/1988
FR	906219-001	2/1991
FR	045908-001	5/2005
FR	D069400-001 (WO)	11/2007
GB	2023429	10/1992
GB	2029398	6/1993

GB	2043270	3/1995
GB	2064631	9/1997
GB	2080466	4/1999
GB	2094924-0001	10/2000
GB	2094925-0001	10/2000
GB	2087020	12/2000
GB	2097918	12/2000
JP	D1078393	7/2000
JP	D1115831	7/2001
JP	D1316727	12/2007
JP	D1339440	9/2008
MX	12276	3/2001
MX	16142	3/2004
MX	20413	4/2006
MX	20415	4/2006
MX	26747	9/2008
MX	32470	12/2010
MX	32471	12/2010
MX	32472	12/2010
MX	32608	12/2010
MX	38120	2/2013
MX	38601	5/2013
MX	39944	10/2013
MX	39945	10/2013
MX	41864	7/2014
MX	42344	8/2014
MX	43282	1/2015
RU	00046319	11/1999
RU	00048634	4/2001
RU	00049040	7/2001
RU	00055175	9/2004
RU	00057362	8/2005
RU	00058294	12/2005
RU	00061923	3/2007
RU	00062567	5/2007
RU	00067668	9/2008
RU	00067673	9/2008
RU	00068012	10/2008

* cited by examiner

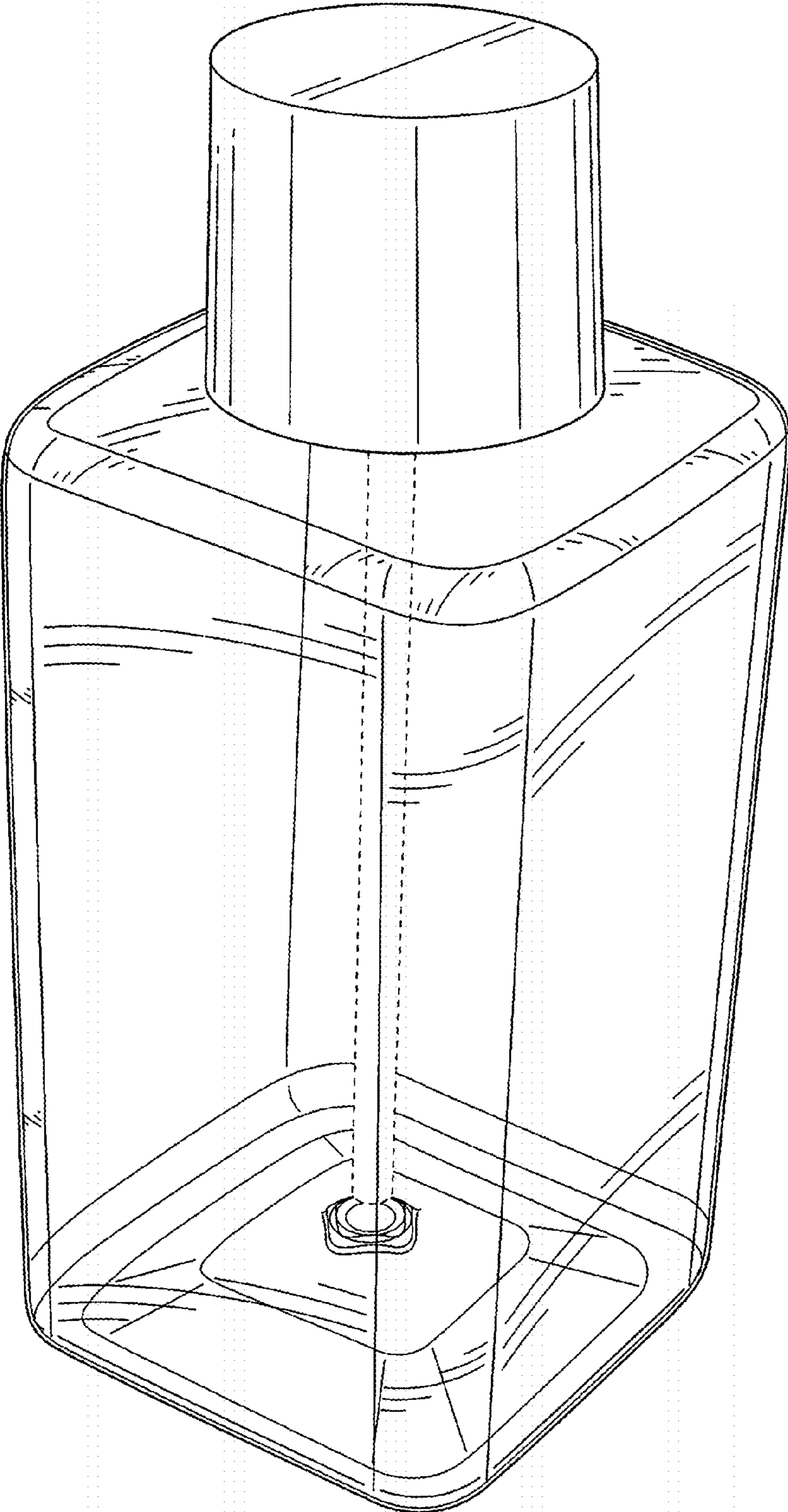


FIG. 1

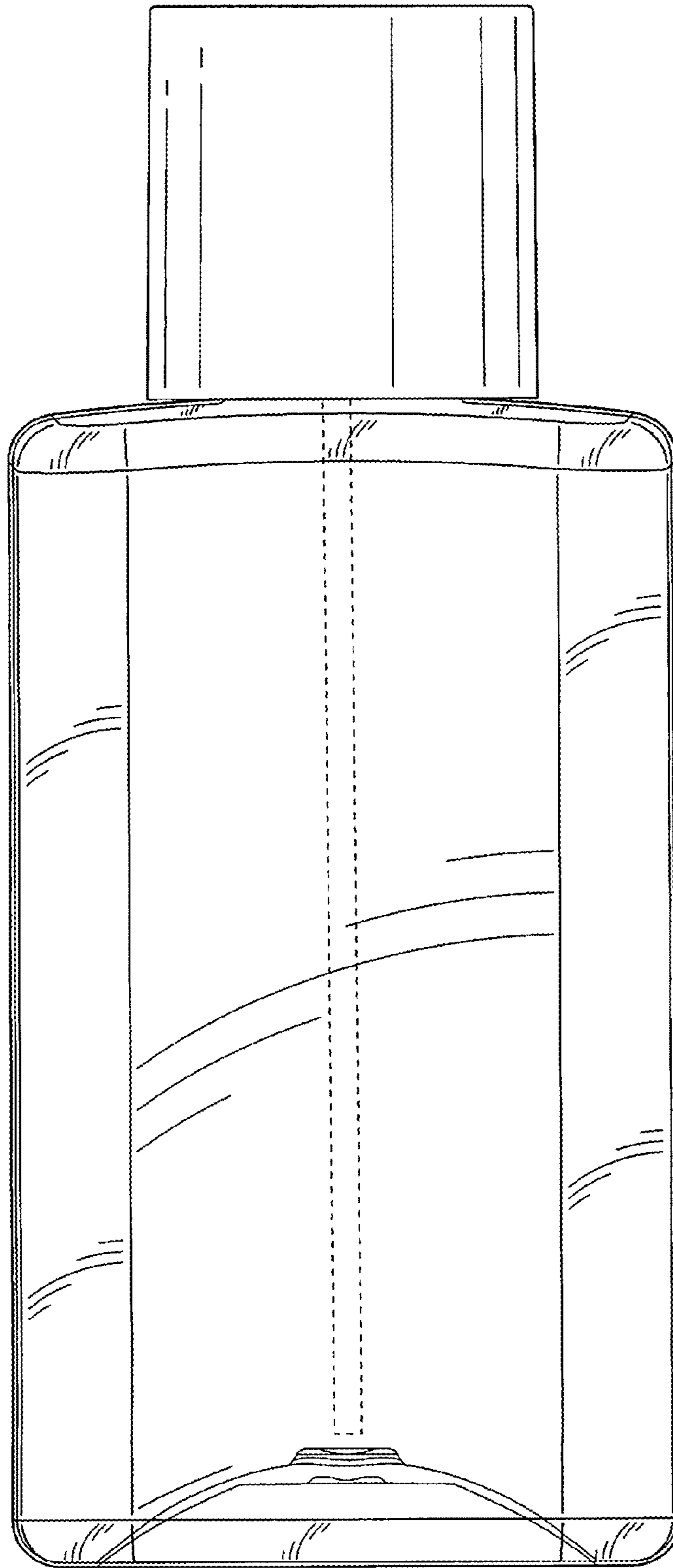


FIG. 2

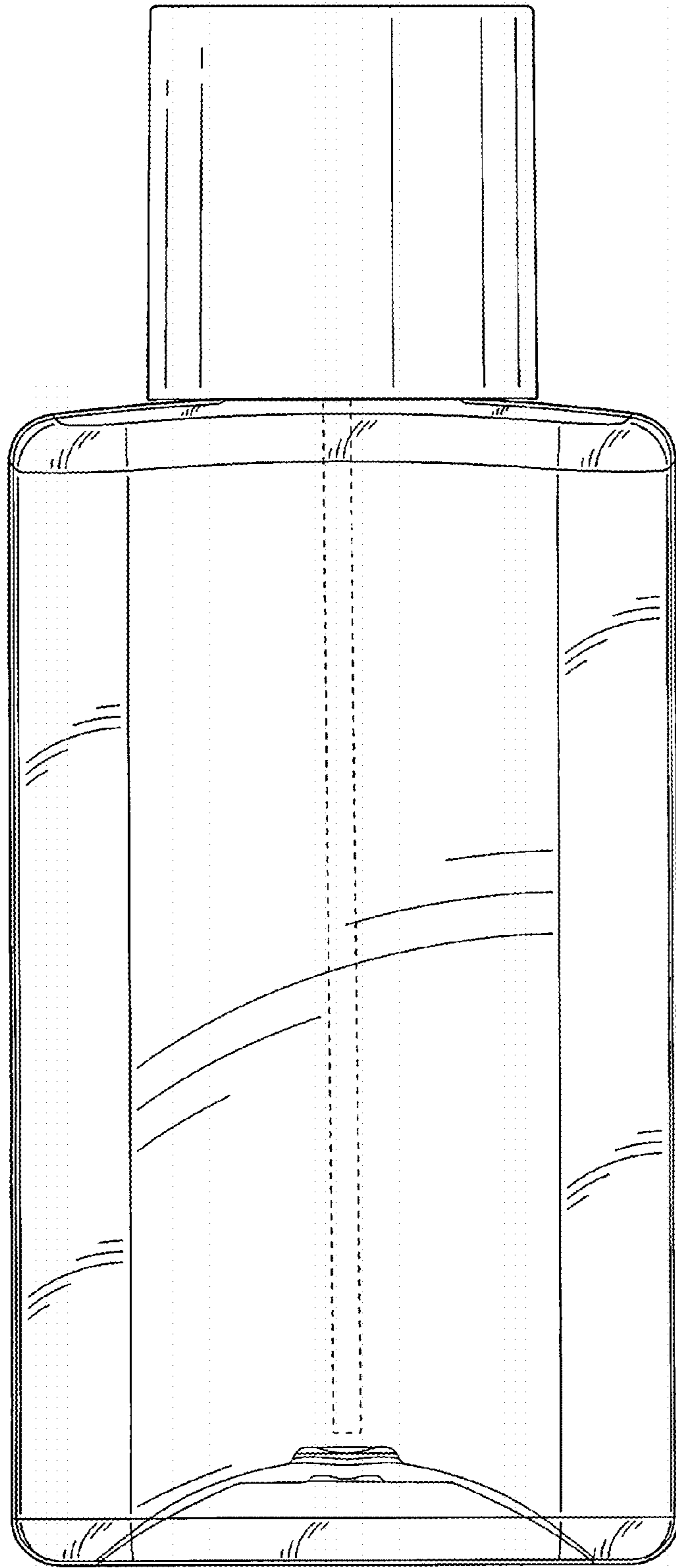


FIG. 3

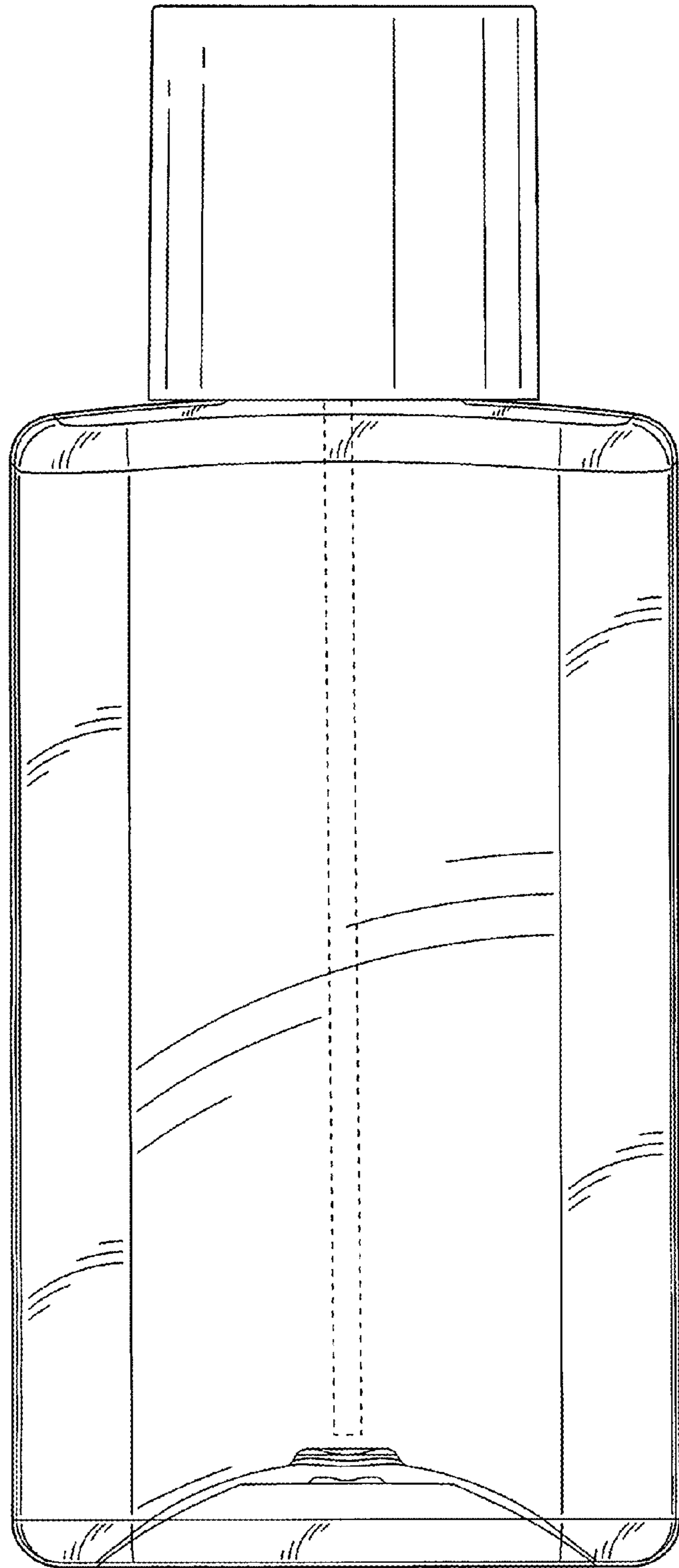


FIG. 4

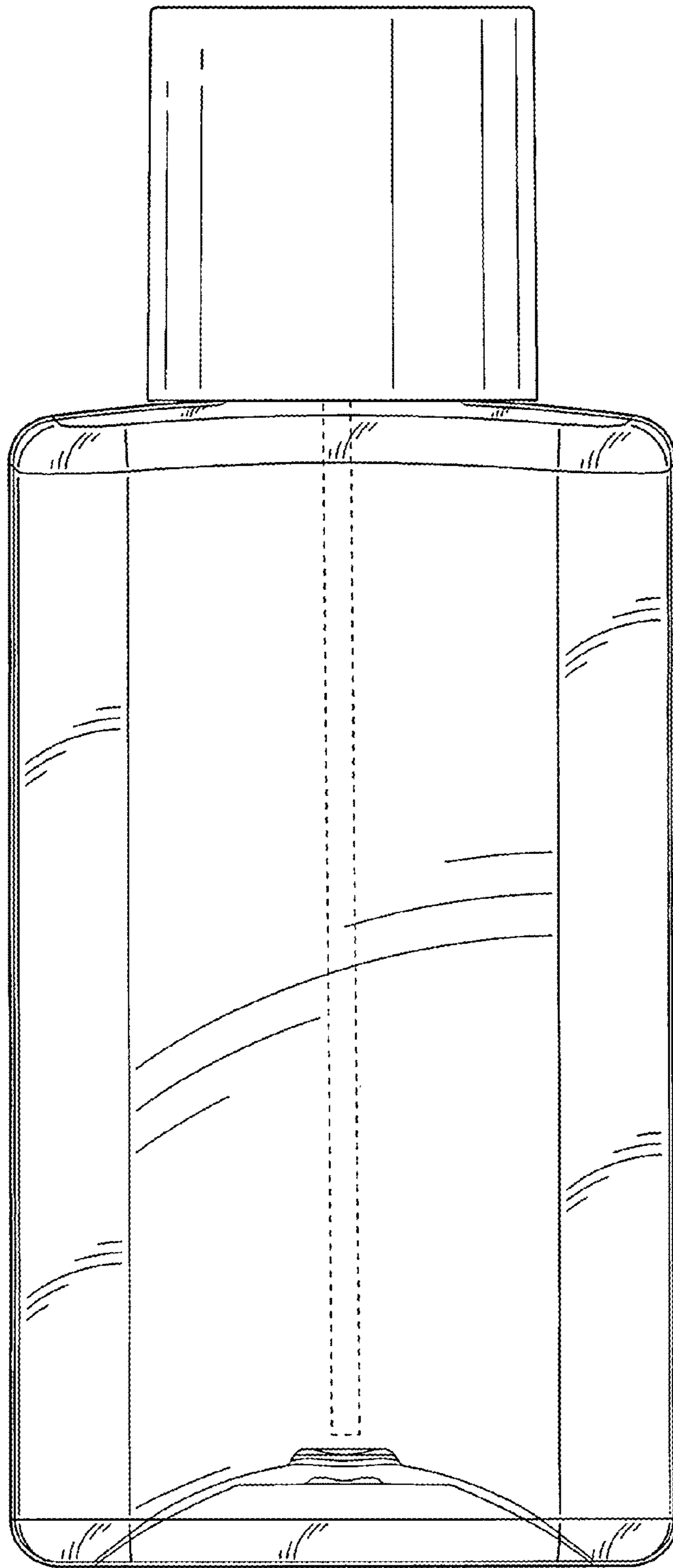


FIG. 5

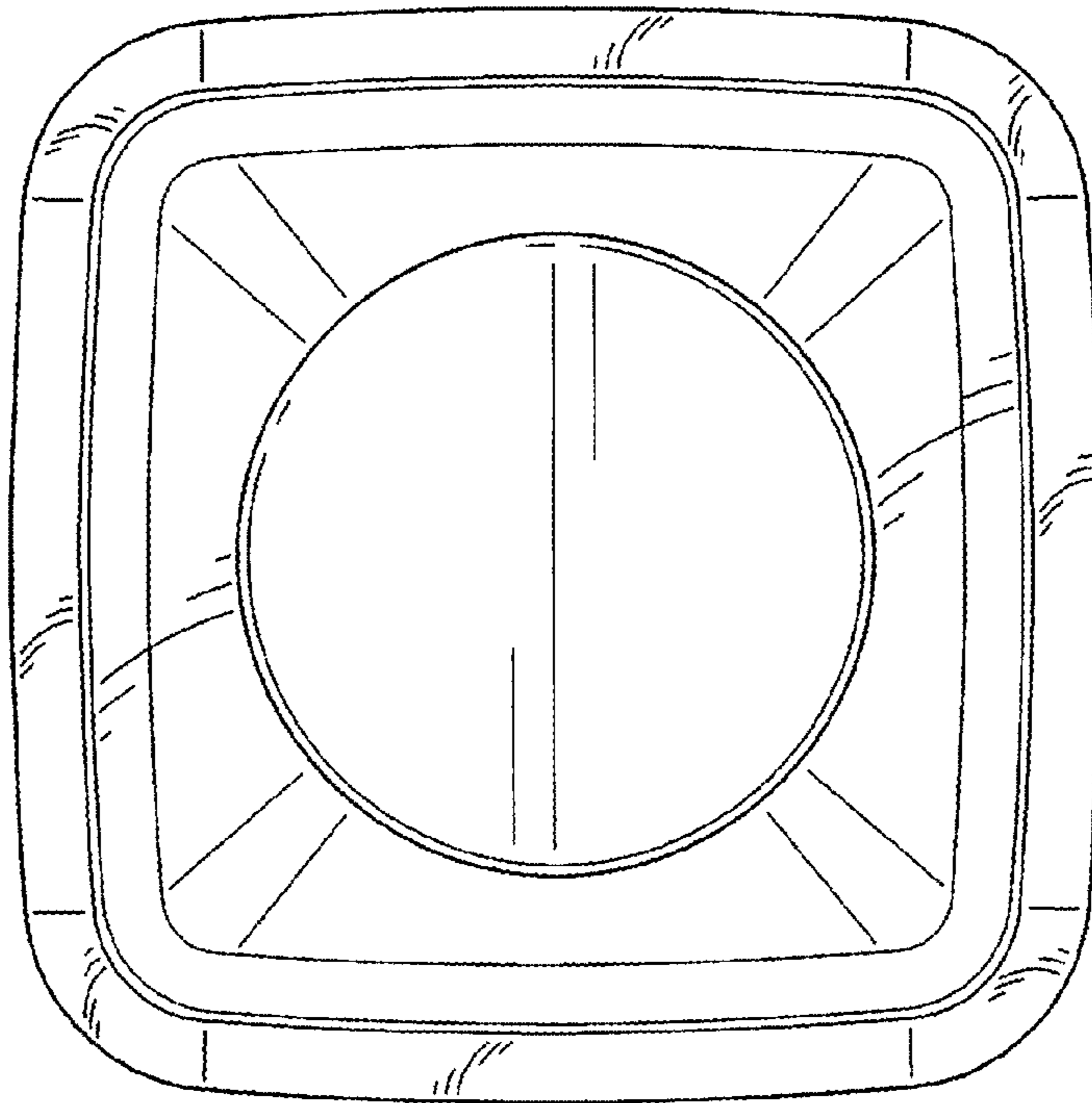


FIG. 6

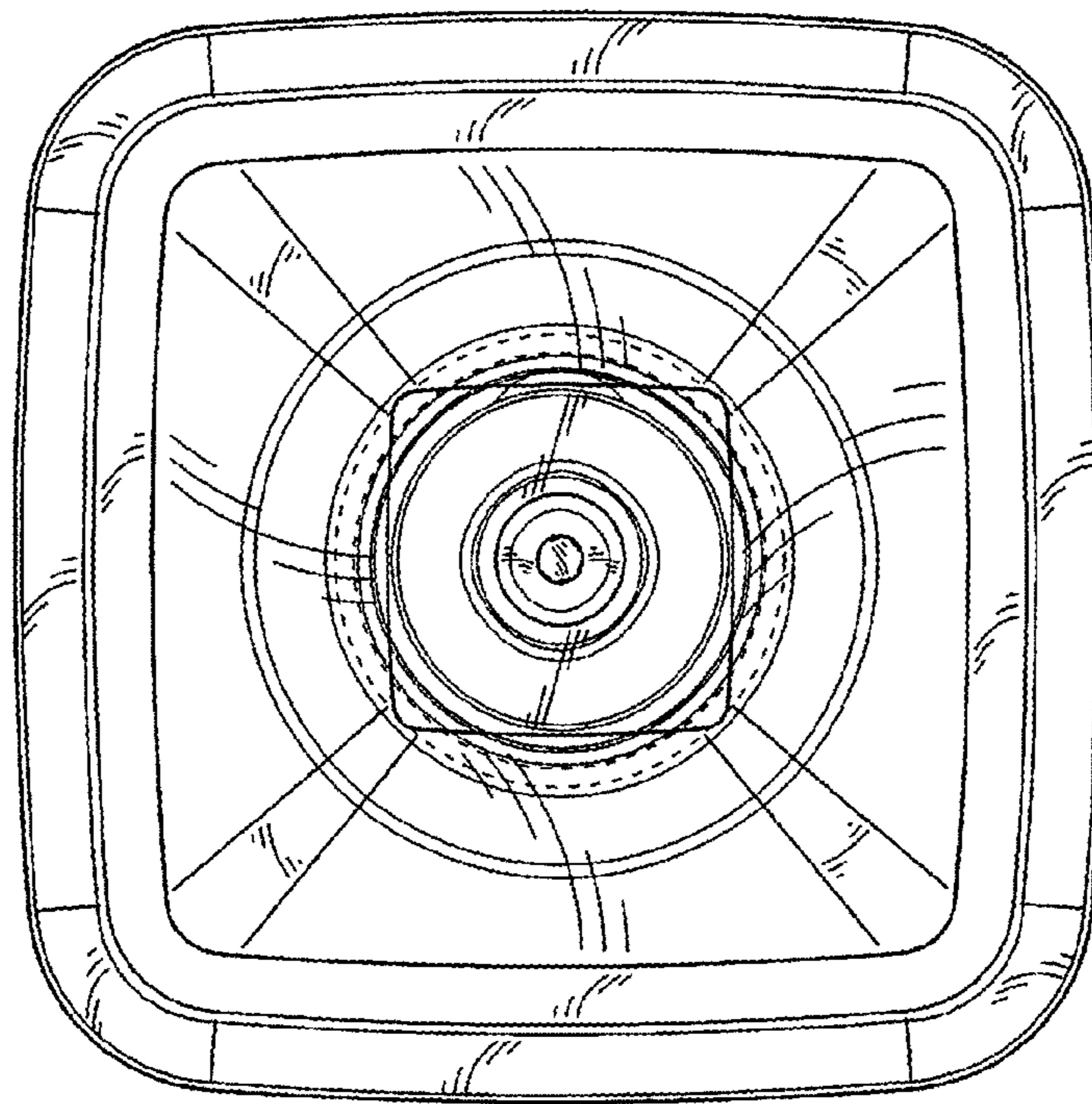


FIG. 7