



US00D776543S

(12) **United States Design Patent**  
**Vizcarra et al.**

(10) **Patent No.:** **US D776,543 S**  
(45) **Date of Patent:** **\*\* Jan. 17, 2017**

- (54) **BOTTLE**
- (71) Applicant: **BISSELL Homecare, Inc.**, Grand Rapids, MI (US)
- (72) Inventors: **Rury Vizcarra**, Wyoming, MI (US);  
**Michael Luyckx**, Ada, MI (US);  
**Mitchell DeJonge**, Fruitport, MI (US)
- (73) Assignee: **BISSELL Homecare, Inc.**, Grand Rapids, MI (US)
- (\*\*) Term: **14 Years**
- (21) Appl. No.: **29/517,438**
- (22) Filed: **Feb. 12, 2015**
- (51) **LOC (10) Cl.** ..... **09-01**
- (52) **U.S. Cl.**  
USPC ..... **D9/542**; D9/563; D9/571; D9/530
- (58) **Field of Classification Search**  
USPC ..... D9/434, 435, 454, 516, 520, 530, 542,  
D9/544, 545, 549, 550, 552, 558, 559,  
D9/560, 571, 574, 715, 719  
CPC ..... B65D 1/00; B65D 1/02; B65D 1/023;  
B65D 1/0223; B65D 1/0276  
See application file for complete search history.

- (56) **References Cited**  
U.S. PATENT DOCUMENTS  
D229,544 S \* 12/1973 Weckman ..... D9/542  
D234,492 S \* 3/1975 Peterson ..... D9/539  
D324,999 S \* 3/1992 Zogg ..... D28/91.2  
D380,684 S \* 7/1997 Del Bianco ..... D9/523  
D384,892 S \* 10/1997 Tolentino ..... D9/542  
D430,804 S \* 9/2000 Bulsink ..... D9/540  
D498,145 S \* 11/2004 McLeish ..... D9/563  
D510,033 S \* 9/2005 McLeish ..... D9/563

|                   |         |            |       |                      |
|-------------------|---------|------------|-------|----------------------|
| D541,660 S *      | 5/2007  | Mayers     | ..... | D9/542               |
| D579,778 S *      | 11/2008 | De Gopegui | ..... | D9/523               |
| D590,268 S *      | 4/2009  | Floyd      | ..... | D9/543               |
| D614,964 S *      | 5/2010  | Verdura    | ..... | D9/543               |
| D657,678 S *      | 4/2012  | Heidel     | ..... | D9/516               |
| D660,167 S *      | 5/2012  | Weaver     | ..... | D9/542               |
| D660,713 S *      | 5/2012  | Weaver     | ..... | D9/542               |
| D662,828 S *      | 7/2012  | Jackson    | ..... | D9/543               |
| D669,789 S *      | 10/2012 | Jackson    | ..... | D9/542               |
| D670,174 S *      | 11/2012 | Hague      | ..... | D9/563               |
| D672,247 S *      | 12/2012 | Kreider    | ..... | D9/542               |
| D687,714 S *      | 8/2013  | De Wilde   | ..... | D9/451               |
| D698,654 S *      | 2/2014  | Hague      | ..... | D9/516               |
| D712,267 S *      | 9/2014  | Handy      | ..... | D9/500               |
| D741,715 S *      | 10/2015 | Casscles   | ..... | D9/542               |
| 2010/0107341 A1 * | 5/2010  | Floyd      | ..... | B65D 1/0223<br>8/137 |

\* cited by examiner

*Primary Examiner* — Ian Simmons  
*Assistant Examiner* — Keith Frank  
(74) *Attorney, Agent, or Firm* — McGarry Bair PC

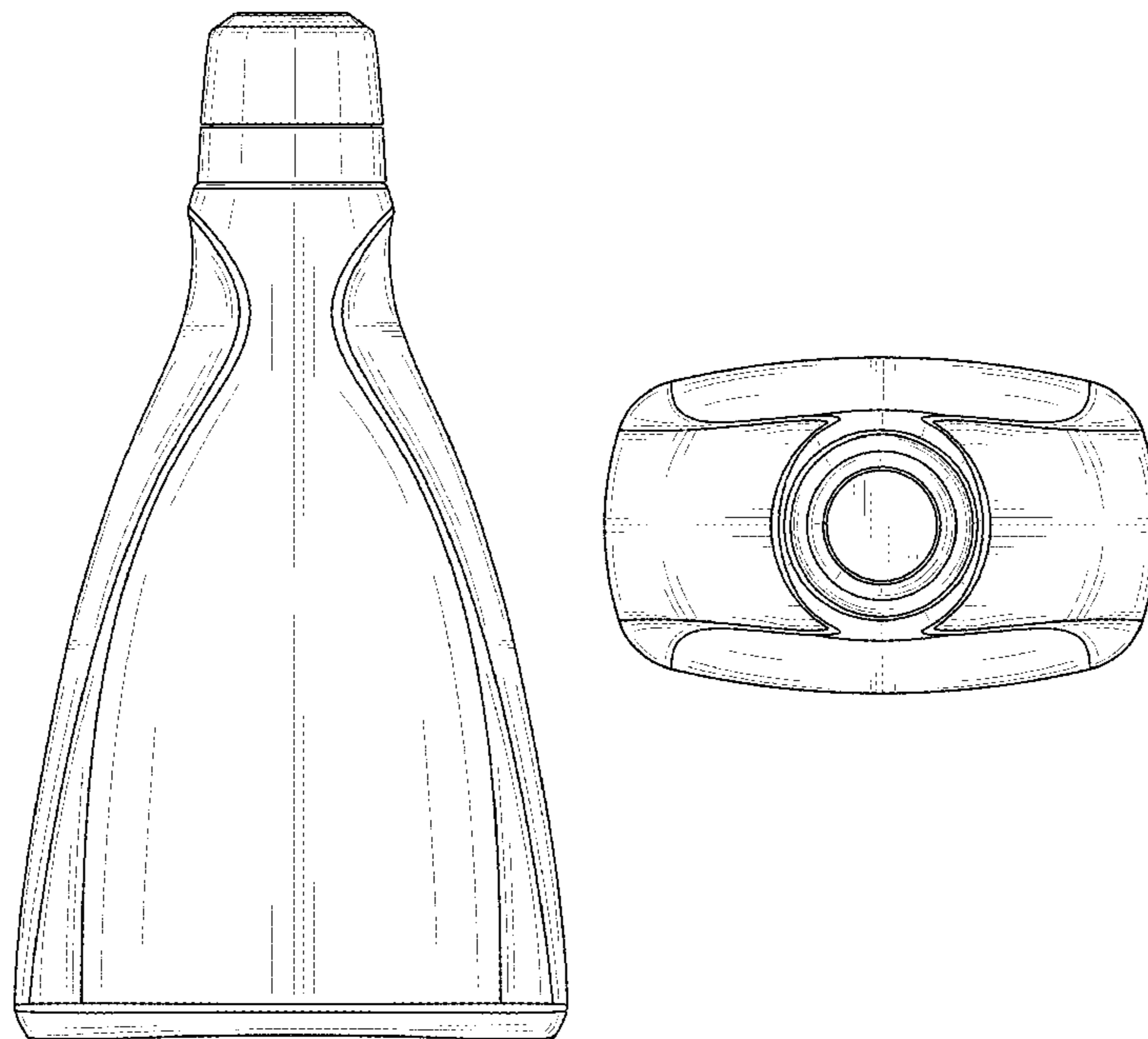
(57) **CLAIM**

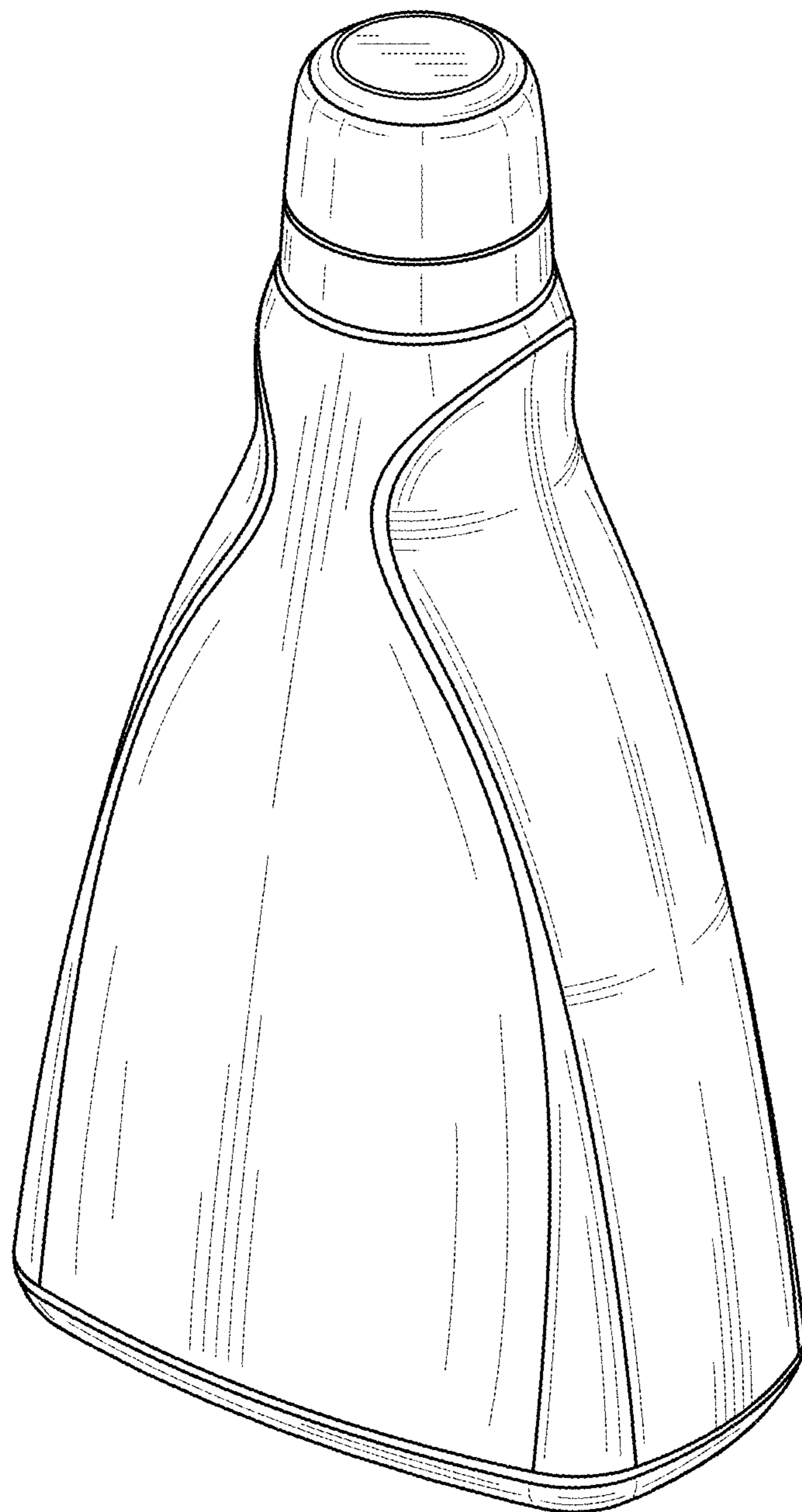
The ornamental design for a bottle, as shown and described.

**DESCRIPTION**

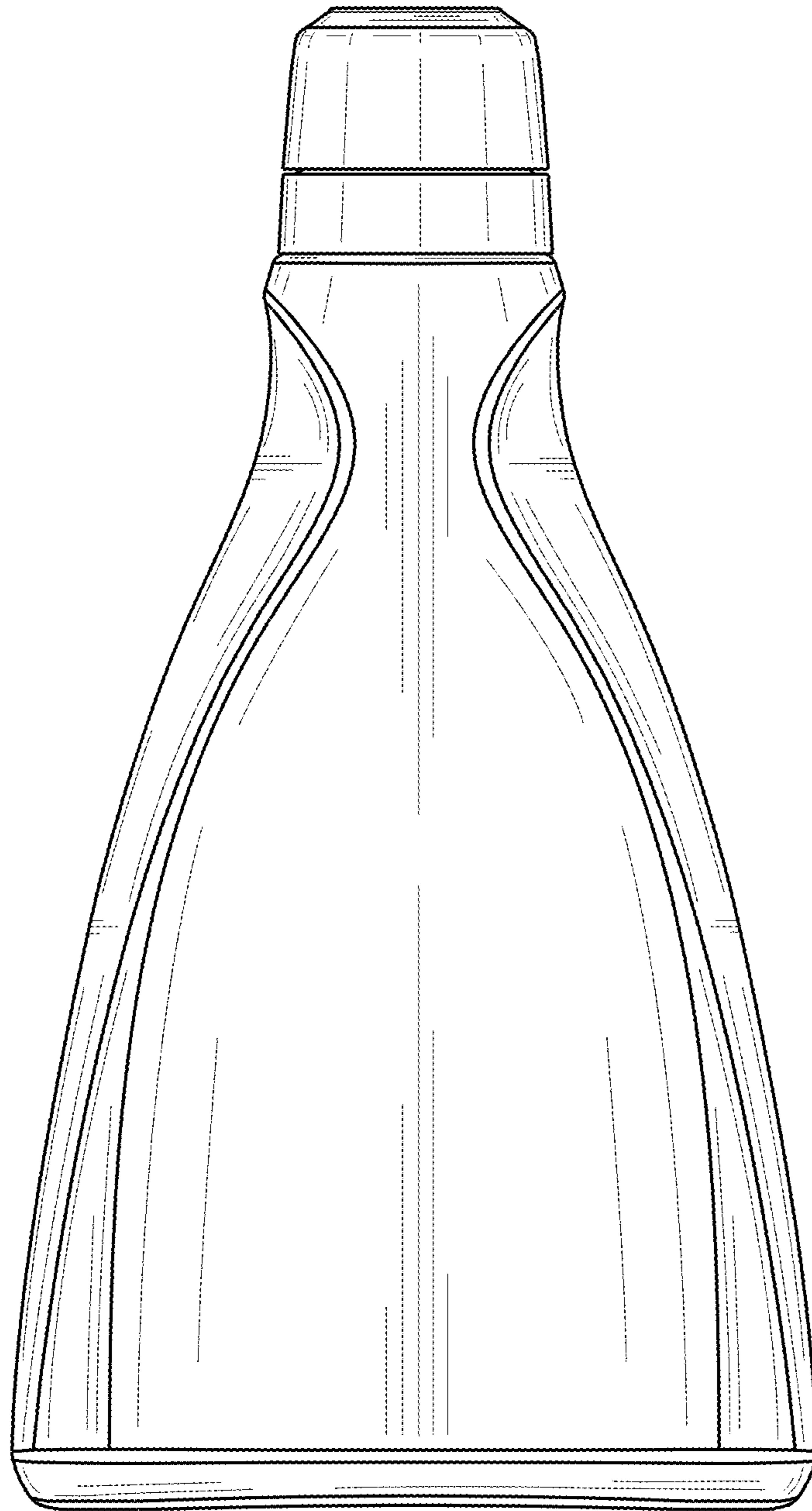
FIG. 1 is a front perspective view of a bottle showing our new design;  
FIG. 2 is a front view thereof, the rear view being a mirror image;  
FIG. 3 is a right side view thereof; the left side view being a mirror image;  
FIG. 4 is a top view thereof; and,  
FIG. 5 is a bottom view thereof.  
The broken lines in the drawings illustrate the portions of the bottle that form no part of the claimed design.

**1 Claim, 4 Drawing Sheets**

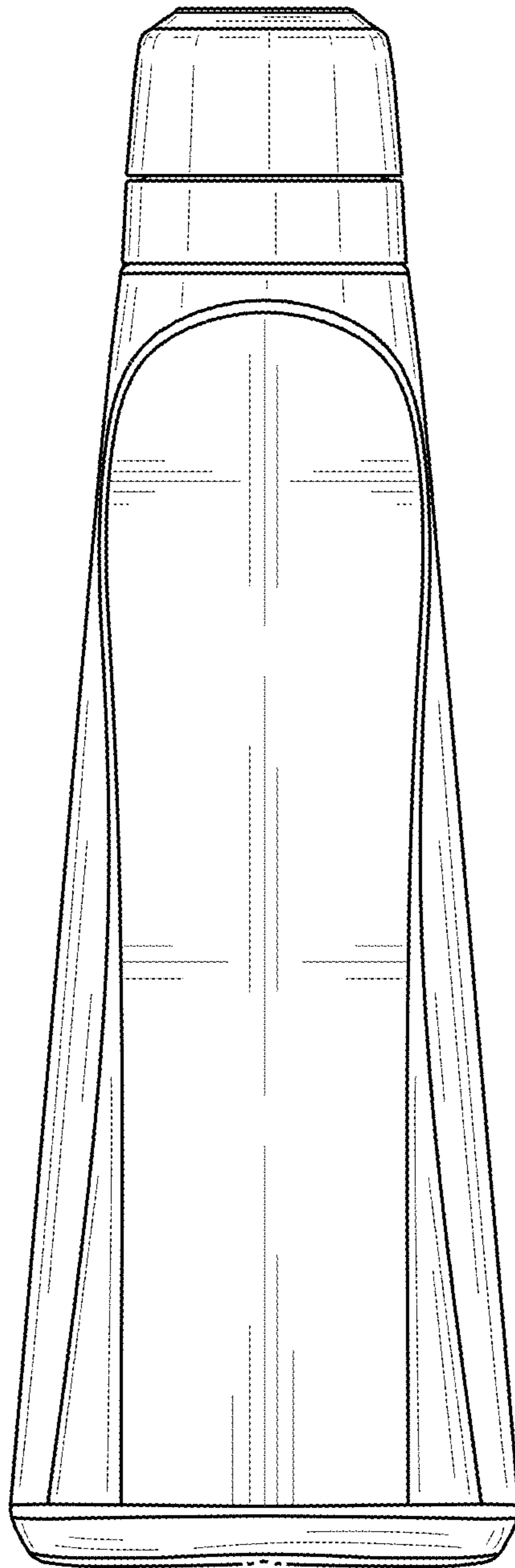




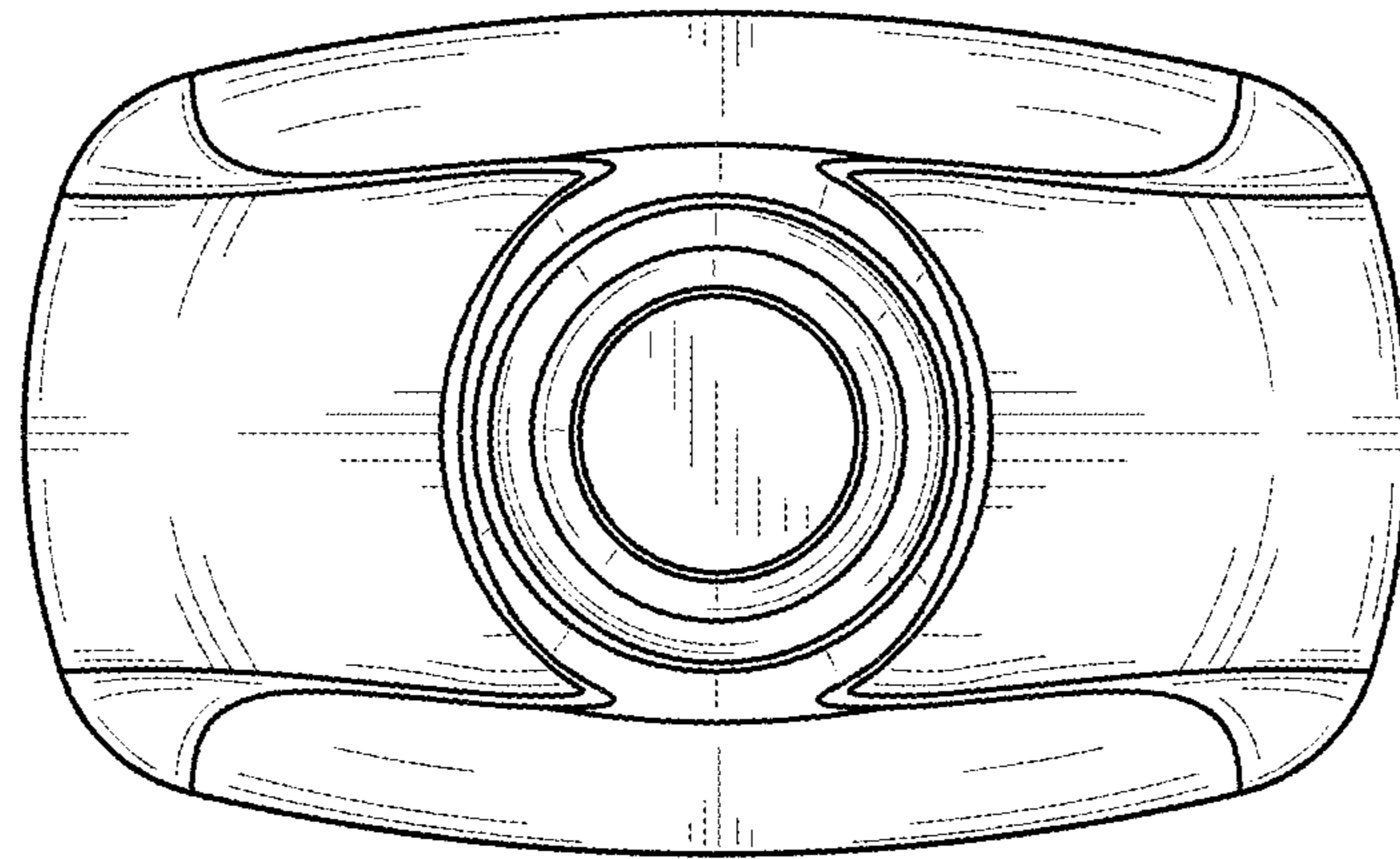
**FIG. 1**



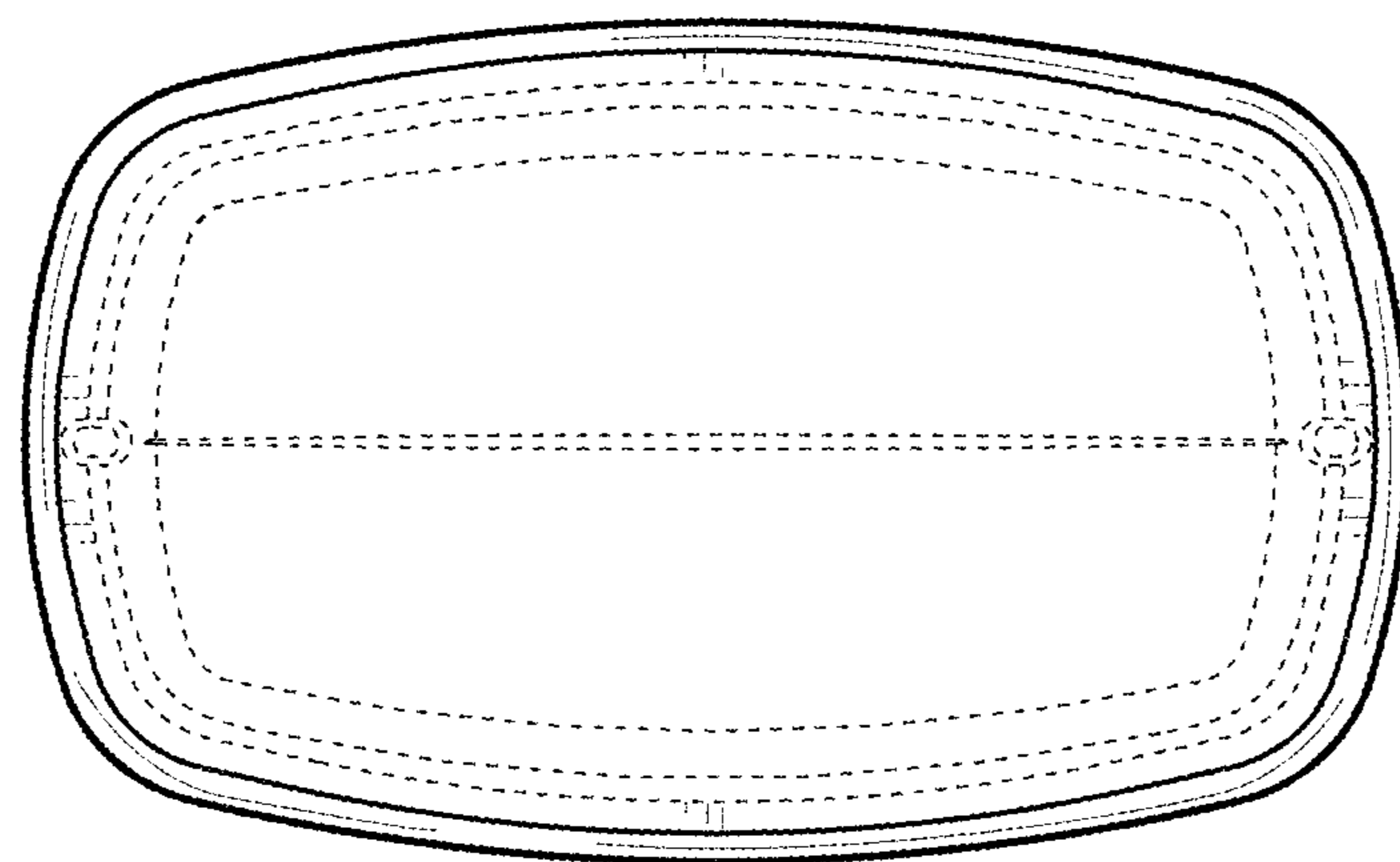
**FIG. 2**



**FIG. 3**



**FIG. 4**



**FIG. 5**