



US00D776541S

(12) **United States Design Patent** (10) **Patent No.:** **US D776,541 S**
Jin (45) **Date of Patent:** **** Jan. 17, 2017**

- (54) **PART OF BOTTLE**
- (71) Applicant: **Conopco, Inc.**, Englewood Cliffs, NJ (US)
- (72) Inventor: **Jing Jin**, Shanghai (CN)
- (73) Assignee: **Conopco, Inc.**, Englewood Cliffs, NJ (US)
- (**) Term: **14 Years**
- (21) Appl. No.: **29/497,818**
- (22) Filed: **Jul. 29, 2014**
- (30) **Foreign Application Priority Data**
Feb. 19, 2014 (EM) 002407643-0001
- (51) **LOC (10) Cl.** **09-01**
- (52) **U.S. Cl.**
USPC **D9/522; D9/520; D9/564; D9/565; D9/575**
- (58) **Field of Classification Search**
USPC D9/682, 693, 516, 521-522, 529, 552, D9/558, 565, 574-575, 447-449; 215/379, 381-384; 220/660, 669, 675
See application file for complete search history.

- (56) **References Cited**
U.S. PATENT DOCUMENTS
D230,137 S * 1/1974 Bettonica D9/529
D348,388 S * 7/1994 Kuzma D9/575
D352,663 S 11/1994 Suxdorf
D362,391 S 9/1995 Gobe
D379,933 S * 6/1997 Lambrecht D9/574 X
D381,915 S * 8/1997 Dinand D9/575 X
D405,700 S * 2/1999 Chae D9/573 X
6,077,579 A * 6/2000 De Laforcade A45D 33/18
206/459.1
D446,129 S * 8/2001 de Giovellina D9/575

- D458,149 S * 6/2002 Cummings D9/574 X
 - D465,685 S 11/2002 Dellerman
 - D478,815 S * 8/2003 Joubert D9/529 X
 - D486,400 S * 2/2004 Bakic D9/558 X
 - 6,779,689 B2 * 8/2004 Flaig B05B 11/3047
222/182
 - D521,873 S 5/2006 Ross
 - D526,568 S * 8/2006 Bakic D9/558
- (Continued)

FOREIGN PATENT DOCUMENTS

GB	3008524	8/2003
JP	1238591	3/2005

OTHER PUBLICATIONS

Co-pending Application: Applicant: Jin; filed Jul. 28, 2014, U.S. Appl. No. 29/497,802.

(Continued)

Primary Examiner — Carol P Rademaker
(74) *Attorney, Agent, or Firm* — Karen E. Klumas

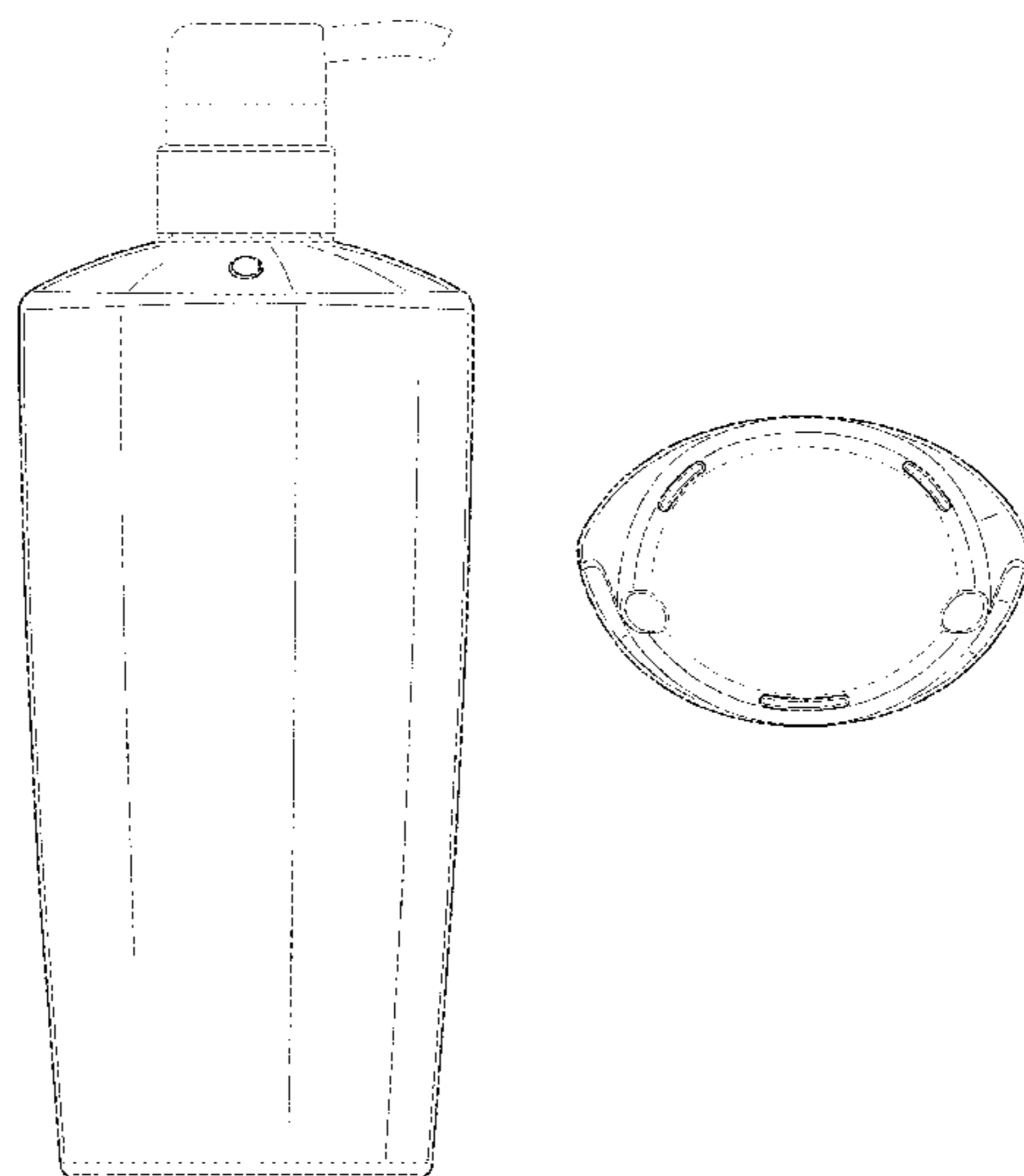
(57) **CLAIM**

The ornamental design for a part of bottle, as shown and described.

DESCRIPTION

FIG. 1 is a top, front, left side perspective view of a part of bottle;
FIG. 2 is a front elevational view thereof;
FIG. 3 is a rear elevational view thereof;
FIG. 4 is a left side elevational view thereof;
FIG. 5 is a right side elevational view thereof;
FIG. 6 is a top plan view thereof; and,
FIG. 7 is a bottom plan view thereof.
The broken lines shown in the drawing views are included for the purpose of illustrating portions of the design that form no part of the claimed design.

1 Claim, 5 Drawing Sheets



(56)

References Cited

U.S. PATENT DOCUMENTS

D534,426 S 1/2007 Bakic
 D545,682 S 7/2007 Mongeon
 D561,045 S * 2/2008 Lee D9/574 X
 D563,233 S * 3/2008 Patzak D9/549
 D569,736 S 5/2008 Oates et al.
 D575,166 S * 8/2008 Miller D9/682
 D582,766 S 12/2008 Gatrost
 D585,289 S * 1/2009 Toh D9/529 X
 D588,913 S 3/2009 Bakic
 D591,164 S 4/2009 Ribadeneira Mejia
 D591,613 S 5/2009 Mason
 D594,747 S 6/2009 Moretti
 D595,131 S 6/2009 Dibnah
 D601,035 S 9/2009 Rangaswamy
 D601,425 S * 10/2009 Miller D9/522 X
 D604,164 S * 11/2009 Miller D9/565 X
 D625,189 S * 10/2010 Dias D9/552 X
 D626,843 S 11/2010 Oates
 D626,844 S * 11/2010 Shi D9/449
 D626,858 S * 11/2010 Oates D9/682
 D632,577 S * 2/2011 Drake D9/574 X
 D632,585 S * 2/2011 Jebb D9/521
 D632,970 S * 2/2011 Drake D9/682
 D635,023 S * 3/2011 Stolle D9/575 X
 D641,627 S 7/2011 Rosenauer
 D641,633 S * 7/2011 Carnduff D9/447

D646,170 S * 10/2011 Carnduff D9/522 X
 D651,899 S 1/2012 Frias
 D652,306 S 1/2012 Drake et al.
 D661,582 S 6/2012 Gatrost
 D666,501 S 9/2012 Brummelhuis
 D672,654 S 12/2012 Jackel
 D686,495 S 7/2013 Murray
 D711,231 S * 8/2014 Pun D9/565 X
 D715,645 S 10/2014 Bergbohm
 8,919,615 B2 * 12/2014 Szekely A47K 5/1201
 D9/449
 D727,723 S 4/2015 Pipes
 D727,724 S 4/2015 Pipes
 D729,062 S 5/2015 Julius
 9,090,386 B2 7/2015 van Alfen
 D748,491 S * 2/2016 Jin A47K 5/1201
 222/322
 D753,494 S * 4/2016 Toh D9/682
 2001/0037991 A1 11/2001 Harris
 2005/0173366 A1 8/2005 Baudin

OTHER PUBLICATIONS

Co-pending Application: Applicant: Jin; filed Jul. 28, 2014, U.S. Appl. No. 29/497,806.
 Co-pending Application: Applicant: Jin; filed Jul. 28, 2014, U.S. Appl. No. 29/497,811.

* cited by examiner

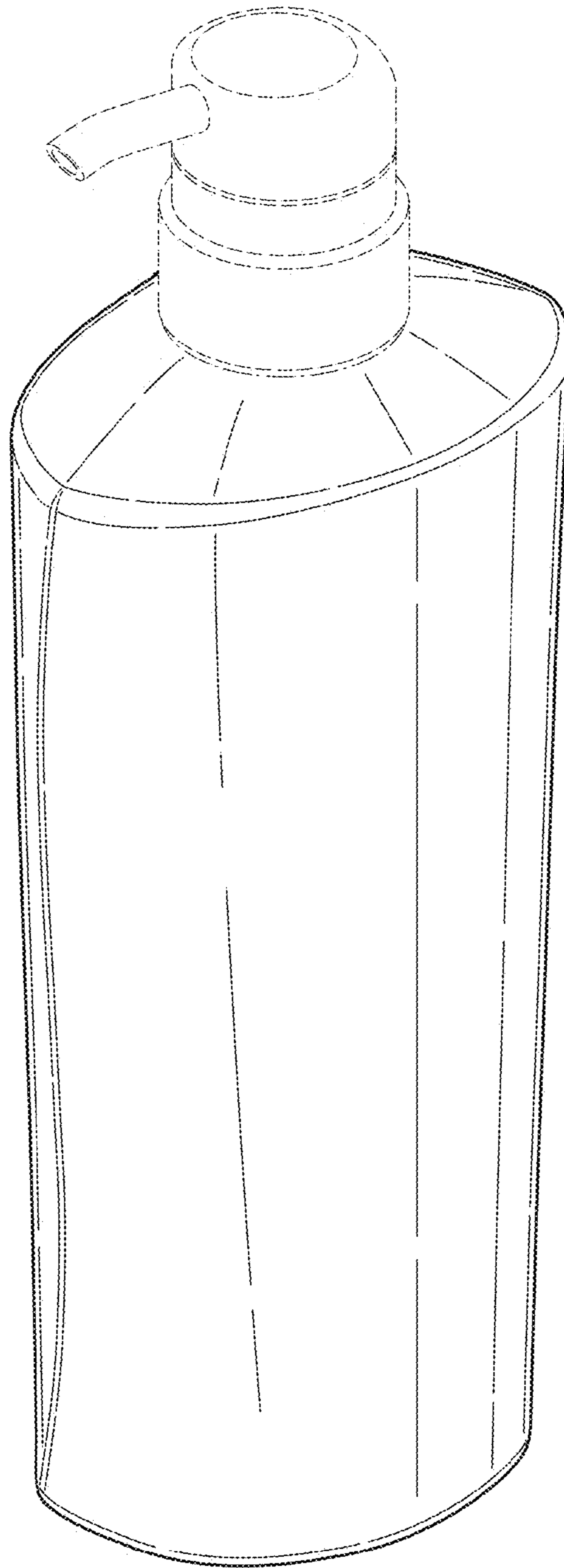


Fig. 1

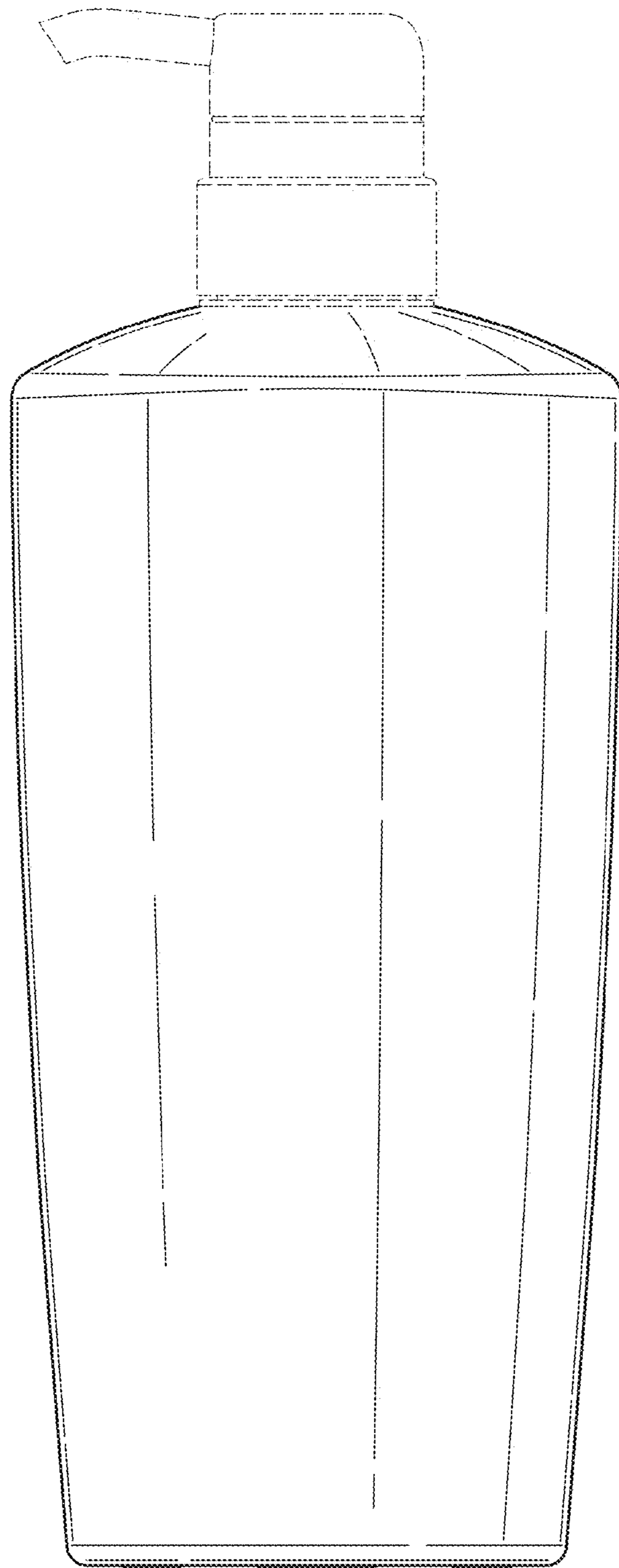


Fig. 2

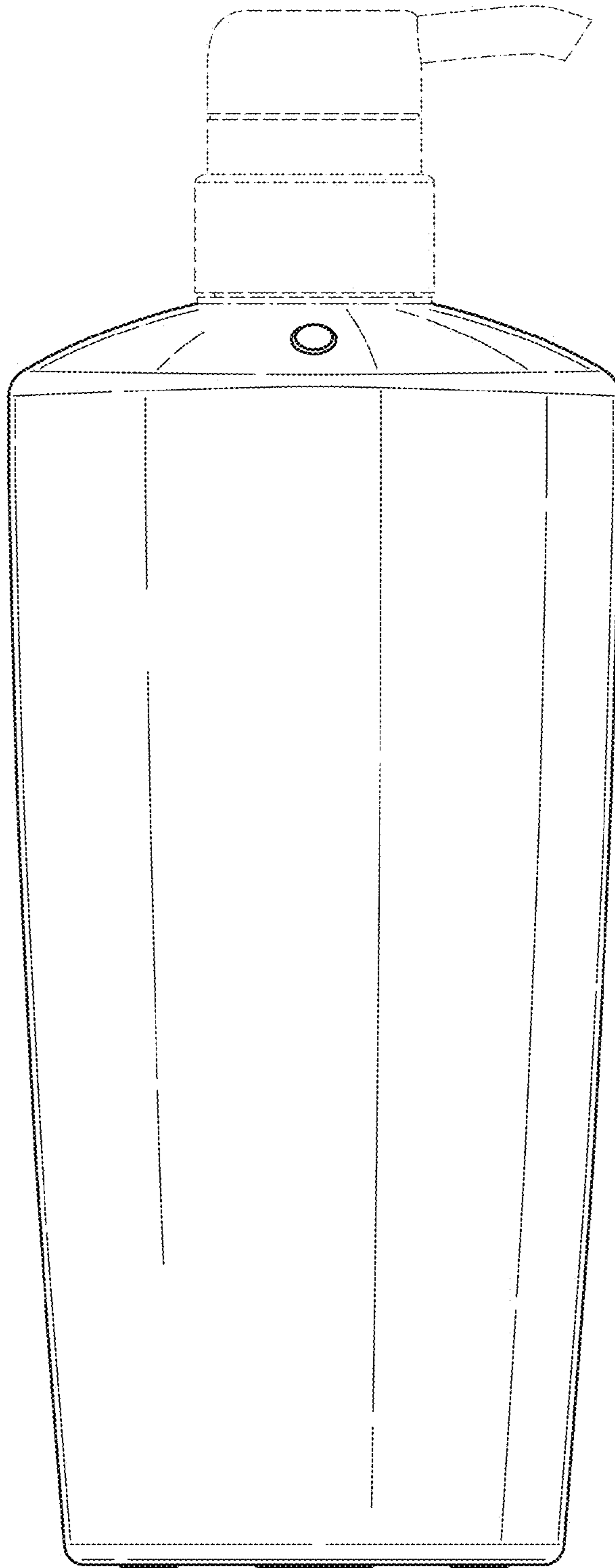


Fig. 3

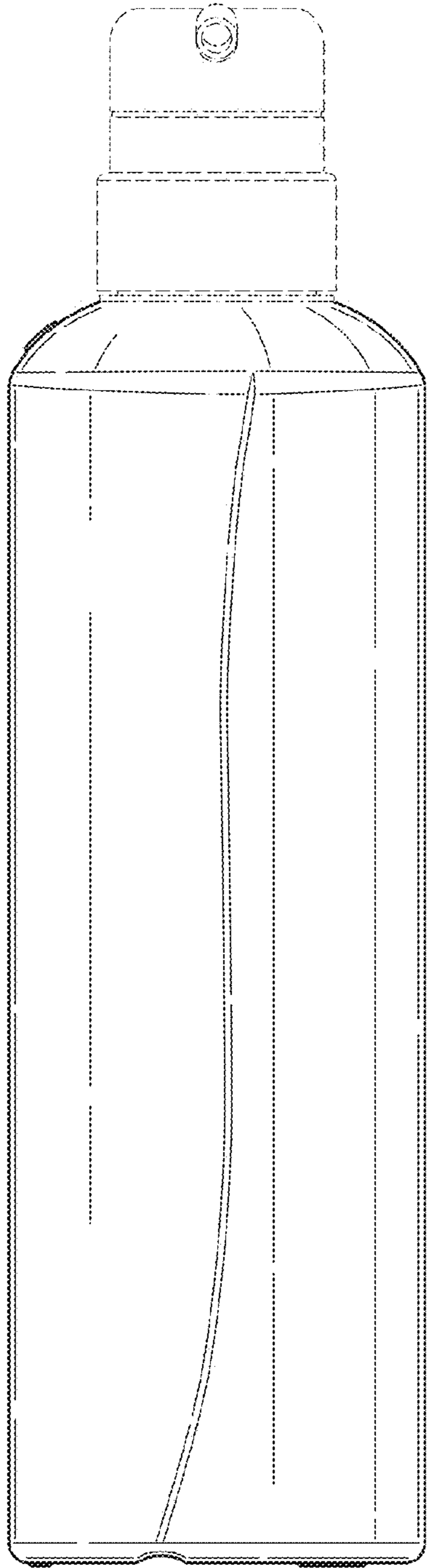


Fig. 4

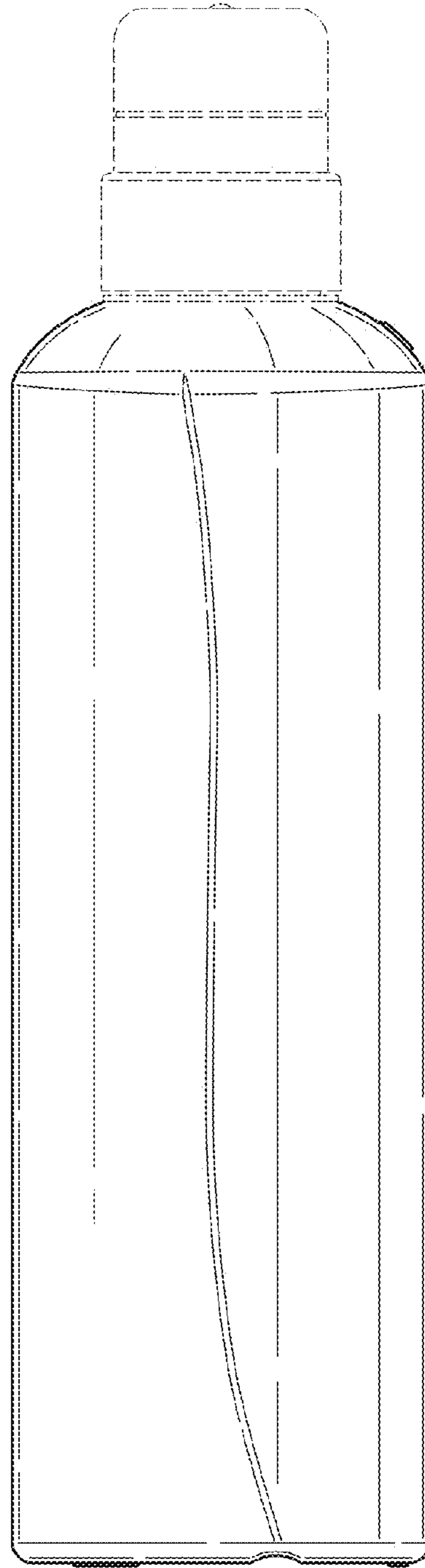


Fig. 5

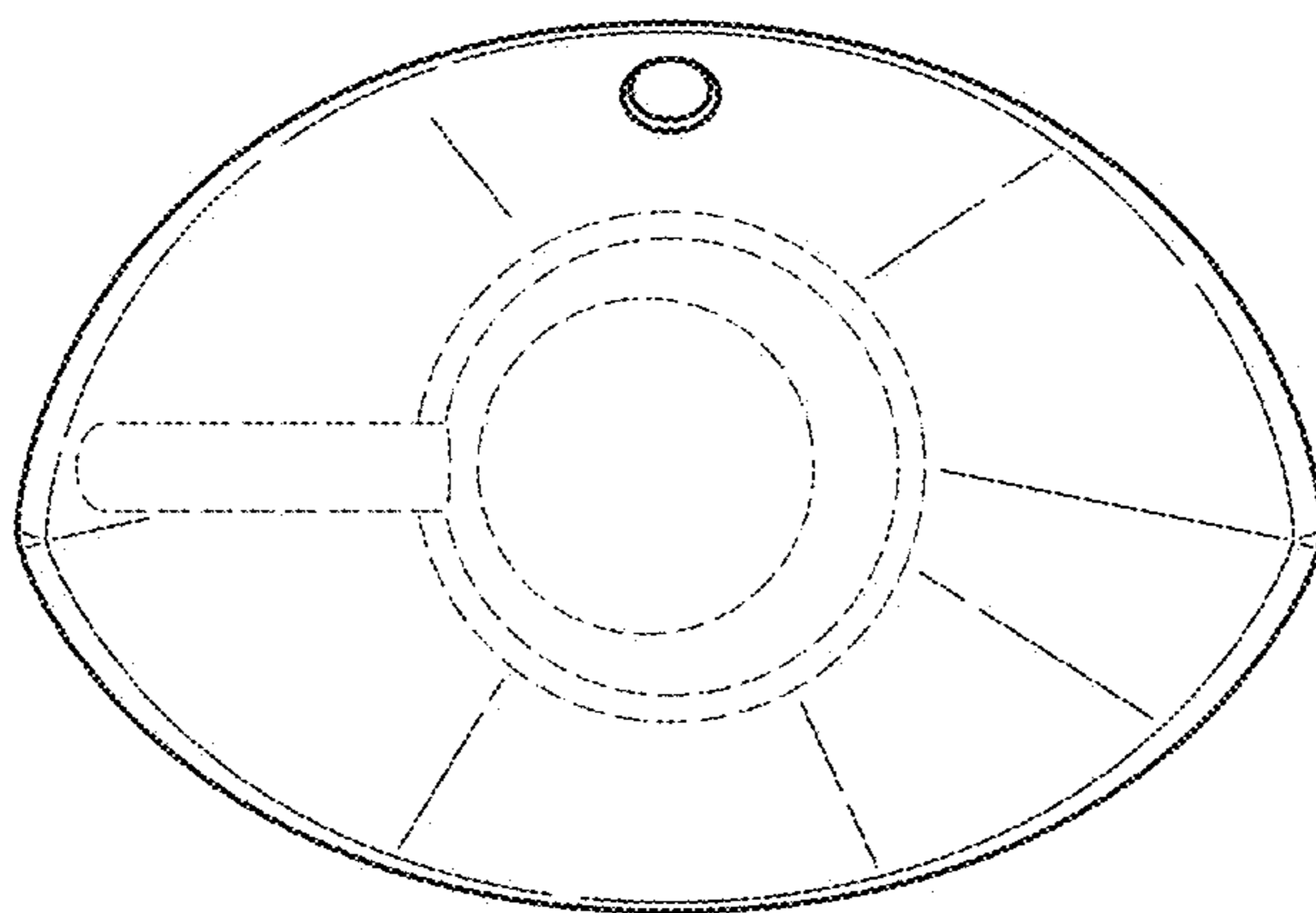


Fig. 6

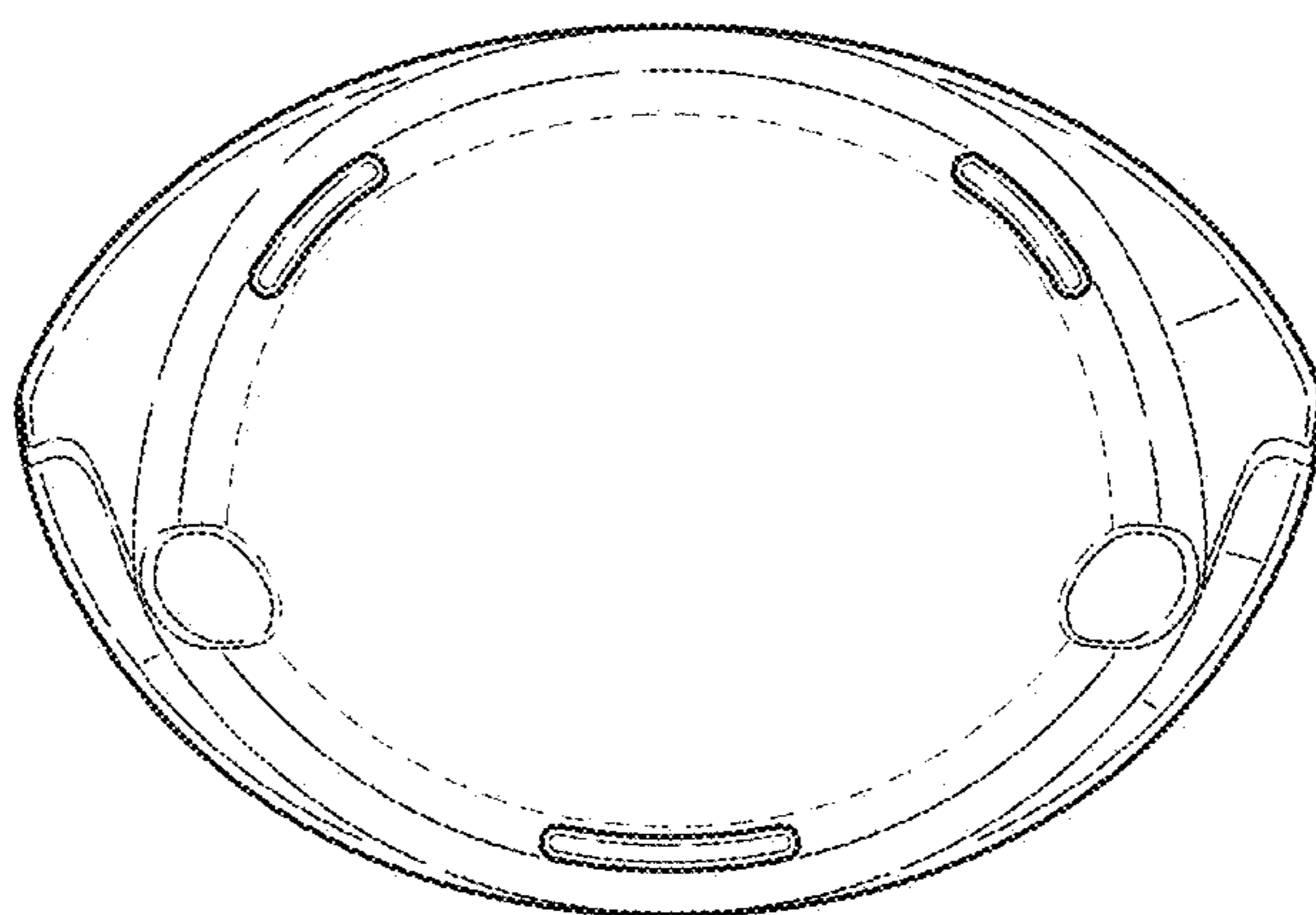


Fig. 7