



US00D776536S

(12) **United States Design Patent** (10) **Patent No.:** **US D776,536 S**
Emoff et al. (45) **Date of Patent:** **** Jan. 17, 2017**

- (54) **CAN STAND**
- (71) Applicant: **Boost Technologies, LLC**, Dayton, OH (US)
- (72) Inventors: **Michael J. Emoff**, Dayton, OH (US);
Vincent Mensink, Amsterdam (NL);
Arend Stemerding, Haarlem (NL)
- (73) Assignee: **Boost Technologies, LLC**, Dayton, OH (US)
- (**) Term: **15 Years**
- (21) Appl. No.: **29/547,220**
- (22) Filed: **Dec. 2, 2015**
- (51) **LOC (10) Cl.** **09-07**
- (52) **U.S. Cl.**
USPC **D9/455**
- (58) **Field of Classification Search**
USPC D9/455, 434, 705, 635, 520, 517, 516,
D9/456, 454, 452, 444, 445, 438, 436,
D9/435, 433, 432, 416, 499; 220/733,
220/737, 578, 571, 571.1, 572, 630;
248/346.03; 215/390, 392, 393; D26/51;
428/138; 362/101; 229/404, 128, 110,
229/103.3; 206/776, 755, 754, 583, 522,
206/453, 390, 232; D8/396, 394, 382;
D7/624.2, 602; D23/262; D11/86;
D32/54; D6/524
CPC B65F 1/141; Y10S 248/907; B44D 3/14;
A47G 23/0266
See application file for complete search history.

(56) **References Cited**

U.S. PATENT DOCUMENTS

- 4,905,945 A * 3/1990 Peterson B65F 1/141
220/603
- D318,428 S * 7/1991 Kowk D9/455
- 5,992,787 A * 11/1999 Burke H02G 11/02
206/409
- D505,595 S * 5/2005 Kujawski D7/619.1

- D525,127 S * 7/2006 Cogley D9/456
- D563,785 S * 3/2008 Maki D9/454
- D647,391 S * 10/2011 Barrese D6/550
- D699,571 S * 2/2014 Zomorodi D9/435
- D716,653 S * 11/2014 Balembois D9/435
- D717,651 S * 11/2014 Marina D9/454
- 8,978,918 B2 * 3/2015 Tirone F25D 3/08
206/229
- D761,649 S * 7/2016 Buck D9/447
- 2005/0189242 A1 * 9/2005 Vitye A47K 5/04
206/77.1

OTHER PUBLICATIONS

Gripponz™ by Gadgit Girlz, <http://www.gadgitgirlz.com/gripponz/> (2015).

* cited by examiner

Primary Examiner — David Muller

(74) *Attorney, Agent, or Firm* — Walters & Wasylyna LLC

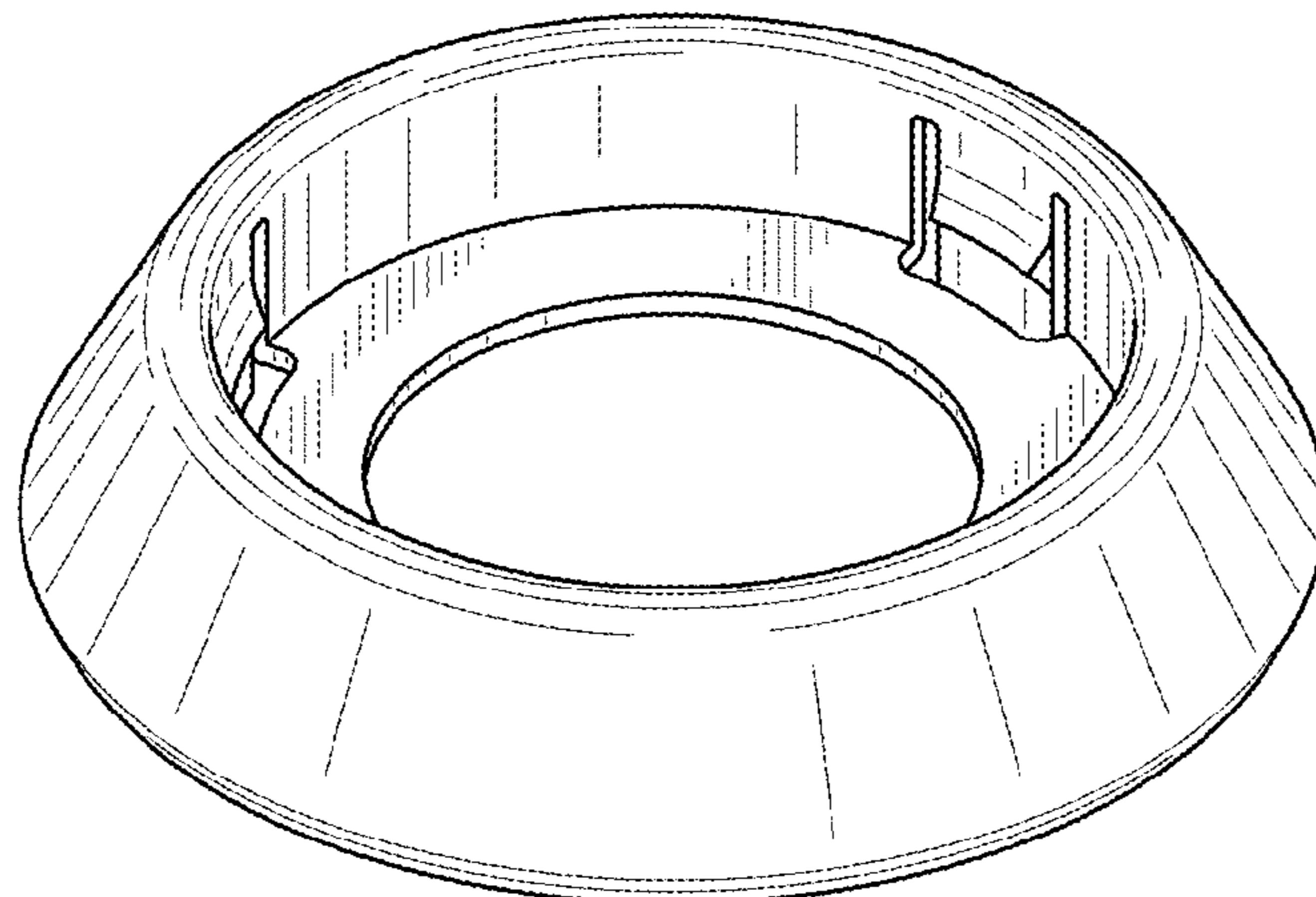
(57) **CLAIM**

The ornamental design for a can stand, as shown and described.

DESCRIPTION

FIG. 1 is a perspective view of a can stand showing our new design;
 FIG. 2 is a top plan view thereof;
 FIG. 3 is a bottom plan view thereof;
 FIG. 4 is a front elevation view thereof;
 FIG. 5 is a rear elevation view thereof;
 FIG. 6 is a left side elevation view thereof;
 FIG. 7 is a right side elevation view thereof; and,
 FIG. 8 is a perspective view thereof showing the can stand in an environment in which it may be used.
 The broken lines in FIG. 8 show environment that forms no part of the claimed design.

1 Claim, 4 Drawing Sheets



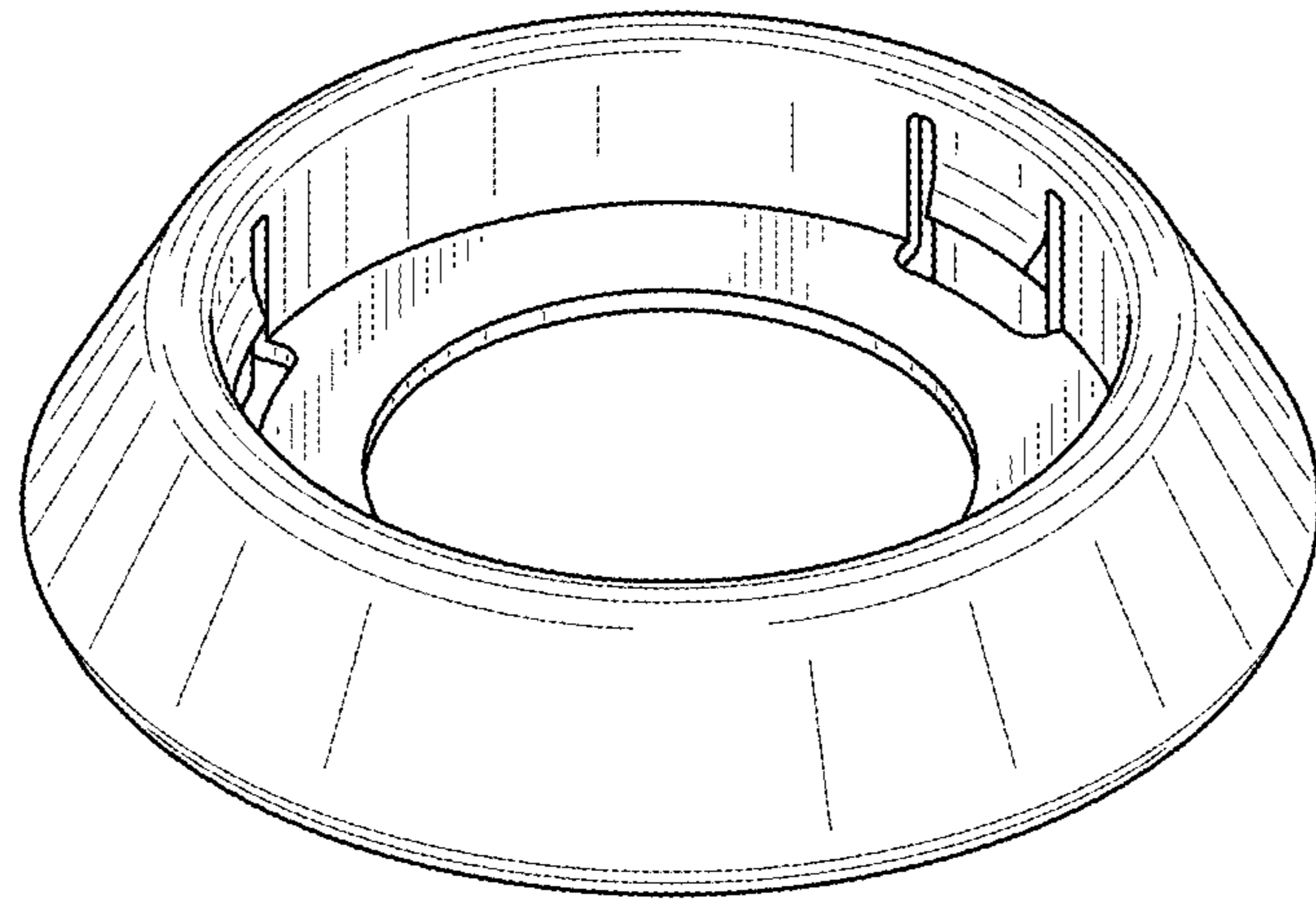


FIG. 1

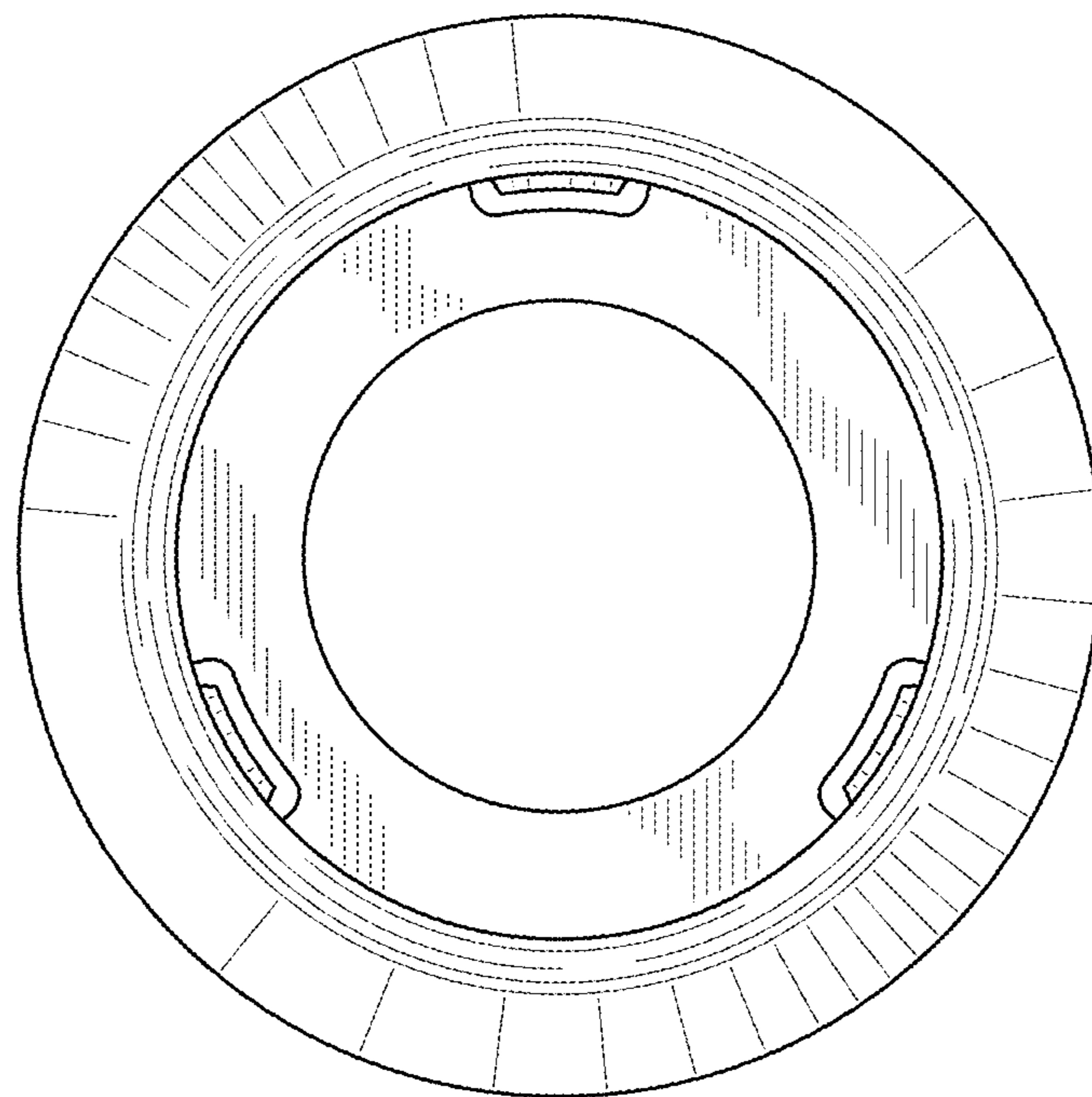


FIG. 2

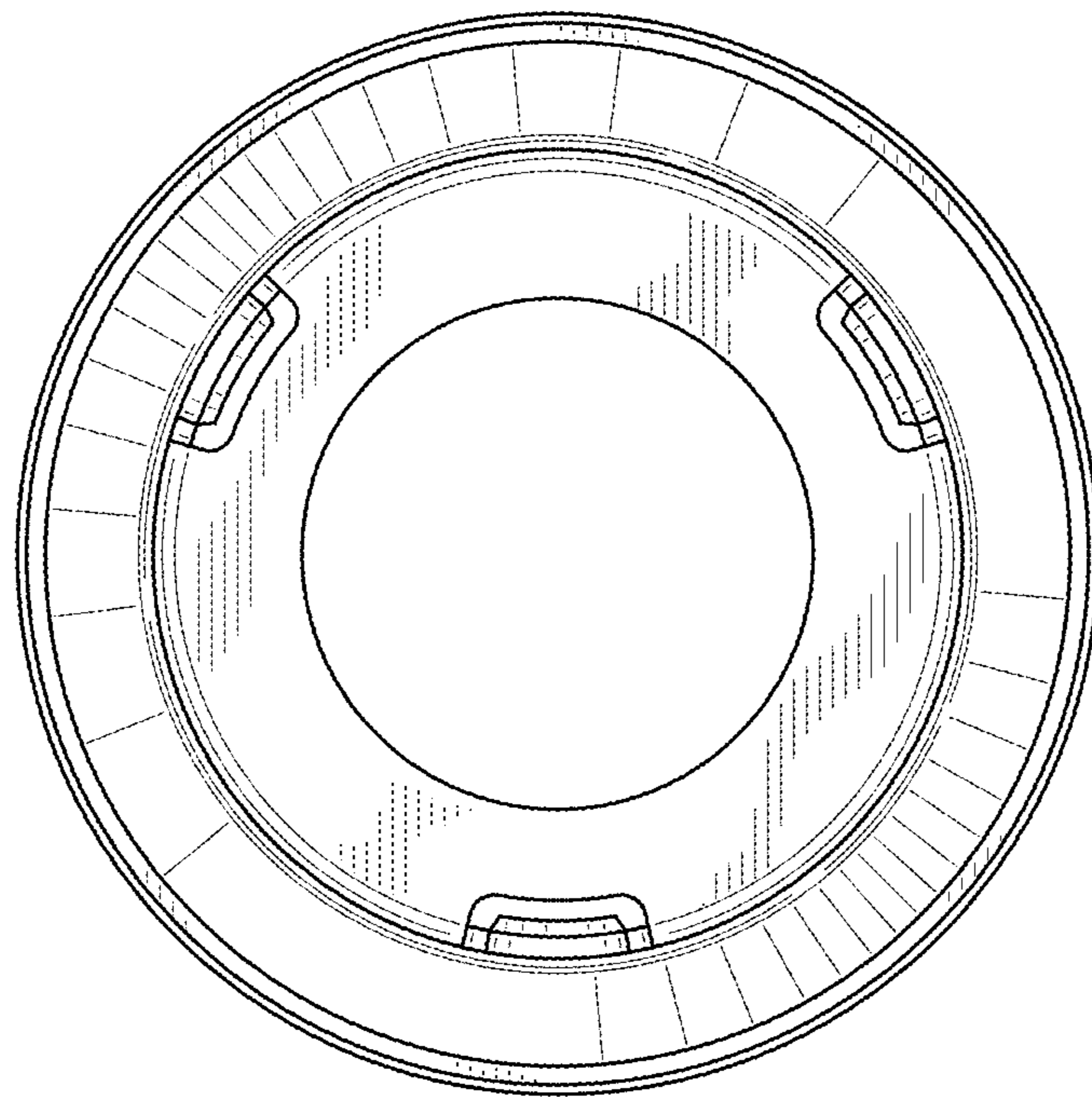


FIG. 3

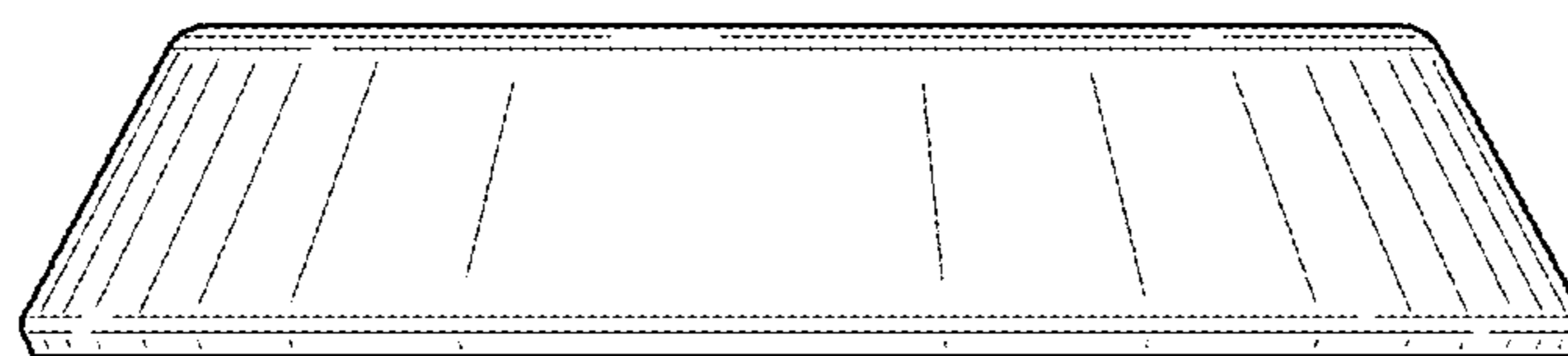


FIG. 4

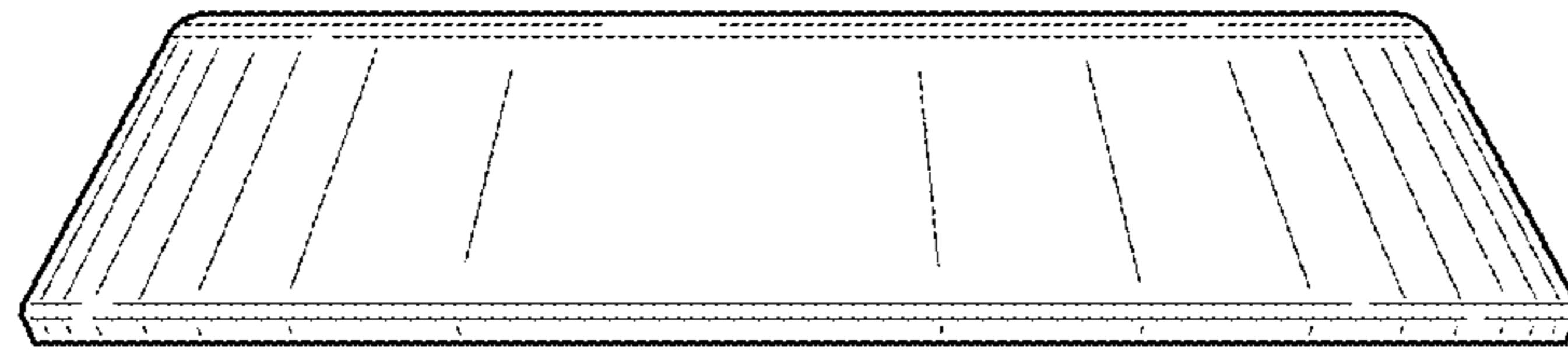


FIG. 5

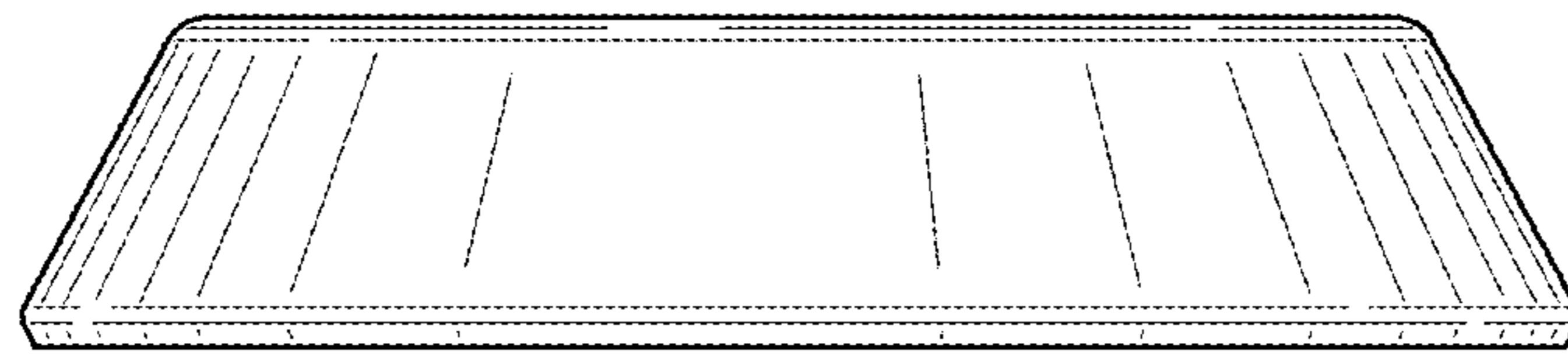


FIG. 6

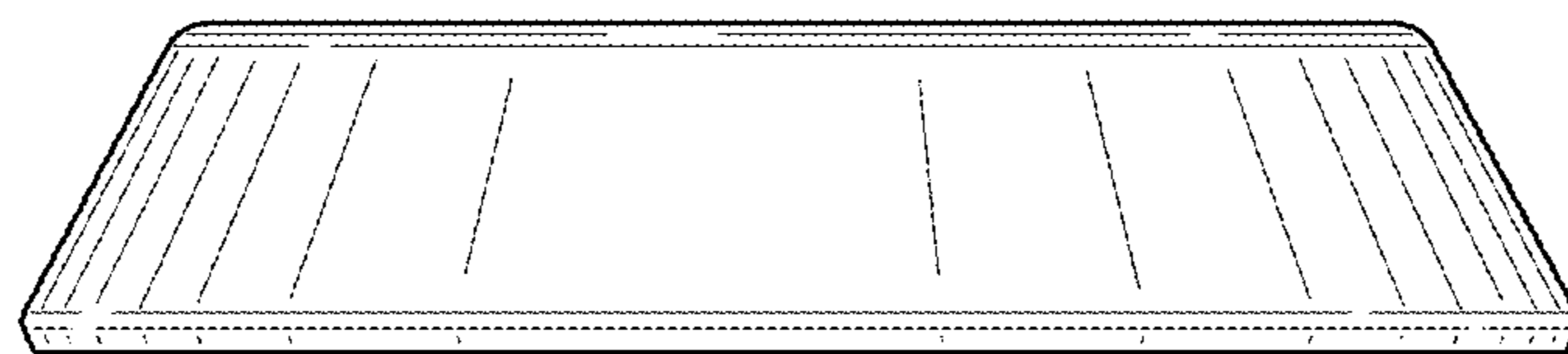


FIG. 7

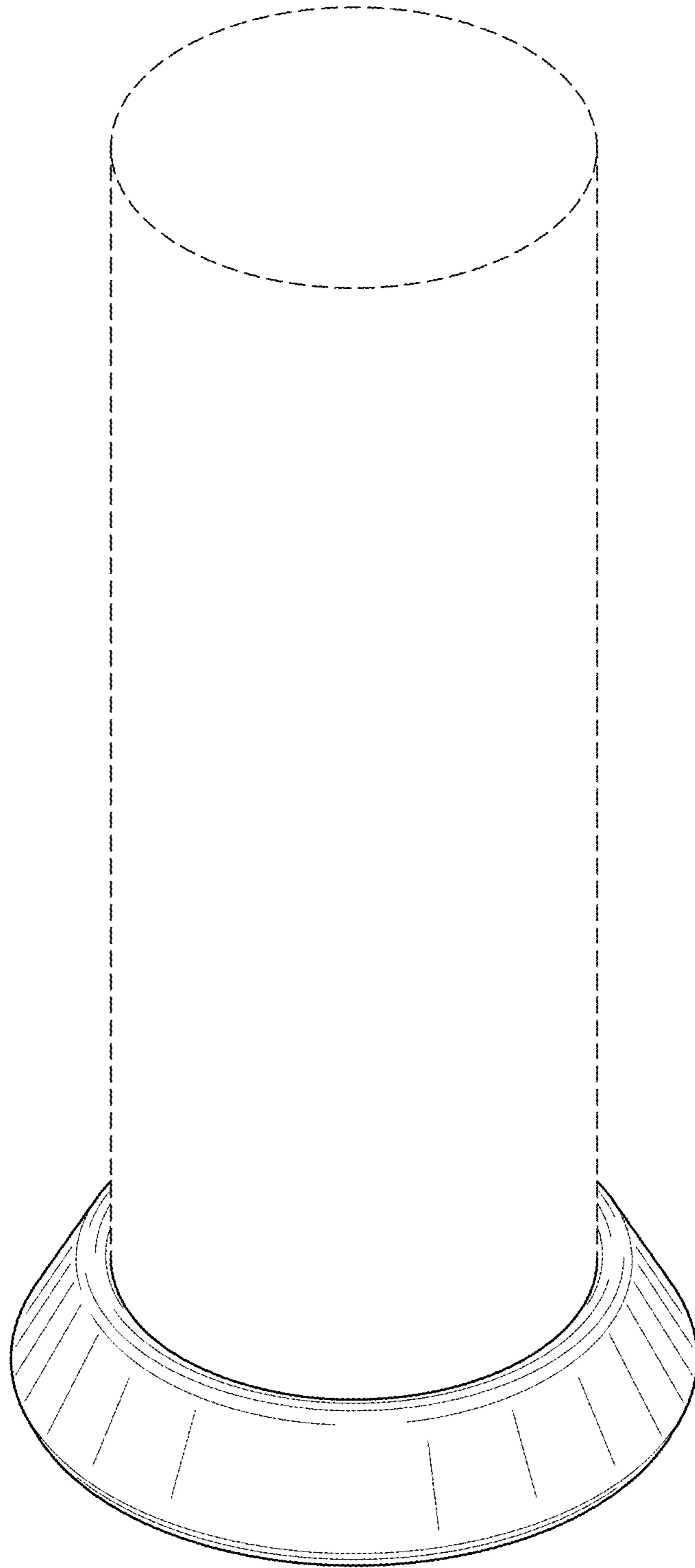


FIG. 8