



US00D776534S

(12) **United States Design Patent**
Stratton

(10) **Patent No.:** **US D776,534 S**
(45) **Date of Patent:** **** Jan. 17, 2017**

(54) **POUR SPOUT**

(71) Applicant: **Container Packaging Systems, LLC,**
Churubusco, IN (US)

(72) Inventor: **Jon Stratton,** Churubusco, IN (US)

(73) Assignee: **CONTAINER PACKAGING**
SYSTEMS, LLC, Churubusco, IN (US)

(**) Term: **15 Years**

(21) Appl. No.: **29/527,908**

(22) Filed: **May 22, 2015**

(51) **LOC (10) Cl.** **09-06**

(52) **U.S. Cl.**
USPC **D9/446; D9/447; D9/449; D7/300.2;**
D7/398

(58) **Field of Classification Search**
USPC **D7/397, 398, 300.2, 510, 511; D23/213;**
D24/110, 110.1; D9/440, 447, 446, 449;
239/33, 310; 220/70; 222/481
CPC **A47G 21/185; A47G 19/2222; A47G**
19/2272
See application file for complete search history.

(56) **References Cited**

U.S. PATENT DOCUMENTS

3,047,195 A	7/1962	Richmond	
3,409,224 A *	11/1968	Harp	A47G 21/186 138/121
4,600,125 A *	7/1986	Maynard, Jr.	B67B 7/28 141/330
4,832,238 A *	5/1989	Taylor	B65D 25/48 141/337
4,852,564 A *	8/1989	Sheridan	A61M 16/04 128/202.27
D310,172 S *	8/1990	Parker	D7/700

D318,427 S *	7/1991	Sherburne, Jr.	215/388
D327,848 S *	7/1992	Hanover	215/388
5,228,487 A	7/1993	Thiermann et al.	
5,335,851 A *	8/1994	Adaska	A47G 21/185 239/33
5,350,091 A *	9/1994	Leete	B65D 25/385 141/337
D364,630 S *	11/1995	Akiona	D15/150

(Continued)

Primary Examiner — Marianne Pandozzi

(74) *Attorney, Agent, or Firm* — Lempia Summerfield
Katz, LLC

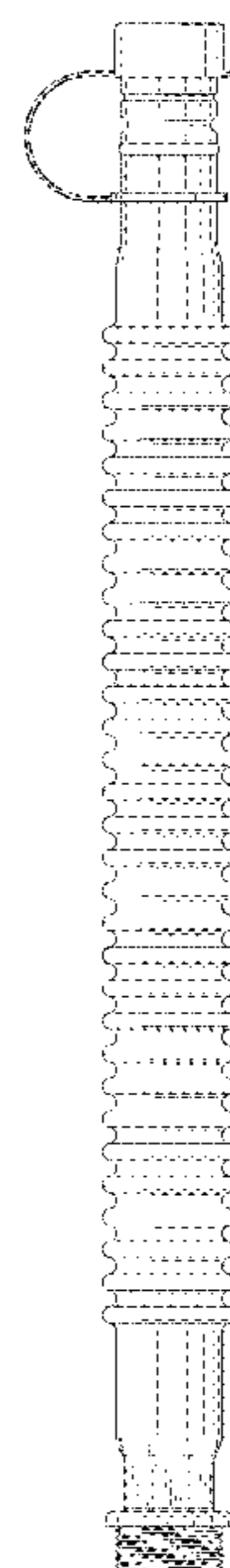
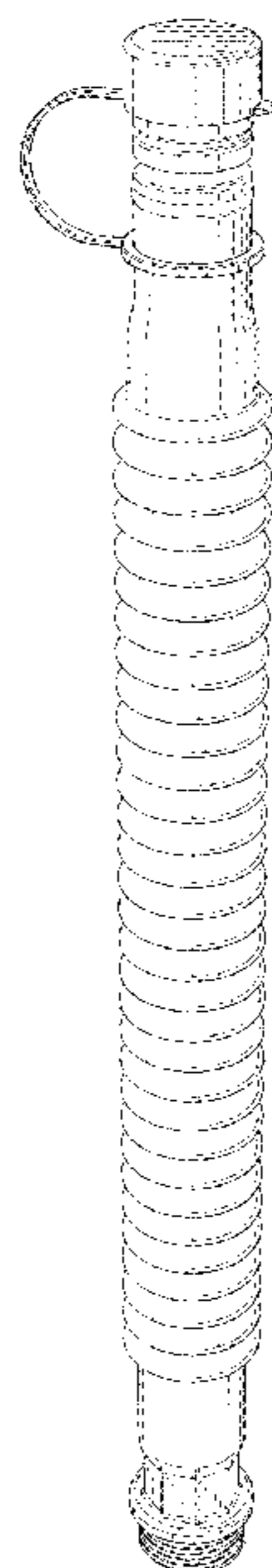
(57) **CLAIM**

The ornamental design for a “pour spout,” as shown and described.

DESCRIPTION

FIG. 1 is a top, front and right side perspective view of my new design for a pour spout.
 FIG. 2 is a right side view of the pour spout of FIG. 1.
 FIG. 3 is a left side view of the pour spout of FIG. 1.
 FIG. 4 is a front view of the pour spout of FIG. 1.
 FIG. 5 is a rear view of the pour spout of FIG. 1.
 FIG. 6 is a top view of the pour spout of FIG. 1.
 FIG. 7 is a bottom view of the pour spout of FIG. 1.
 FIG. 8 is an enlarged cross sectional view taken along line 8-8 of FIG. 7 broken away for ease of illustration;
 FIG. 9 is a perspective view of FIG. 1 with the lid in open position; and,
 FIG. 10 is a top front right side perspective view showing a second embodiment of my new design, all sides being identical to FIGS. 1-9 save the for transparency of the spout tube.

1 Claim, 5 Drawing Sheets



(56)

References Cited

U.S. PATENT DOCUMENTS

5,688,121 A * 11/1997 Davis A61C 17/043
 433/91
 5,711,355 A * 1/1998 Kowalczyk B65D 25/48
 141/290
 5,722,570 A * 3/1998 Sultzer, III B65D 47/063
 222/529
 5,727,734 A * 3/1998 Su B65D 77/283
 215/388
 5,823,422 A * 10/1998 Collier B65D 77/283
 220/707
 5,934,522 A * 8/1999 Canela B65D 25/44
 141/337
 6,250,487 B1 * 6/2001 Tebeau A61J 9/00
 215/11.1
 6,402,214 B1 * 6/2002 Weiner A47G 21/103
 294/99.2
 D466,607 S * 12/2002 Cise D24/110
 D469,307 S * 1/2003 Lipson D7/507

D476,731 S * 7/2003 Cise D24/110
 D486,909 S * 2/2004 Cise D24/110
 D575,570 S * 8/2008 Antonelli D7/300.2
 7,624,899 B1 * 12/2009 Barksdale B65D 51/18
 215/43
 D643,053 S * 8/2011 Langlois D15/144
 8,091,798 B2 * 1/2012 Bonds A47G 21/185
 239/12
 D664,250 S * 7/2012 Scheiner D24/110.1
 D667,530 S * 9/2012 Wyne D23/213
 D672,239 S * 12/2012 Barksdale D9/447
 D679,535 S * 4/2013 Campbell D7/300.2
 D698,415 S * 1/2014 Wyne D23/213
 D699,320 S * 2/2014 Wyne D23/213
 8,727,187 B2 * 5/2014 Magley, II B65D 47/32
 222/481.5
 8,910,883 B2 * 12/2014 Mattheus A47G 21/18
 239/33
 D736,907 S * 8/2015 McCracken D24/110
 2009/0241961 A1 * 10/2009 McAuley A61M 16/06
 128/205.25

* cited by examiner

FIG. 1

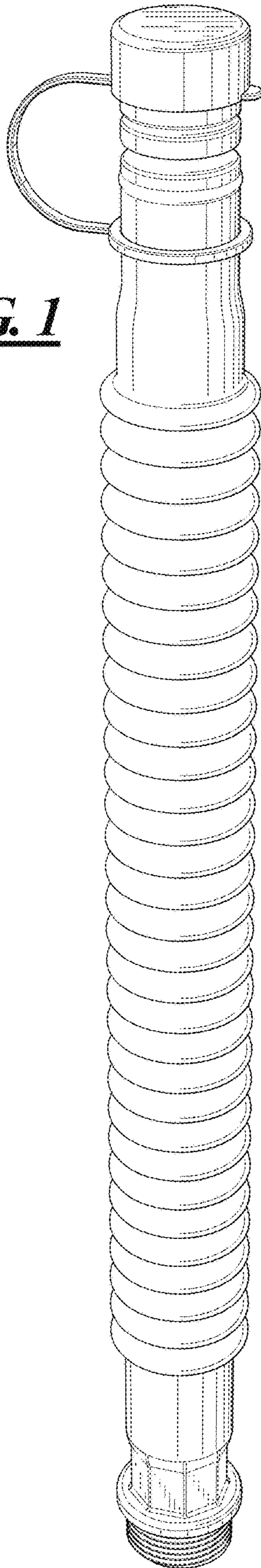


FIG. 2

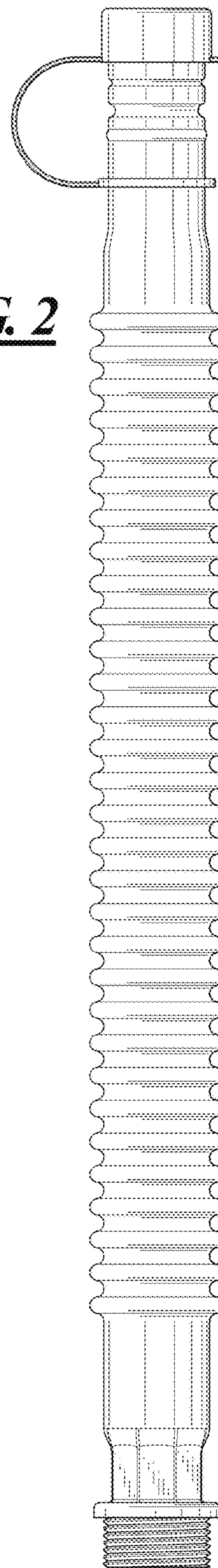


FIG. 3

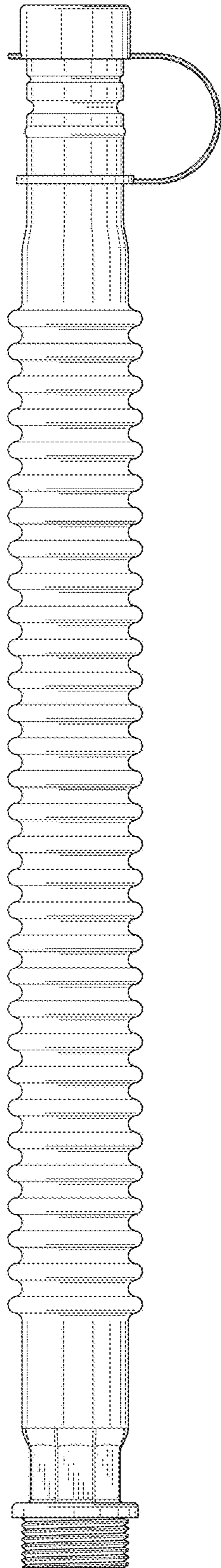
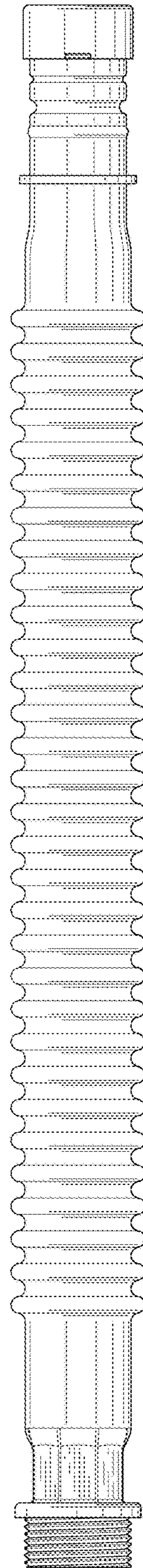


FIG. 4



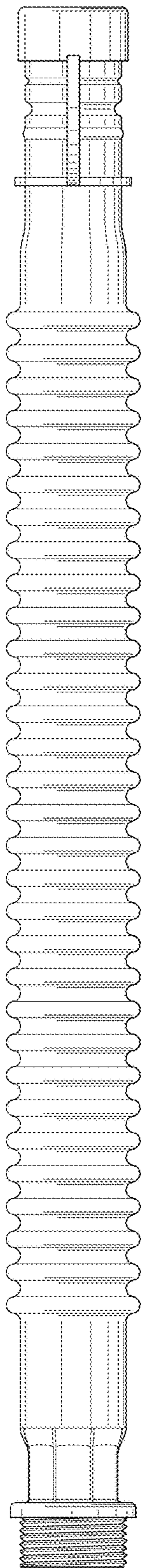


FIG. 5

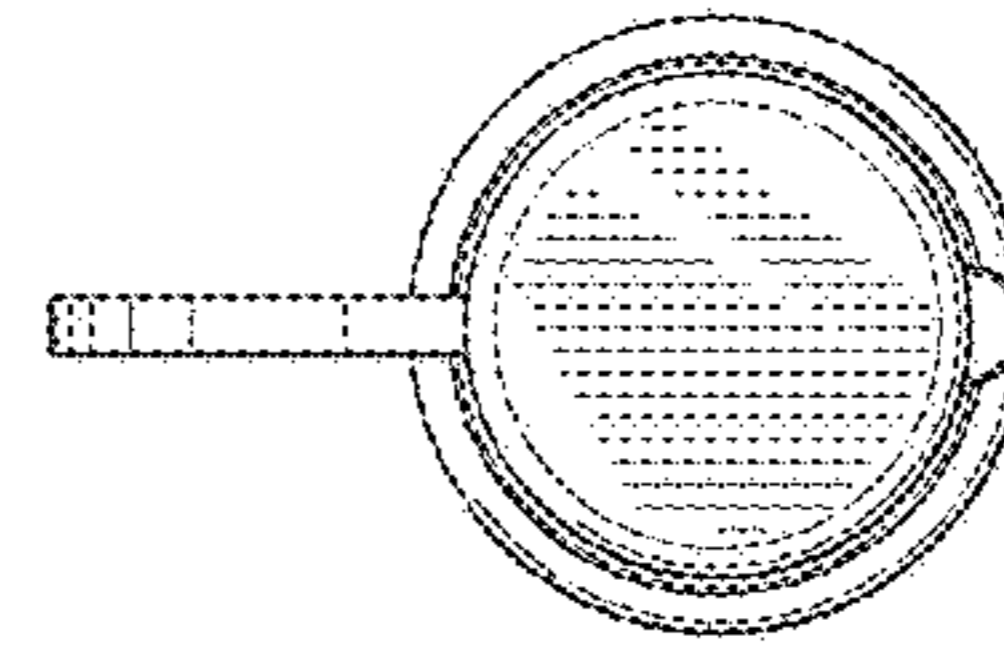


FIG. 6

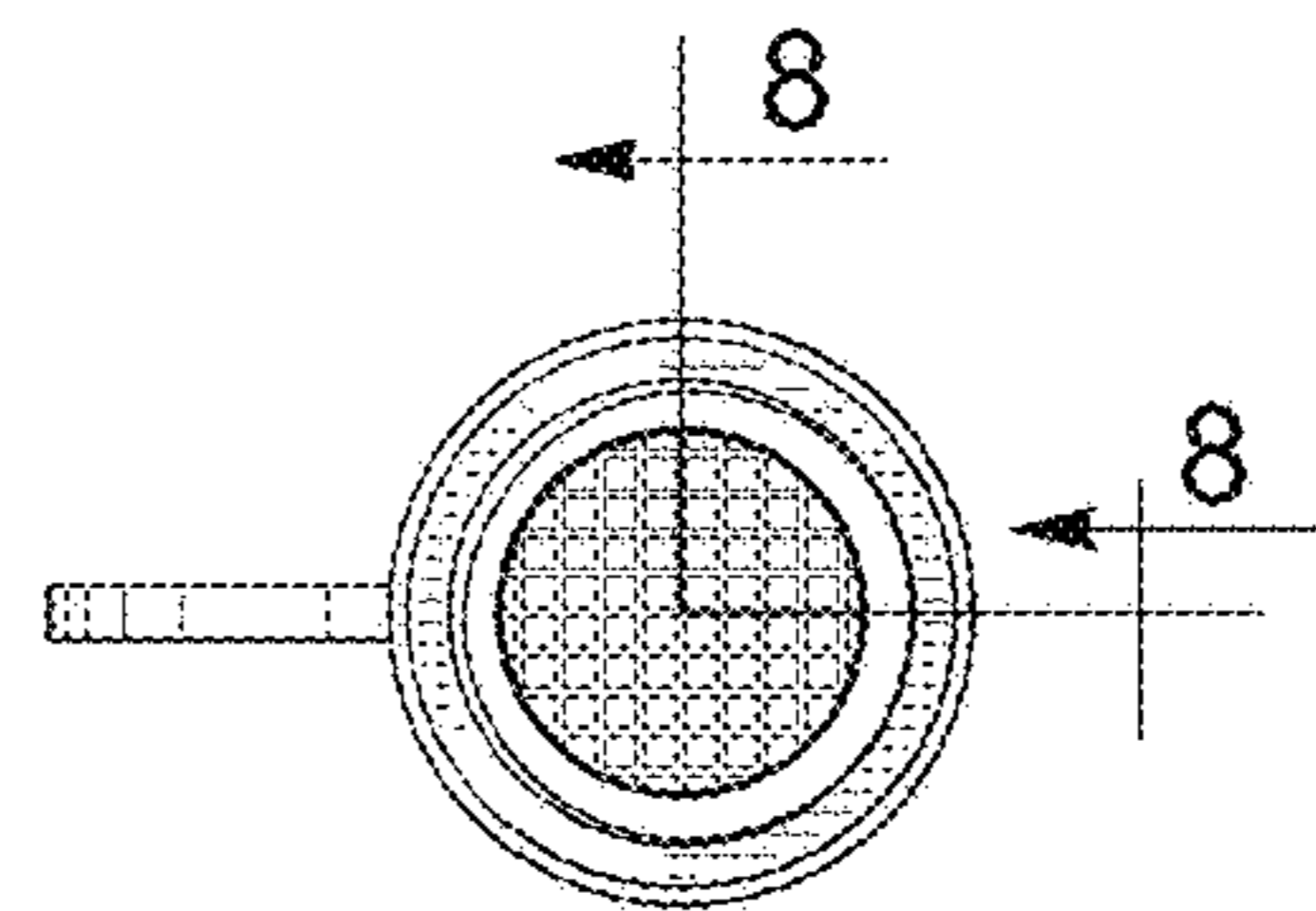


FIG. 7

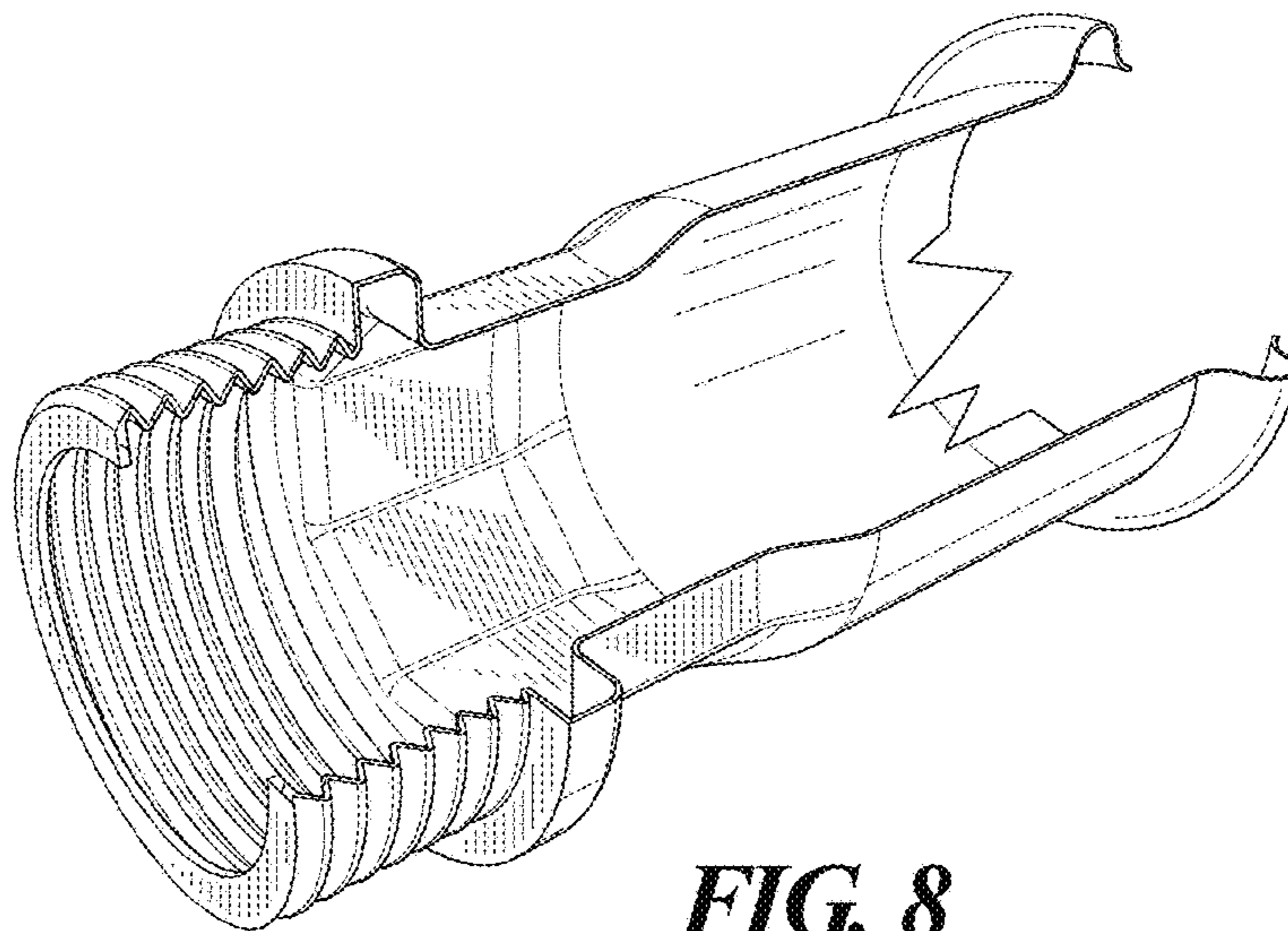


FIG. 8

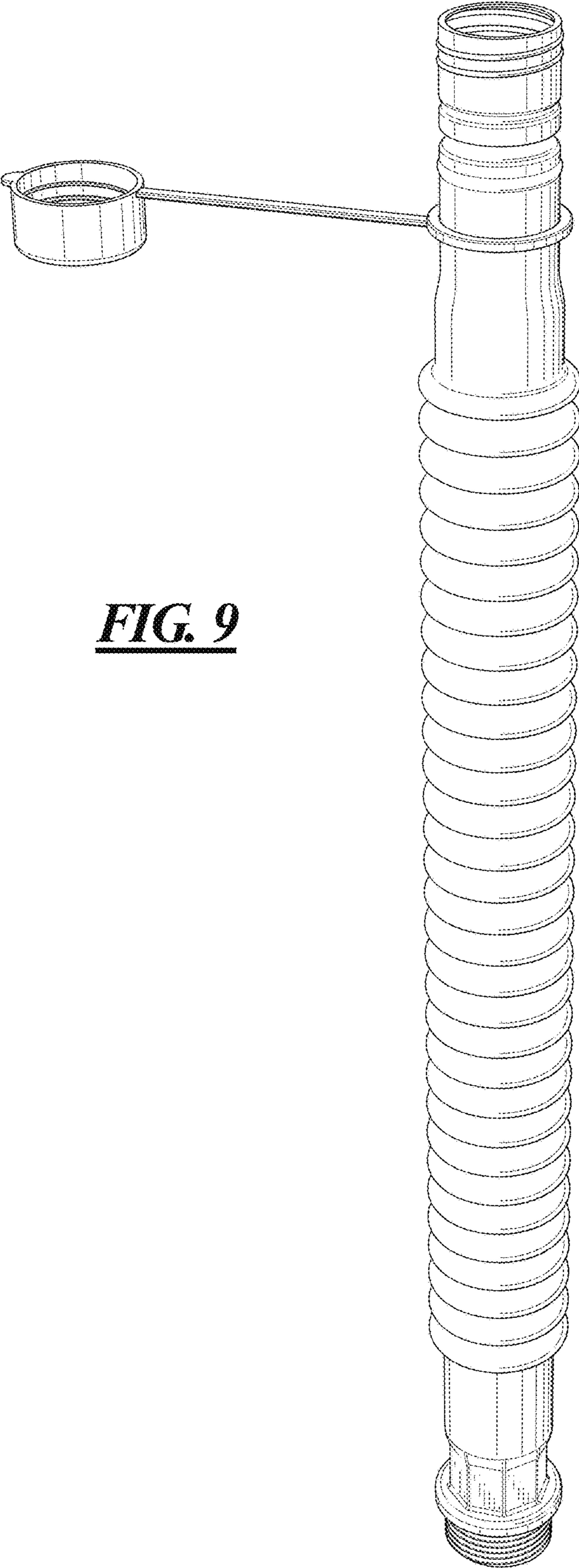


FIG. 9

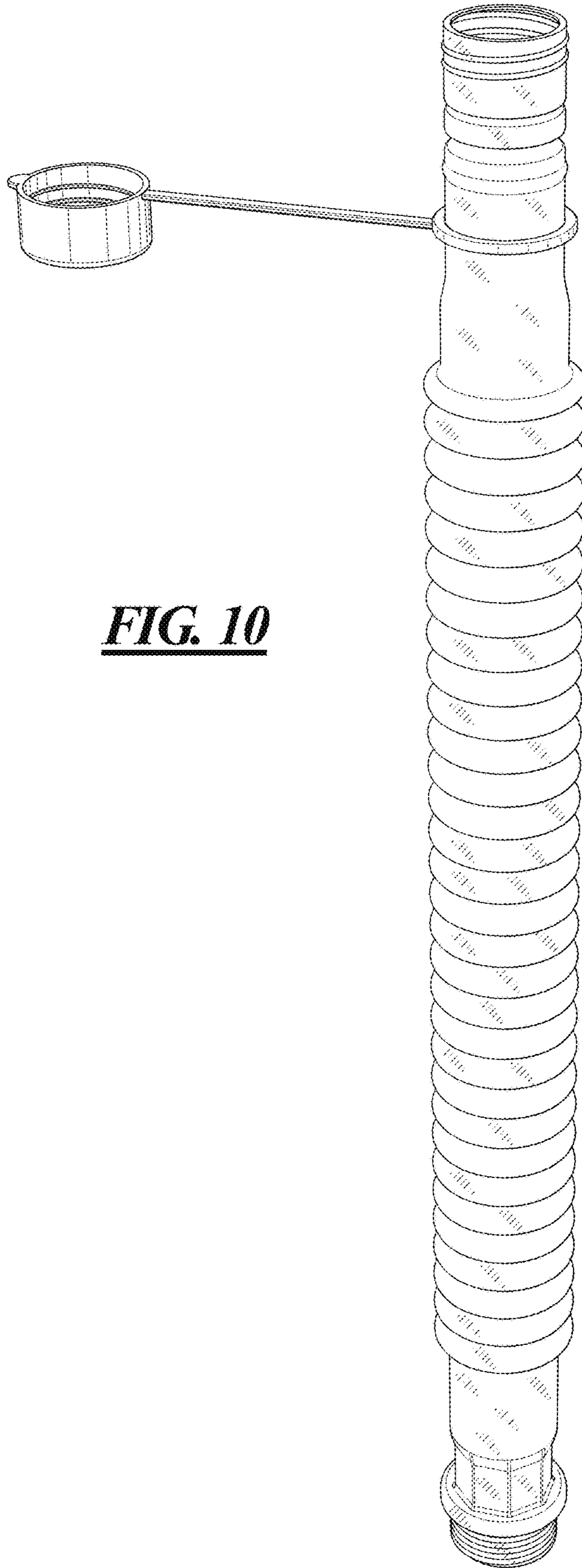


FIG. 10