



US00D776533S

(12) **United States Design Patent**
Kikel

(10) **Patent No.:** **US D776,533 S**

(45) **Date of Patent:** **** Jan. 17, 2017**

(54) **REUSABLE SEALING BOTTLE CAP ASSEMBLY**

(71) Applicant: **Christopher Raymond Kikel**,
Pittsburgh, PA (US)

(72) Inventor: **Christopher Raymond Kikel**,
Pittsburgh, PA (US)

(**) Term: **15 Years**

(21) Appl. No.: **29/505,201**

(22) Filed: **Jul. 21, 2015**

(51) **LOC (10) Cl.** **09-06**

(52) **U.S. Cl.**
USPC **D9/446**

(58) **Field of Classification Search**
USPC D9/429, 434, 435, 443-450, 452, 454,
D9/499, 553, 554, 559, 561; D7/387, 392,
D7/393, 396.2, 396.4, 509, 510, 511, 514;
D3/202, 203.2, 223, 264, 294, 304, 318
CPC A61J 1/00; A61J 1/1412; B65D 1/00;
B65D 1/02; B65D 1/10; B65D
1/46; B65D 2585/56; B65D
2585/545; B65D 41/00; B65D
41/56; B65D 41/62; B65D 47/06; B65D
47/08; B65D 2543/00046

See application file for complete search history.

(56) **References Cited**

U.S. PATENT DOCUMENTS

- 2,789,717 A * 4/1957 Demke B65D 55/16
215/235
- 2,814,405 A * 11/1957 Edwards B65D 45/322
215/253
- D193,121 S * 6/1962 Wickman D9/446
- 3,080,991 A 3/1963 Fox
- 3,145,872 A * 8/1964 Hayes B65D 47/148
220/375
- D206,294 S * 11/1966 Paris D9/436

- 3,407,956 A * 10/1968 Linkletter B65D 45/322
215/272
- 3,434,620 A * 3/1969 Laurizio B65D 39/084
220/258.2
- 3,612,322 A * 10/1971 Linkletter B65D 50/065
215/225
- 3,750,820 A * 8/1973 Labarre B65D 41/325
215/253
- 3,832,738 A * 9/1974 Kliemann A61B 10/007
220/375
- 3,931,904 A * 1/1976 Coop B65D 41/42
215/254
- 3,976,215 A * 8/1976 Smalley B65D 53/00
215/253
- 4,002,260 A * 1/1977 Coop B65D 41/12
215/305

(Continued)

Primary Examiner — Karen S Acker

Assistant Examiner — Wendy Arminio

(74) *Attorney, Agent, or Firm* — Suzanne Kikel, Patent Agent

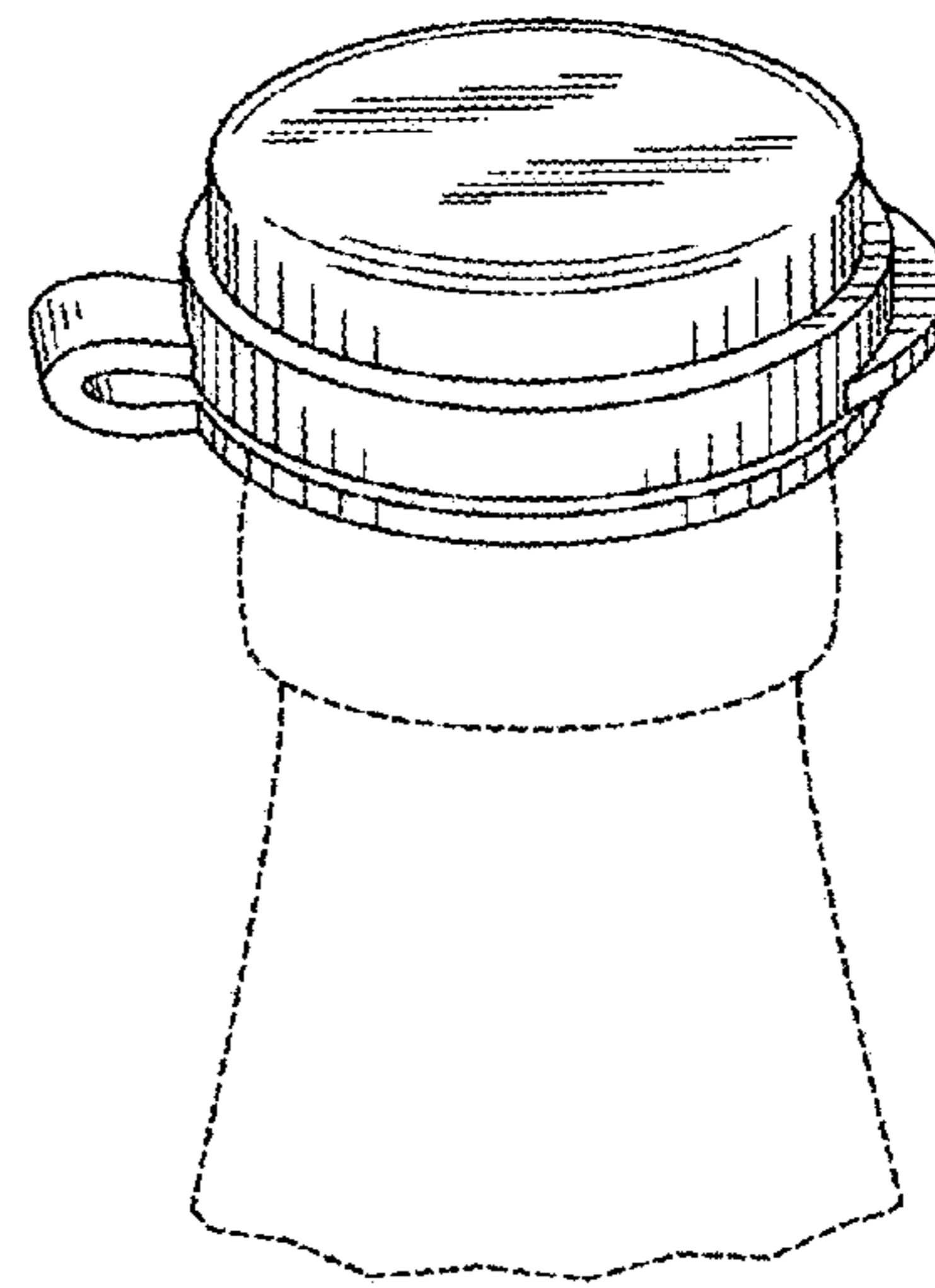
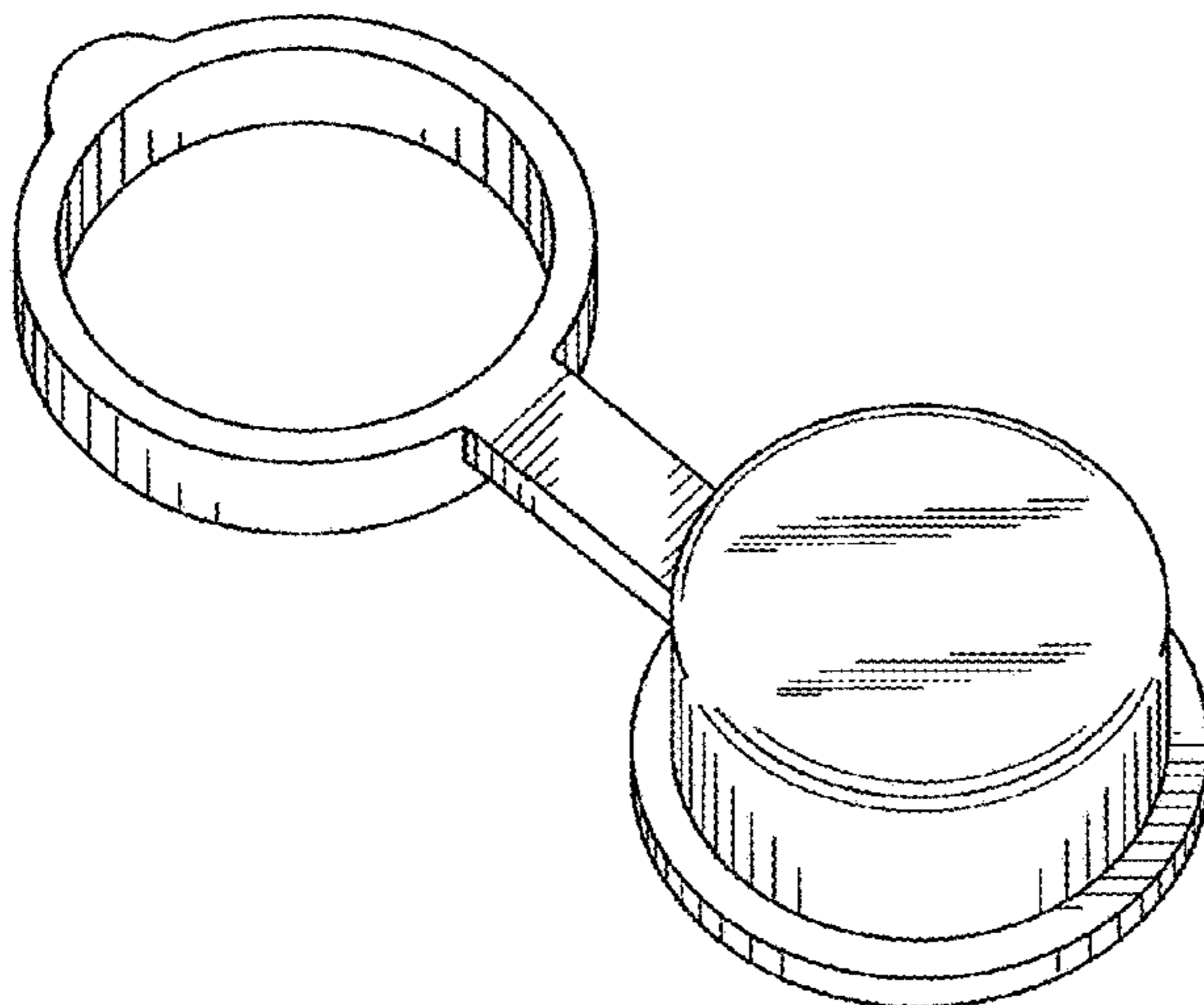
(57) **CLAIM**

The ornamental design for a reusable sealing bottle cap assembly, as shown and described.

DESCRIPTION

FIG. 1 is a perspective view of a reusable sealing bottle cap assembly in an inoperative position.
 FIG. 2 is a top plan view thereof.
 FIG. 3 is a bottom plan view thereof.
 FIG. 4 is a right side elevational view thereof.
 FIG. 5 is a left side elevational view thereof.
 FIG. 6 is a front elevational view thereof.
 FIG. 7 is a rear elevational view thereof.
 FIG. 8 is a bottom perspective view thereof; and,
 FIG. 9 is a perspective view of the reusable sealing bottle cap assembly in an operative position on a bottle.
 The broken lines in FIG. 9 depict environment that forms no part of the claimed design.

1 Claim, 3 Drawing Sheets



(56)

References Cited

U.S. PATENT DOCUMENTS

4,073,399 A * 2/1978 Lewis B65D 41/44
215/253
4,429,800 A * 2/1984 Greenspan B65D 50/045
215/216
5,163,571 A 11/1992 Morini
D353,328 S * 12/1994 Nuffer D9/445
D404,646 S * 1/1999 Black, Sr. D9/440
D613,599 S * 4/2010 Khubani D9/446
D643,722 S * 8/2011 Gorskey D9/439
D676,318 S * 2/2013 MacNeill D9/446
D676,745 S * 2/2013 MacNeill D9/443
D693,650 S * 11/2013 De Leo D7/629
D753,998 S * 4/2016 Murphey D9/446
2009/0028999 A1 1/2009 Melisch et al.
2012/0247607 A1* 10/2012 MacNeill F16L 55/115
138/96 R
2016/0023812 A1* 1/2016 Kikel G06K 19/07758
235/492

* cited by examiner

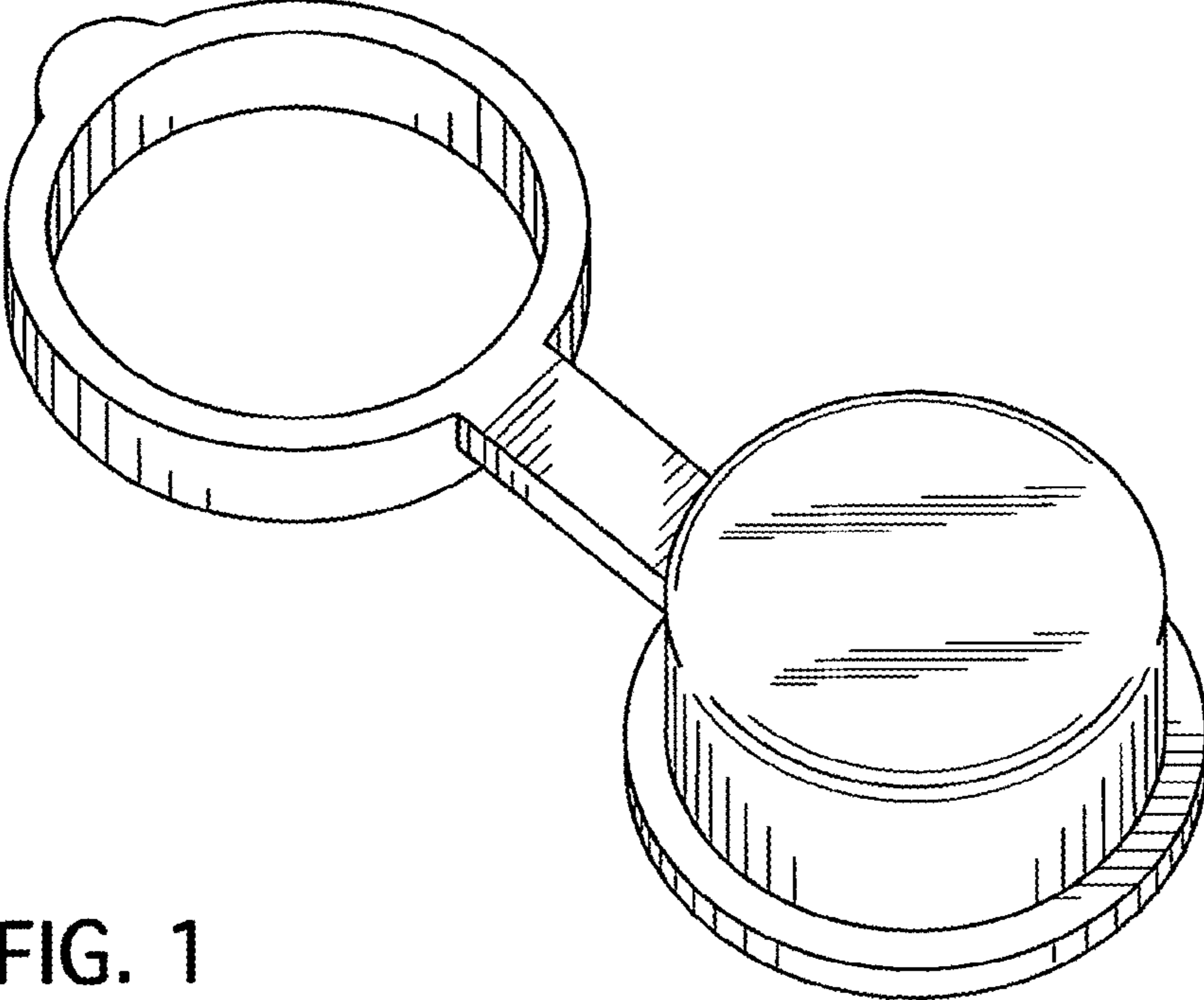


FIG. 1

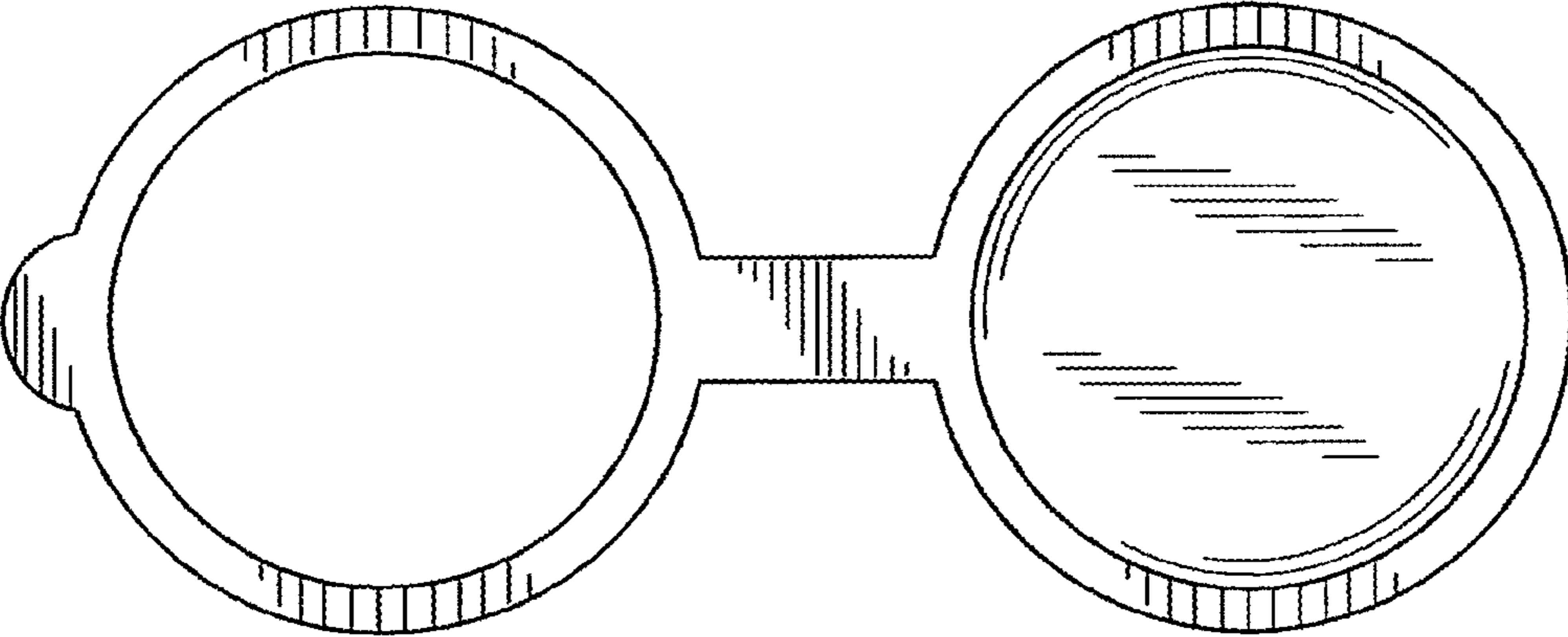


FIG. 2

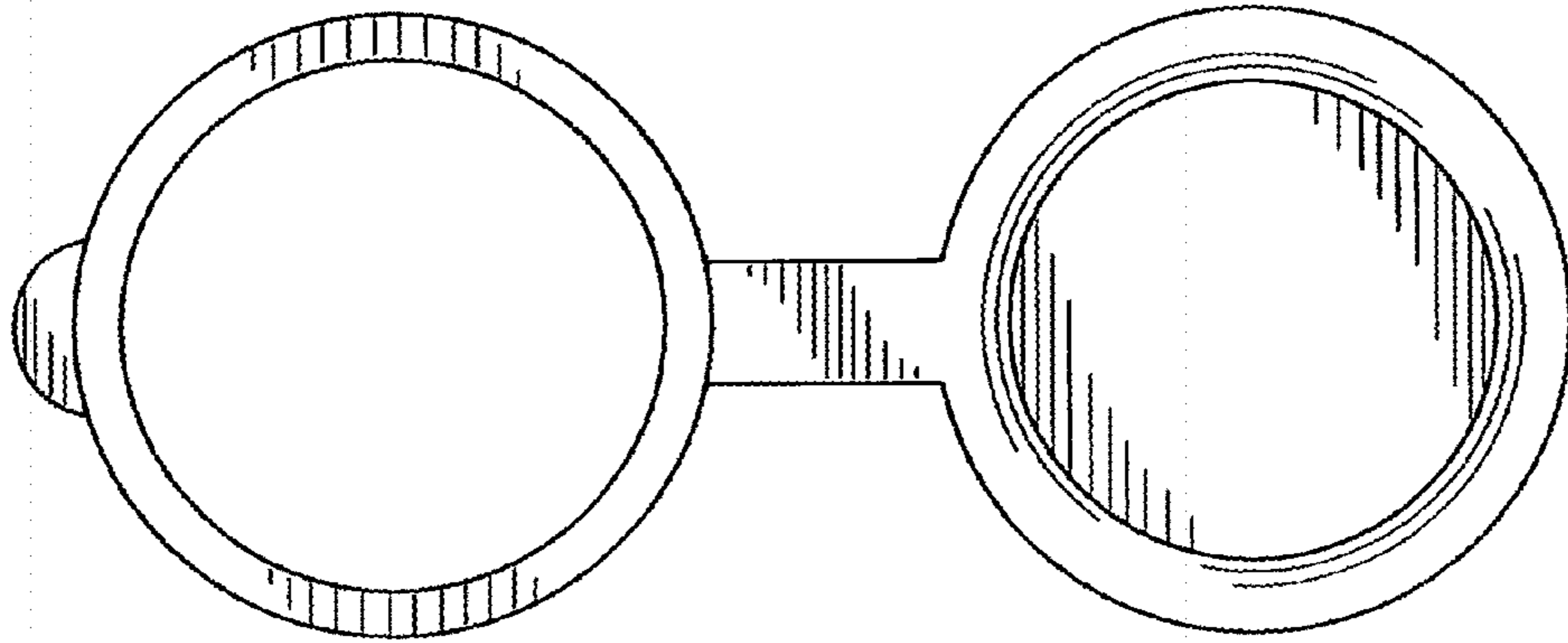


FIG. 3

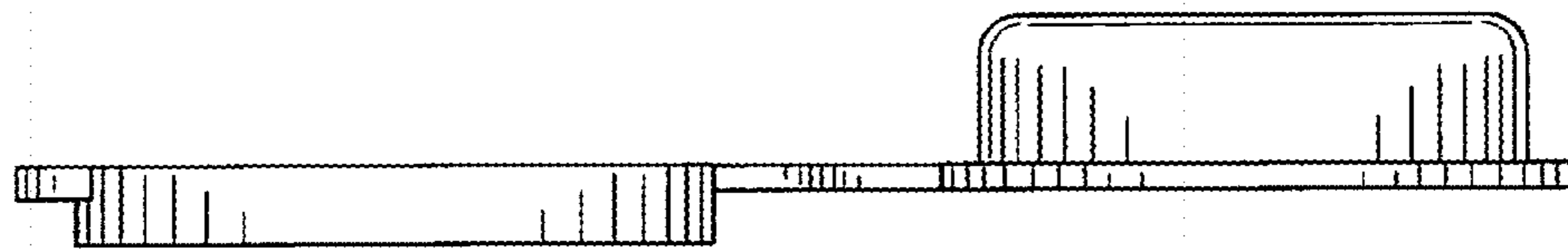


FIG. 4

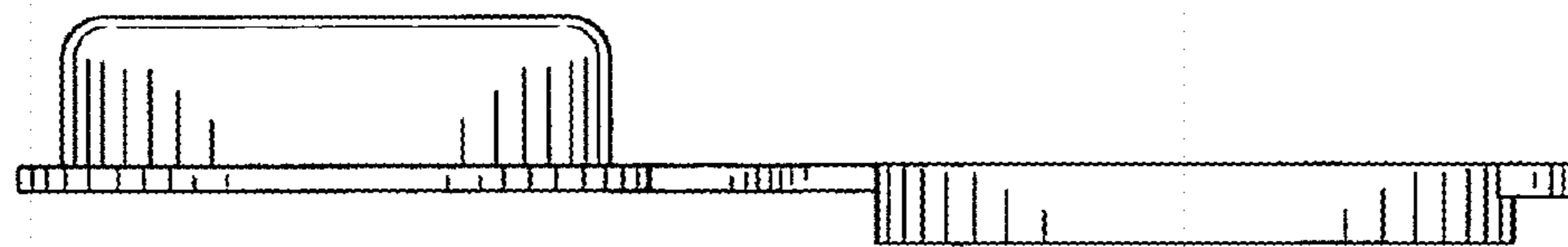


FIG. 5

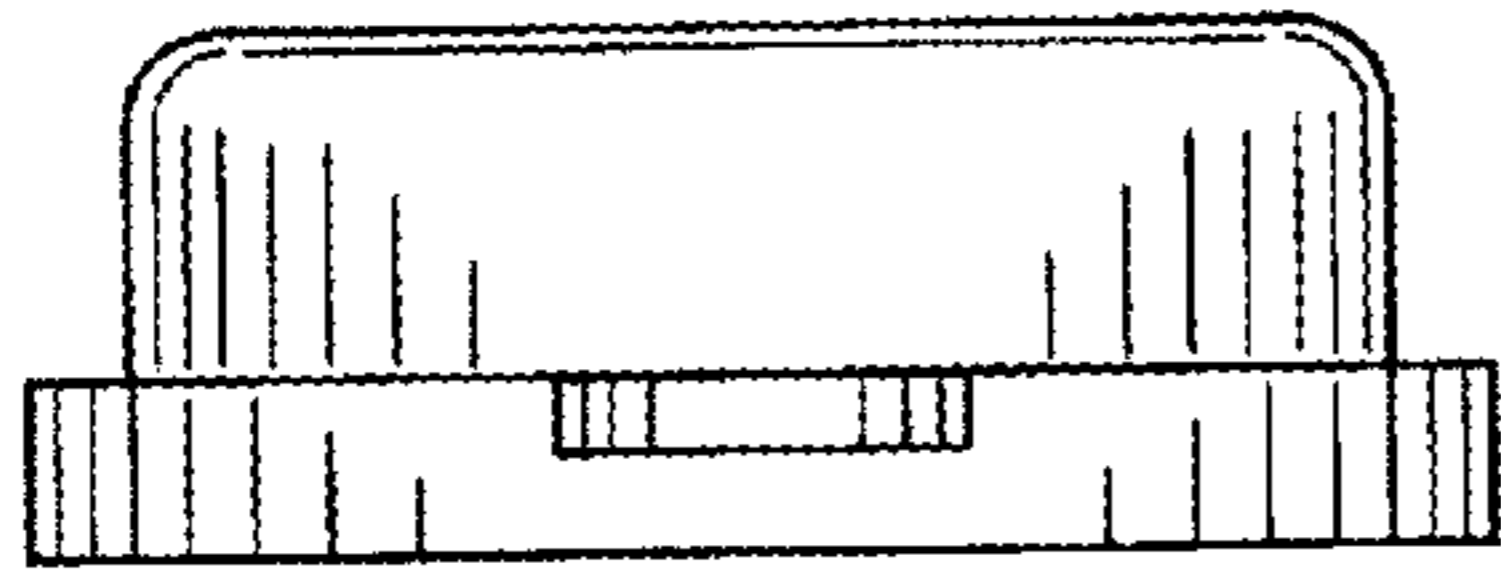


FIG. 6

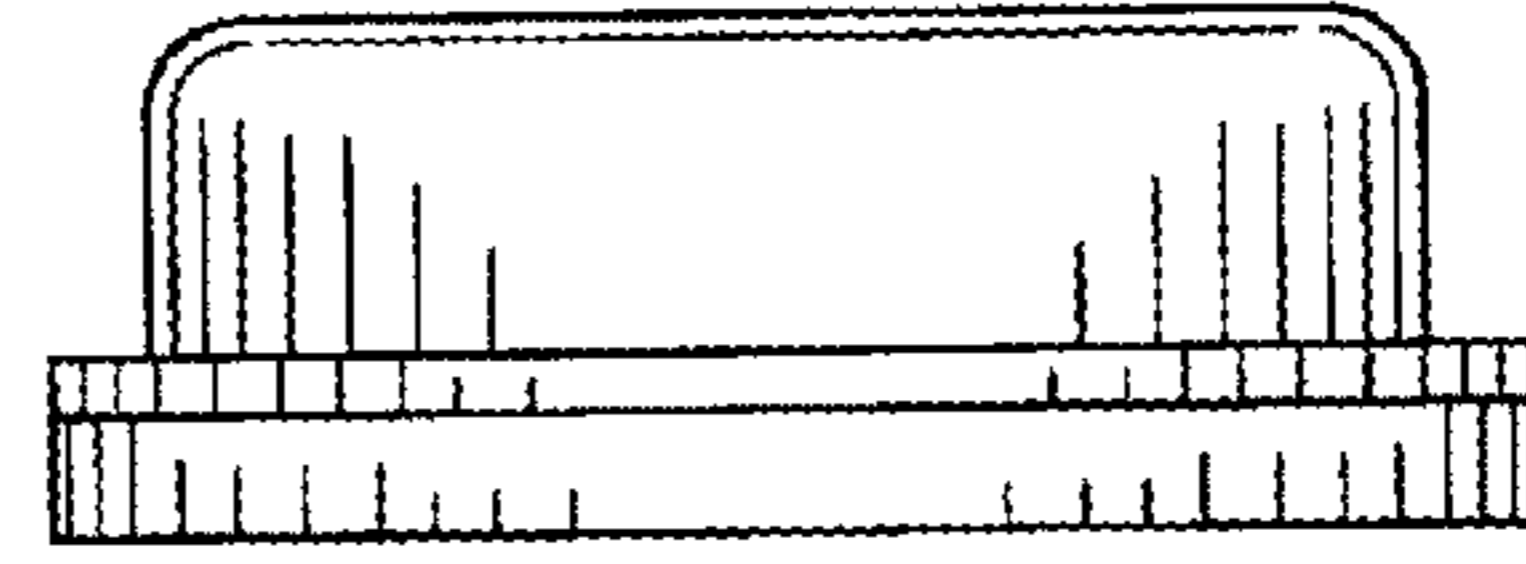


FIG. 7

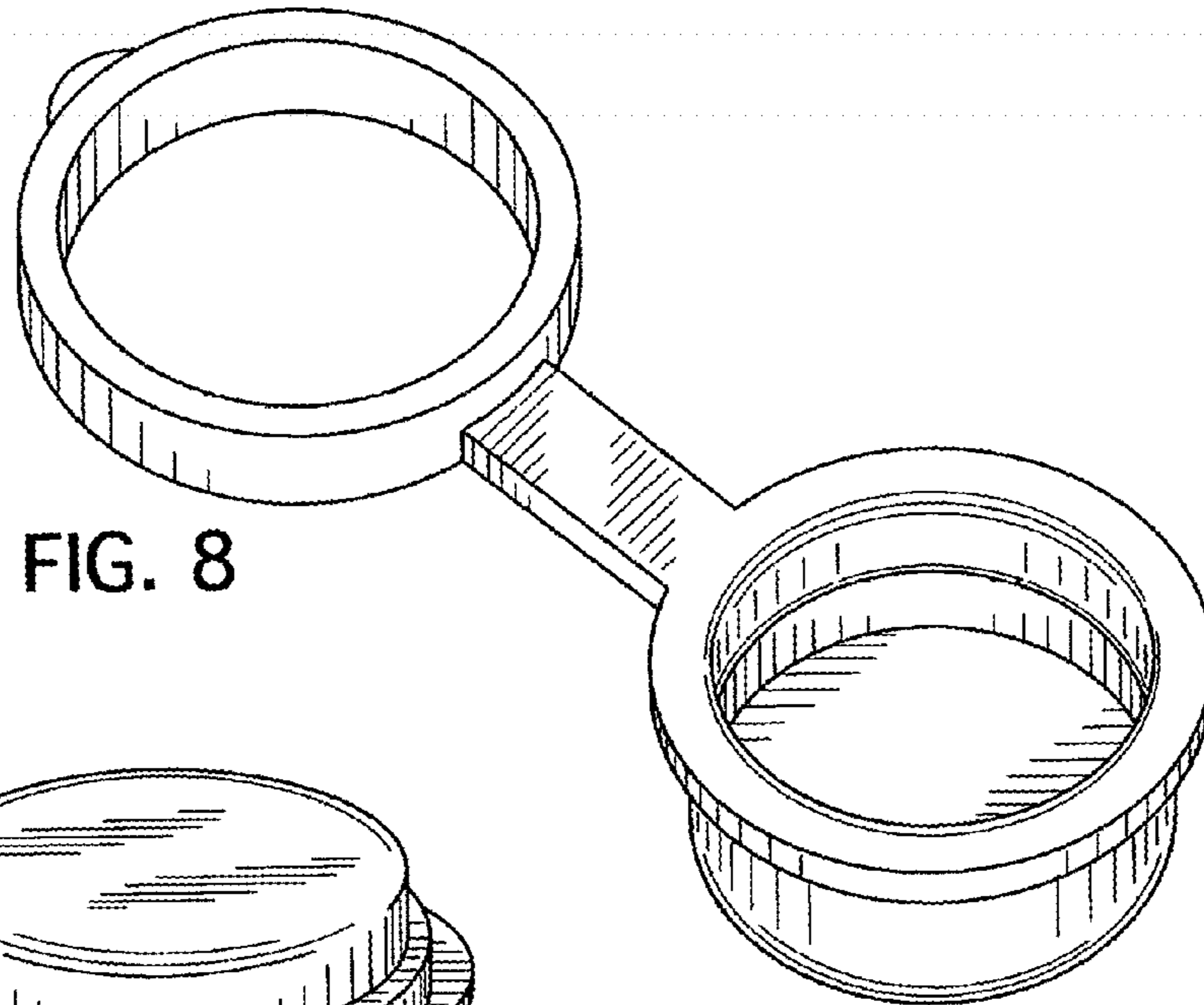


FIG. 8

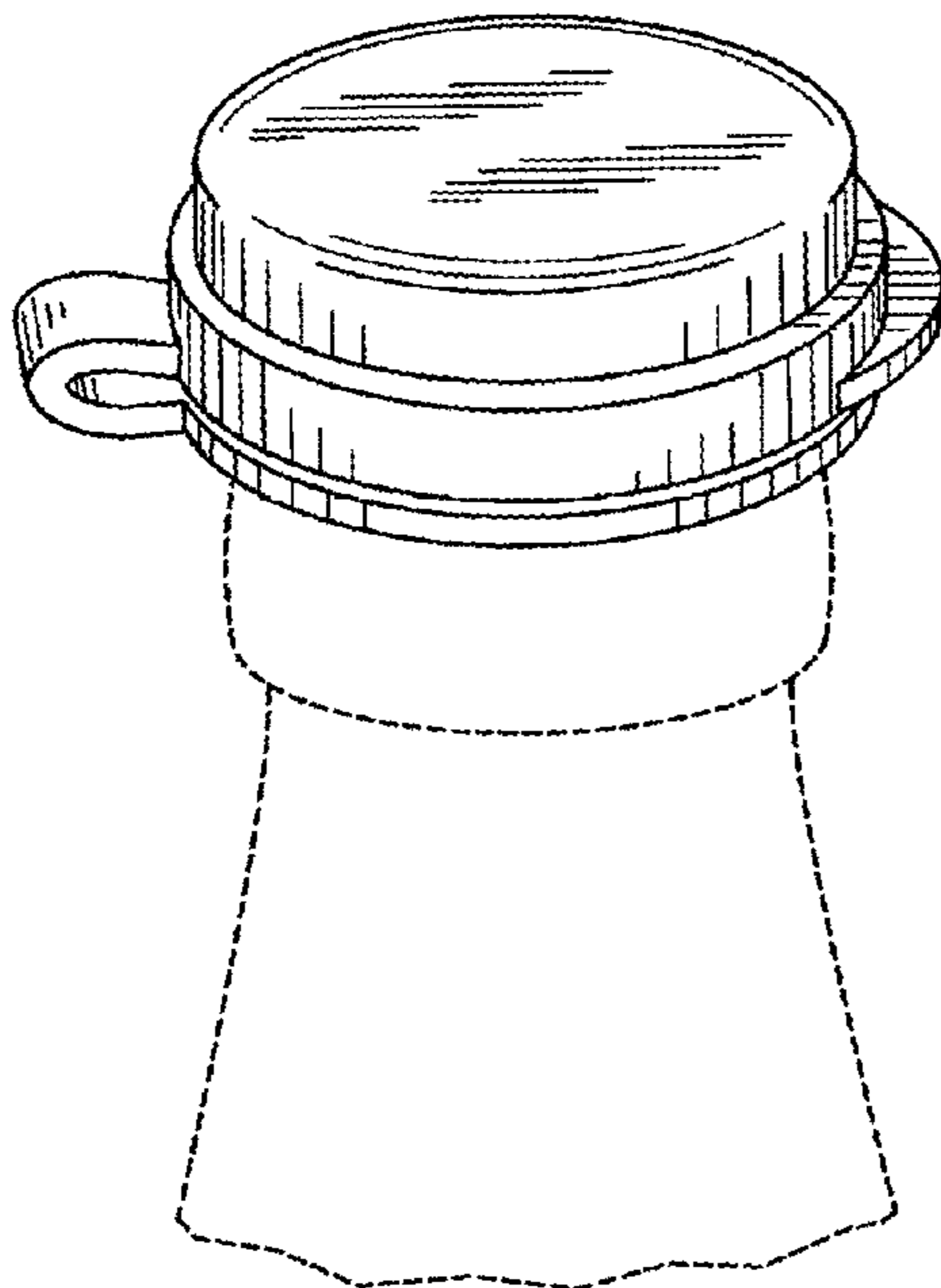


FIG. 9