



US00D776532S

(12) **United States Design Patent**
Magley

(10) **Patent No.:** **US D776,532 S**
(45) **Date of Patent:** **** Jan. 17, 2017**

- (54) **FLUID DELIVERY NOZZLE**
- (71) Applicant: **Robert Magley**, Waterloo, IN (US)
- (72) Inventor: **Robert Magley**, Waterloo, IN (US)
- (**) Term: **15 Years**
- (21) Appl. No.: **29/561,922**
- (22) Filed: **Apr. 21, 2016**

Related U.S. Application Data

- (63) Continuation-in-part of application No. 29/527,740, filed on May 21, 2015, now Pat. No. Des. 766,719.
- (51) **LOC (10) Cl.** **09-07**
- (52) **U.S. Cl.**
USPC **D9/442**
- (58) **Field of Classification Search**
USPC D9/429, 434-436, 439-454, 499, 600, D9/601, 614-617, 620, 623, 624, 628; D7/387, D7/392, 393, 396.2, 510, 511, D7/514-517, 598, 599, 612.2, 623, 628; D3/202, 294, 318
CPC A61J 1/1412; B65D 1/02; B65D 1/323; B65D 1/0246; B65D 25/40; B65D 25/42; B65D 25/44; B65D 41/56; B65D 41/62; B65D 47/06; B65D 47/08
See application file for complete search history.

(56) **References Cited**

U.S. PATENT DOCUMENTS

- 2,143,960 A * 1/1939 Stalter B29D 23/18 138/110
- D209,871 S * 1/1968 Grebow D9/447
- 3,388,705 A * 6/1968 Grosshandler A61M 16/0463 128/207.14
- 4,426,027 A * 1/1984 Maynard, Jr. B65D 47/063 222/529
- D283,313 S * 4/1986 Taylor D9/447

- 4,583,668 A * 4/1986 Maynard, Jr. B65D 25/48 141/367
- 4,593,690 A * 6/1986 Sheridan A61M 16/04 128/204.18
- 4,600,125 A * 7/1986 Maynard, Jr. B67B 7/28 141/330
- D298,015 S * 10/1988 Gendron D9/447
- 4,832,238 A * 5/1989 Taylor B65D 25/48 141/337
- 4,852,564 A * 8/1989 Sheridan A61M 16/04 128/202.27
- 4,921,147 A * 5/1990 Poirier B65D 25/44 138/121
- D310,172 S * 8/1990 Parker D7/700
- 5,020,702 A * 6/1991 James B67D 3/047 141/337
- D364,630 S * 11/1995 Akiona D15/150
- 5,476,630 A * 12/1995 Orsing A61C 17/043 264/150

(Continued)

Primary Examiner — Karen S Acker
Assistant Examiner — Wendy Arminio
(74) *Attorney, Agent, or Firm* — Taylor IP, P.C.

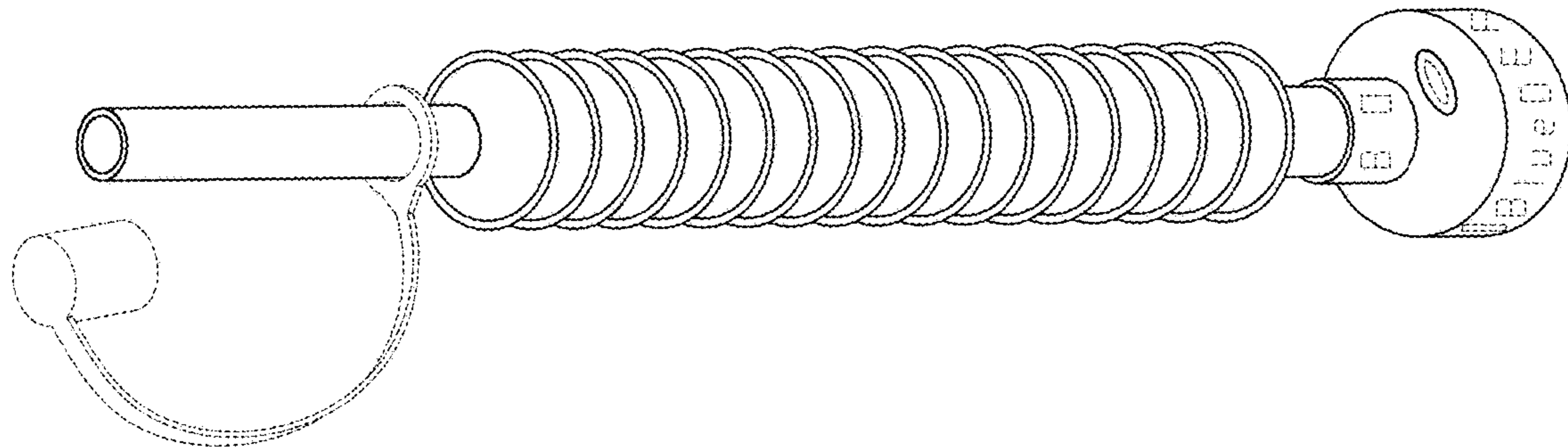
(57) **CLAIM**

The ornamental design for a fluid delivery nozzle, as shown and described.

DESCRIPTION

FIG. 1 is a top, front and left side perspective view of a fluid delivery nozzle showing my new design with the top side rotated slightly toward the viewer; FIG. 2 is a front view thereof; FIG. 3 is a top view thereof; FIG. 4 is a bottom view thereof; FIG. 5 is a rear view thereof, shown rotated 180 degrees in a top-down position; FIG. 6 is a left side view thereof; and, FIG. 7 is a right side view thereof. The broken lines in the drawings depict portions of the fluid delivery nozzle that form no part of the claimed invention.

1 Claim, 3 Drawing Sheets



(56)

References Cited

U.S. PATENT DOCUMENTS

5,934,522	A *	8/1999	Canela	B65D 25/44 141/337
6,340,038	B1 *	1/2002	Ingram	B67C 11/02 141/333
7,044,342	B2 *	5/2006	Carlton	B67D 7/005 222/481.5
7,624,899	B1 *	12/2009	Barksdale	B65D 51/18 215/43
D667,530	S *	9/2012	Wyne	D23/213
D672,239	S *	12/2012	Barksdale	D9/447
2013/0299522	A1 *	11/2013	Magley, II	B65D 47/32 222/481.5

* cited by examiner

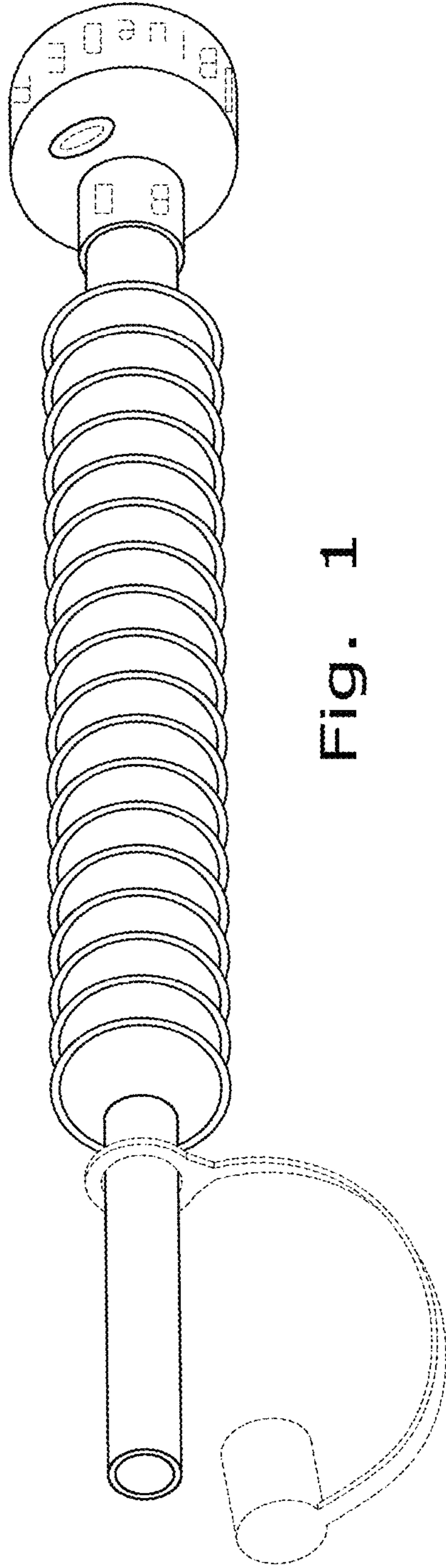


Fig. 1

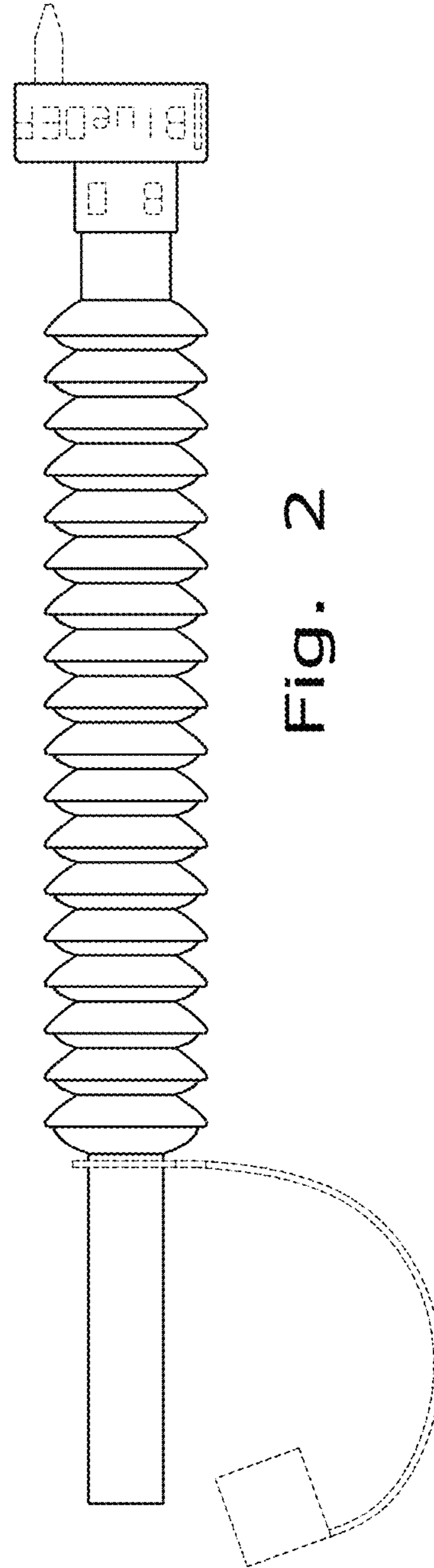


Fig. 2

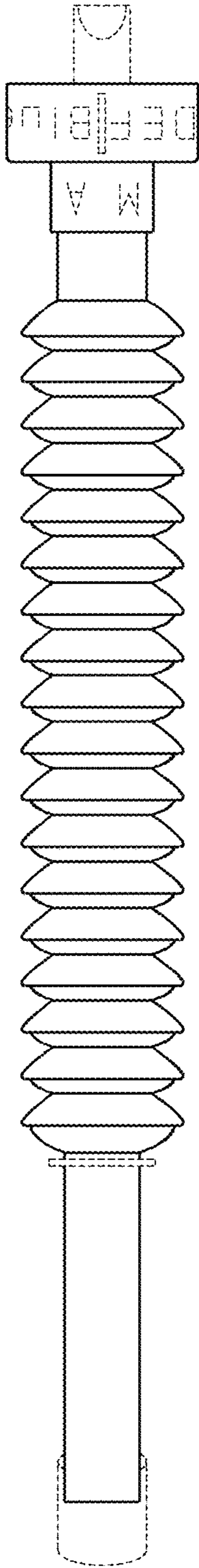


Fig. 3

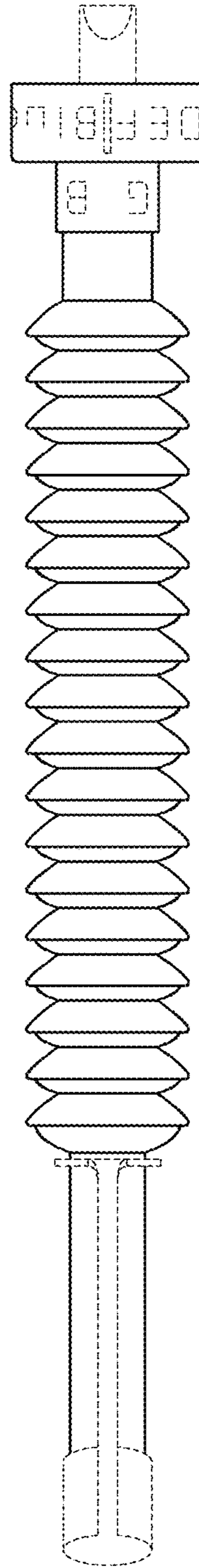


Fig. 4

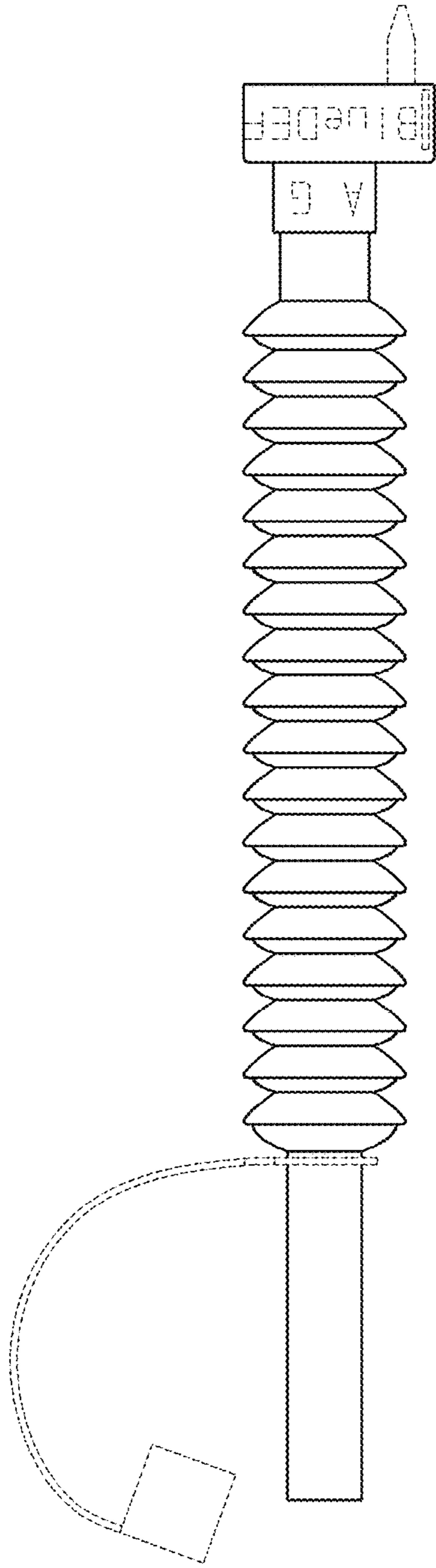


Fig. 5

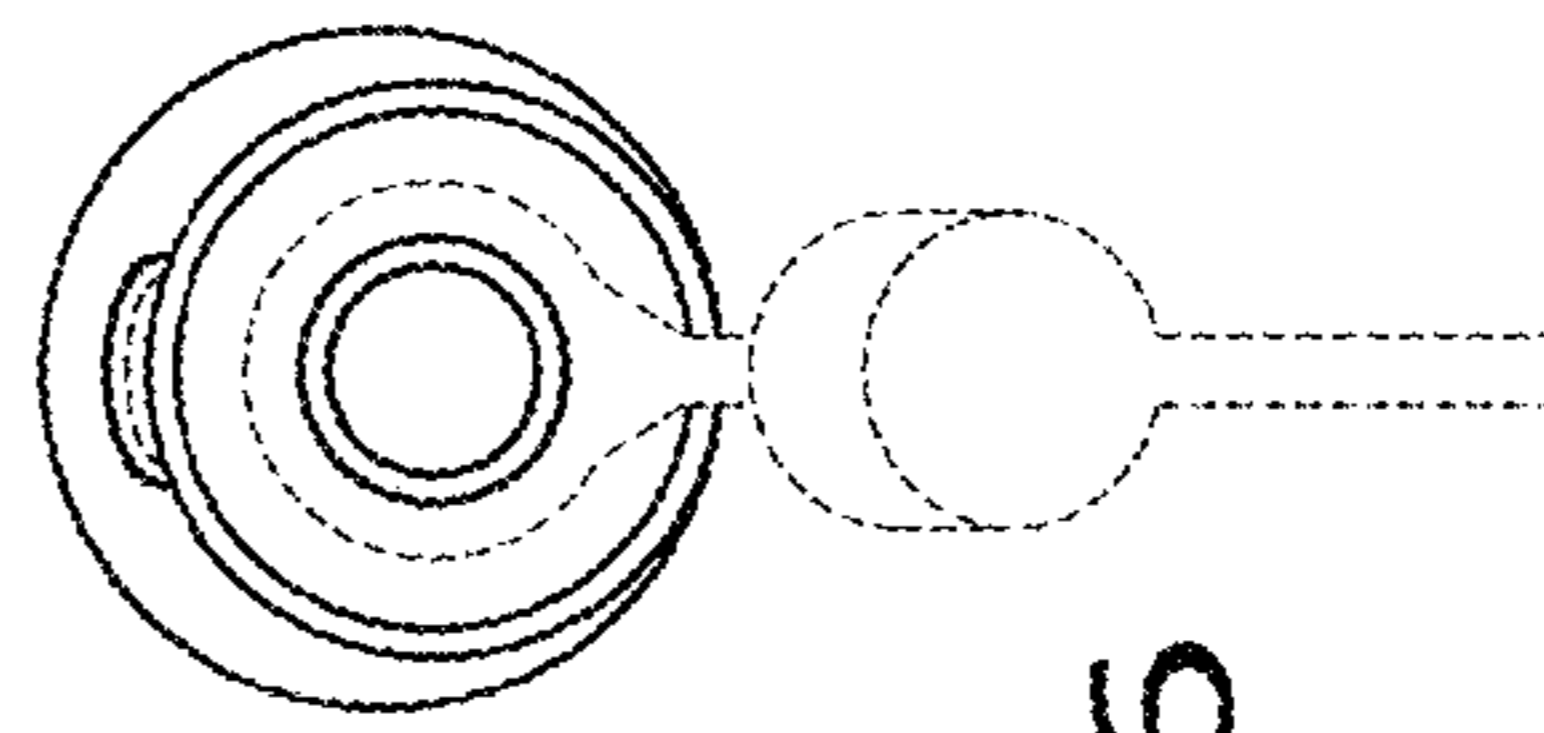


Fig. 6

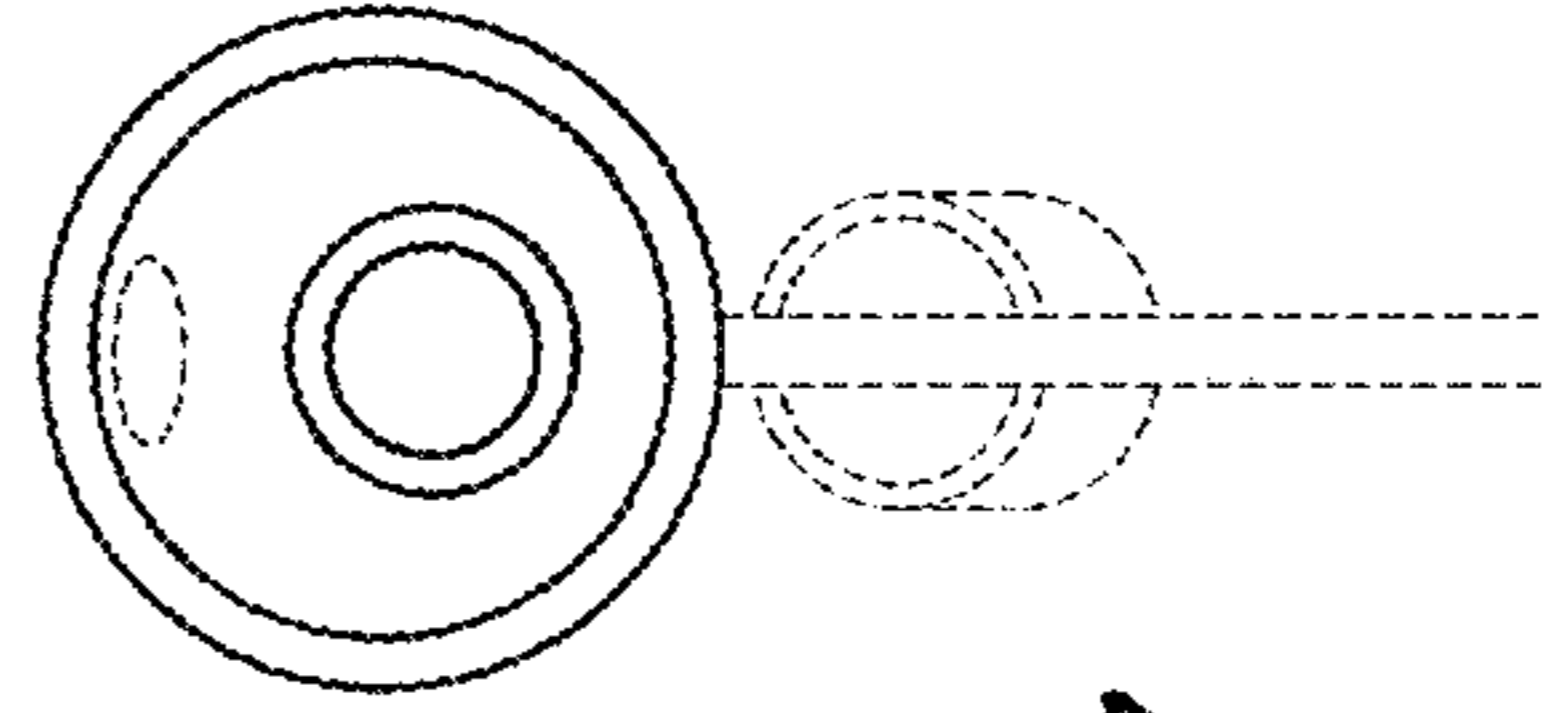


Fig. 7