



US00D776530S

(12) **United States Design Patent**  
**Ramsey**

(10) **Patent No.:** **US D776,530 S**

(45) **Date of Patent:** **\*\* Jan. 17, 2017**

(54) **CAN END**

(71) Applicant: **CROWN Packaging Technology, Inc.**,  
Alsip, IL (US)

(72) Inventor: **Christopher Paul Ramsey**, Wantage  
(GB)

(73) Assignee: **Crown Packaging Technology, Inc.**,  
Alsip, IL (US)

(\*\*) Term: **15 Years**

(21) Appl. No.: **29/526,830**

(22) Filed: **May 13, 2015**

(51) **LOC (10) Cl.** ..... **09-01**

(52) **U.S. Cl.**

USPC ..... **D9/438**

(58) **Field of Classification Search**

USPC ..... D9/500, 502, 516, 530, 537, 539, 542,  
D9/549, 763-783; 215/381-385; 220/660,  
220/669, 675; D7/601, 602, 612, 615, 630

CPC ..... B65D 1/00; B65D 1/02; B65D 1/12;  
B65D 1/14; B65D 1/40; B65D  
1/44; B65D 1/023; B65D 1/0223; B65D  
1/165; B65D 1/238; B65D 1/246; B65D  
1/253; B65D 7/04; B65D 21/0209; B65D  
21/0233; B65D 25/00; B65D 25/28; B65D  
41/0457; B65D 41/17; B65D 53/06; B65D  
75/56; B65D 79/005; B65D 2501/0036;  
B65D 2543/00064; B65D  
2543/00074; B65D 2543/00083; B65D  
2543/00092; B65D 2543/00101; B65D  
2543/00111

See application file for complete search history.

(56) **References Cited**

**U.S. PATENT DOCUMENTS**

4,733,793 A \* 3/1988 Moen ..... B65D 17/165  
220/269  
5,219,257 A \* 6/1993 Koch ..... B65D 17/165  
413/17

5,632,916 A 5/1997 Lappalainen et al.  
6,105,806 A 8/2000 Stasiuk  
D444,385 S \* 7/2001 Dixon, I ..... D9/772  
6,498,318 B1 12/2002 Miller et al.  
D570,228 S \* 6/2008 van Dam ..... D9/772  
D605,060 S \* 12/2009 Reimer ..... D9/766  
D632,588 S \* 2/2011 George ..... D9/772  
D641,644 S \* 7/2011 George ..... D9/772  
D693,698 S \* 11/2013 Miller, Jr. .... D9/772  
D704,555 S \* 5/2014 Hernandez ..... D9/438  
D706,032 S \* 6/2014 Roth ..... D3/271.1  
D713,268 S \* 9/2014 Jones ..... D9/772  
D732,402 S \* 6/2015 Jones ..... D9/772  
9,187,221 B2 \* 11/2015 Ramsey ..... B65B 43/00  
9,278,776 B2 \* 3/2016 Ramsey ..... B41M 5/28  
2008/0295558 A1 \* 12/2008 Reimer ..... B21D 51/26  
72/94

(Continued)

**FOREIGN PATENT DOCUMENTS**

WO WO 2014/150647 A1 9/2014

*Primary Examiner* — Keli L Hill

(74) *Attorney, Agent, or Firm* — Baker & Hostetler LLP

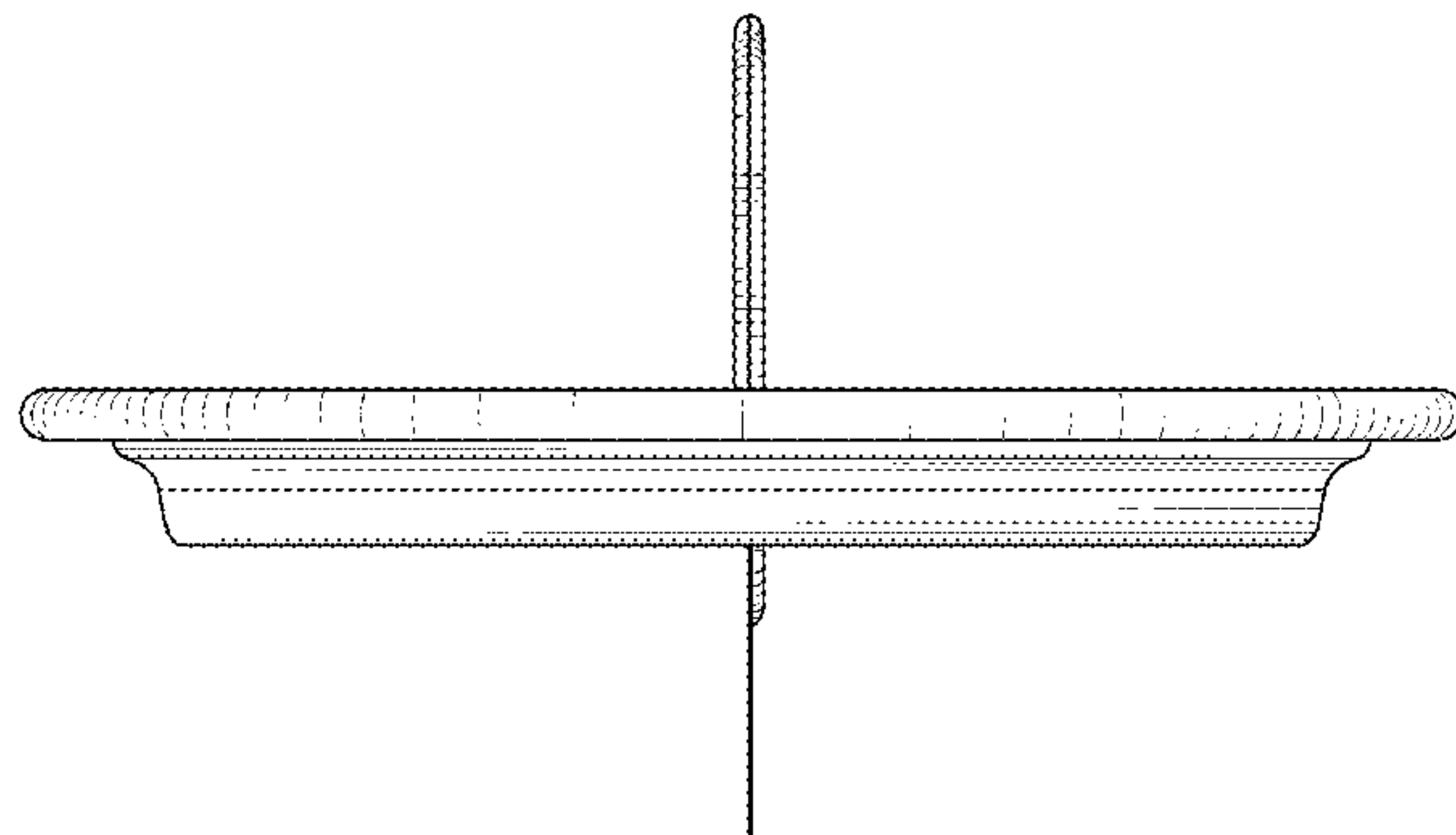
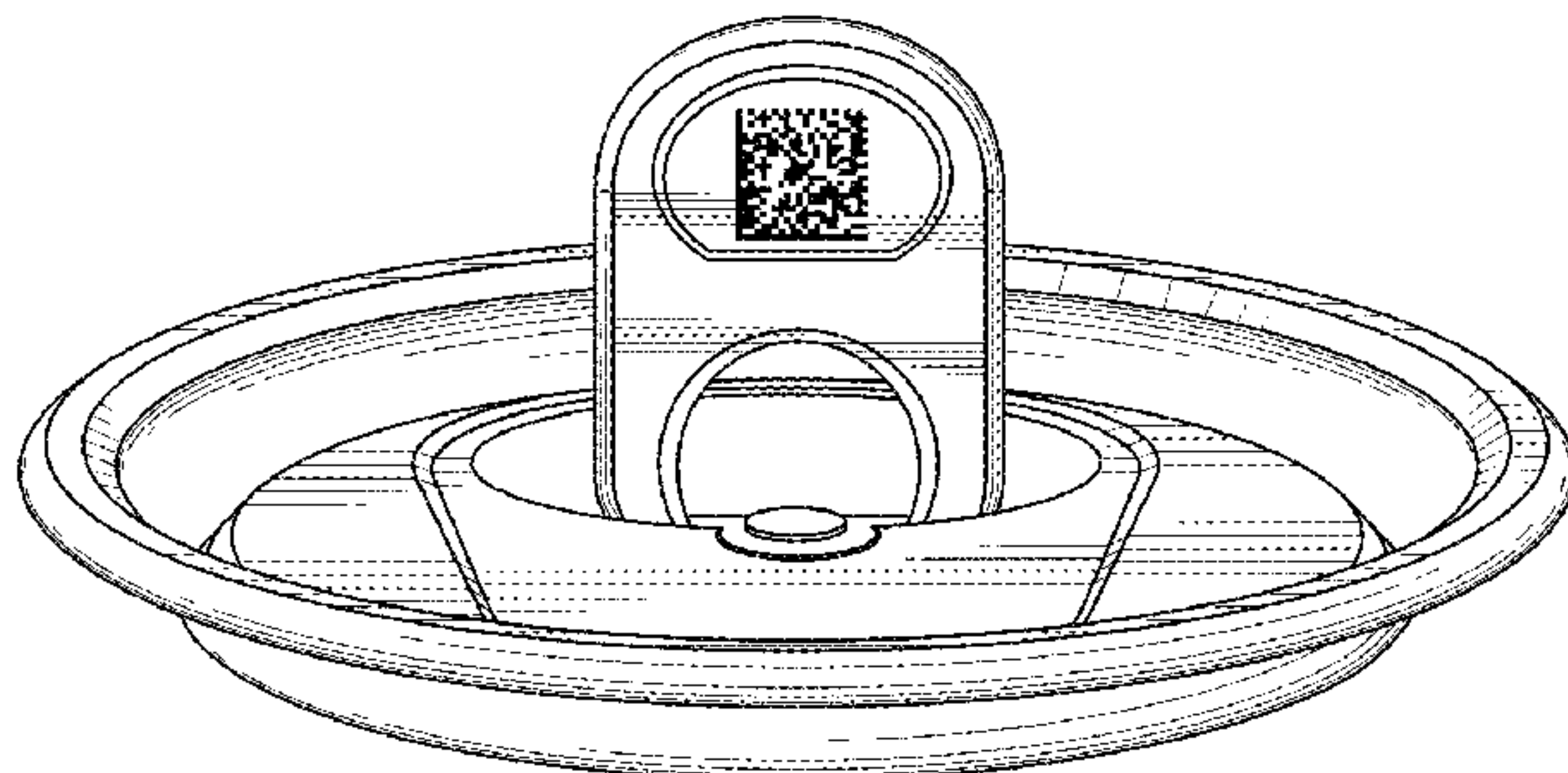
(57) **CLAIM**

I claim the ornamental design for a can end, as shown and described.

**DESCRIPTION**

FIG. 1 is a perspective view of a can end according to my new design;  
FIG. 2 is a front side elevation view thereof;  
FIG. 3 is a rear side elevation view thereof;  
FIG. 4 is a left side elevation view thereof, the left side elevation view being identical to the right side elevation view;  
FIG. 5 is top plan view thereof; and,  
FIG. 6 is a bottom plan view thereof.

**1 Claim, 4 Drawing Sheets**



(56)

**References Cited**

U.S. PATENT DOCUMENTS

2013/0075296 A1\* 3/2013 Ramsey ..... B41M 5/28  
206/459.5  
2013/0270269 A1\* 10/2013 Lewis ..... B41M 5/24  
220/270  
2014/0084003 A1 3/2014 Ramsey et al.

\* cited by examiner

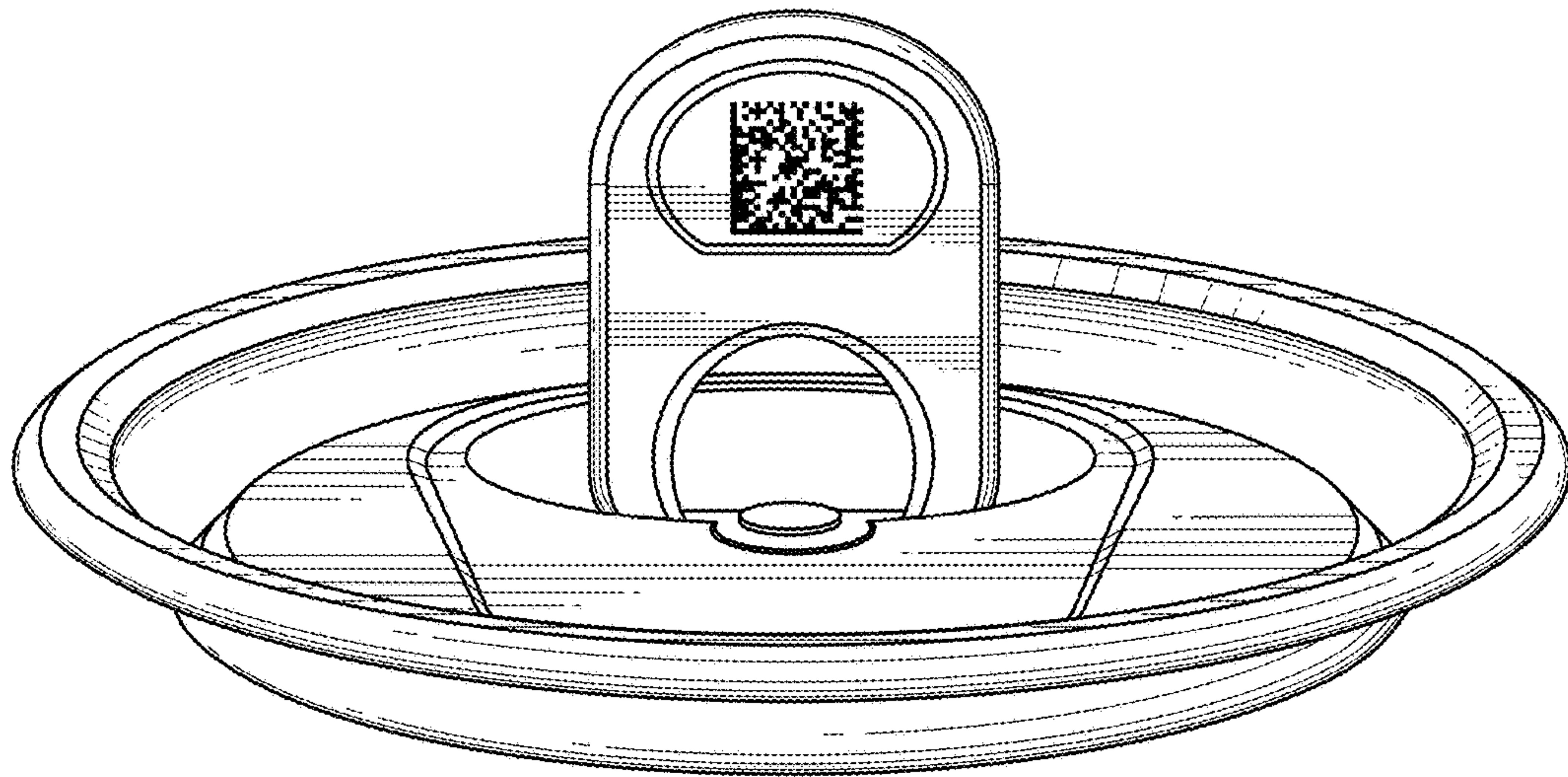


FIGURE 1

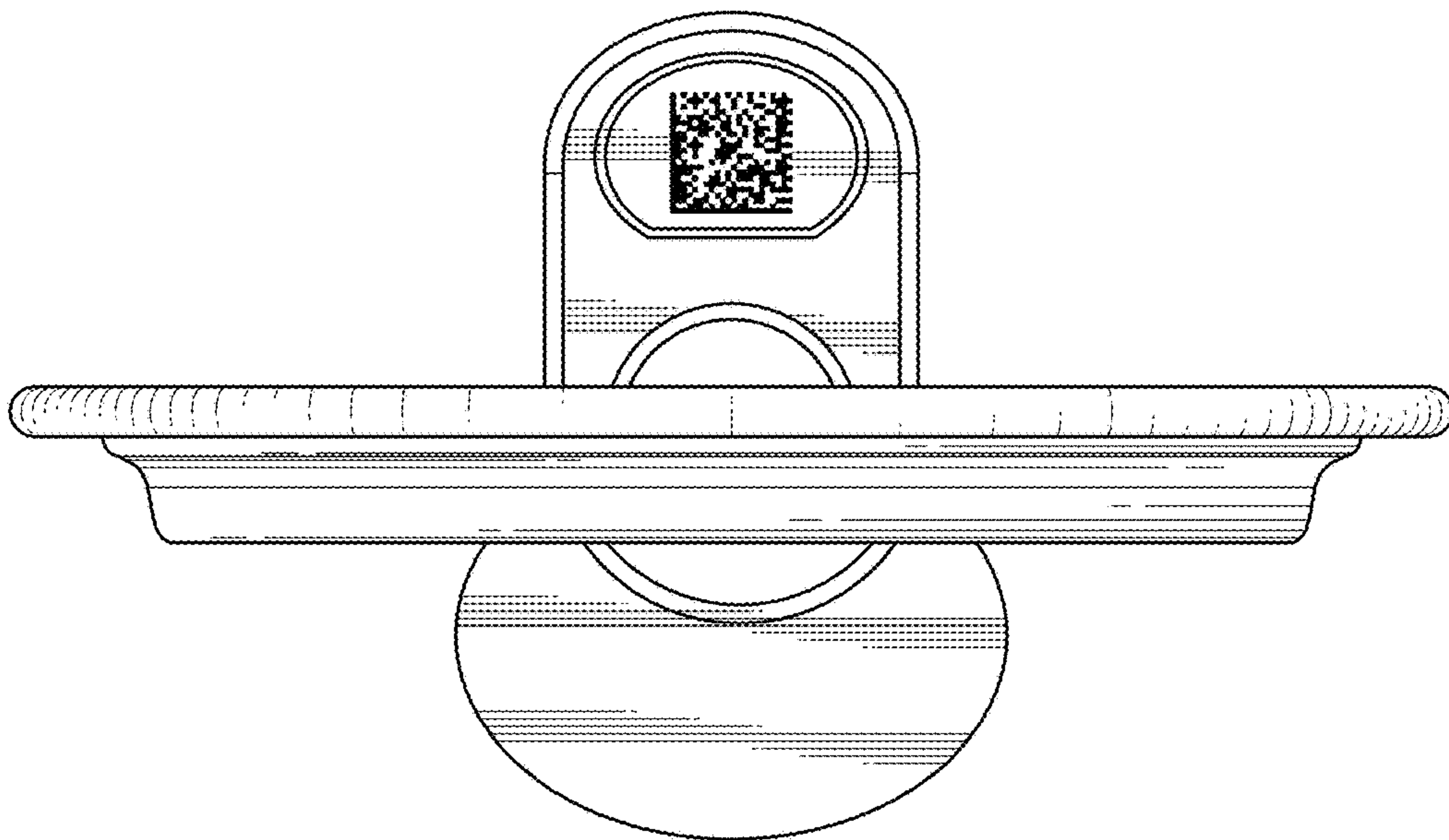


FIGURE 2

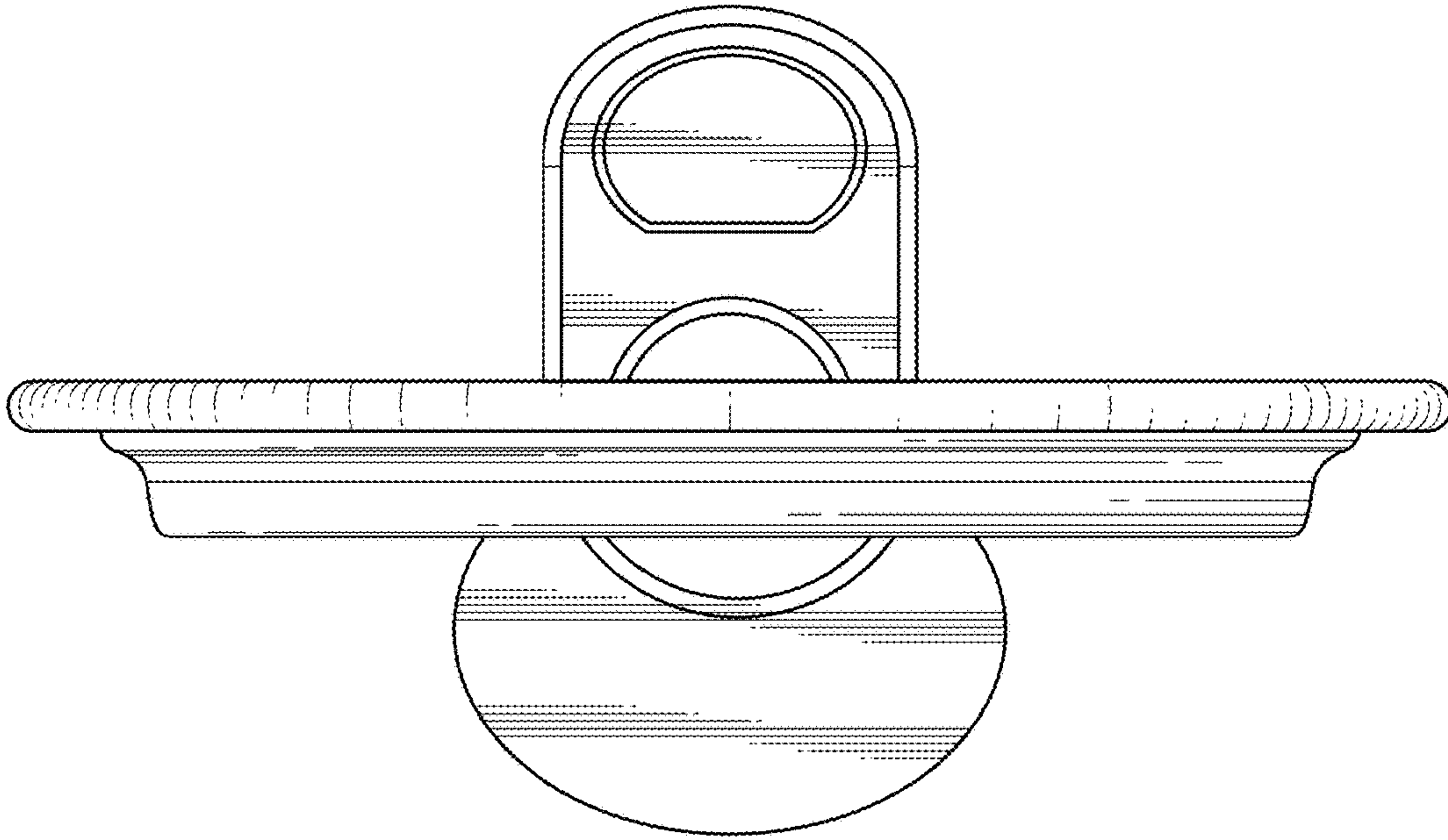


FIGURE 3

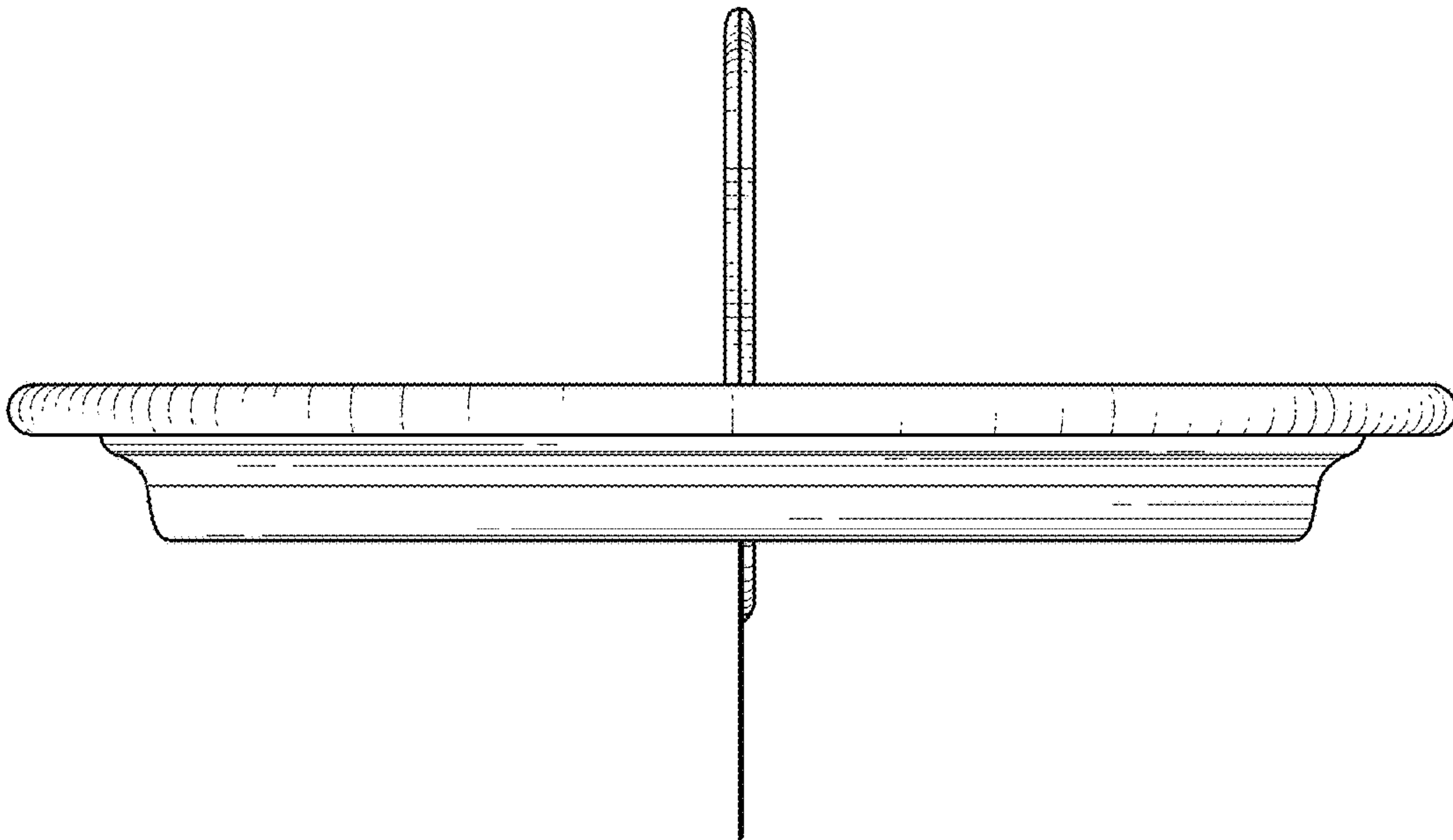


FIGURE 4



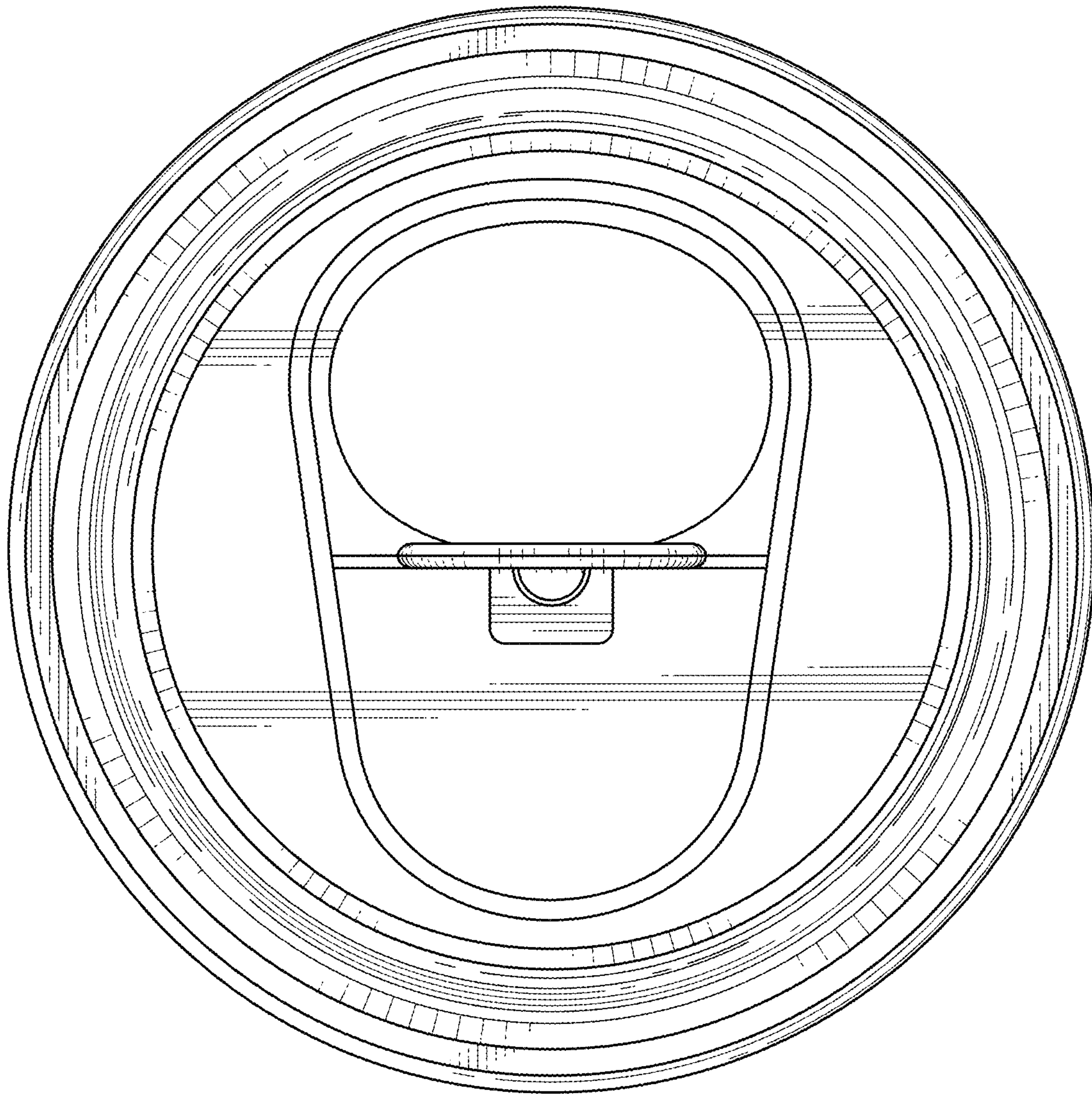


FIGURE 5

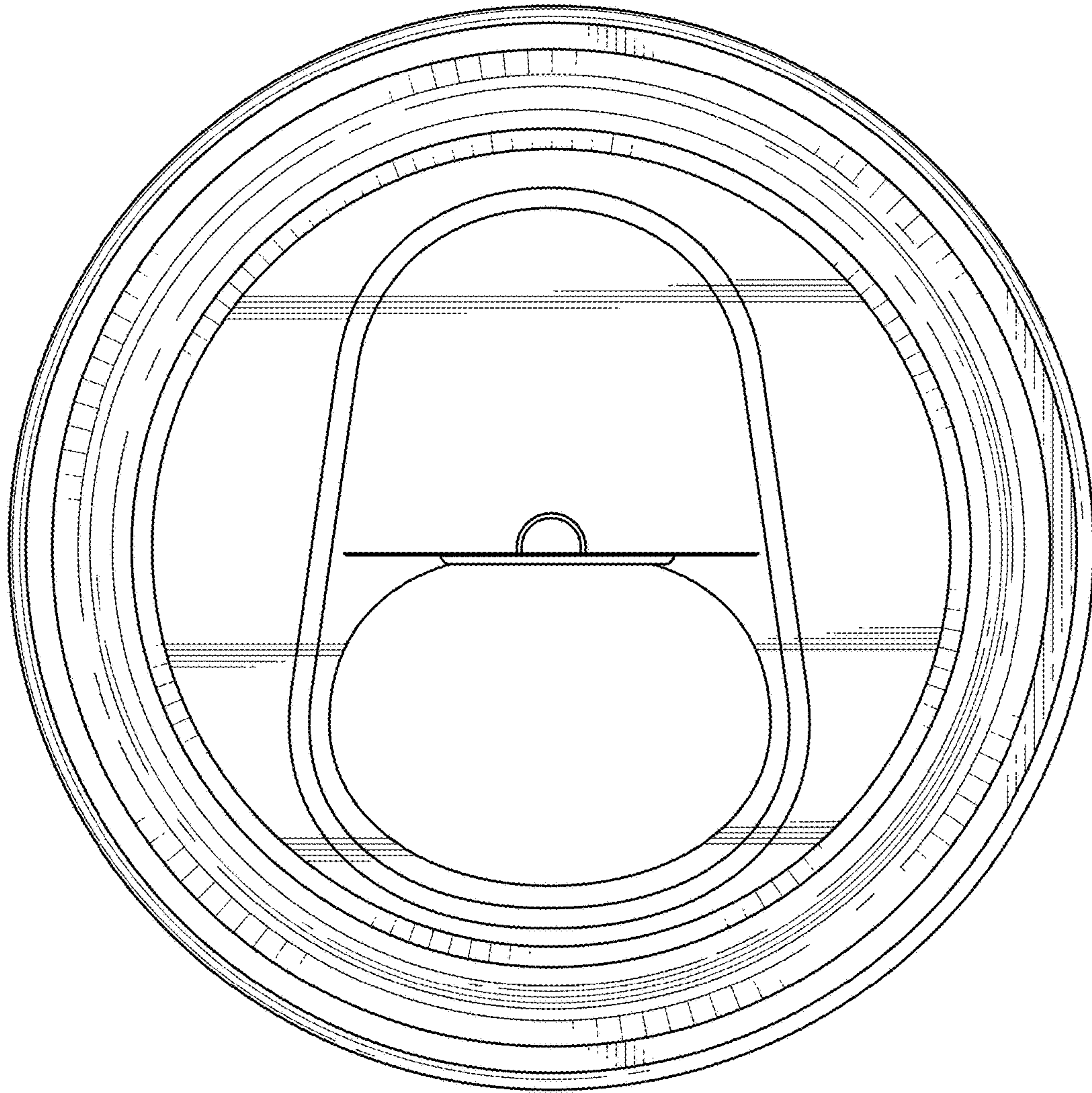


FIGURE 6