



US00D776529S

(12) **United States Design Patent**  
**Torrison et al.**

(10) **Patent No.:** **US D776,529 S**  
(45) **Date of Patent:** **\*\* Jan. 17, 2017**

- (54) **CARBONATED BEVERAGE CAP LINER**
- (71) Applicants: **Miriam Torrison**, Modesto, CA (US);  
**John Cunningham**, Tracy, CA (US);  
**Scott DeJong**, Ripon, CA (US)
- (72) Inventors: **Miriam Torrison**, Modesto, CA (US);  
**John Cunningham**, Tracy, CA (US);  
**Scott DeJong**, Ripon, CA (US)
- (73) Assignee: **G3 Enterprises, Inc.**, Modesto, CA (US)
- (\*\*) Term: **14 Years**
- (21) Appl. No.: **29/515,743**
- (22) Filed: **Jan. 26, 2015**
- (51) **LOC (10) Cl.** ..... **09-01**
- (52) **U.S. Cl.**  
USPC ..... **D9/435**
- (58) **Field of Classification Search**  
USPC ..... D9/435-436, 447, 452, 485-486, 439,  
D9/443; D23/269; D34/10; 248/99  
CPC ..... B65D 39/00; B65D 39/16; B65D 42/00;  
B65D 42/02; B65D 43/32; B65D 45/04;  
B65D 50/00; B65D 50/02; B65D 51/005;  
B65D 51/007; B65D 51/14; B65D 51/145;  
B65D 51/18; B65D 51/28; B65D 51/2807;  
B65D 53/02

See application file for complete search history.

(56) **References Cited**

**U.S. PATENT DOCUMENTS**

- 484,779 A \* 10/1892 Cone ..... B65D 39/16  
215/364
- 897,720 A \* 9/1908 Davis ..... B65D 51/28  
220/521

- 2,294,260 A \* 8/1942 Wheaton ..... B65D 51/18  
215/277
- D222,905 S \* 2/1972 Kinney ..... D9/439
- 3,682,349 A \* 8/1972 Cospen ..... B65D 17/506  
220/200
- 3,850,330 A \* 11/1974 Koontz ..... B65D 51/145  
215/215
- D348,137 S \* 6/1994 Campbell ..... D21/444
- D352,455 S \* 11/1994 Balson ..... D9/434
- D641,239 S \* 7/2011 Ramsey ..... D7/387
- D641,622 S \* 7/2011 Fields ..... D7/387
- D641,623 S \* 7/2011 Fields ..... D7/387
- D643,718 S \* 8/2011 Fields ..... D9/435
- D655,797 S \* 3/2012 Muramatsu ..... D23/269
- D669,781 S \* 10/2012 Fields ..... D9/435
- D751,380 S \* 3/2016 Torrison ..... D9/416
- D751,381 S \* 3/2016 Torrison ..... D9/416
- D751,382 S \* 3/2016 Torrison ..... D9/416
- D751,383 S \* 3/2016 Torrison ..... D9/416
- D751,384 S \* 3/2016 Torrison ..... D9/416
- D759,483 S \* 6/2016 Jalet ..... D9/443
- 2004/0182862 A1 \* 9/2004 Scott ..... B65D 51/28  
220/212

(Continued)

*Primary Examiner* — Robin V. Webster

*Assistant Examiner* — Rachel Voorhies

(74) *Attorney, Agent, or Firm* — Steptoe & Johnson LLP

(57) **CLAIM**

What is claimed is a carbonated beverage cap liner, as shown and described.

**DESCRIPTION**

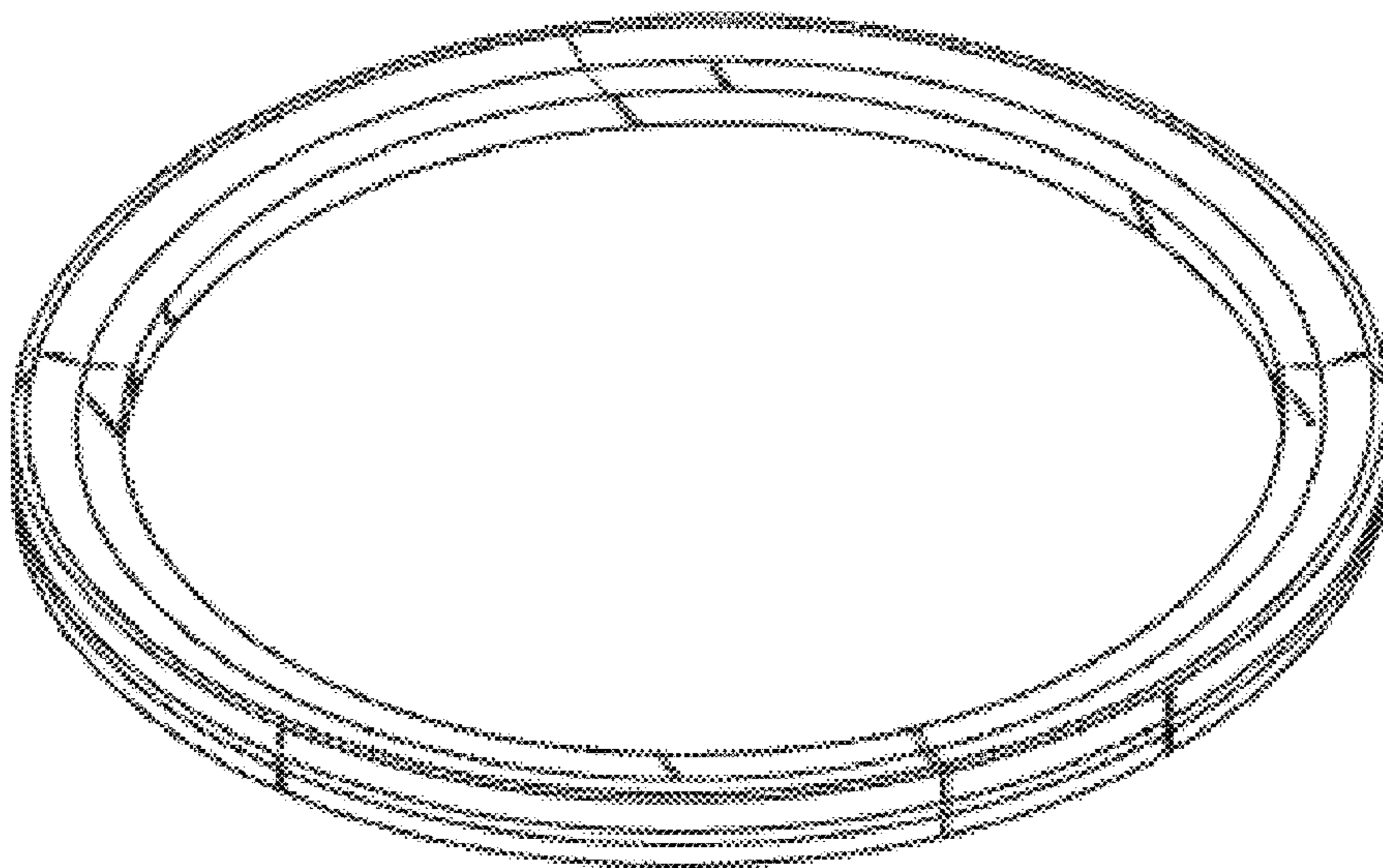
FIG. 1 is a perspective view of a carbonated beverage cap liner;

FIG. 2 is a side view of the carbonated beverage cap liner;

FIG. 3 is a cross-sectional view of the carbonated beverage cap liner taken along line 3-3 in FIG. 4; and,

FIG. 4 is a top view of the carbonated beverage cap liner.

**1 Claim, 1 Drawing Sheet**



(56)

**References Cited**

U.S. PATENT DOCUMENTS

2006/0151422 A1\* 7/2006 Manley ..... B65D 39/08  
215/341  
2008/0190803 A1\* 8/2008 Blumenschein ..... B65D 43/022  
206/509  
2010/0126992 A1\* 5/2010 Phillips ..... B65D 51/007  
220/212  
2014/0361027 A1\* 12/2014 Cote, Sr. .... B65D 39/16  
220/804  
2015/0210440 A1\* 7/2015 Torrison ..... B65D 41/145  
215/350  
2015/0360832 A1\* 12/2015 Washeleski ..... B65D 51/145  
215/260  
2016/0120343 A1\* 5/2016 Liang ..... A47G 19/2266  
220/303  
2016/0130051 A1\* 5/2016 Lee ..... B65D 51/007  
220/256.1

\* cited by examiner

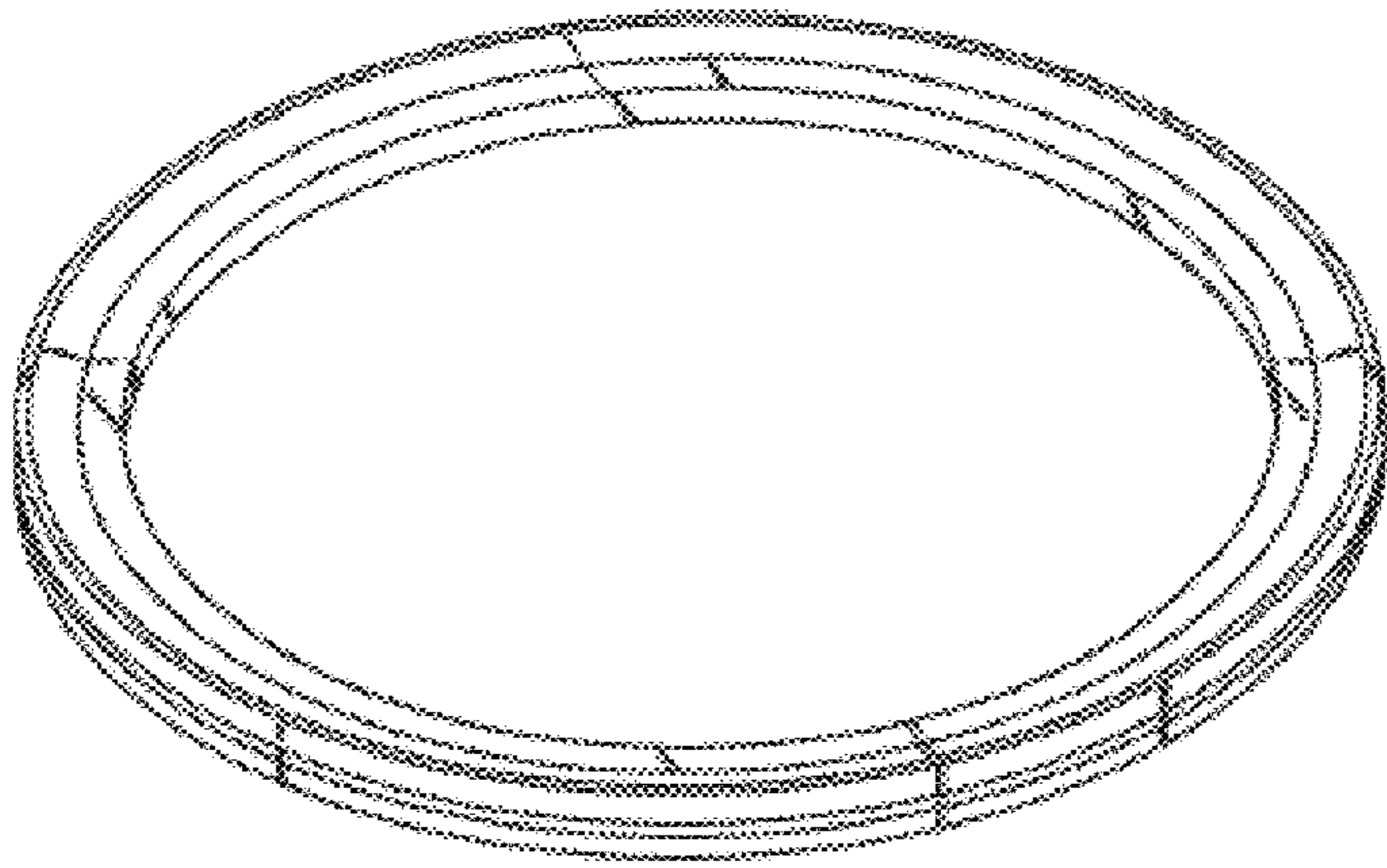


FIG. 1



FIG. 2



FIG. 3

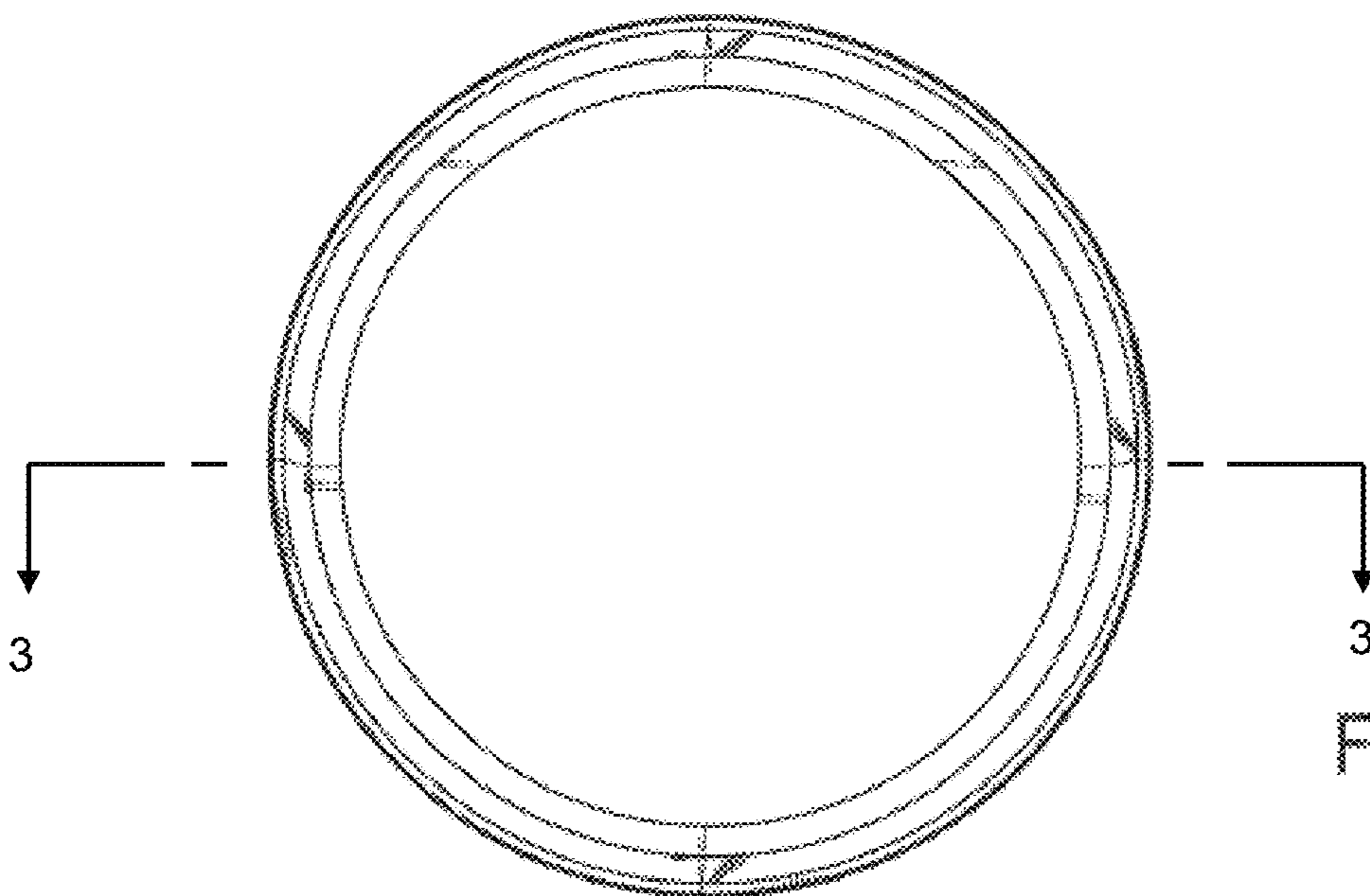


FIG. 4