



US00D776526S

(12) **United States Design Patent** (10) **Patent No.:** **US D776,526 S**
Hendricks et al. (45) **Date of Patent:** **** Jan. 17, 2017**

(54) **CONTAINER FOR A CONFECTIONERY**

(71) Applicant: **The Hershey Company**, Hershey, PA (US)

(72) Inventors: **William J. Hendricks**, Elizabethtown, PA (US); **Jonathon K. Markey**, Greensboro, NC (US); **Adam P. J. Frederick**, Greensboro, NC (US)

(73) Assignee: **The Hershey Company**, Hershey, PA (US)

(**) Term: **15 Years**

(21) Appl. No.: **29/532,187**

(22) Filed: **Jul. 2, 2015**

(51) **LOC (10) Cl.** **09-03**

(52) **U.S. Cl.**
USPC **D9/430**

(58) **Field of Classification Search**
USPC D9/430, 414, 432
CPC B65D 1/00
See application file for complete search history.

(56) **References Cited**

U.S. PATENT DOCUMENTS

3,659,756 A	5/1972	Lancaster	
4,059,201 A	11/1977	Foster	
4,361,250 A	11/1982	Foster	
D278,602 S	4/1985	Rosenstein	
4,618,924 A *	10/1986	Hinds	G05B 19/41 318/568.1
4,898,292 A	2/1990	VerWeyst et al.	
D321,137 S	10/1991	Hofmann et al.	
5,085,331 A	2/1992	Groya et al.	
5,139,181 A	8/1992	VerWeyst	

(Continued)

Primary Examiner — Cynthia Underwood
(74) *Attorney, Agent, or Firm* — Design IP

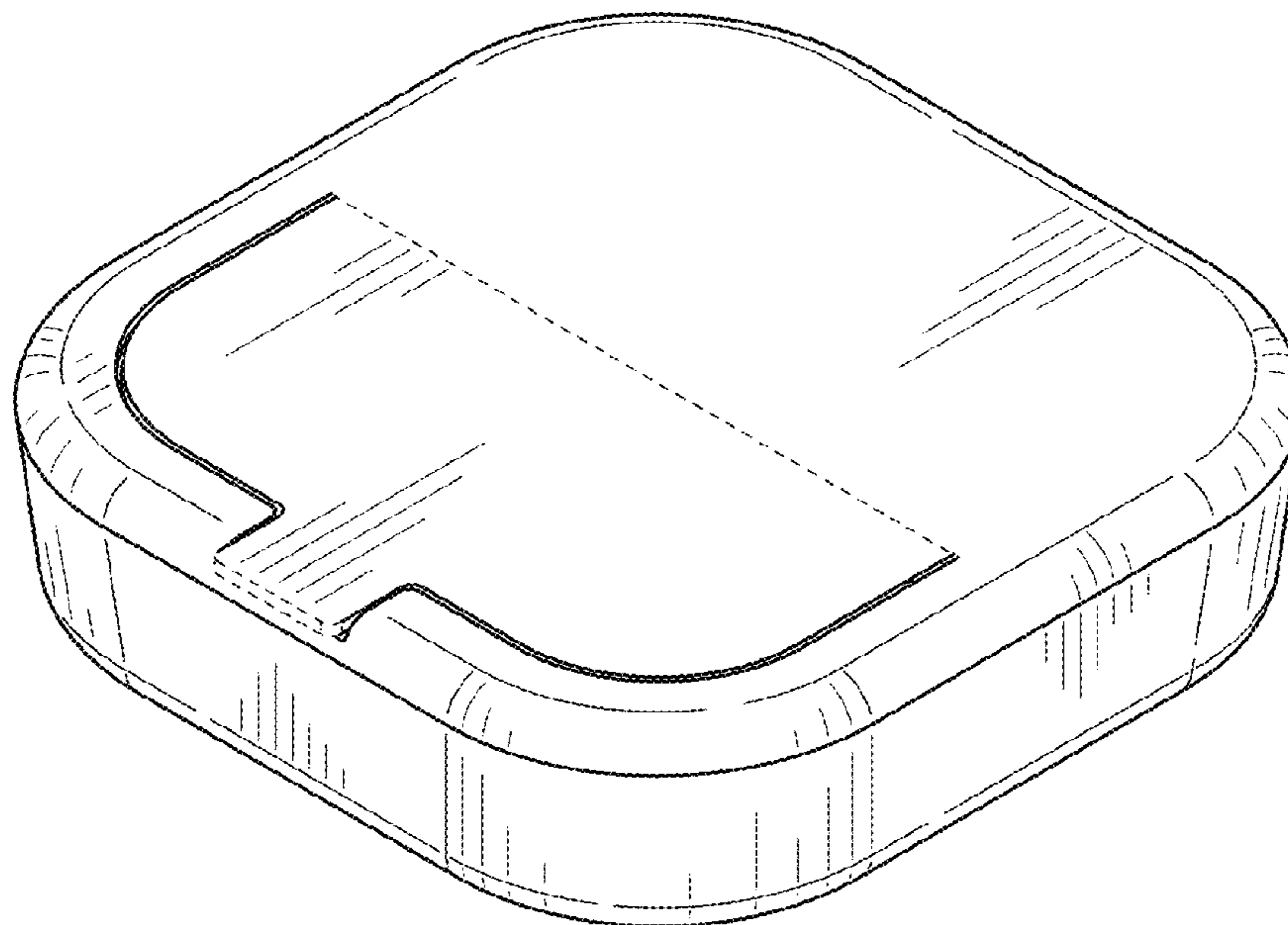
(57) **CLAIM**

The ornamental design for a container for a confectionery, as shown and described.

DESCRIPTION

FIG. 1 is a front right perspective view of a first embodiment of a container for a confectionery showing our new design; FIG. 2 is a front elevation view thereof; FIG. 3 is a rear elevation view thereof; FIG. 4 is a left side elevation view thereof; FIG. 5 is a right side elevation view thereof; FIG. 6 is a top plan view thereof; FIG. 7 is a bottom plan view thereof; FIG. 8 is a front perspective view of the container for a confectionery of FIG. 1, showing a portion of the lid portion thereof in an alternate position; FIG. 9 is a front right perspective view of a second embodiment of a container for a confectionery showing our new design; FIG. 10 is a front elevation view thereof; FIG. 11 is a rear elevation view thereof; FIG. 12 is a left side elevation view thereof; FIG. 13 is a right side elevation view thereof; FIG. 14 is a top plan view thereof; FIG. 15 is a bottom plan view thereof; and, FIG. 16 is a front right perspective view of the container for a confectionery of FIG. 9, showing a portion of the lid portion thereof in an alternate position. The broken lines represent environmental subject matter only and form no part of the claimed design. In the embodiment of FIGS. 9-16, the oblique shade lines shown on the body portion of the container for a confectionery represent translucent material that is also part of the claimed design.

1 Claim, 6 Drawing Sheets



(56)

References Cited

U.S. PATENT DOCUMENTS

5,339,993	A	8/1994	Groya	
5,565,656	A *	10/1996	Mottahed	H05K 9/0073 174/372
5,712,030	A *	1/1998	Goto	B23B 27/145 407/119
5,799,838	A	9/1998	Miller	
D403,470	S	12/1998	Litton et al.	
5,927,535	A	7/1999	Goth	
5,947,786	A *	9/1999	Glick	A63H 33/04 446/85
D431,458	S	10/2000	Bried et al.	
D448,668	S	10/2001	Baerenwald et al.	
D456,713	S	5/2002	Bried et al.	
D462,613	S	9/2002	Bried et al.	
D464,886	S	10/2002	Bried et al.	
D531,032	S *	10/2006	Zaidman	D9/449
D603,698	S	11/2009	VerWeyst	
D756,236	S *	5/2016	DePaz	D9/418
D756,562	S *	5/2016	Ghiotti	D27/186
D757,538	S *	5/2016	Tam	D9/432

* cited by examiner

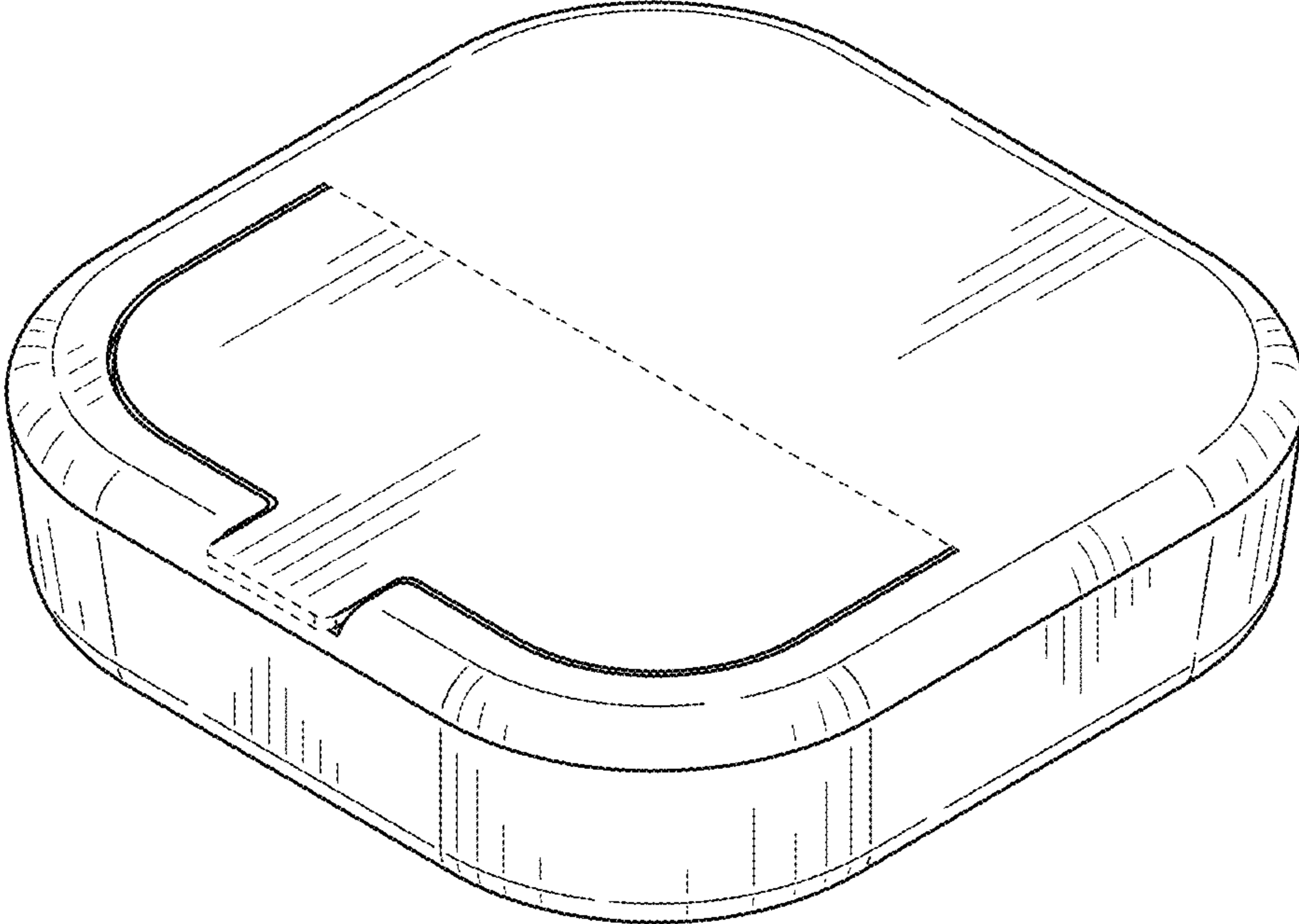


FIG. 1

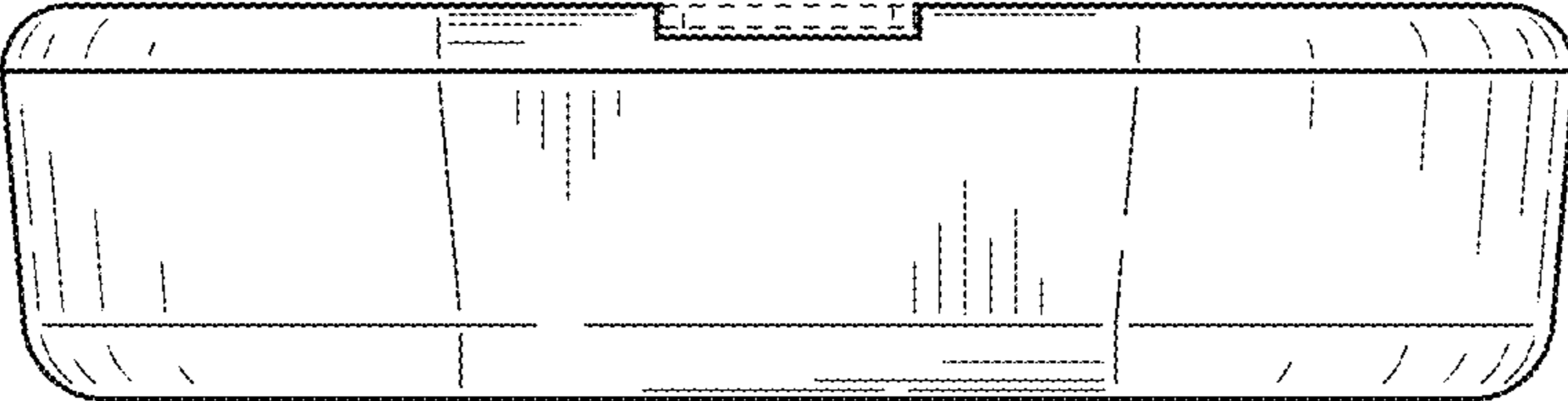


FIG. 2

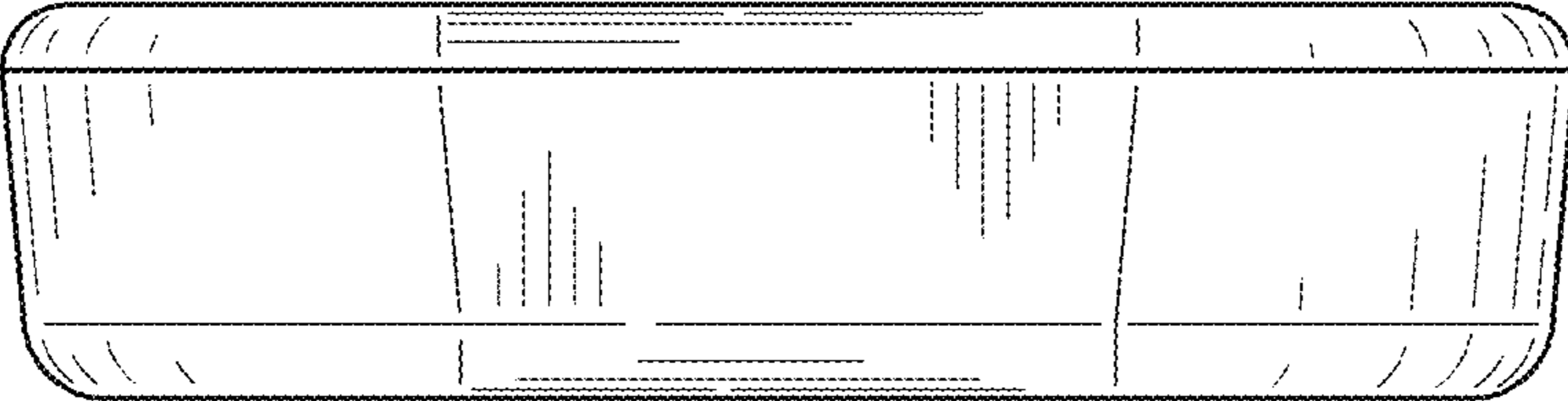


FIG. 3

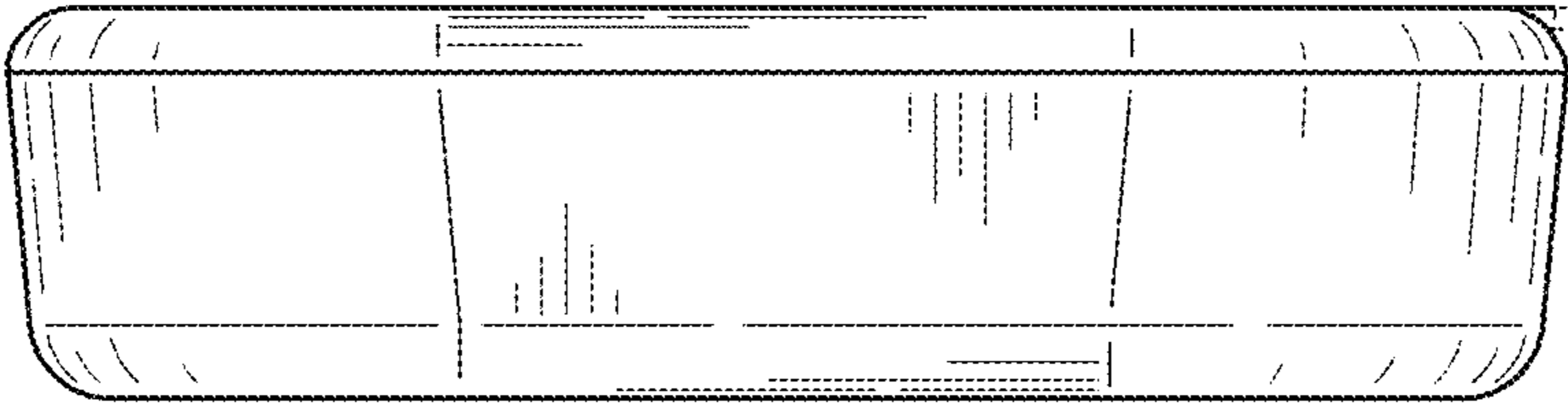


FIG. 4

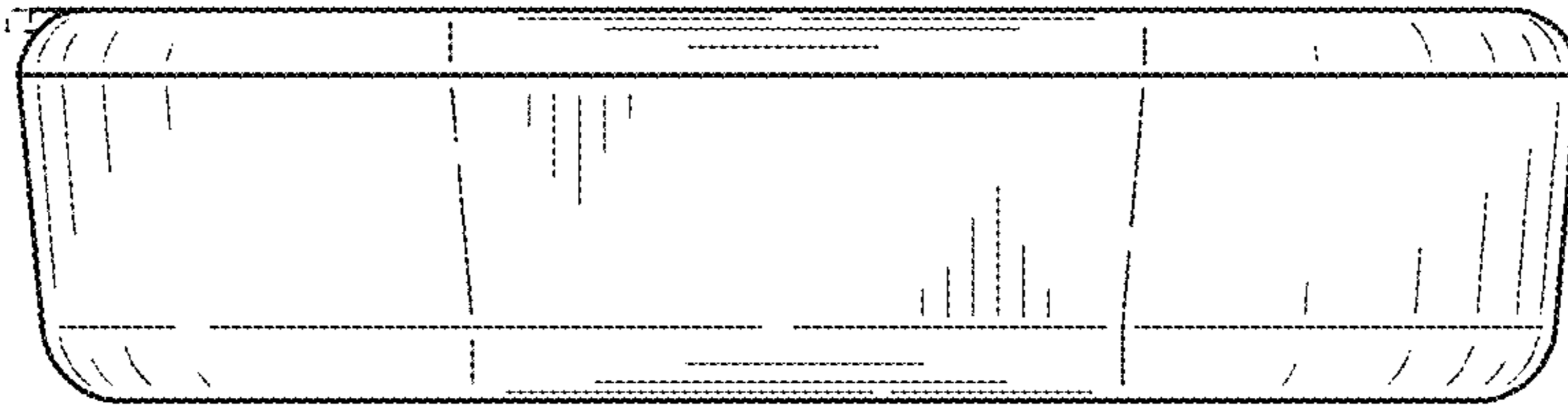


FIG. 5

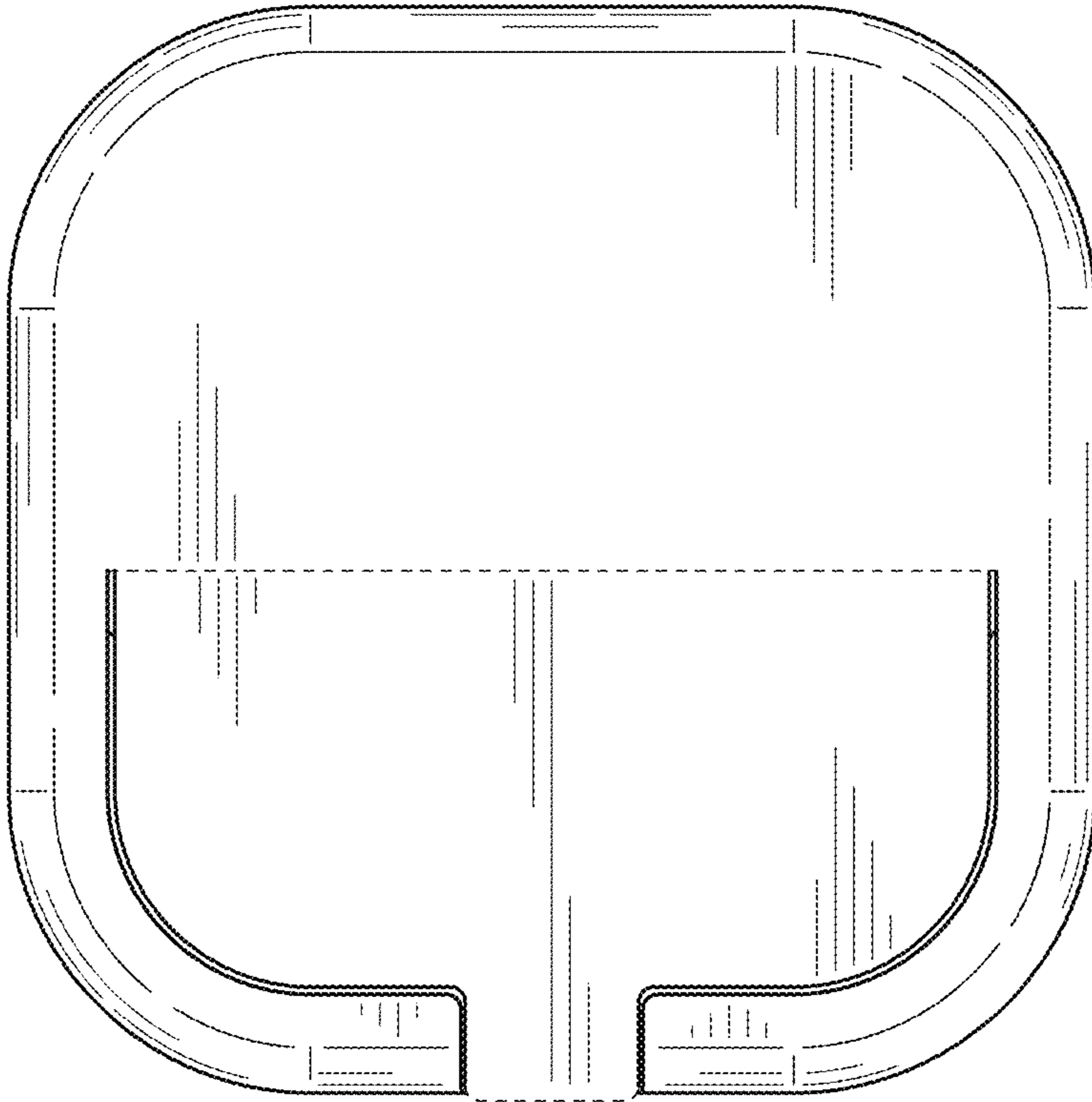


FIG. 6

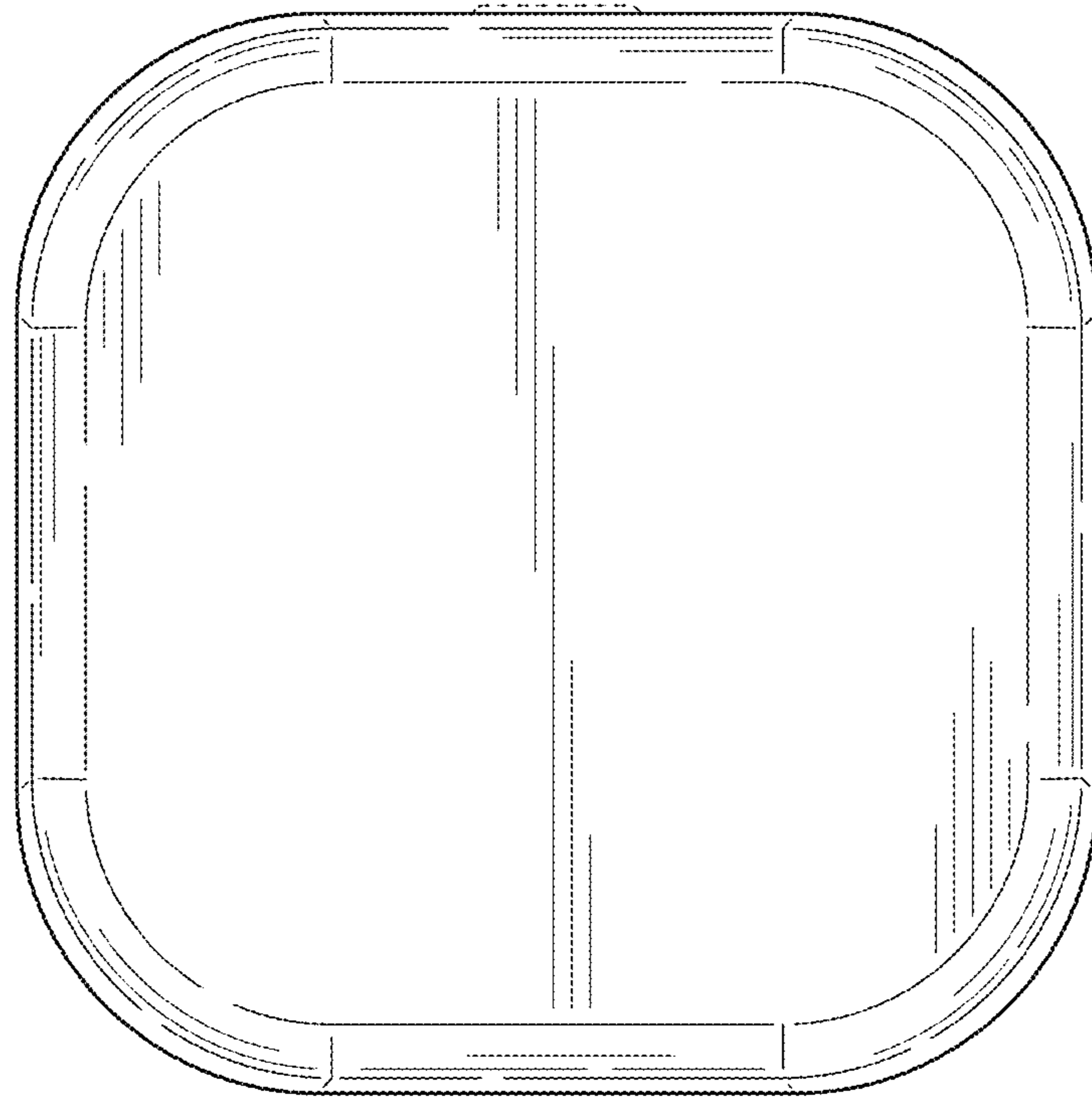


FIG. 7

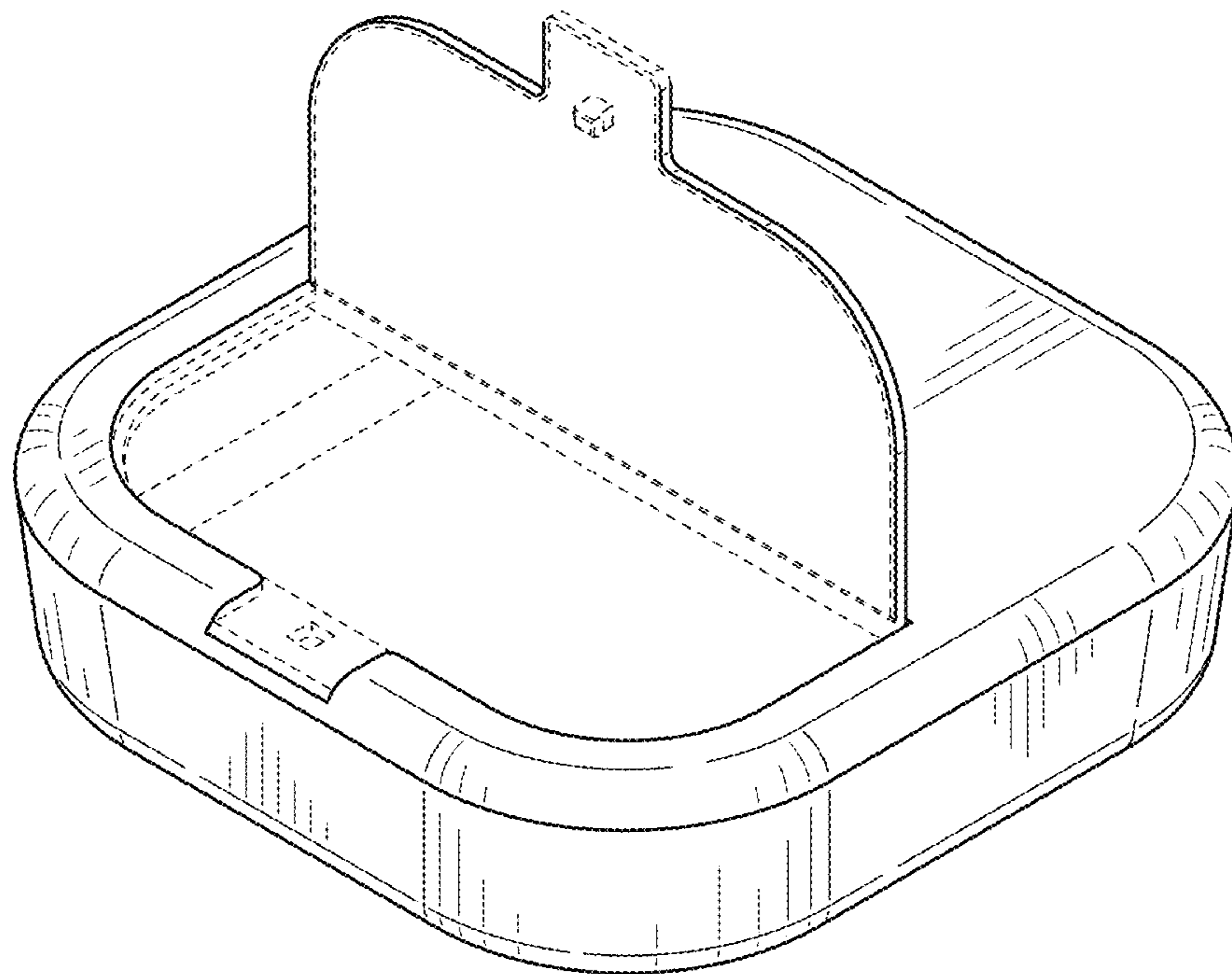


FIG. 8

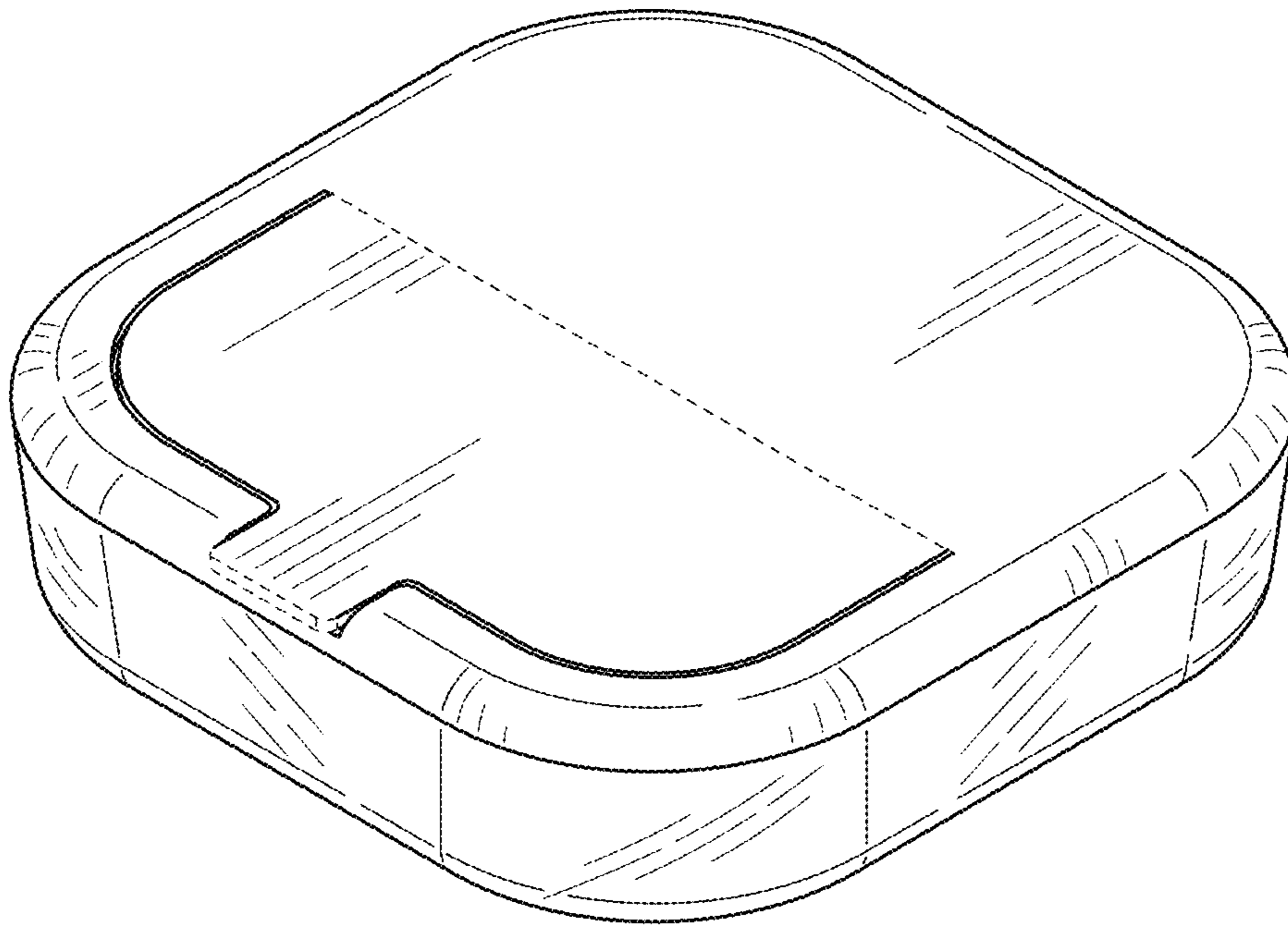


FIG. 9

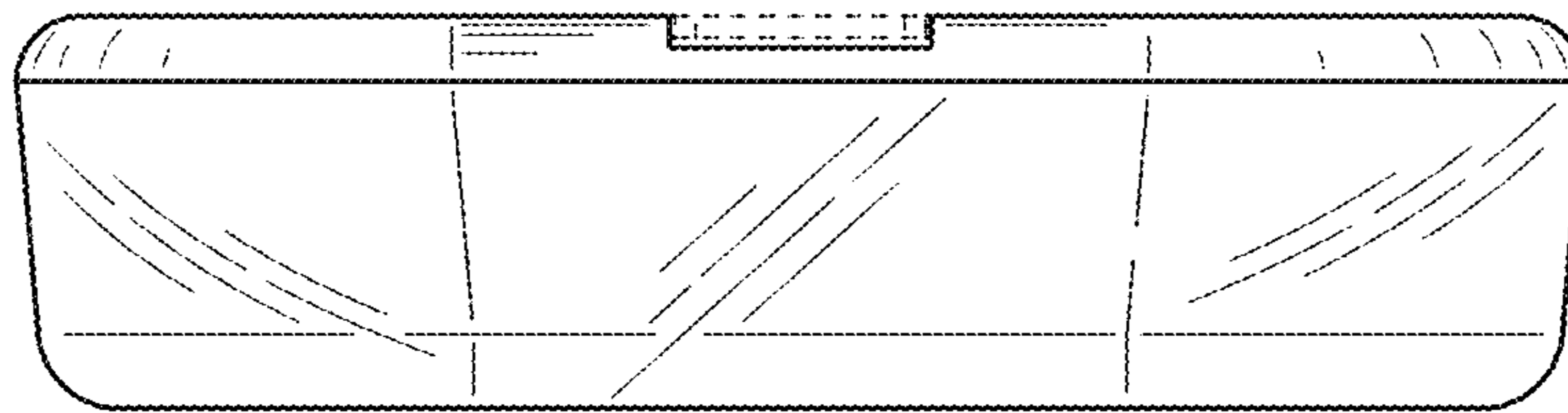


FIG. 10

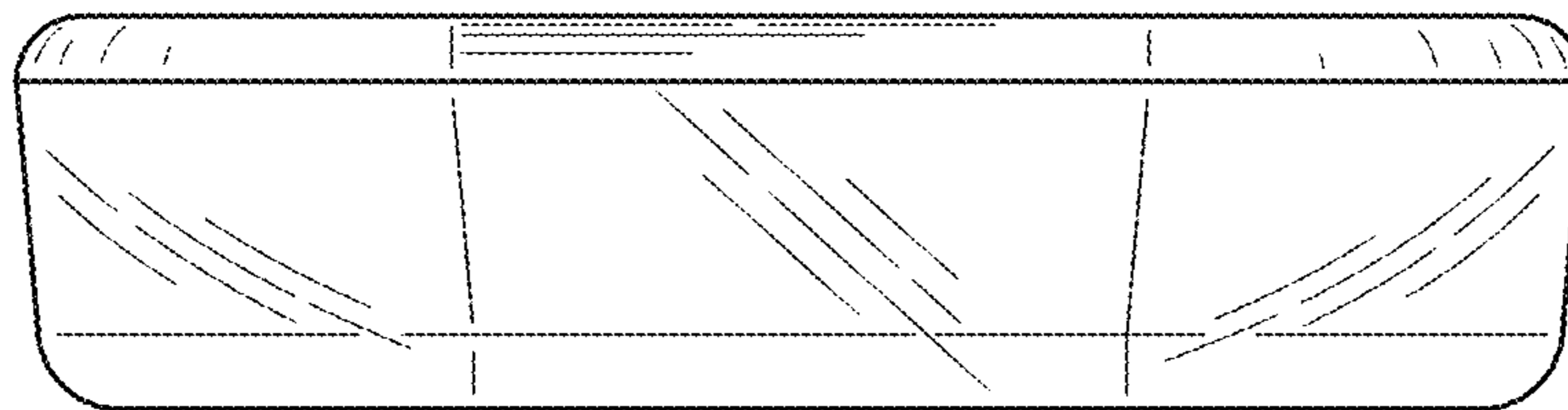


FIG. 11

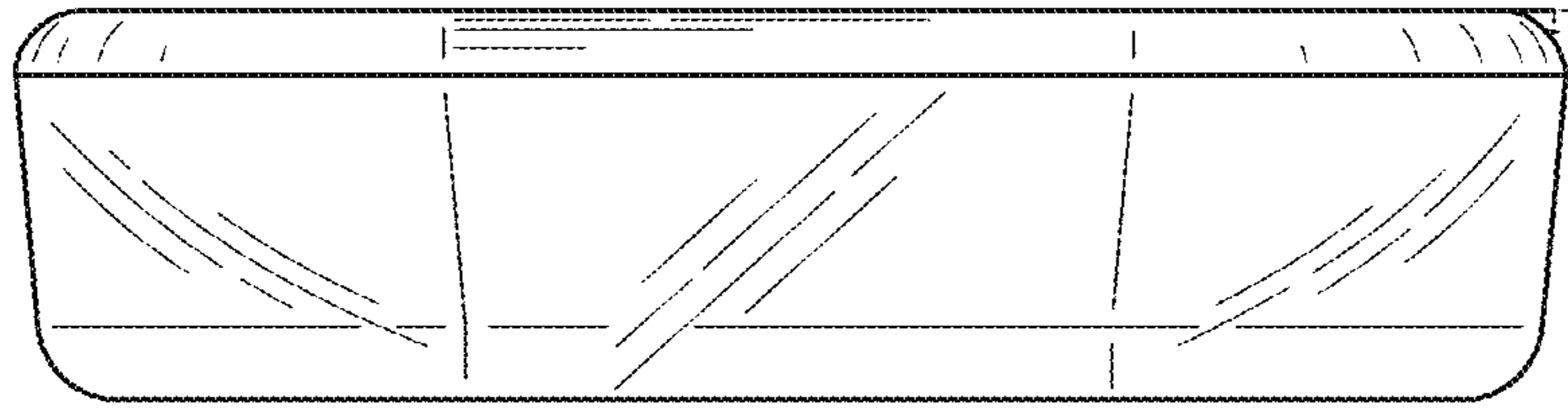


FIG. 12

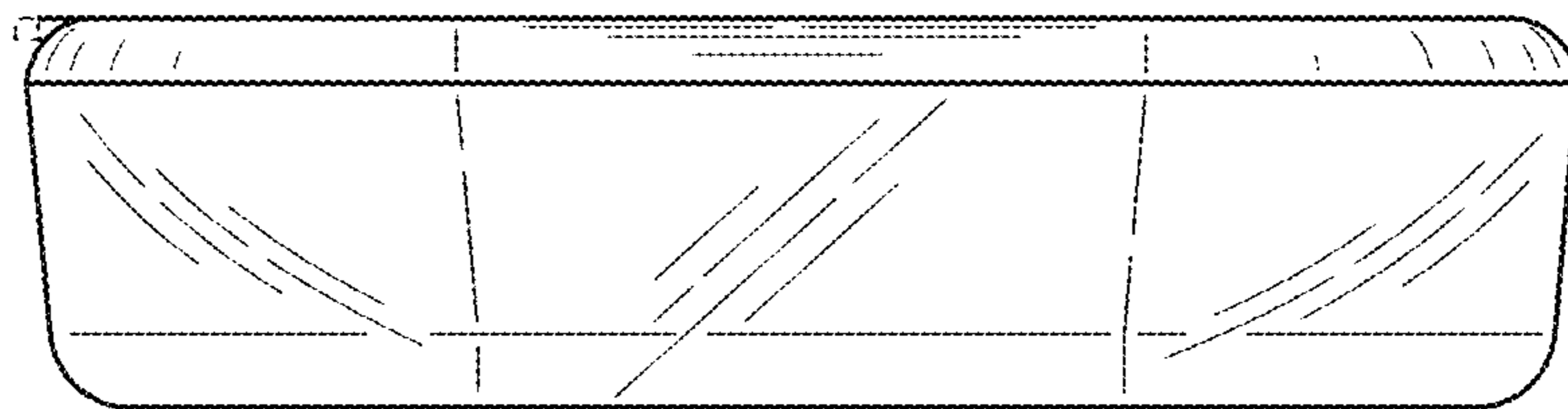


FIG. 13

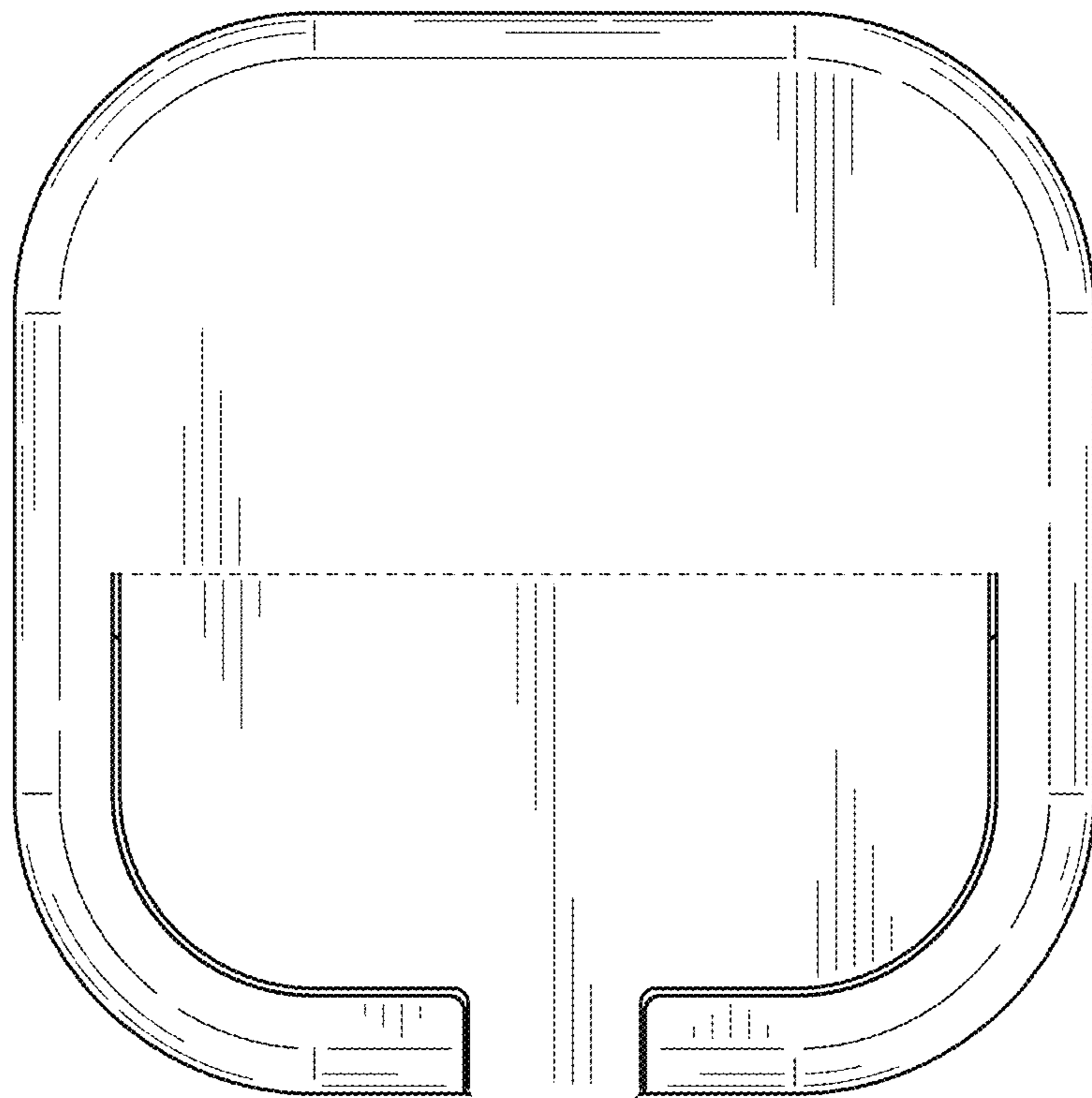


FIG. 14

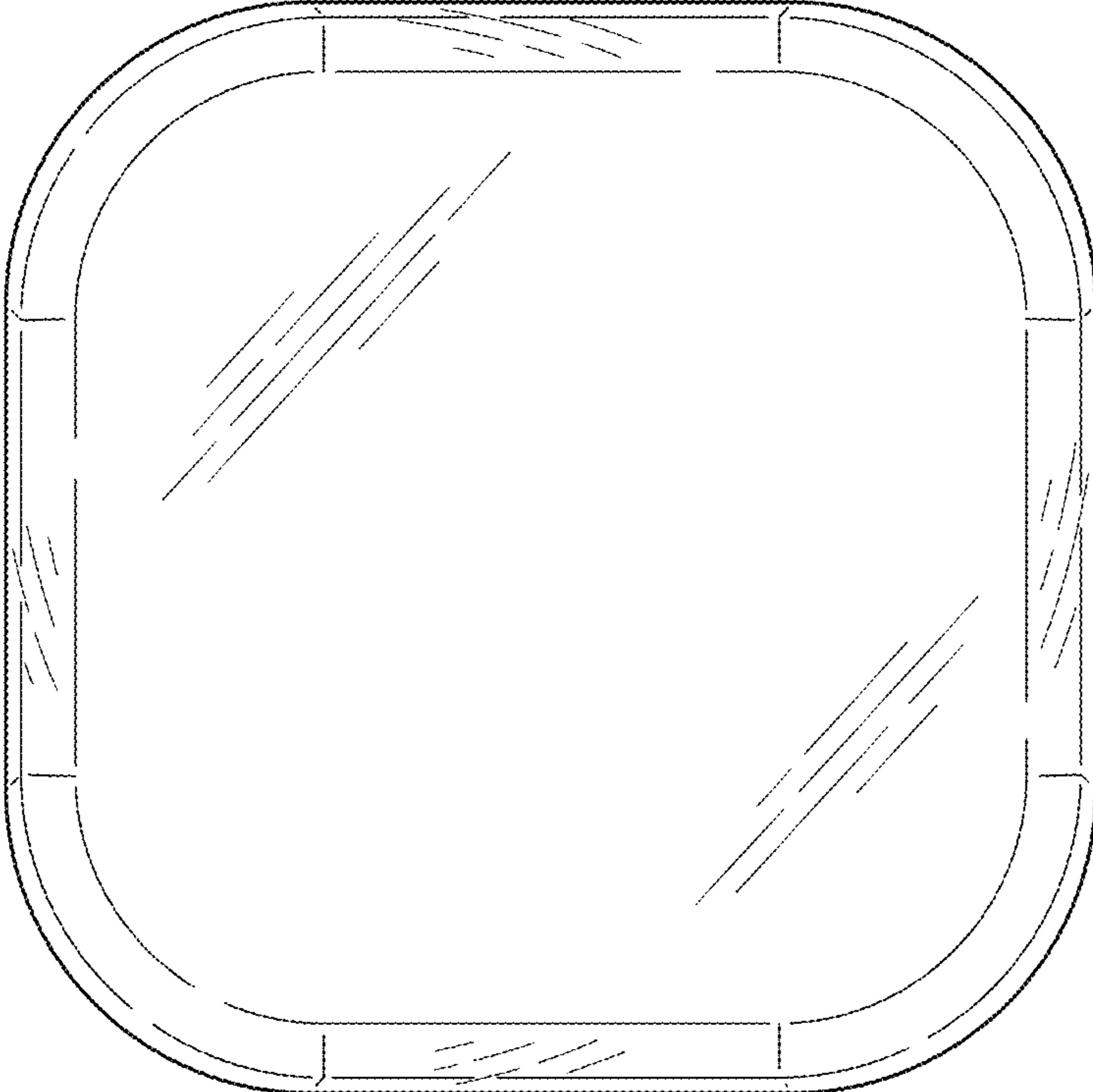


FIG. 15

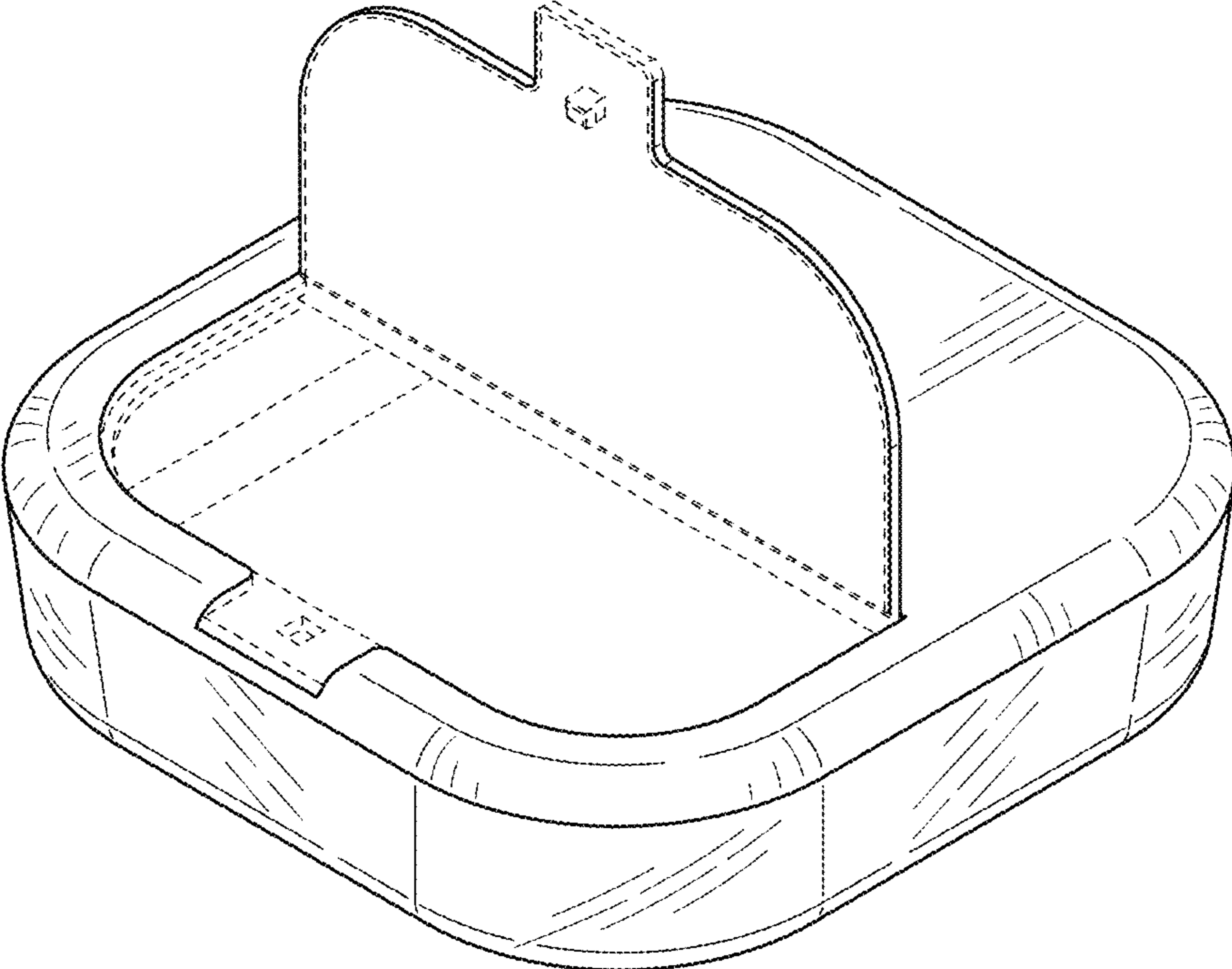


FIG. 16